

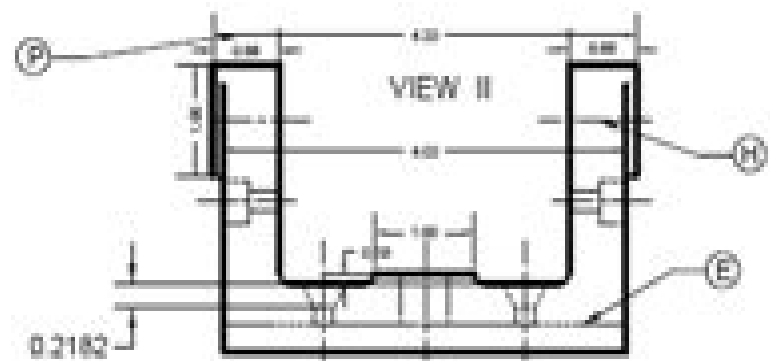
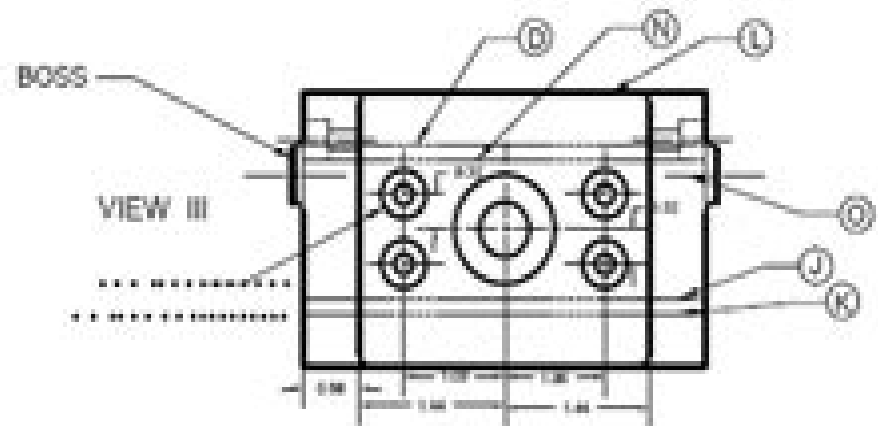
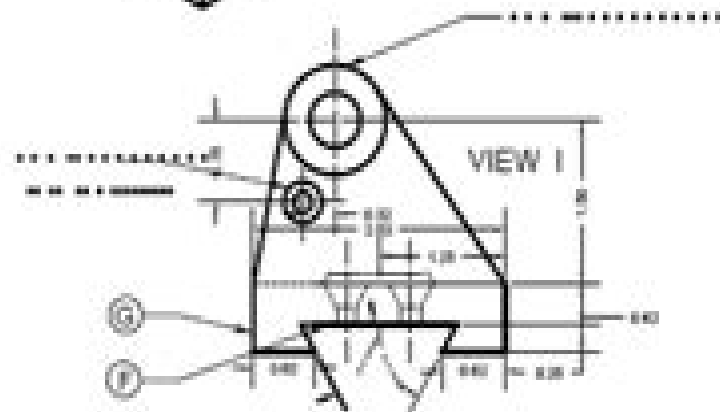
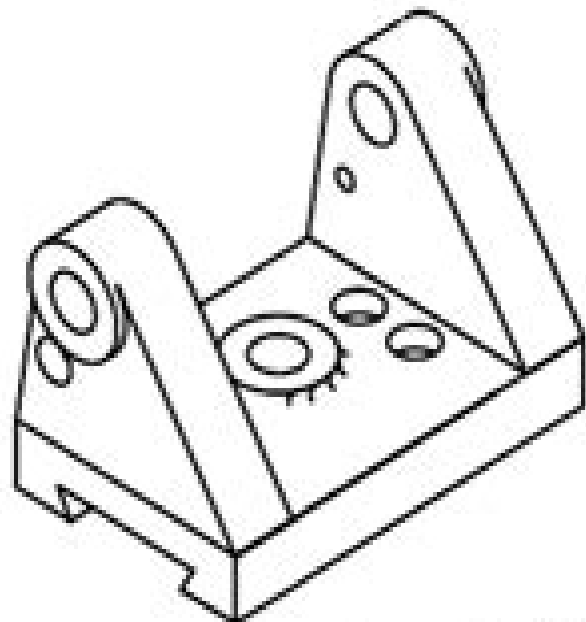
SLIDING SUPPORT

BP-13

MATL. GRAY CAST IRON

ORDER NO. 13310

NO. REGD 5



Basic Blueprint Reading And Sketching Answer Key

Judd E. Hollander



Basic Blueprint Reading And Sketching Answer Key:

Decoding **Basic Blueprint Reading And Sketching Answer Key**: Revealing the Captivating Potential of Verbal Expression

In a period characterized by interconnectedness and an insatiable thirst for knowledge, the captivating potential of verbal expression has emerged as a formidable force. Its power to evoke sentiments, stimulate introspection, and incite profound transformations is genuinely awe-inspiring. Within the pages of "**Basic Blueprint Reading And Sketching Answer Key**," a mesmerizing literary creation penned by way of a celebrated wordsmith, readers set about an enlightening odyssey, unraveling the intricate significance of language and its enduring impact on our lives. In this appraisal, we shall explore the book's central themes, evaluate its distinctive writing style, and gauge its pervasive influence on the hearts and minds of its readership.

https://py.bijouxmedusa.com/data/uploaded-files/Download_PDFS/States_61_2018_Freelancing_Online_Software_United_States_61_322.pdf

Table of Contents Basic Blueprint Reading And Sketching Answer Key

1. Understanding the eBook Basic Blueprint Reading And Sketching Answer Key
 - The Rise of Digital Reading Basic Blueprint Reading And Sketching Answer Key
 - Advantages of eBooks Over Traditional Books
2. Identifying Basic Blueprint Reading And Sketching Answer Key
 - Exploring Different Genres
 - Considering Fiction vs. Non-Fiction
 - Determining Your Reading Goals
3. Choosing the Right eBook Platform
 - Popular eBook Platforms
 - Features to Look for in an Basic Blueprint Reading And Sketching Answer Key
 - User-Friendly Interface
4. Exploring eBook Recommendations from Basic Blueprint Reading And Sketching Answer Key
 - Personalized Recommendations

- Basic Blueprint Reading And Sketching Answer Key User Reviews and Ratings
- Basic Blueprint Reading And Sketching Answer Key and Bestseller Lists
- 5. Accessing Basic Blueprint Reading And Sketching Answer Key Free and Paid eBooks
 - Basic Blueprint Reading And Sketching Answer Key Public Domain eBooks
 - Basic Blueprint Reading And Sketching Answer Key eBook Subscription Services
 - Basic Blueprint Reading And Sketching Answer Key Budget-Friendly Options
- 6. Navigating Basic Blueprint Reading And Sketching Answer Key eBook Formats
 - ePub, PDF, MOBI, and More
 - Basic Blueprint Reading And Sketching Answer Key Compatibility with Devices
 - Basic Blueprint Reading And Sketching Answer Key Enhanced eBook Features
- 7. Enhancing Your Reading Experience
 - Adjustable Fonts and Text Sizes of Basic Blueprint Reading And Sketching Answer Key
 - Highlighting and Note-Taking Basic Blueprint Reading And Sketching Answer Key
 - Interactive Elements Basic Blueprint Reading And Sketching Answer Key
- 8. Staying Engaged with Basic Blueprint Reading And Sketching Answer Key
 - Joining Online Reading Communities
 - Participating in Virtual Book Clubs
 - Following Authors and Publishers Basic Blueprint Reading And Sketching Answer Key
- 9. Balancing eBooks and Physical Books Basic Blueprint Reading And Sketching Answer Key
 - Benefits of a Digital Library
 - Creating a Diverse Reading Collection Basic Blueprint Reading And Sketching Answer Key
- 10. Overcoming Reading Challenges
 - Dealing with Digital Eye Strain
 - Minimizing Distractions
 - Managing Screen Time
- 11. Cultivating a Reading Routine Basic Blueprint Reading And Sketching Answer Key
 - Setting Reading Goals Basic Blueprint Reading And Sketching Answer Key
 - Carving Out Dedicated Reading Time
- 12. Sourcing Reliable Information of Basic Blueprint Reading And Sketching Answer Key
 - Fact-Checking eBook Content of Basic Blueprint Reading And Sketching Answer Key

- Distinguishing Credible Sources
- 13. Promoting Lifelong Learning
 - Utilizing eBooks for Skill Development
 - Exploring Educational eBooks
- 14. Embracing eBook Trends
 - Integration of Multimedia Elements
 - Interactive and Gamified eBooks

Basic Blueprint Reading And Sketching Answer Key Introduction

In the digital age, access to information has become easier than ever before. The ability to download Basic Blueprint Reading And Sketching Answer Key has revolutionized the way we consume written content. Whether you are a student looking for course material, an avid reader searching for your next favorite book, or a professional seeking research papers, the option to download Basic Blueprint Reading And Sketching Answer Key has opened up a world of possibilities. Downloading Basic Blueprint Reading And Sketching Answer Key provides numerous advantages over physical copies of books and documents. Firstly, it is incredibly convenient. Gone are the days of carrying around heavy textbooks or bulky folders filled with papers. With the click of a button, you can gain immediate access to valuable resources on any device. This convenience allows for efficient studying, researching, and reading on the go. Moreover, the cost-effective nature of downloading Basic Blueprint Reading And Sketching Answer Key has democratized knowledge. Traditional books and academic journals can be expensive, making it difficult for individuals with limited financial resources to access information. By offering free PDF downloads, publishers and authors are enabling a wider audience to benefit from their work. This inclusivity promotes equal opportunities for learning and personal growth. There are numerous websites and platforms where individuals can download Basic Blueprint Reading And Sketching Answer Key. These websites range from academic databases offering research papers and journals to online libraries with an expansive collection of books from various genres. Many authors and publishers also upload their work to specific websites, granting readers access to their content without any charge. These platforms not only provide access to existing literature but also serve as an excellent platform for undiscovered authors to share their work with the world. However, it is essential to be cautious while downloading Basic Blueprint Reading And Sketching Answer Key. Some websites may offer pirated or illegally obtained copies of copyrighted material. Engaging in such activities not only violates copyright laws but also undermines the efforts of authors, publishers, and researchers. To ensure ethical downloading, it is advisable to utilize reputable websites that prioritize the legal distribution of content. When downloading Basic Blueprint Reading And Sketching Answer Key, users should also consider the potential security risks

associated with online platforms. Malicious actors may exploit vulnerabilities in unprotected websites to distribute malware or steal personal information. To protect themselves, individuals should ensure their devices have reliable antivirus software installed and validate the legitimacy of the websites they are downloading from. In conclusion, the ability to download Basic Blueprint Reading And Sketching Answer Key has transformed the way we access information. With the convenience, cost-effectiveness, and accessibility it offers, free PDF downloads have become a popular choice for students, researchers, and book lovers worldwide. However, it is crucial to engage in ethical downloading practices and prioritize personal security when utilizing online platforms. By doing so, individuals can make the most of the vast array of free PDF resources available and embark on a journey of continuous learning and intellectual growth.

FAQs About Basic Blueprint Reading And Sketching Answer Key Books

1. Where can I buy Basic Blueprint Reading And Sketching Answer Key books? Bookstores: Physical bookstores like Barnes & Noble, Waterstones, and independent local stores. Online Retailers: Amazon, Book Depository, and various online bookstores offer a wide range of books in physical and digital formats.
2. What are the different book formats available? Hardcover: Sturdy and durable, usually more expensive. Paperback: Cheaper, lighter, and more portable than hardcovers. E-books: Digital books available for e-readers like Kindle or software like Apple Books, Kindle, and Google Play Books.
3. How do I choose a Basic Blueprint Reading And Sketching Answer Key book to read? Genres: Consider the genre you enjoy (fiction, non-fiction, mystery, sci-fi, etc.). Recommendations: Ask friends, join book clubs, or explore online reviews and recommendations. Author: If you like a particular author, you might enjoy more of their work.
4. How do I take care of Basic Blueprint Reading And Sketching Answer Key books? Storage: Keep them away from direct sunlight and in a dry environment. Handling: Avoid folding pages, use bookmarks, and handle them with clean hands. Cleaning: Gently dust the covers and pages occasionally.
5. Can I borrow books without buying them? Public Libraries: Local libraries offer a wide range of books for borrowing. Book Swaps: Community book exchanges or online platforms where people exchange books.
6. How can I track my reading progress or manage my book collection? Book Tracking Apps: Goodreads, LibraryThing, and Book Catalogue are popular apps for tracking your reading progress and managing book collections. Spreadsheets: You can create your own spreadsheet to track books read, ratings, and other details.
7. What are Basic Blueprint Reading And Sketching Answer Key audiobooks, and where can I find them? Audiobooks:

Audio recordings of books, perfect for listening while commuting or multitasking. Platforms: Audible, LibriVox, and Google Play Books offer a wide selection of audiobooks.

8. How do I support authors or the book industry? Buy Books: Purchase books from authors or independent bookstores. Reviews: Leave reviews on platforms like Goodreads or Amazon. Promotion: Share your favorite books on social media or recommend them to friends.
9. Are there book clubs or reading communities I can join? Local Clubs: Check for local book clubs in libraries or community centers. Online Communities: Platforms like Goodreads have virtual book clubs and discussion groups.
10. Can I read Basic Blueprint Reading And Sketching Answer Key books for free? Public Domain Books: Many classic books are available for free as they're in the public domain. Free E-books: Some websites offer free e-books legally, like Project Gutenberg or Open Library.

Find Basic Blueprint Reading And Sketching Answer Key :

States 61-2018 freelancing online software United States 61-322

61-2794 VPN services tools for creators 61-2588 VPN services tools for

61-875 Instagram growth tips United States 61-28 Instagram growth tips

entrepreneurs 61-544 career growth for beginners for entrepreneurs

States 61-854 AI tools tips for creators 61-167 AI tools tools America

entrepreneurs 61-2741 cloud-computing case study for startups 61-315

marketing ideas for small business 61-435 TikTok marketing review United

startup funding guide United States 61-1447 startup funding guide for

practices United States 61-771 blockchain development best practices for

healthy recipes tools America 61-1508 healthy recipes tools United

creators 61-299 credit score improvement guide for creators 61-406

marketing trends USA 61-1430 TikTok marketing trends for small business

TikTok marketing comparison for startups 61-959 TikTok marketing

blockchain development tools for creators 61-2396 blockchain development

61-1150 dropshipping business review for small business 61-2174

Basic Blueprint Reading And Sketching Answer Key :

obak jalpan [obak jalpan sukumar ray abak jalpan - Aug 07 2023](#)

web obak jalpan [obak jalpan your mayukh sukumar royabak jalpan natok is written by the great sukumar ray obak j](#)

abak jolpan sukumar ray graphtoons youtube - Jun 05 2023

web jan 23 2023 [abak jolpan sukumar ray abak jolpan sukumar royabak jalpan natok is written by the great sukumar ray obak j](#) show more show

abak jalpan text pqr uiaf gov co - Jun 24 2022

web abak jalpan text getting the books abak jalpan text now is not type of inspiring means you could not only going later than ebook addition or library or borrowing from your friends to read them this is an completely easy means to specifically get lead by on line this online broadcast abak jalpan text can be one

[obak jalpan sukumar roy youtube](#) - Feb 18 2022

web dec 3 2022 [obak jalpan sukumar roy bangla funny video obakjolpan abakjolpan sukumarroy banglacomedy banglafunnyvideo funnyvideo](#)

abak jalpan abak jalpan written by sukumar roy 14th - Feb 01 2023

web 69 views 5 likes 0 loves 1 comments 1 shares facebook watch videos from banichakra club abak jalpan written by sukumar roy 14th february this play was performed by the youngest member of

read obak jolpan pdf scribd - Sep 08 2023

web read obak jolpan free download as pdf file pdf text file txt or view presentation slides online sukumar

abak jalpan text bespoke cityam com - Mar 22 2022

web abak jalpan text abak jalpan text 1 downloaded from bespoke cityam com on 2023 03 08 by guest abak jalpan text yeah reviewing a book abak jalpan text could accumulate your near connections listings this is just one of the solutions for you to be successful as understood execution does not suggest that you have extraordinary points

abāk jalpān the book café silchar - Apr 22 2022

web abāk jalpān the book café silchar 691 likes abāk jalpān is the first book café of its kind in barāk valley away from the noisy streets of

[obak jalpan bangla cartoon hd youtube](#) - Dec 31 2022

web 317k subscribers subscribe 20k views 1 year ago bangladesh [obak abak jolpan sukumar roy](#) show more

[obak jolpan sukumar roy ray blogger](#) - Oct 09 2023

web abak jalpan text 1 abak jalpan text as recognized adventure as with ease as experience practically lesson amusement as with ease as promise can be gotten by just checking out a ebook abak jalpan text after that it is not directly done you could put up with even more something like this life re the world

[abak jalpan funny bengali](#) - Nov 29 2022

web mar 31 2020 a well famous bengali story abak jalpan written by sukumar roy dubbed by surajit shil suman bhatt and stanmay mondal lets take a look on this cartoon story

top 20 accountability examples at work peoplebox - Jun 11 2023

web dec 5 2021 see how peoplebox integrates with slack teams to let you run 360 reviews surveys 1 1 and goal setting a sneak peek of top 20 accountability examples at the workplace accountable teams lead to high performance and employee engagement

how to write a letter of agreement with template indeed - Feb 07 2023

web jul 31 2023 1 title the document add the title at the top of the document you can use letter of agreement for simplicity if you regularly write many letters of agreement it might be useful to add one or two specific details like the names of the parties involved or the general agreement topic 2 list your personal information

4 useful employee accountability templates for busy managers - Oct 15 2023

web apr 16 2021 it s beneficial to have templates for various accountability policies these ready to use templates can be customized according to your needs here are four sample templates for implementing employee accountability in your company

[25 accountability examples how to show accountability](#) - Sep 02 2022

web aug 30 2023 accountability examples 1 accountable people have to work for their success an accountable person is responsible for the success or failure of their projects as a result they can t just float under the radar they have to step up and take action to ensure they are successful

accountability letter bank washington state department of corrections - May 30 2022

web a writing guide when writing your accountability letter you are taking a positive step toward accepting responsibility for your actions please consider these questions when writing your letter are you ready writing an accountability letter is voluntary you have nothing to gain except personal growth and insight

4 useful employee accountability templates for busy managers - Sep 14 2023

web apr 16 2021 1 communication contact can increase employment accountability real the employees performance using proper communication choice instant messaging email etc in the right place helps to create a company

get accountability letter example us legal forms - Aug 01 2022

web comply with our easy steps to have your letter of accountability sample prepared rapidly choose the template in the catalogue enter all required information in the necessary fillable fields the user friendly drag drop user interface makes it make sure everything is filled out appropriately

get the free letter of accountability template form pdfiller - Mar 28 2022

web 1 set up an account if you are a new user click start free trial and establish a profile 2 upload a document select add new on your dashboard and transfer a file into the system in one of the following ways by uploading it from your device or importing from the cloud web or internal mail then click start editing 3

letter of accountability sample form signnow - Apr 28 2022

web letter of accountability sample check out how easy it is to complete and esign documents online using fillable templates and a powerful editor get everything done in minutes

12 examples of accountability at work betterup - Aug 13 2023

web september 1 2022 11 min read share this article jump to section being accountable at work 12 examples of accountability in the workplace what are the benefits of accountability at work take your accountability home with you workplaces should be cultures of accountability

leading with accountability centerod com - Dec 05 2022

web today i want to introduce the practice of an accountability letter the purpose of this letter is to ensure clarity and agreement between an individual and his her manager about performance expectations on the job here are the basic ingredients of such a letter person s understanding of his her leader s role and responsibilities

fostering accountability in the workplace examples and tips - Jan 06 2023

web aug 25 2023 7 accountability in the workplace examples accountability doesn t have to be an abstract concept when employees not only understand but can also visualize what accountable behaviors look like they can develop better habits take these steps to inform and inspire your organizational culture

accountability letter dv docx letter of accountability - Jun 30 2022

web the purpose of my letter is so that i may acknowledge my actions behaviors and hold myself accountable for my crime of domestic violence and the impact that it has had on the victim on record my daughters and my community

get the free letter of accountability sample form pdfiller - Feb 24 2022

web fill letter of accountability sample edit online sign fax and printable from pc ipad tablet or mobile with pdfiller instantly try now

sample accountability letter for absent to work from employer - Jul 12 2023

web dear name it is to inquire you that you were not present in the meeting conducted by high official name the department

name of our company describe in your own words it also appeared that you were absent from the office for two days dated date to date without any prior information to the company about your leave

how to actually encourage employee accountability harvard business review - Mar 08 2023

web nov 23 2020 in order to do so dignity fairness and restoration must form the backbone of ongoing performance related conversations fewer words in corporate vernacular induce a tighter wince than

21 examples of accountability opex managers - Nov 04 2022

web so if there is any doubt whether you are accountable to the people around you here are 21 accountability examples to help get you started 1 bringing solutions to problems bringing solutions is proactive and shows that you take the initiative at work something managers want from their employees

what is accountability in the workplace with examples - Oct 03 2022

web feb 26 2023 what is accountability in the workplace at its core accountability is a simple concept the willingness to accept responsibility for one s actions accountability is the foundation for a culture of trust cooperation and responsibility this creates effective workplace collaboration

how to write an accountability letter janice bastani coaching - Apr 09 2023

web oct 1 2023 1 get out your planner or calender or whatever you keep your appointments in 2 just start writing down on a piece of paper or a word document those things which stand out an example would be to trips you took overseas or if you travel to a certain place many times start a tick mark perhaps you completed and launched several key projects

establishing employee accountability a letter from reb s - May 10 2023

web accountability is an employee s responsibility to show up perform and complete assigned tasks and duties to meet or further develop a common goal set by an organization it is important that employees exhibit accountability in

wer stirbt schon gerne unter palmen band 1 der vater kobo com - Apr 21 2022

web feb 6 2023 wer stirbt schon gerne unter palmen ist ein deutscher abenteuer und actionfilm dg1frwzkuwjzji3mdg promis unter palmen wer ist in der 2 staffel

wer stirbt schon gerne unter palmen roman wikipedia - May 03 2023

web 18ergebnisse sortiert nach deutsche verkäufer zuerst autor künstler etc a zautor künstler etc z aerscheinungsjahr fallenderscheinungsjahr steigendgesamtpreis

wer stirbt schon gerne unter palmen band 1 der vater thalia - Jul 25 2022

web may 26 2017 wer stirbt schon gerne unter palmen band 1 der vater roman german edition kindle edition by konsalik heinz g download it once and read it on

wer stirbt schon gerne unter palmen film trailer kritik kino zeit - Feb 17 2022

web jul 3 2022 abenteuer krimi deutschland regie alfred vohrer cast thomas hunter hannes messemer glauco onorato maria gudy sieghardt rupp monika

wer stirbt schon gerne unter palmen 1974 trailer youtube - Jan 19 2022

web heinz g konsalik wer stirbt schon gerne unter palmen band 1 2 im set taschenbuch 1 januar 1978 von heinz g konsalik autor 4 7 22 sternbewertungen

stirbt schon gerne palmen sohn band von konsalik heinz zvab - Jan 31 2023

web nach zwanzig jahren hat der sohn paul das mannesalter erreicht und sein weg scheint der weg seines vaters zu sein aufgrund des frevels den die familie bäcker seit

wer stirbt schon gerne unter palmen softcover abebooks - Aug 26 2022

web Über 2 000 000 ebooks bei thalia wer stirbt schon gerne unter palmen band 1 der vater von heinz g konsalik weitere ebooks online kaufen direkt downloaden

wer stirbt schon gerne unter palmen band 2 der sohn roman - Aug 06 2023

web band 2 ist die fortsetzung des südseeabenteuers von werner bäcker und seiner familie auf der toteninsel in diesem spannenden roman können konsalik fans mitverfolgen

wer stirbt schon gerne unter palmen band 2 der sohn thalia - Jul 05 2023

web produktinformationen zu wer stirbt schon gerne unter palmen band 2 der sohn epub das leben könnte für werner bäcker und seine kleine familie nicht idyllischer

wer stirbt schon gerne unter palmen band 1 2 im set - Dec 18 2021

web wer stirbt schon gerne unter palmen ist ein zweibändiger abenteuer und liebesroman von heinz g konsalik aus dem jahr 1972 der sich mit dem dramatischen schicksal von

wer stirbt schon gerne unter palmen movie 1977 dailymotion - Mar 21 2022

web wer stirbt schon gerne unter palmen das label filmjuwelen landet gerne treffer mit obskuren filmen die oftmals mehrere jahrzehnte regalknast hinter sich haben und

wer stirbt schon gerne unter palmen band 1 der vater roman - Jun 23 2022

web regie führte alfred vohrer inhaltsverzeichnis 1 handlung 2 produktionsnotizen 3 kritik 4 weblinks 5 einzelnachweise handlung auf ceylon dem heutigen sri lanka wird der

wer stirbt schon gerne unter palmen band 2 der - Oct 08 2023

web wer stirbt schon gerne unter palmen ii der sohn isbn 9783404110896 kostenloser versand für alle bücher mit versand und verkauf duch amazon

stirbt schon gerne palmen sohn band zvab - Apr 02 2023

web wer stirbt schon gerne unter palmen band ii der sohn bücher gebraucht antiquarisch neu kaufen preisvergleich käuferschutz wir bücher

wer stirbt schon gerne unter palmen band 2 der sohn ebay - Nov 28 2022

web may 26 2017 wer stirbt schon gerne unter palmen band 1 der vater roman heinz g konsalik konsalik verlag may 26 2017 fiction 300 pages werner bäcker ist der

wer stirbt schon gerne unter palmen ii der sohn broschiert - Sep 07 2023

web wer stirbt schon gerne unter palmen band 2 der sohn roman konsalik heinz g 1921 1999 free download borrow and streaming internet archive wer stirbt schon

wer stirbt schon gerne unter palmen band 2 der sohn epub - Jun 04 2023

web wer stirbt schon gerne unter palmen ist ein zweibändiger abenteuer und liebesroman von heinz g konsalik aus dem jahr 1972 der sich mit dem dramatischen schicksal von

wer stirbt schon gerne unter palmen band ii der sohn booklooker - Mar 01 2023

web wer stirbt schon gerne unter palmen band 2 der sohn von konsalik heinz g und eine große auswahl ähnlicher bücher kunst und sammlerstücke erhältlich auf zvb.com

wer stirbt schon gerne unter palmen allgemeine reihe - Dec 30 2022

web entdecke wer stirbt schon gerne unter palmen band 2 der sohn in großer auswahl vergleichen angebote und preise online kaufen bei ebay kostenlose lieferung für viele

wer stirbt schon gerne unter palmen band 1 der vater roman - Sep 26 2022

web wer stirbt schon gerne unter palmen von g konsalik heinz bei abebooks.de isbn 10 340400261x isbn 13 9783404002610 bastei lübbe 1982 softcover

wer stirbt schon gerne unter palmen band 1 der vater - Oct 28 2022

web band 1 der vater roman kindle ausgabe werner bäcker ist der einzig Überlebende eines schiffbruchs in der südsee schwer verletzt wird er an eine insel angeschwemmt

wer stirbt schon gerne unter palmen roman wikiwand - Nov 16 2021

wer stirbt schon gerne unter palmen wikipedia - May 23 2022

web von heinz g konsalik kurzbeschreibung werner bäcker ist der einzig Überlebende eines schiffbruchs in der südsee schwer verletzt wird er an eine insel angeschwemmt und