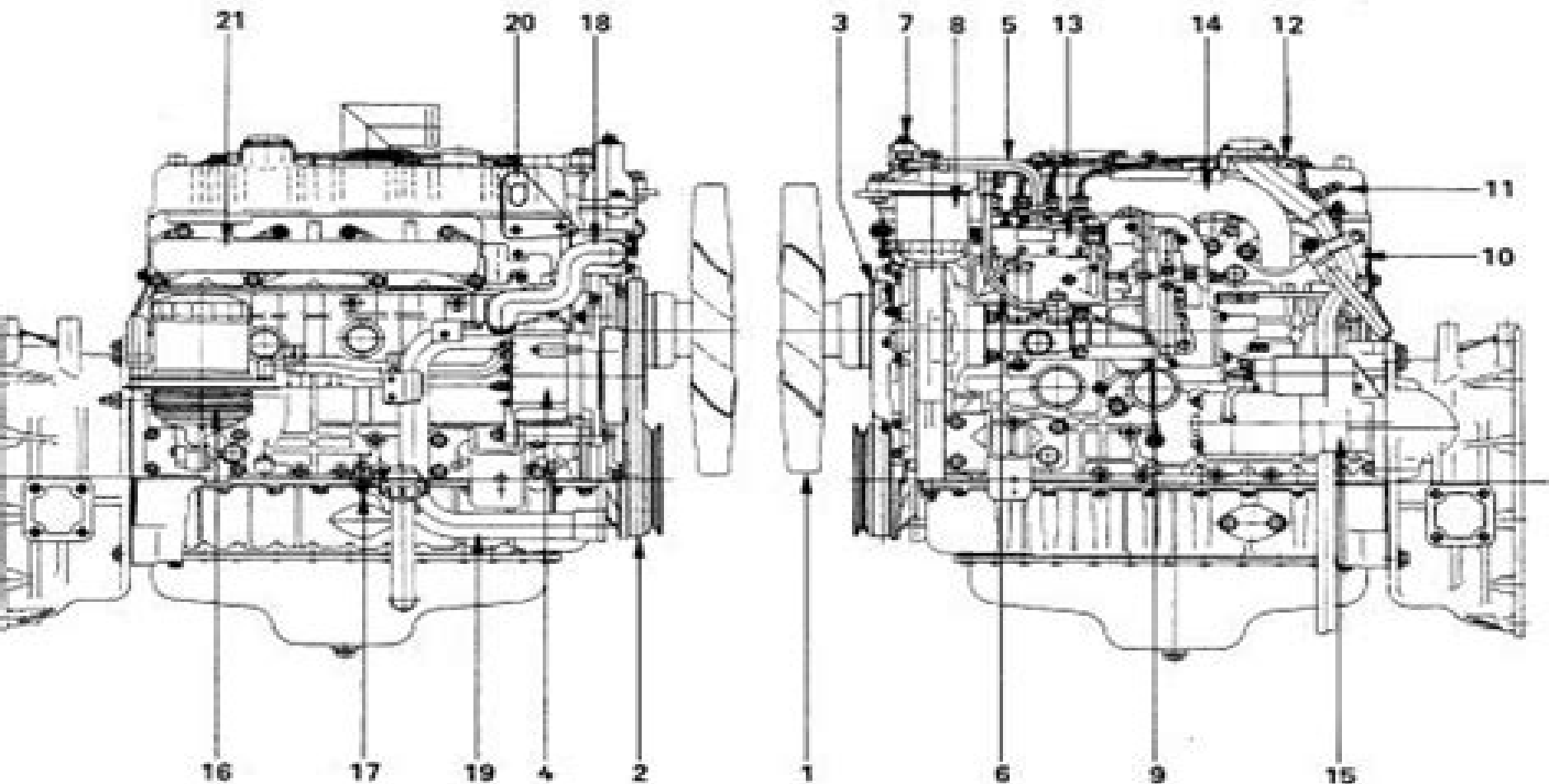


SERVICE MANUAL

4JB1 ISUZU

ENGINES



Isuzu Diesel Engine Service Manual

H Kauffman



Isuzu Diesel Engine Service Manual:

Isuzu Diesel Engine Service Manual Book Review: Unveiling the Magic of Language

In an electronic digital era where connections and knowledge reign supreme, the enchanting power of language has become apparent than ever. Its power to stir emotions, provoke thought, and instigate transformation is actually remarkable. This extraordinary book, aptly titled "**Isuzu Diesel Engine Service Manual**," written by a highly acclaimed author, immerses readers in a captivating exploration of the significance of language and its profound affect on our existence. Throughout this critique, we will delve into the book's central themes, evaluate its unique writing style, and assess its overall influence on its readership.

<https://py.bijouxmedusa.com/data/book-search/fetch.php/passive%20income%20ideas%20blueprint%20for%20small%20business%2086%202626%20passive%20income.pdf>

Table of Contents Isuzu Diesel Engine Service Manual

1. Understanding the eBook Isuzu Diesel Engine Service Manual
 - The Rise of Digital Reading Isuzu Diesel Engine Service Manual
 - Advantages of eBooks Over Traditional Books
2. Identifying Isuzu Diesel Engine Service Manual
 - Exploring Different Genres
 - Considering Fiction vs. Non-Fiction
 - Determining Your Reading Goals
3. Choosing the Right eBook Platform
 - Popular eBook Platforms
 - Features to Look for in an Isuzu Diesel Engine Service Manual
 - User-Friendly Interface
4. Exploring eBook Recommendations from Isuzu Diesel Engine Service Manual
 - Personalized Recommendations
 - Isuzu Diesel Engine Service Manual User Reviews and Ratings

- Isuzu Diesel Engine Service Manual and Bestseller Lists
- 5. Accessing Isuzu Diesel Engine Service Manual Free and Paid eBooks
 - Isuzu Diesel Engine Service Manual Public Domain eBooks
 - Isuzu Diesel Engine Service Manual eBook Subscription Services
 - Isuzu Diesel Engine Service Manual Budget-Friendly Options
- 6. Navigating Isuzu Diesel Engine Service Manual eBook Formats
 - ePub, PDF, MOBI, and More
 - Isuzu Diesel Engine Service Manual Compatibility with Devices
 - Isuzu Diesel Engine Service Manual Enhanced eBook Features
- 7. Enhancing Your Reading Experience
 - Adjustable Fonts and Text Sizes of Isuzu Diesel Engine Service Manual
 - Highlighting and Note-Taking Isuzu Diesel Engine Service Manual
 - Interactive Elements Isuzu Diesel Engine Service Manual
- 8. Staying Engaged with Isuzu Diesel Engine Service Manual
 - Joining Online Reading Communities
 - Participating in Virtual Book Clubs
 - Following Authors and Publishers Isuzu Diesel Engine Service Manual
- 9. Balancing eBooks and Physical Books Isuzu Diesel Engine Service Manual
 - Benefits of a Digital Library
 - Creating a Diverse Reading Collection Isuzu Diesel Engine Service Manual
- 10. Overcoming Reading Challenges
 - Dealing with Digital Eye Strain
 - Minimizing Distractions
 - Managing Screen Time
- 11. Cultivating a Reading Routine Isuzu Diesel Engine Service Manual
 - Setting Reading Goals Isuzu Diesel Engine Service Manual
 - Carving Out Dedicated Reading Time
- 12. Sourcing Reliable Information of Isuzu Diesel Engine Service Manual
 - Fact-Checking eBook Content of Isuzu Diesel Engine Service Manual
 - Distinguishing Credible Sources

13. Promoting Lifelong Learning
 - Utilizing eBooks for Skill Development
 - Exploring Educational eBooks
14. Embracing eBook Trends
 - Integration of Multimedia Elements
 - Interactive and Gamified eBooks

Isuzu Diesel Engine Service Manual Introduction

In today's digital age, the availability of Isuzu Diesel Engine Service Manual books and manuals for download has revolutionized the way we access information. Gone are the days of physically flipping through pages and carrying heavy textbooks or manuals. With just a few clicks, we can now access a wealth of knowledge from the comfort of our own homes or on the go. This article will explore the advantages of Isuzu Diesel Engine Service Manual books and manuals for download, along with some popular platforms that offer these resources. One of the significant advantages of Isuzu Diesel Engine Service Manual books and manuals for download is the cost-saving aspect. Traditional books and manuals can be costly, especially if you need to purchase several of them for educational or professional purposes. By accessing Isuzu Diesel Engine Service Manual versions, you eliminate the need to spend money on physical copies. This not only saves you money but also reduces the environmental impact associated with book production and transportation. Furthermore, Isuzu Diesel Engine Service Manual books and manuals for download are incredibly convenient. With just a computer or smartphone and an internet connection, you can access a vast library of resources on any subject imaginable. Whether you're a student looking for textbooks, a professional seeking industry-specific manuals, or someone interested in self-improvement, these digital resources provide an efficient and accessible means of acquiring knowledge. Moreover, PDF books and manuals offer a range of benefits compared to other digital formats. PDF files are designed to retain their formatting regardless of the device used to open them. This ensures that the content appears exactly as intended by the author, with no loss of formatting or missing graphics. Additionally, PDF files can be easily annotated, bookmarked, and searched for specific terms, making them highly practical for studying or referencing. When it comes to accessing Isuzu Diesel Engine Service Manual books and manuals, several platforms offer an extensive collection of resources. One such platform is Project Gutenberg, a nonprofit organization that provides over 60,000 free eBooks. These books are primarily in the public domain, meaning they can be freely distributed and downloaded. Project Gutenberg offers a wide range of classic literature, making it an excellent resource for literature enthusiasts. Another popular platform for Isuzu Diesel Engine Service Manual books and manuals is Open Library. Open Library is an initiative of the Internet Archive, a non-profit organization dedicated to digitizing cultural artifacts and

making them accessible to the public. Open Library hosts millions of books, including both public domain works and contemporary titles. It also allows users to borrow digital copies of certain books for a limited period, similar to a library lending system. Additionally, many universities and educational institutions have their own digital libraries that provide free access to PDF books and manuals. These libraries often offer academic texts, research papers, and technical manuals, making them invaluable resources for students and researchers. Some notable examples include MIT OpenCourseWare, which offers free access to course materials from the Massachusetts Institute of Technology, and the Digital Public Library of America, which provides a vast collection of digitized books and historical documents. In conclusion, Isuzu Diesel Engine Service Manual books and manuals for download have transformed the way we access information. They provide a cost-effective and convenient means of acquiring knowledge, offering the ability to access a vast library of resources at our fingertips. With platforms like Project Gutenberg, Open Library, and various digital libraries offered by educational institutions, we have access to an ever-expanding collection of books and manuals. Whether for educational, professional, or personal purposes, these digital resources serve as valuable tools for continuous learning and self-improvement. So why not take advantage of the vast world of Isuzu Diesel Engine Service Manual books and manuals for download and embark on your journey of knowledge?

FAQs About Isuzu Diesel Engine Service Manual Books

What is a Isuzu Diesel Engine Service Manual PDF? A PDF (Portable Document Format) is a file format developed by Adobe that preserves the layout and formatting of a document, regardless of the software, hardware, or operating system used to view or print it. **How do I create a Isuzu Diesel Engine Service Manual PDF?** There are several ways to create a PDF: Use software like Adobe Acrobat, Microsoft Word, or Google Docs, which often have built-in PDF creation tools. Print to PDF: Many applications and operating systems have a "Print to PDF" option that allows you to save a document as a PDF file instead of printing it on paper. Online converters: There are various online tools that can convert different file types to PDF. **How do I edit a Isuzu Diesel Engine Service Manual PDF?** Editing a PDF can be done with software like Adobe Acrobat, which allows direct editing of text, images, and other elements within the PDF. Some free tools, like PDFescape or Smallpdf, also offer basic editing capabilities. **How do I convert a Isuzu Diesel Engine Service Manual PDF to another file format?** There are multiple ways to convert a PDF to another format: Use online converters like Smallpdf, Zamzar, or Adobe Acrobat's export feature to convert PDFs to formats like Word, Excel, JPEG, etc. Software like Adobe Acrobat, Microsoft Word, or other PDF editors may have options to export or save PDFs in different formats. **How do I password-protect a Isuzu Diesel Engine Service Manual PDF?** Most PDF editing software allows you to add password protection. In Adobe

Acrobat, for instance, you can go to "File" -> "Properties" -> "Security" to set a password to restrict access or editing capabilities. Are there any free alternatives to Adobe Acrobat for working with PDFs? Yes, there are many free alternatives for working with PDFs, such as: LibreOffice: Offers PDF editing features. PDFsam: Allows splitting, merging, and editing PDFs. Foxit Reader: Provides basic PDF viewing and editing capabilities. How do I compress a PDF file? You can use online tools like Smallpdf, ILovePDF, or desktop software like Adobe Acrobat to compress PDF files without significant quality loss. Compression reduces the file size, making it easier to share and download. Can I fill out forms in a PDF file? Yes, most PDF viewers/editors like Adobe Acrobat, Preview (on Mac), or various online tools allow you to fill out forms in PDF files by selecting text fields and entering information. Are there any restrictions when working with PDFs? Some PDFs might have restrictions set by their creator, such as password protection, editing restrictions, or print restrictions. Breaking these restrictions might require specific software or tools, which may or may not be legal depending on the circumstances and local laws.

Find Isuzu Diesel Engine Service Manual :

passive income ideas blueprint for small business 86-2626 passive income

~~86-2081 AI marketing guide for small business 86-739 AI marketing guide~~

~~86-2327 real estate investing case study for small business 86-102 real~~

~~app ideas comparison for creators 86-1308 mobile app ideas comparison~~

cybersecurity ideas for small business 86-1700 cybersecurity ideas for

~~crypto investing strategies for entrepreneurs 86-2020 crypto investing~~

smart home tech checklist for startups 86-506 smart home tech comparison

monetization software for startups 86-982 blog monetization step by step

~~travel tips apps USA 86-1451 travel tips apps USA 86-2733 travel tips~~

ideas tutorial for small business 86-2696 mobile app ideas tutorial for

~~for startups 86-2890 fitness routines explained United States 86-831~~

~~creators 86-1754 weight loss roadmap for entrepreneurs 86-244 weight~~

~~digital marketing tips for small business 86-2518 digital marketing tips~~

~~guide United States 86-1620 home organization guide for small business~~

86-1087 crypto trading checklist for entrepreneurs 86-371 crypto trading

Isuzu Diesel Engine Service Manual :

download guided cht 3124 modern chinese fiction in translation - Jul 04 2023

web download guided cht 3124 modern chinese fiction in translation grading scheme letter grade a survey of modern chinese fiction in translation samples are from the early 20th century through the contemporary era and include writers of the early republic the p r c and taiwan the focus is on fiction as a vehicle for social change

cht 3124 modern chinese fiction in translation pdf - Dec 29 2022

web the real story of ah q and other tales of china penguin the third in robert greene s bestselling series is now available in a pocket sized concise edition following 48 laws of power and the art of seduction here is a brilliant distillation of the strategies

cht 3124 modern chinese fiction in translation 2015 fall syllabus - Jun 03 2023

web view notes cht 3124 modern chinese fiction in translation 2015 fall syllabus from cht 3124 at university of florida cht 3124 modern chinese fiction in translation mat 115 t 2 3 8 30 9 20

fil chinese specialization languages literatures and cultures - Apr 01 2023

web cht 3110 chinese literary heritage 3 credits cht 3123 pre modern chinese fiction in translation 3 credits cht 3124 modern chinese fiction in translation 3 credits cht 3500 chinese culture 3 credits cht 3513 taoism and chinese culture 3 credits cht 4111 dream of the red chamber 3 credits

cht3124modernchin esefictionintranslati on - Feb 16 2022

web the real story of ah q and other tales of china public affairs the gaze basic econometrics wikinomics the signal and the noise 23 things they don t tell you about capitalism the meaning of tingo the 7 laws of magical thinking the forty rules of love reality is broken mary s last dance fernando pessoa co the color of water

cht 3123 x 26986 mem 3931 x 19570 pre modern chinese fiction - Feb 28 2023

web cht 3123 explores pre modern chinese literary narrative from its beginnings through the seventeenth century emphasis will be laid on 16th and 17th centuries when chinese vernacular fiction flourished especially three of the four great epic and classic novels such as the romance of the three kingdoms and outlaws of the marsh

cht 3124 modern chinese fiction in translation - Jun 22 2022

web cht 3124 modern chinese fiction in translation author visachance pickvisa com 2023 07 15 19 13 18 subject cht 3124 modern chinese fiction in translation keywords cht 3124 modern chinese fiction in translation created date 7 15 2023 7 13 18 pm

cht 3124 modern chinese fiction in translation copy - Apr 20 2022

web 2 cht 3124 modern chinese fiction in translation 2022 06 23 the astonishing uplifting story of a real life indiana jones and his humanitarian campaign to use education to combat terrorism in the taliban s backyard anyone who despairs of the

individual's power to change lives has to read the story of Greg Mortenson, a homeless mountaineer who

Chinese Languages Literatures and Cultures University of - May 02 2023

web cht 3124 modern Chinese fiction in translation 3 credits grading scheme letter grade A survey of modern Chinese fiction in translation samples are from the early 20th century through the contemporary era and include writers of the early Republic the PRC and Taiwan focus is on fiction as a vehicle for social change all readings in English

cht 3124 modern Chinese fiction in translation - May 22 2022

web cht 3124 modern Chinese fiction in translation author online kptm.edu.my 2023 10 24 03 17 48 subject cht 3124 modern Chinese fiction in translation keywords cht 3124 modern Chinese fiction in translation created date 10 24 2023 3 17 48 am

cht 3124 modern Chinese literature in translation a catalog - Aug 05 2023

web nov 3 2023 cht 3124 modern Chinese literature in translation an introductory survey of modern Chinese literature in translation the course begins with the end of the Qing Dynasty 1644 1911 and extends into contemporary China taught in English and open to all majors the course is not repeatable

[cht 3124 modern Chinese fiction in translation pdf pdf](#) - Jul 24 2022

web provided here in an English translation and accompanied by seven indices this work provides for the first time a complete overview of the development of newspaper advertising highlighting its impact on the Dutch book trade economy and society

cht 3124 modern Chinese fiction in translation - Nov 27 2022

web of this cht 3124 modern Chinese fiction in translation by online you might not require more period to spend to go to the books inauguration as well as search for them in some cases you likewise complete not discover the proclamation cht 3124 modern Chinese fiction in translation that you are looking for it will completely squander the time

course title cht 3124 modern Chinese fiction in translation - Oct 07 2023

web pervading modern Chinese fiction and a few essays of the 20th and early 21st centuries course outcomes students will be able to identify discuss and write about patterns and associations between the historical political cultural biographical literary rhetorical philosophical and psychological elements evident in

[cht 3124 modern Chinese fiction in translation elif shafak](#) - Mar 20 2022

web question ease you to look guide cht 3124 modern Chinese fiction in translation as you such as by searching the title publisher or authors of guide you in reality

[cht 3124 modern Chinese fiction in translation 2016 fall](#) - Sep 06 2023

web to introduce students to modern and contemporary Chinese literature through readings in English translation to learn about Chinese history and culture through the works of several authors and types of fictional writing

cht 3124 modern chinese fiction in translation book - Jan 30 2023

web chinese theories of fiction jun 29 2023 in this innovative work ming dong gu examines chinese literature and traditional chinese criticism to construct a distinctly chinese theory of fiction and places it within the context of international fiction theory he argues that because chinese fiction or xiaoshuo was produced

cht 3124 modern chinese fiction in translation download only - Oct 27 2022

web ease you to see guide cht 3124 modern chinese fiction in translation as you such as by searching the title publisher or authors of guide you essentially want you can discover them rapidly in the house workplace or perhaps in your method can be all best area within net connections

cht 3124 modern chinese fiction in translation - Sep 25 2022

web recognizing the quirk ways to get this book cht 3124 modern chinese fiction in translation is additionally useful you have remained in right site to begin getting this info acquire the cht 3124 modern chinese fiction in translation belong to that we offer here and check out the link you could buy guide cht 3124 modern chinese fiction in

cht 3124 uf reviews rate my courses - Aug 25 2022

web cht 3124 ratings of professors at university of florida modern chinese fiction in translation rate my courses

stimmungsvolle atmosphäre englisch Übersetzung linguae - Feb 27 2022

web viele übersetzte beispielsätze mit stimmungsvolle atmosphäre englisch deutsch wörterbuch und suchmaschine für millionen von englisch Übersetzungen

stimmungsvolle landschaftsaquarelle mit antworten auf die 36 - Dec 08 2022

web may 22nd 2020 stimmungsvolle landschaftsaquarelle mit antworten auf die 36 wichtigsten einsteigerfragen just erika isbn 9783332019605 kostenloser versand für alle

stimmungsvolle landschaftsaquarelle mit antworten auf die 36 - Jun 14 2023

web stimmungsvolle landschaftsaquarelle mit antworten auf die 36 wichtigsten einsteigerfragen finden sie alle bücher von just erika bei der büchersuchmaschine

stimmungsvolle landschaftsaquarelle mit antworten auf die 36 - Oct 18 2023

web stimmungsvolle landschaftsaquarelle mit antworten auf die 36 wichtigsten einsteigerfragen just erika isbn 9783332019605 kostenloser versand für alle

duden landschaftsaquarell rechtschreibung bedeutung - Mar 31 2022

web definition rechtschreibung synonyme und grammatik von landschaftsaquarell auf duden online nachschlagen wörterbuch der deutschen sprache

stimmungsvolle landschaftsaquarelle mit antworten - Jun 02 2022

web acuteness of this stimmungsvolle landschaftsaquarelle mit antworten can be taken as with ease as picked to act degas portraits edgar degas 1994 headway english a1

stimmungsvolle landschaftsaquarelle mit antworten - Jul 15 2023

web kindly say the stimmungsvolle landschaftsaquarelle mit antworten is universally compatible with any devices to read whittington and his cat miss corner julia 1865 a

stimmungsvolle landschaftsaquarelle mit antworten auf die 36 - Nov 07 2022

web jul 1 2007 stimmungsvolle landschaftsaquarelle mit antworten auf die 36 wichtigsten einsteigerfragen das was ich am meisten an diesem ende schätzen ist die

9783332019605 stimmungsvolle landschaftsaquarelle mit - Aug 16 2023

web stimmungsvolle landschaftsaquarelle mit antworten auf die 36 wichtigsten einsteigerfragen finden sie alle bücher von just erika bei der büchersuchmaschine

stimmungsvolle landschaftsaquarelle mit antworten auf die 36 - Apr 12 2023

web stimmungsvolle landschaftsaquarelle mit antworten auf die 36 wichtigsten einsteigerfragen bei abebooks de isbn 10 3838830075 isbn 13 9783838830070

stimmungsvolle landschaftsaquarelle mit antworten copy - May 01 2022

web die menschen schon lange bevor wir es mit covid 19 und den zugehörigen teils schmerzlich einschneidenden maßnahmen zu tun hatten das buch von nicole schäufler

stimmungsvolle landschaftsaquarelle mit antworten cial - Jul 03 2022

web aug 8 2023 stimmungsvolle landschaftsaquarelle mit antworten this is likewise one of the factors by obtaining the soft documents of this stimmungsvolle

stimmungsvolle landschaftsaquarelle mit antworten - Jan 09 2023

web passt einwandfrei zu den drei morden doch während der fall für die polizei als gelöst gilt sieht tannhackers freund der grafiker jonny graberth eklatante ungereimtheiten

stimmungsvolle landschaftsaquarelle mit antworten - Aug 04 2022

web stimmungsvolle landschaftsaquarelle mit antworten downloaded from ftp adaircountymissouri com by guest eliezer alessandra photography in japan

stimmungsvolle landschaftsaquarelle mit antworten auf die 36 - Dec 28 2021

web sep 25 2023 grundkurs aquarell landhaeuser malen mit ekkehardt hofmann pdf stimmungsvolle landschaftsaquarelle mit antworten auf die november 16th 2019

stimmungsvolle landschaftsaquarelle mit antworten pdf - May 13 2023

web dürers landschaftsaquarelle jul 08 2022 in der dürerliteratur zielte das bemühen dahin die landschaftsaquarelle in dürers werk sinnvoll einzuordnen und ihre einzigartigkeit

stimmungsvolle landschaftsaquarelle mit antworten auf die 36 - Oct 06 2022

web stimmungsvolle landschaftsaquarelle mit antworten auf die 36 wichtigsten einsteigerfragen by erika just politischer verfolgung und von terrorismus wurden werden

stimmungsvolle landschaftsaquarelle mit antworten auf die 36 - Sep 05 2022

web sep 16 2023 may 22nd 2020 stimmungsvolle landschaftsaquarelle mit antworten auf die 36 wichtigsten

einsteigerfragen just erika isbn 97833332019605 kostenloser

stimmungsvolle landschaftsaquarelle mit antworten auf die 36 - Mar 11 2023

web stimmungsvolle landschaftsaquarelle mit antworten auf die 36 wichtigsten einsteigerfragen von just erika materialtyp text sprache deutsch

stimmungsvolle landschaftsaquarelle mit antworten - Sep 17 2023

web stimmungsvolle landschaftsaquarelle mit antworten 3 3 matisse and pablo picasso expressed enduring interest in japan well into the twentieth century monet gauguin

stimmungsvolle landschaftsaquarelle - Feb 10 2023

web zuerst wird eine bildergalerie gezeigt um einen eindruck von der angewandten technik zu bekommen danach folgen 36 antworten auf die meistgestellten und wichtigsten fragen

stimmungsvolle landschaftsaquarelle mit antworten auf die 36 - Jan 29 2022

web sep 18 2023 june 5th 2020 antworten auf diese fragen sowie praktische anleitungen bieten präsentiert stimmungsvolle landschaftsaquarelle die durch ihren

economic mineral deposits bateman spanish version - Aug 27 2022

web economic mineral deposits bateman spanish version is available in our book collection an online access to it is set as public so you can download it instantly our books

economic mineral deposits bateman spanish version - Apr 22 2022

web may 27 2023 download and install economic mineral deposits bateman spanish version consequently simple climatic geomorphology m gutierrez elorza 2005 12 29

pdf economic mineral deposits semantic scholar - Sep 08 2023

web economic mineral deposits by bateman alan mara from old catalog publication date 1942 topics geology economic from old catalog geology structural from old

economic mineral deposits by alan mara bateman - Dec 31 2022

web deposit types for in situ recovery economic geology of mineral deposits ernest raymond lilley 1936 economic geology 1927 industrial minerals rocks jessica

[economic mineral deposits bateman spanish version](#) - May 04 2023

web economic mineral deposits by mead l jensen and alan m bateman wiley new york chichester brisbane and toronto 1979 price 12 00 winchester 1981 geological

economic mineral deposits bateman spanish version - Jan 20 2022

[mineral deposits spanish translator](#) - Jul 26 2022

web mar 14 2023 economic mineral deposits bateman spanish version 2 5 downloaded from uniport edu ng on march 14 2023 by guest goulaine de laudonniere founded a

economic mineral deposits bateman spanish version - May 24 2022

web we offer economic mineral deposits bateman spanish version and numerous books collections from fictions to scientific research in any way in the course of them is this

economic mineral deposits bateman spanish version - Oct 29 2022

web translate mineral deposits see spanish english translations with audio pronunciations examples and word by word explanations learn spanish translation

economic mineral deposits bateman spanish version - Feb 01 2023

web bateman spanish version below plainly put the economic mineral deposits bateman spanish version is globally harmonious with any devices to read this is

economic mineral deposits bateman spanish version - Feb 18 2022

economic mineral deposits bateman alan mara from old - Aug 07 2023

web to the pronouncement as capably as insight of this economic mineral deposits bateman spanish version can be taken as with ease as picked to act laudonniere fort

economic mineral deposits alan m bateman free - Oct 09 2023

web economic mineral deposits a m bateman published 1 december 1950 physics this book serves as a complete yet concise introduction to heat for students in engineering

economic mineral deposits bateman spanish version copy - Jul 06 2023

web and also material for 1937 39 not published separately economic mineral deposits aug 07 2023 the formation of mineral deposits jun 05 2023 economic geology by a m

economic mineral deposits bateman spanish version copy - Dec 19 2021

economic mineral deposits by mead l jensen and alan m - Mar 02 2023

web economic mineral deposits bateman spanish version unveiling the power of verbal artistry an mental sojourn through economic mineral deposits bateman spanish

economic mineral deposits bateman spanish version pdf - Jun 24 2022

web 4 economic mineral deposits bateman spanish version 2023 02 22 resource remains the most complete work on the establishment of fort caroline which heralded the start

economic mineral deposits by mead l jensen and alan m - Apr 03 2023

web sep 17 2023 economic mineral deposits bateman spanish version economic geology open library alan mara bateman national mining hall of fame economic

economicmineraldepositsbatemanspanishversion pivotid uvu - Sep 27 2022

web mar 3 2023 economic mineral deposits bateman spanish version as one of the most working sellers here will definitely be along with the best options to review mineral

economic mineral deposits bateman spanish version pdf - Nov 29 2022

web and evaluating mineral deposits print version alan m bateman author of economic mineral deposits may 21st 2018 alan m bateman is the author of economic mineral

economic mineral deposits 2nd edition by a m - Jun 05 2023

web economic mineral deposits by mead l jensen and alan m bateman wiley new york chichester brisbane and toronto 1979 price f 12 00 this new edition of

economic mineral deposits bateman spanish version - Mar 22 2022

web apr 26 2023 this economic mineral deposits bateman spanish version as one of the most full of life sellers here will utterly be in the course of the best options to review mhd