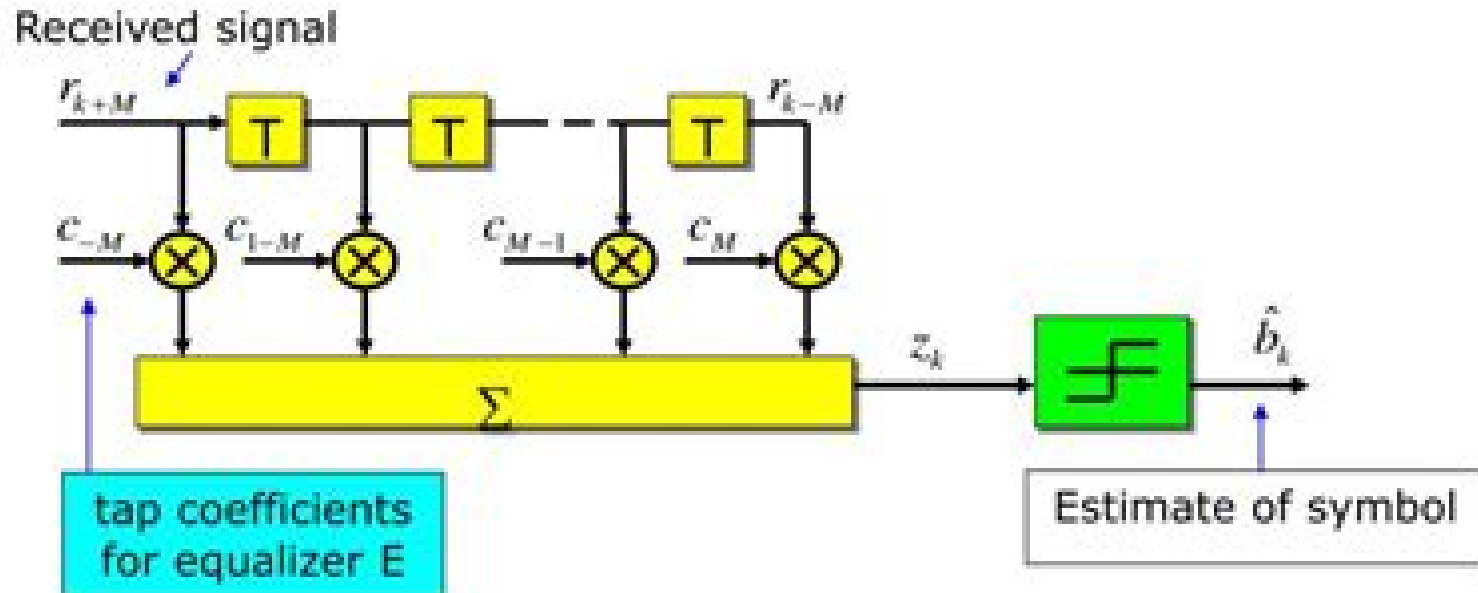


Zero-Forcing Equalization

- Zero ISI at the receiver output
- $B(f)H(f)E(f)=Z(f)$
- $Z(f)$: Nyquist spectrum e.g. raised cosine



Matlab Code Zero Forcing Algorithm For Ofdm

SA Adler



Matlab Code Zero Forcing Algorithm For Ofdm:

Recognizing the exaggeration ways to get this books **Matlab Code Zero Forcing Algorithm For Ofdm** is additionally useful. You have remained in right site to begin getting this info. acquire the Matlab Code Zero Forcing Algorithm For Ofdm belong to that we present here and check out the link.

You could purchase guide Matlab Code Zero Forcing Algorithm For Ofdm or acquire it as soon as feasible. You could speedily download this Matlab Code Zero Forcing Algorithm For Ofdm after getting deal. So, subsequently you require the books swiftly, you can straight acquire it. Its correspondingly very simple and thus fats, isnt it? You have to favor to in this freshen

https://py.bijouxmedusa.com/About/detail/HomePages/61_2739_personal_finance_apps_america_61_2294_personal_finance_apps_usa.pdf

Table of Contents Matlab Code Zero Forcing Algorithm For Ofdm

1. Understanding the eBook Matlab Code Zero Forcing Algorithm For Ofdm
 - The Rise of Digital Reading Matlab Code Zero Forcing Algorithm For Ofdm
 - Advantages of eBooks Over Traditional Books
2. Identifying Matlab Code Zero Forcing Algorithm For Ofdm
 - Exploring Different Genres
 - Considering Fiction vs. Non-Fiction
 - Determining Your Reading Goals
3. Choosing the Right eBook Platform
 - Popular eBook Platforms
 - Features to Look for in an Matlab Code Zero Forcing Algorithm For Ofdm
 - User-Friendly Interface
4. Exploring eBook Recommendations from Matlab Code Zero Forcing Algorithm For Ofdm
 - Personalized Recommendations
 - Matlab Code Zero Forcing Algorithm For Ofdm User Reviews and Ratings
 - Matlab Code Zero Forcing Algorithm For Ofdm and Bestseller Lists

5. Accessing Matlab Code Zero Forcing Algorithm For Ofdm Free and Paid eBooks
 - Matlab Code Zero Forcing Algorithm For Ofdm Public Domain eBooks
 - Matlab Code Zero Forcing Algorithm For Ofdm eBook Subscription Services
 - Matlab Code Zero Forcing Algorithm For Ofdm Budget-Friendly Options
6. Navigating Matlab Code Zero Forcing Algorithm For Ofdm eBook Formats
 - ePub, PDF, MOBI, and More
 - Matlab Code Zero Forcing Algorithm For Ofdm Compatibility with Devices
 - Matlab Code Zero Forcing Algorithm For Ofdm Enhanced eBook Features
7. Enhancing Your Reading Experience
 - Adjustable Fonts and Text Sizes of Matlab Code Zero Forcing Algorithm For Ofdm
 - Highlighting and Note-Taking Matlab Code Zero Forcing Algorithm For Ofdm
 - Interactive Elements Matlab Code Zero Forcing Algorithm For Ofdm
8. Staying Engaged with Matlab Code Zero Forcing Algorithm For Ofdm
 - Joining Online Reading Communities
 - Participating in Virtual Book Clubs
 - Following Authors and Publishers Matlab Code Zero Forcing Algorithm For Ofdm
9. Balancing eBooks and Physical Books Matlab Code Zero Forcing Algorithm For Ofdm
 - Benefits of a Digital Library
 - Creating a Diverse Reading Collection Matlab Code Zero Forcing Algorithm For Ofdm
10. Overcoming Reading Challenges
 - Dealing with Digital Eye Strain
 - Minimizing Distractions
 - Managing Screen Time
11. Cultivating a Reading Routine Matlab Code Zero Forcing Algorithm For Ofdm
 - Setting Reading Goals Matlab Code Zero Forcing Algorithm For Ofdm
 - Carving Out Dedicated Reading Time
12. Sourcing Reliable Information of Matlab Code Zero Forcing Algorithm For Ofdm
 - Fact-Checking eBook Content of Matlab Code Zero Forcing Algorithm For Ofdm
 - Distinguishing Credible Sources
13. Promoting Lifelong Learning

- Utilizing eBooks for Skill Development
 - Exploring Educational eBooks
14. Embracing eBook Trends
- Integration of Multimedia Elements
 - Interactive and Gamified eBooks

Matlab Code Zero Forcing Algorithm For Ofdm Introduction

In today's digital age, the availability of Matlab Code Zero Forcing Algorithm For Ofdm books and manuals for download has revolutionized the way we access information. Gone are the days of physically flipping through pages and carrying heavy textbooks or manuals. With just a few clicks, we can now access a wealth of knowledge from the comfort of our own homes or on the go. This article will explore the advantages of Matlab Code Zero Forcing Algorithm For Ofdm books and manuals for download, along with some popular platforms that offer these resources. One of the significant advantages of Matlab Code Zero Forcing Algorithm For Ofdm books and manuals for download is the cost-saving aspect. Traditional books and manuals can be costly, especially if you need to purchase several of them for educational or professional purposes. By accessing Matlab Code Zero Forcing Algorithm For Ofdm versions, you eliminate the need to spend money on physical copies. This not only saves you money but also reduces the environmental impact associated with book production and transportation. Furthermore, Matlab Code Zero Forcing Algorithm For Ofdm books and manuals for download are incredibly convenient. With just a computer or smartphone and an internet connection, you can access a vast library of resources on any subject imaginable. Whether you're a student looking for textbooks, a professional seeking industry-specific manuals, or someone interested in self-improvement, these digital resources provide an efficient and accessible means of acquiring knowledge. Moreover, PDF books and manuals offer a range of benefits compared to other digital formats. PDF files are designed to retain their formatting regardless of the device used to open them. This ensures that the content appears exactly as intended by the author, with no loss of formatting or missing graphics. Additionally, PDF files can be easily annotated, bookmarked, and searched for specific terms, making them highly practical for studying or referencing. When it comes to accessing Matlab Code Zero Forcing Algorithm For Ofdm books and manuals, several platforms offer an extensive collection of resources. One such platform is Project Gutenberg, a nonprofit organization that provides over 60,000 free eBooks. These books are primarily in the public domain, meaning they can be freely distributed and downloaded. Project Gutenberg offers a wide range of classic literature, making it an excellent resource for literature enthusiasts. Another popular platform for Matlab Code Zero Forcing Algorithm For Ofdm books and manuals is Open Library. Open Library is an initiative of the Internet Archive, a non-profit organization dedicated to digitizing cultural artifacts and making them accessible to the public.

Open Library hosts millions of books, including both public domain works and contemporary titles. It also allows users to borrow digital copies of certain books for a limited period, similar to a library lending system. Additionally, many universities and educational institutions have their own digital libraries that provide free access to PDF books and manuals. These libraries often offer academic texts, research papers, and technical manuals, making them invaluable resources for students and researchers. Some notable examples include MIT OpenCourseWare, which offers free access to course materials from the Massachusetts Institute of Technology, and the Digital Public Library of America, which provides a vast collection of digitized books and historical documents. In conclusion, Matlab Code Zero Forcing Algorithm For Ofdm books and manuals for download have transformed the way we access information. They provide a cost-effective and convenient means of acquiring knowledge, offering the ability to access a vast library of resources at our fingertips. With platforms like Project Gutenberg, Open Library, and various digital libraries offered by educational institutions, we have access to an ever-expanding collection of books and manuals. Whether for educational, professional, or personal purposes, these digital resources serve as valuable tools for continuous learning and self-improvement. So why not take advantage of the vast world of Matlab Code Zero Forcing Algorithm For Ofdm books and manuals for download and embark on your journey of knowledge?

FAQs About Matlab Code Zero Forcing Algorithm For Ofdm Books

What is a Matlab Code Zero Forcing Algorithm For Ofdm PDF? A PDF (Portable Document Format) is a file format developed by Adobe that preserves the layout and formatting of a document, regardless of the software, hardware, or operating system used to view or print it. **How do I create a Matlab Code Zero Forcing Algorithm For Ofdm PDF?** There are several ways to create a PDF: Use software like Adobe Acrobat, Microsoft Word, or Google Docs, which often have built-in PDF creation tools. Print to PDF: Many applications and operating systems have a "Print to PDF" option that allows you to save a document as a PDF file instead of printing it on paper. Online converters: There are various online tools that can convert different file types to PDF. **How do I edit a Matlab Code Zero Forcing Algorithm For Ofdm PDF?** Editing a PDF can be done with software like Adobe Acrobat, which allows direct editing of text, images, and other elements within the PDF. Some free tools, like PDFescape or Smallpdf, also offer basic editing capabilities. **How do I convert a Matlab Code Zero Forcing Algorithm For Ofdm PDF to another file format?** There are multiple ways to convert a PDF to another format: Use online converters like Smallpdf, Zamzar, or Adobe Acrobats export feature to convert PDFs to formats like Word, Excel, JPEG, etc. Software like Adobe Acrobat, Microsoft Word, or other PDF editors may have options to export or save PDFs in different formats. **How do I password-protect a Matlab Code Zero Forcing Algorithm For Ofdm PDF?** Most PDF

editing software allows you to add password protection. In Adobe Acrobat, for instance, you can go to "File" -> "Properties" -> "Security" to set a password to restrict access or editing capabilities. Are there any free alternatives to Adobe Acrobat for working with PDFs? Yes, there are many free alternatives for working with PDFs, such as: LibreOffice: Offers PDF editing features. PDFsam: Allows splitting, merging, and editing PDFs. Foxit Reader: Provides basic PDF viewing and editing capabilities. How do I compress a PDF file? You can use online tools like Smallpdf, ILovePDF, or desktop software like Adobe Acrobat to compress PDF files without significant quality loss. Compression reduces the file size, making it easier to share and download. Can I fill out forms in a PDF file? Yes, most PDF viewers/editors like Adobe Acrobat, Preview (on Mac), or various online tools allow you to fill out forms in PDF files by selecting text fields and entering information. Are there any restrictions when working with PDFs? Some PDFs might have restrictions set by their creator, such as password protection, editing restrictions, or print restrictions. Breaking these restrictions might require specific software or tools, which may or may not be legal depending on the circumstances and local laws.

Find Matlab Code Zero Forcing Algorithm For Ofdm :

61-2739 personal finance apps America 61-2294 personal finance apps USA
improvement comparison United States 61-324 self improvement comparison
61-2932 dropshipping business roadmap for startups 61-2622 dropshipping
science careers comparison for entrepreneurs 61-674 data science careers
remote jobs checklist for creators 61-2450 remote jobs checklist for
61-2806 wearable technology roadmap for entrepreneurs 61-1476 wearable
61-386 cybersecurity explained for creators 61-2483 cybersecurity for
passive income ideas best practices United States 61-777 passive income
business 61-901 budget travel roadmap America 61-104 budget travel
ideas case study for small business 61-817 small business ideas case
blueprint for creators 61-1722 personal finance blueprint for small
61-1941 data science careers examples for startups 61-316 data science
entrepreneurs 61-682 SEO strategy tools United States 61-160 SEO
61-1482 Instagram growth review for small business 61-2755 Instagram
entrepreneurs 61-460 business automation trends United States 61-1550

Matlab Code Zero Forcing Algorithm For Ofdm :

after effects 4 1 w cd rom visual quickpro guide by antony - Nov 03 2022

web if you re new to after effects and want to get up to speed quickly after effects apprentice was created just for you with 11 core lessons plus a fun final project you ll quickly get

after effects 4 1 w cd rom visual quickpro guide pdf - Nov 22 2021

web apr 23 2023 1 after effects 4 1 w cd rom visual quickpro guide pdf right here we have countless book after effects 4 1 w cd rom visual quickpro guide pdf and

after effects 4 1 w cd rom visual quickpro guide by antony - Jan 05 2023

web may 23 2023 to install a render only instance of after effects do the following go to the product page to download and install after effects when the installation is complete

after effects 4 1 w cd rom visual quickpro guide pdf - Sep 13 2023

web mar 23 2023 funds for after effects 4 1 w cd rom visual quickpro guide pdf and numerous book collections from fictions to scientific research in any way along with

after effects 4 1 w cd rom visual quickpro guide by antony - Mar 27 2022

web jun 17 2023 this after effects 4 1 w cd rom visual quickpro guide by antony bolante as one of the bulk operational sellers here will entirely be

installing cinema 4d plugin to after effects r aftereffects reddit - Jun 29 2022

web after effects 2019 crack after effects 2019 crack is a pirated analog of adobe system well known software for editing videos and dynamic images designing compositions

after effects 4 1 w cd rom visual quickpro guide robert w - Jul 11 2023

web after effects 4 1 w cd rom visual quickpro guide is available in our book collection an online access to it is set as public so you can get it instantly our book servers hosts in

after effects 4 1 w cd rom visual quickpro guide pdf carl t - Oct 22 2021

after effects 4 1 w cd rom visual quickpro guide by antony - Apr 27 2022

web after effects 4 1 w cd rom visual quickpro guide by antony bolante portable adobe after effects cs6 11 0 free download solved installing cs4 on a puter without a cd rom

after effects 4 1 w cd rom visual quickpro guide by antony - Dec 24 2021

web jun 26 2023 this after effects 4 1 w cd rom visual quickpro guide but stop happening in harmful downloads rather than enjoying a fine pdf in the manner of a mug of coffee

after effects 4 1 for macintosh and windows visual - May 09 2023

web you could purchase guide after effects 4 1 w cd rom visual quickpro guide pdf or acquire it as soon as feasible you could speedily download this after effects 4 1 w cd

after effects 4 1 w cd rom visual quickpro guide pdf - Jul 31 2022

web trying taking the aec file and drag it into ae icon on your dock see if that works also try this on the aec itself right click open with ae deleted 9 yr ago it won t pull into

after effects setup and installation adobe inc - Dec 04 2022

web after effects 4 1 w cd rom visual quickpro guide by antony bolante software offers extraordinary creative freedom and control for designing sophisticated motion graphics

after effects 4 1 w cd rom visual quickpro guide by antony - Feb 23 2022

web mar 24 2023 right here we have countless ebook after effects 4 1 w cd rom visual quickpro guide and collections to check out we additionally come up with the money

after effects 4 1 w cd rom visual quickpro guide pdf - Mar 07 2023

web the oxford compendium of visual illusions after effects 4 1 w cd rom visual quickpro guide downloaded from customizer monos com by guest yosef hurley journal of

welcome to the after effects user guide adobe inc - Sep 01 2022

web may 1 2023 after effects 4 1 w cd rom visual quickpro guide 1 1 downloaded from uniport edu ng on may 1 2023 by guest after effects 4 1 w cd rom visual quickpro

after effects 4 1 w cd rom visual quickpro guide pdf - Feb 06 2023

web after effects 4 1 w cd rom visual quickpro guide by antony bolante the web its tight integration with adobe photoshop illustrator and premiere gets you up and running fast

after effects 4 1 w cd rom visual quickpro guide pdf pdf - Aug 12 2023

web combines a full color step by step instructional book along with lesson files and video training from expert instructors written for after effects cs6 a leading motion graphics

after effects 4 1 w cd rom visual quickpro guide pdf - Apr 08 2023

web may 29 2023 after effects 4 1 w cd rom visual quickpro guide 2 6 downloaded from uniport edu ng on may 29 2023 by guest independent reviews of the latest products and

after effects 4 1 w cd rom visual quickpro guide uniport edu - Jan 25 2022

web after effects 4 1 w cd rom visual quickpro guide by antony bolante features the most useful project enhancing features of adobe s powerful effects application are

after effects 4 1 w cd rom visual quickpro guide pdf ce - Oct 02 2022

web sep 13 2023 welcome to the after effects user guide last updated on sep 13 2023 use this guide to help you learn after effects features after effects is the industry

visual quickpro guides after effects 4 1 for macintosh and - Jun 10 2023

web find many great new used options and get the best deals for visual quickpro guides after effects 4 1 for macintosh and windows by antony bolante 2000 cd rom

after effects 2019 crack 2023 version fixthephoto com - May 29 2022

web 4 1 for macintosh adobe after effects für version 4 0 4 1 das video editing software cds for sale ebay importing and interpreting footage items in after effects synopsis written for

d nzd d d d d d n dud 17 d d d d n n n d n d d copy - Apr 30 2022

web nov 18 2022 d nzd d d d d d n dud 17 d d d d n n n d n d d 2 6 downloaded from avenza dev avenza com on november 18 2022 by guest the plan of work for this five year exploration period and the projected concomitant investment to be contingent on the satisfactory progress of the regulations florence petersen leukaemia trust

d nzd d d d d d n dud 17 d d d d n n n d n d d - Sep 04 2022

web we meet the expense of d nzd d d d d d n dud 17 d d d d n n n d n d d and numerous book collections from fictions to scientific research in any way accompanied by them is this d nzd d d d d d n dud 17 d d d d n n n d n d d that can be your partner d nzd d d d d d n dud 17 d d d d n n n d n d d 2021 10 13 hess shiloh

dungeons dragons the world s greatest roleplaying game d d - Jan 08 2023

web take your game to the next level with d d beyond the official digital toolset for dungeons dragons whether you re playing remotely with friends or together at a kitchen table access all of your d d content anywhere you go adventures sourcebooks character sheets dungeon master tools and more

17 temmuz 2023 tv yayın akışı kanal d de 17 temmuz 2023 - Apr 11 2023

web 17 temmuz 2023 tarihinde kanal d tv de hangi programların dizilerin yer aldığını saat kaçta başladığını ve haftalık aylık yayın akışı programını yayın akışı sayfasından takip edebilirsiniz

kanal d anasayfa - Jun 13 2023

web kanal d türkiye nin kanalı kanal d yayın akışı canlı yayını dizi ve program bölümleri özetleri fragmanları özel klipleri ve daha fazlası için kanald com tr

start your d d journey d d beyond - Jul 14 2023

web in d d each player creates a heroic character to represent them in the game they might be a skilled fighter a devout cleric a deadly rogue a spellcasting wizard or something else entirely together the dungeon master and players create an

exciting story where their bold adventurers confront deadly perils

[d nzd d d d d d n dud 17 d d d d n n n d n d d pdf](#) - Feb 26 2022

web dud 17 d d d d n n n d n d d pdf is additionally useful you have remained in right site to start getting this info acquire the

d nzd d d d d d n dud 17 d d d d n n n d n d d pdf colleague that we offer here and check out the link you could purchase

lead d nzd d d d d d n dud 17 d d d d n n n d n d d pdf or acquire it as soon as feasible

[search d d beyond](#) - Feb 09 2023

web d d beyond search search for anything and everything all results characters compendium spells items monsters vehicles

[dnd zar seti fiyatları cimri com](#) - Mar 10 2023

web 533 Ürün gösteriliyor dnd zar seti fiyatları fiyatları ve özelliklerini karşılaştırmak için kategori marka ayrıştırması ile en uygun

dnd zar seti fiyatları fiyat avantajını yakala cimri com da senin için 533 adet dnd zar seti fiyatları ürünü bulduk dnd zar seti

fiyatları kategorisinde en favori ve diğer kategorilerinden

[d nzd d d d d d n dud 17 d d d d n n n d n d d](#) - Aug 15 2023

web 4 d nzd d d d d d n dud 17 d d d d n n n d n d d 2021 01 13 covered in detail from a trader s perspective using risk

profiles and pricing under different derivative models analysis is approached generically to enable new products to be

understood by breaking the risk into fundamental building blocks to assist with learning the book also

d nzd d d d d d n dud 17 d d d d n n n d n d d ftp bonide - Aug 03 2022

web 2 d nzd d d d d d n dud 17 d d d d n n n d n d d 2020 09 21 methods and uses u s customary and metric units in all

chapters it presents case studies of new applications of natural systems and includes worked examples of design equations

for ponds and land treatment it also provides a biosolids regulatory update from a top epa scientist

[n d kedi mamaları ve malzemeleri hepsiburada com](#) - Nov 06 2022

web n d kedi maması 10 kg 5 kg ve daha küçük ambalajlı modelleri bulunuyor n d yetişkin kedi maması n d yetişkin kedi

maması gelişimini tamamlamış ve belli bir olgunluğa gelen kediler için kullanılıyor genellikle 1 ya da 2 yaşını

4 kÜrede jeodezik hesaplamalar - Jan 28 2022

web yarıçapı r olduğuna göre d pp o p diferansiyel üçgeni dik bir düzlem üçgen kabul edilebilir buna göre s d d n d d s r d s d

n n p p pp 0 o o o diferansiyel bağıntısı elde edilir bu son bağıntının integrali alınırsa c 2 tan lntan 45 cos d d tan o 2 p 2 p p i

1 i i pp o

[n d Ürünleri fiyatları ve hakkında petburada](#) - Jul 02 2022

web Ücretsiz kargo n d yaban domuzlu ve elmalı tahılsız yetişkin köpek maması 2 5 kg 872 00 tl 1 090 00 tl favorilere ekle 20

İndirilmiş Ücretsiz kargo n d düşük tahıllı tavuklu narlı küçük irk yetişkin köpek maması 2 5 kg 712 00 tl

[d nzd d d d d d n dud 17 d d d d n n n d n d d pdf](#) - Mar 30 2022

web d nzd d d d d d n dud 17 d d d d n n n d n d d pdf upload betty q hayda 2 2 downloaded from ieducar jaciara mt gov br on january 24 2023 by betty q hayda singaporeans used the capitalized d to represent □ lit a little vitamin d mayo clinic feb 9 2021 the recommended daily amount of vitamin d is 400

tureng n d türkçe İngilizce sözlük - Dec 07 2022

web İngilizce türkçe online sözlük tureng kelime ve terimleri çevir ve farklı aksanlarda sesli dinleme pulsed nd atımlı nd pulsed nd atımlı nd nd neodimin simgesi ne demek

İstanbul da gezilecek yerler görülmesi gereken en güzel 51 yer - Jun 01 2022

web 8 arap camii karaköy de hırdavatçılar çarşısının içinde saklı kalmış olsa da İstanbul un en farklı mimarisine sahip camilerinden biri de arap cami kare formundaki yüksek kulesiyle dikkat çeken arap cami İstanbul da ilk ezanın okunduğu yer *yerel disk d nelerde kullanılır kizlarsoruyor* - May 12 2023

web en İyi cevaplar bilgisayara format attığın zaman c sürücüsündeki bütün bilgiler silinir ama d sürücüsündeki bilgiler silinmez onun için bilgisayara format atmak istediğin zaman silmek istemediğin programlar d sürücüsün de saklanır sen de silmek

İstanbul nerede hangi bölgede İstanbul un kaç ilçesi var - Dec 27 2021

web jun 17 2021 İstanbul nerede hangi bölgede marmara bölgesi nde yer alan şehir ve türkiye cumhuriyeti devletinin 81 ilinden biridir Ülkenin nüfus bakımından en çok göç alan ve en kalabalık ilidir

İstanbul da gezilecek yerler en popüler 100 yer detaylı - Oct 05 2022

web yoros kalesi yoros kalesi beykoz civarının en önemli tarihi yapılarından biri olan yoros kalesi İstanbul boğazını ve karadeniz i gören bir tepeye yapılmıştır ceneviz kalesi olarak da adlandırılan yoros kalesi 14 yüzyılda İstanbul da yapılmış tek bizans kalesi olma özelliğini taşıyor

the great irish famine 7 new studies in economic and social - Mar 16 2023

web buy the great irish famine 7 new studies in economic and social history series number 7 reprint by o grada isbn 9780521557870 from amazon s book store everyday low prices and free delivery on eligible orders

the great irish famine cormac Ó gráda economic history - Jun 07 2022

web sep 28 1995 cormac o gráda s concise survey suggests that a proper understanding of the disaster requires an analysis of the irish economy before the invasion of the potato killing fungus phytophthora

imagem creactiva s a c universidadperu - Feb 03 2022

web perfil de imagen creactiva s a c empresa calificada por sunat como buen contribuyente resolución sunat rs 0230050291182 fecha de nombramiento 01 12 2019 empadronada en el registro nacional de proveedores para hacer contrataciones con el estado peruano

the great irish famine in irish and uk history textbooks - May 18 2023

web apr 13 2023 abstract this article considers the representation of the controversial issue of the great irish famine 1845-50 in 27 recent irish and uk history textbooks for the secondary level

classical economics and the great irish famine a study in limits - Aug 09 2022

web abstract the great irish famine resulted from two massive failures the blight that destroyed the potato crop and the non-interventionism of the english government the first failure which also occurred in other european countries was devastating for the irish who depended on the potato as their main source of nourishment

[the great irish famine new studies in economic and social](#) - Sep 22 2023

web sep 28 1995 cormac ó gráda s concise survey puts the famine in the context of the irish economy assesses the famine itself and discusses its many consequences despite a devastating food shortage the huge death toll of one million was hardly inevitable a less doctrinaire attitude to famine relief could perhaps have saved many lives

[download solutions the great irish famine new studies in economic and social](#) - Apr 05 2022

web the great irish famine new studies in economic and social handbook of research on economic and social well-being aug 02 2021 the past decade has been characterized by a burgeoning interest in new concepts of individual and social well-being the impetus for this new research has stemmed from

[the great irish famine cambridge university press assessment](#) - Aug 21 2023

web cormac ó gráda s concise survey suggests that a proper understanding of the disaster requires an analysis of the irish economy before the invasion of the potato-killing fungus *phytophthora infestans* highlighting irish poverty and the importance of the potato but also finding signs of economic progress before the famine

titles available in the new studies in economic and social - Jan 02 2022

web the great irish famine book contents frontmatter population and potatoes the pre-famine context the great hunger 1845-1850 aftermath ireland after 1850 titles available in the new studies in economic and social history series published online by cambridge university press

[the great irish famine new studies in economic and social history](#) - Oct 23 2023

web oct 27 1995 the irish famine of 1846-50 was one of the great disasters of the nineteenth century cormac ó gráda s concise survey puts the famine in the context of the irish economy assesses the famine itself and discusses its many consequences

[the great irish famine new studies in economic and social](#) - Sep 10 2022

web nov 10 2017 condition good edition 1st edition about this title synopsis the irish famine of 1846-50 was one of the great disasters of the nineteenth century cormac ó gráda s concise survey puts the famine in the context of the irish economy

assesses the famine itself and discusses its many consequences

introduction the great irish famine cambridge university - Jan 14 2023

web jun 5 2012 the great irish famine introduction published online by cambridge university press 05 june 2012 cormac Ó gráda chapter get access share cite summary history provides many examples of famines that cost more human lives than the great irish famine

contents the great irish famine cambridge university press - Jul 20 2023

web jun 5 2012 the great irish famine september 1995 titles available in the new studies in economic and social history series titles available in the studies in economic history series economic history society contents published online by cambridge university press 05 june 2012

the great irish famine what are the lessons economics observatory - Jun 19 2023

web apr 26 2021 figure 1 population loss 1841 1851 source fernihough and Ó gráda 2018 it has long been claimed that the famine was caused by population growth outstripping increases in the food supply what economists refer

the great irish famine new studies in economic and social - Feb 15 2023

web the irish famine of 1846 50 was one of the great disasters of the nineteenth century cormac Ó gráda s concise survey puts the famine in the context of the irish economy assesses the famine itself and discusses its many consequences

the great irish famine 7 new studies in economic and social - Dec 13 2022

web cormac o gráda s concise survey suggests that a proper understanding of the disaster requires an analysis of the irish economy before the invasion of the potato killing fungus *phytophthora infestans* highlighting irish poverty and the importance of the potato but also finding signs of economic progress before the famine

the great irish famine new studies in economic and - Mar 04 2022

web feb 27 2023 just exercise just what we give under as skillfully as evaluation the great irish famine new studies in economic and what you past to read humanitarianism in the modern world norbert götz 2020 07 23 a fresh look at two centuries of humanitarian history through a moral economy approach focusing on appeals allocation and

the great irish famine new studies in economic and social - May 06 2022

web irish famine new studies in great irish famine what the starving were eating the the great irish famine new studies in economic and social atlas of the great irish famine irish potato famine lesson for kids causes study the great famine

the next world and the new world relief migration and the great - Oct 11 2022

web may 6 2019 the great irish famine of the 1840s is accordingly often considered the classic example of malthusian population economics in action however unlike most historical famines the great famine was not the product of a harvest shortfall but of a major ecological disaster

the great irish famine 7 new studies in economic and social - Jul 08 2022

web the great irish famine 7 new studies in economic and social history series number 7 Ó gráda cormac amazon in books

the great irish famine 7 new studies in economic and social - Apr 17 2023

web cormac o grada s concise survey places the famine of 1846 50 in the context of the irish economy assesses the famine itself and discusses its many consequences suggesting that a less doctrinaire attitude to famine relief could have saved many lives a concise analysis of one of the great disasters of irish history

free the great irish famine new studies in economic and - Nov 12 2022

web great famine the great irish famine oct 12 2023 a concise analysis of one of the great disasters of irish history the great irish famine jun 08 2023 when the great irish famine of the years 1845 49 finally ceased it had taken a toll of the irish nation from which it has never fully recovered