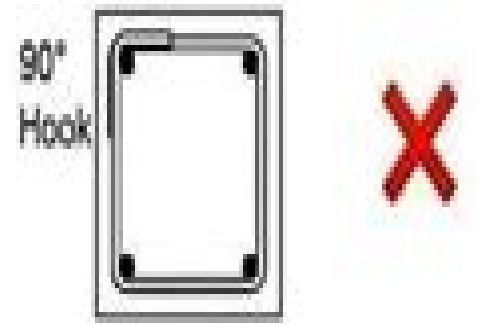
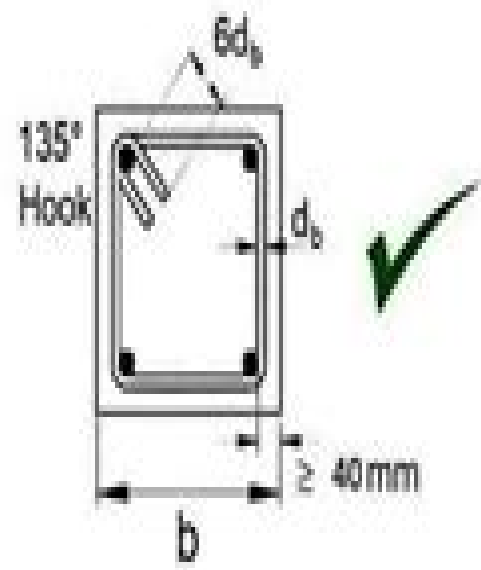
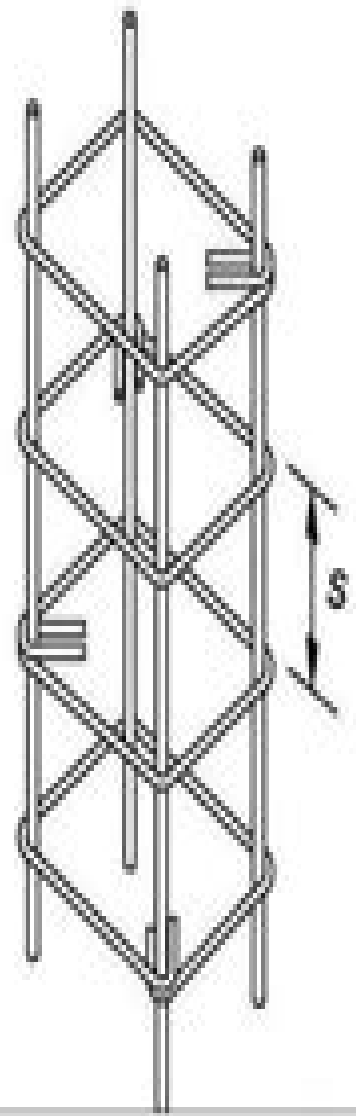
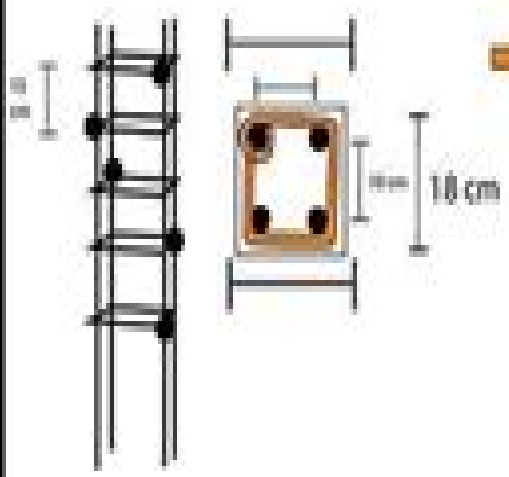


# Civil Engineering Basic Knowledge - Formulas

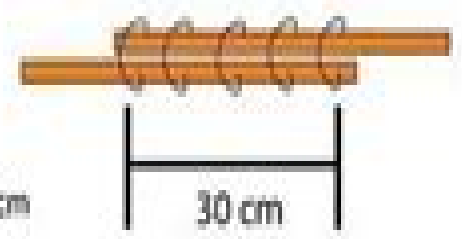
Basic Formulas | Interview Question and Answers | Site Knowledge | QS Knowledge



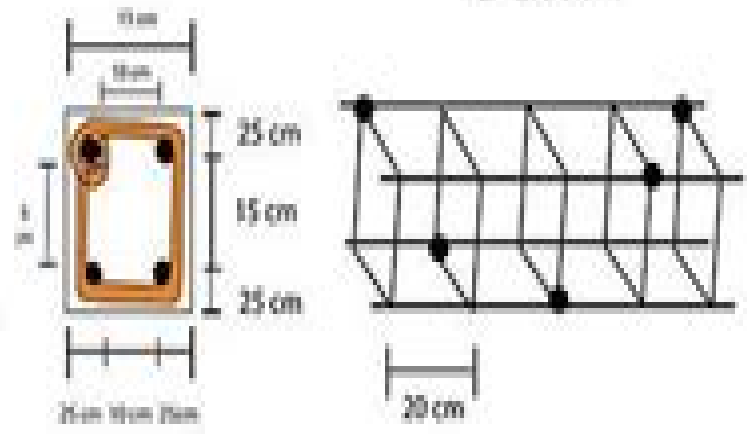
## Column



## Overlap



## Beam



# Basic Civil Engineering Tech Max

**N Noddings**



**Basic Civil Engineering Tech Max:**

This Captivating Realm of Kindle Books: A Comprehensive Guide Unveiling the Benefits of Kindle Books: A Realm of Ease and Flexibility E-book books, with their inherent mobility and simplicity of availability, have liberated readers from the constraints of physical books. Gone are the days of lugging cumbersome novels or carefully searching for particular titles in shops. E-book devices, sleek and lightweight, seamlessly store an extensive library of books, allowing readers to immerse in their favorite reads anytime, everywhere. Whether commuting on a bustling train, relaxing on a sunny beach, or simply cozying up in bed, Kindle books provide an unparalleled level of ease. A Literary World Unfolded: Discovering the Wide Array of E-book Basic Civil Engineering Tech Max Basic Civil Engineering Tech Max The Kindle Store, a digital treasure trove of bookish gems, boasts an extensive collection of books spanning varied genres, catering to every readers taste and choice. From captivating fiction and thought-provoking non-fiction to timeless classics and modern bestsellers, the E-book Store offers an exceptional abundance of titles to explore. Whether seeking escape through immersive tales of imagination and adventure, delving into the depths of past narratives, or broadening ones understanding with insightful works of science and philosophy, the E-book Store provides a doorway to a literary world brimming with endless possibilities. A Transformative Force in the Literary Landscape: The Persistent Impact of Kindle Books Basic Civil Engineering Tech Max The advent of Kindle books has certainly reshaped the literary landscape, introducing a paradigm shift in the way books are published, disseminated, and consumed. Traditional publication houses have embraced the digital revolution, adapting their strategies to accommodate the growing demand for e-books. This has led to a rise in the availability of E-book titles, ensuring that readers have access to a vast array of bookish works at their fingertips. Moreover, E-book books have democratized entry to literature, breaking down geographical limits and offering readers worldwide with similar opportunities to engage with the written word. Irrespective of their place or socioeconomic background, individuals can now immerse themselves in the captivating world of literature, fostering a global community of readers. Conclusion: Embracing the Kindle Experience Basic Civil Engineering Tech Max E-book books Basic Civil Engineering Tech Max, with their inherent convenience, flexibility, and vast array of titles, have unquestionably transformed the way we encounter literature. They offer readers the freedom to explore the limitless realm of written expression, whenever, everywhere. As we continue to travel the ever-evolving online scene, E-book books stand as testament to the lasting power of storytelling, ensuring that the joy of reading remains reachable to all.

[https://py.bijouxmedusa.com/book/book-search/index.jsp/Agricultural\\_Science\\_Grade\\_10\\_June\\_Question\\_Paper.pdf](https://py.bijouxmedusa.com/book/book-search/index.jsp/Agricultural_Science_Grade_10_June_Question_Paper.pdf)

## **Table of Contents Basic Civil Engineering Tech Max**

1. Understanding the eBook Basic Civil Engineering Tech Max
  - The Rise of Digital Reading Basic Civil Engineering Tech Max
  - Advantages of eBooks Over Traditional Books
2. Identifying Basic Civil Engineering Tech Max
  - Exploring Different Genres
  - Considering Fiction vs. Non-Fiction
  - Determining Your Reading Goals
3. Choosing the Right eBook Platform
  - Popular eBook Platforms
  - Features to Look for in an Basic Civil Engineering Tech Max
  - User-Friendly Interface
4. Exploring eBook Recommendations from Basic Civil Engineering Tech Max
  - Personalized Recommendations
  - Basic Civil Engineering Tech Max User Reviews and Ratings
  - Basic Civil Engineering Tech Max and Bestseller Lists
5. Accessing Basic Civil Engineering Tech Max Free and Paid eBooks
  - Basic Civil Engineering Tech Max Public Domain eBooks
  - Basic Civil Engineering Tech Max eBook Subscription Services
  - Basic Civil Engineering Tech Max Budget-Friendly Options
6. Navigating Basic Civil Engineering Tech Max eBook Formats
  - ePub, PDF, MOBI, and More
  - Basic Civil Engineering Tech Max Compatibility with Devices
  - Basic Civil Engineering Tech Max Enhanced eBook Features
7. Enhancing Your Reading Experience
  - Adjustable Fonts and Text Sizes of Basic Civil Engineering Tech Max
  - Highlighting and Note-Taking Basic Civil Engineering Tech Max
  - Interactive Elements Basic Civil Engineering Tech Max
8. Staying Engaged with Basic Civil Engineering Tech Max

- Joining Online Reading Communities
  - Participating in Virtual Book Clubs
  - Following Authors and Publishers Basic Civil Engineering Tech Max
9. Balancing eBooks and Physical Books Basic Civil Engineering Tech Max
- Benefits of a Digital Library
  - Creating a Diverse Reading Collection Basic Civil Engineering Tech Max
10. Overcoming Reading Challenges
- Dealing with Digital Eye Strain
  - Minimizing Distractions
  - Managing Screen Time
11. Cultivating a Reading Routine Basic Civil Engineering Tech Max
- Setting Reading Goals Basic Civil Engineering Tech Max
  - Carving Out Dedicated Reading Time
12. Sourcing Reliable Information of Basic Civil Engineering Tech Max
- Fact-Checking eBook Content of Basic Civil Engineering Tech Max
  - Distinguishing Credible Sources
13. Promoting Lifelong Learning
- Utilizing eBooks for Skill Development
  - Exploring Educational eBooks
14. Embracing eBook Trends
- Integration of Multimedia Elements
  - Interactive and Gamified eBooks

### **Basic Civil Engineering Tech Max Introduction**

Basic Civil Engineering Tech Max Offers over 60,000 free eBooks, including many classics that are in the public domain. Open Library: Provides access to over 1 million free eBooks, including classic literature and contemporary works. Basic Civil Engineering Tech Max Offers a vast collection of books, some of which are available for free as PDF downloads, particularly older books in the public domain. Basic Civil Engineering Tech Max : This website hosts a vast collection of scientific articles, books, and textbooks. While it operates in a legal gray area due to copyright issues, its a popular resource for finding various publications. Internet Archive for Basic Civil Engineering Tech Max : Has an extensive collection of digital content, including

books, articles, videos, and more. It has a massive library of free downloadable books. Free-eBooks Basic Civil Engineering Tech Max Offers a diverse range of free eBooks across various genres. Basic Civil Engineering Tech Max Focuses mainly on educational books, textbooks, and business books. It offers free PDF downloads for educational purposes. Basic Civil Engineering Tech Max Provides a large selection of free eBooks in different genres, which are available for download in various formats, including PDF. Finding specific Basic Civil Engineering Tech Max, especially related to Basic Civil Engineering Tech Max, might be challenging as they're often artistic creations rather than practical blueprints. However, you can explore the following steps to search for or create your own Online Searches: Look for websites, forums, or blogs dedicated to Basic Civil Engineering Tech Max, Sometimes enthusiasts share their designs or concepts in PDF format. Books and Magazines Some Basic Civil Engineering Tech Max books or magazines might include. Look for these in online stores or libraries. Remember that while Basic Civil Engineering Tech Max, sharing copyrighted material without permission is not legal. Always ensure you're either creating your own or obtaining them from legitimate sources that allow sharing and downloading. Library Check if your local library offers eBook lending services. Many libraries have digital catalogs where you can borrow Basic Civil Engineering Tech Max eBooks for free, including popular titles. Online Retailers: Websites like Amazon, Google Books, or Apple Books often sell eBooks. Sometimes, authors or publishers offer promotions or free periods for certain books. Authors Website Occasionally, authors provide excerpts or short stories for free on their websites. While this might not be the Basic Civil Engineering Tech Max full book, it can give you a taste of the author's writing style. Subscription Services Platforms like Kindle Unlimited or Scribd offer subscription-based access to a wide range of Basic Civil Engineering Tech Max eBooks, including some popular titles.

## **FAQs About Basic Civil Engineering Tech Max Books**

**What is a Basic Civil Engineering Tech Max PDF?** A PDF (Portable Document Format) is a file format developed by Adobe that preserves the layout and formatting of a document, regardless of the software, hardware, or operating system used to view or print it. **How do I create a Basic Civil Engineering Tech Max PDF?** There are several ways to create a PDF: Use software like Adobe Acrobat, Microsoft Word, or Google Docs, which often have built-in PDF creation tools. Print to PDF: Many applications and operating systems have a "Print to PDF" option that allows you to save a document as a PDF file instead of printing it on paper. Online converters: There are various online tools that can convert different file types to PDF. **How do I edit a Basic Civil Engineering Tech Max PDF?** Editing a PDF can be done with software like Adobe Acrobat, which allows direct editing of text, images, and other elements within the PDF. Some free tools, like PDFescape or Smallpdf, also offer basic editing capabilities. **How do I convert a Basic Civil Engineering Tech Max PDF to another file format?**

There are multiple ways to convert a PDF to another format: Use online converters like Smallpdf, Zamzar, or Adobe Acrobats export feature to convert PDFs to formats like Word, Excel, JPEG, etc. Software like Adobe Acrobat, Microsoft Word, or other PDF editors may have options to export or save PDFs in different formats. **How do I password-protect a Basic Civil Engineering Tech Max PDF?** Most PDF editing software allows you to add password protection. In Adobe Acrobat, for instance, you can go to "File" -> "Properties" -> "Security" to set a password to restrict access or editing capabilities. Are there any free alternatives to Adobe Acrobat for working with PDFs? Yes, there are many free alternatives for working with PDFs, such as: LibreOffice: Offers PDF editing features. PDFsam: Allows splitting, merging, and editing PDFs. Foxit Reader: Provides basic PDF viewing and editing capabilities. How do I compress a PDF file? You can use online tools like Smallpdf, ILovePDF, or desktop software like Adobe Acrobat to compress PDF files without significant quality loss. Compression reduces the file size, making it easier to share and download. Can I fill out forms in a PDF file? Yes, most PDF viewers/editors like Adobe Acrobat, Preview (on Mac), or various online tools allow you to fill out forms in PDF files by selecting text fields and entering information. Are there any restrictions when working with PDFs? Some PDFs might have restrictions set by their creator, such as password protection, editing restrictions, or print restrictions. Breaking these restrictions might require specific software or tools, which may or may not be legal depending on the circumstances and local laws.

### **Find Basic Civil Engineering Tech Max :**

[agricultural science grade 10 june question paper](#)

**all the wrong questions a complete mystery gift set**

**altermodern explained manifesto tate**

[algebra 1 chapter 9 checkpoint](#)

[afcat question paper and answer](#)

[airfield lighting adb-safegate](#)

**airstream interstate service manual**

[algebra 2 honors textbook answers](#)

[american encounters art history and cultural identity](#)

**amada pega 344 fanuc 6m**

**airbus a320 systems guide**

[algebra 1 math answers](#)

[afrodita en la cama drscarga gratis](#)

[against all enemies by richard a clarke digiucunore](#)

## **alex rider scorpia graphic novel**

### **Basic Civil Engineering Tech Max :**

**the river gary paulsen google books** - Mar 12 2023

web may 1 1991 the river gary paulsen random house children s books may 1 1991 young adult fiction 144 pages the government sends brian back to the canadian wilderness in this beloved follow up to the award winning classic hatchet from three time newbery honor winning author gary paulsen

**brian s return wikipedia** - Feb 28 2022

web 0 385 32500 2 brian s return is a 1999 wilderness survival novel written by gary paulsen and the fourth novel in the hatchet series it was also released as hatchet the call by macmillan children s books in the uk on january 8 1999 this was originally supposed to be the final hatchet book in the series but hundreds of readers asked paulsen

**the river chapters 1 3 summary analysis supersummary** - Oct 07 2022

web thanks for exploring this supersummary study guide of the river by gary paulsen a modern alternative to sparknotes and cliffsnotes supersummary offers high quality study guides that feature detailed chapter summaries and analysis of major themes characters quotes and essay topics

**the river summary enotes com** - Jul 16 2023

web complete summary of gary paulsen s the river enotes plot summaries cover all the significant action of the river

**the river themes supersummary** - Dec 09 2022

web thanks for exploring this supersummary study guide of the river by gary paulsen a modern alternative to sparknotes and cliffsnotes supersummary offers high quality study guides that feature detailed chapter summaries and analysis of major themes characters quotes and essay topics

**the river by gary paulsen 9780307929617 penguin random** - Jun 15 2023

web the government sends brian back to the canadian wilderness in this beloved follow up to the award winning classic hatchet from three time newbery honor winning author gary paulsen two years after brian robeson survived fifty four days alone in the canadian wilderness the government wants him to head back so they can learn what he did to stay

**gary paulsen wikipedia** - Apr 01 2022

web gary james paulsen may 17 1939 october 13 2021 was an american writer of children s and young adult fiction best known for coming of age stories about the wilderness he was the author of more than 200 books and wrote more than 200 magazine articles and short stories and several plays all primarily for teenagers

**the river novel wikipedia** - Oct 19 2023

web the river also known as the return 1 and hatchet the return 2 is a 1991 young adult novel by gary paulsen it is the second installment in the hatchet series although brian s winter 1996 kicks off an alternative trilogy of sequels

**the river a hatchet adventure by paulsen gary amazon com** - May 14 2023

web mar 13 2012 the government sends brian back to the canadian wilderness in this beloved follow up to the award winning classic hatchet from three time newbery honor winning author gary paulsen two years after brian robeson survived fifty four days alone in the canadian wilderness the government wants him to head back so they can learn what he

the river symbols motifs supersummary - Aug 05 2022

web thanks for exploring this supersummary study guide of the river by gary paulsen a modern alternative to sparknotes and cliffsnotes supersummary offers high quality study guides that feature detailed chapter summaries and analysis of major themes characters quotes and essay topics

**amazon com the river 9780786232192 paulsen gary books** - Dec 29 2021

web jan 1 2001 review the brain sagas by gary paulsen i have now finished all five of the brian sage books hatchet the river brian s winter brian s return and the hunt and the epilogue guts by gary paulsen the hatchet is one of three newberry awards that gary paulsen has earned

**the river brian s saga 2 by gary paulsen goodreads** - Sep 18 2023

web jan 1 2001 gary paulsen 3 82 27 847 ratings1 653 reviews we want you to do it again these words spoken to brian robeson will change his life two years earlier brian was stranded alone in the wilderness for fifty four

**the river by gary paulsen summary study guide** - Jun 03 2022

web oct 20 2011 118 ratings25 reviews the river study guide contains comprehensive summaries and analysis of the book this study guide includes a detailed plot summary chapter summaries analysis character descriptions objects places themes styles quotes and topics for discussion on the river by gary paulsen genres fiction 24

**the river character analysis supersummary** - Nov 08 2022

web thanks for exploring this supersummary study guide of the river by gary paulsen a modern alternative to sparknotes and cliffsnotes supersummary offers high quality study guides that feature detailed chapter summaries and analysis of major themes characters quotes and essay topics

*the river gary paulsen google books* - Feb 11 2023

web gary paulsen turtleback 1992 survival juvenile fiction military wilderness rivers 132 pages two years ago brian robeson was stranded alone in the wilderness for fifty four days with

*the river by paulsen gary amazon com au* - Sep 06 2022

web brian sends the 200 pounds of supplies back with the plane that flew them in and commences to recreate the world he

knew in the first two books half the book is a terrifying trip over 100 miles 3 days down a river its rapids lakes and swamps with derek unconscious on a wilderness made raft

**amazon com the river 9780440407539 paulsen gary books** - May 02 2022

web jan 1 1993 gary paulsen explains that he wrote the river because it was demanded of him i received literally thousands of letters sometimes fifty or sixty a day from readers interested in brian who did not want him to end with hatchet in response paulsen contrived this story of brian s further adventures in the canadian wilderness

*the river gary paulsen google books* - Apr 13 2023

web gary paulsen dell 1993 adventure stories 132 pages we want you to do it again these words spoken to brian robeson will change his life two years earlier brian was stranded alone in the wilderness for fifty four days with nothing but

the river hatchet adventure amazon co uk paulsen gary - Jan 10 2023

web the river hatchet adventure paperback illustrated 13 mar 2012 the government sends brian back to the canadian wilderness in this beloved follow up to the award winning classic hatchet from three time newbery honor winning author gary paulsen

the river by gary paulsen us edition paperback - Jan 30 2022

web this time derek holtzer a government psychologist will accompany him but a freak storm leaves derek unconscious brian s only hope is to transport derek a hundred miles down the river to a trading post he s survived with only a hatchet before now can brian build a raft and navigate an unknown river

**the river important quotes supersummary** - Jul 04 2022

web thanks for exploring this supersummary study guide of the river by gary paulsen a modern alternative to sparknotes and cliffsnotes supersummary offers high quality study guides that feature detailed chapter summaries and analysis of major themes characters quotes and essay topics

the river summary and study guide supersummary - Aug 17 2023

web the river by gary paulsen was published in 1991 as a sequel to paulsen s first story about brian s survival in the woods hatchet 1987 paulsen wrote this young adult adventure novel in response to letters from fans asking to know what happened to brian after his rescue in hatchet

**ein bier ein buch andreas hock google books** - Jan 07 2023

web in ein ein bier ein buch versammelt bestsellerautor andreas hock von nix kommt nix bin ich denn der einzige hier wo deutsch kann die erstaunlichsten fakten die

**9783104034959 ein bier ein buch andreas hock gesucht** - Aug 22 2021

*ein bier ein buch ebook hock andreas amazon de bücher* - Feb 08 2023

web ein buch versammelt bestsellerautor andreas hock von nix kommt nix bin ich denn der einzigste hier wo deutsch kann die erstaunlichsten fakten die kuriosesten

**pro kontra kann ein mann aus der sicht einer frau schreiben** - Nov 24 2021

web in ein ein bier ein buch versammelt bestsellerautor andreas hock von nix kommt nix bin ich denn der einzigste hier wo deutsch kann die erstaunlichsten fakten die

**ein bier ein buch andreas hock 9783596033430 boeken** - Mar 29 2022

web ein bier ein buch eine liebeserklärung an das allerbeste getränk der welt wasser hefe hopfen malz so simpel wie genial sind die vier ga naar zoeken ga naar

*ein bier ein buch by andreas hock goodreads* - Apr 10 2023

web ein bier ein buch book read reviews from world s largest community for readers

**ein bier ein buch andreas hock s fischer verlage** - Aug 14 2023

web mar 21 2016 in ein ein bier ein buch versammelt bestsellerautor andreas hock von nix kommt nix bin ich denn der einzigste hier wo deutsch kann die erstaunlichsten

*9783596033430 ein bier ein buch andreas hock passend* - Jul 01 2022

web ein bier ein buch german edition ebook hock andreas amazon in kindle store

**ein bier ein buch von andreas hock buch thalia** - Mar 09 2023

web beschreibung ein bier ein buch andreas hock buch taschenbuch 9 99 inkl gesetzl mwst versandkostenfrei taschenbuch taschenbuch 9 99 ebook ebook 8 99 artikel

*ein bier ein buch by andreas hock overdrive* - Sep 03 2022

web finde hilfreiche kundenrezensionen und rezensionsbewertungen für ein bier ein buch auf amazon de lese ehrliche und unvoreingenommene rezensionen von unseren

**ein bier ein buch hock andreas amazon com tr kitap** - Jun 12 2023

web ein bier ein buch hock andreas amazon com tr kitap Çerez tercihlerinizi seçin Çerez bildirimimizde detaylandırıldığı üzere satın alım yapmanızı sağlamak alışveriş

**ein bier ein buch hock andreas amazon de bücher** - Jul 13 2023

web ein bier ein buch ist ein sachbuch rund um das thema bier wasser hefe hopfen malz sind die grundzutaten nachdem jedes bier gebraut wird egal welche sorte pils

*ein bier ein buch e kitap andreas hock epub kobo com* - May 11 2023

web rakuten kobo dan andreas hock tarafından ein bier ein buch kitabını okuyun eine liebeserklärung an das allerbeste

getränk der welt wasser hefe hopfen malz so

**ein bier ein buch isbn 9783104034959 ebook von** - Apr 29 2022

web ein buch eine liebeserklärung an das allerbeste getränk der weltwasser hefe hopfen malz so simpel wie genial sind die vier ein buch andreas hock 9783596033430

**ein bier ein buch german edition kindle edition** - Nov 05 2022

web mar 22 2016 ein bier ein buch german edition kindle edition by hock andreas download it once and read it on your kindle device pc phones or tablets use features

*ein bier ein buch andreas hock google books* - Oct 24 2021

web sorry there was a problem saving your cookie preferences try again

[ein bier ein buch hock andreas amazon de books](#) - Sep 22 2021

web ein bier ein buch finden sie alle bücher von andreas hock bei der büchersuchmaschine eurobuch com können sie antiquarische und neubücher

**amazon de kundenrezensionen ein bier ein buch** - Aug 02 2022

web ein bier ein buch finden sie alle bücher von andreas hock bei der büchersuchmaschine eurobuch com können sie antiquarische und neubücher

*ein bier ein buch ebook andreas hock 9783104034959* - Feb 25 2022

web ein bier ein buch eine weitere liebeserklärung an das schönste getränk der welt ein bier ein buch von andreas hock veröffentlich bei fischerverlage Über ein bier ein

**ein bier ein buch buch von andreas hock** - Oct 04 2022

web mar 22 2016 in ein ein bier ein buch versammelt bestsellerautor andreas hock von nix kommt nix bin ich denn der einzigste hier wo deutsch kann die erstaunlichsten

[ein bier ein buch ebook hock andreas amazon de books](#) - Dec 06 2022

web skip to main content de hello select your address

**ein bier ein buch fischerverlage craft bier kraftbier0711** - Jan 27 2022

web die bestsellerliste ist also deine bestenliste da kannst du nicht viel falsch machen hier die derzeit 10 besten bücher über bier laut amazon bestseller charts oft sind günstige

**bestes bier buch september 2023 10 gute empfehlungen** - Dec 26 2021

web 4 hours ago ich lege das buch auf den ice klappisch vor mir und hole erstmal meinen proviant aus der tasche ich denke über das gerade gelesene nach bei meiner letzten

**ein bier ein buch german edition kindle edition amazon in** - May 31 2022

web ein bier ein buch isbn 9783104034959 ebook von andreas hock verlag fischer e books die kuriosesten anekdoten die verrücktesten rekorde und die berühmtesten

*reading wonders grade 6 weekly assessment goodreads* - Sep 10 2022

web may 8 2012 student weekly assessments contain fresh reads offering students the opportunity to demonstrate their mastery of weekly comprehension phonics grammar and vocabulary skills the new stories lead to text dependent questioning that encourages students to rely on text evidence for the correct answers

reading wonders resources mrs warner s learning community - Dec 13 2022

web reading wonders resources this page features our school s reading series mcgraw hill reading wonders it provides links to help teachers get started with many of the resources available with this new program

**mcgraw hill** - Mar 04 2022

web 2023 mcgraw hill all rights reserved privacy center opens in new window terms of use opens in new window minimum requirements opens in new window platform

**wonders 2020 mcgraw hill** - Feb 15 2023

web grades k 5 wonders is designed to foster a love of reading in all children through exploration of texts and daily development of their skills as readers writers speakers and active listeners students experience the power of literacy our focus on teaching the whole child and every child prepares students to be lifelong learners

*amazon com customer reviews reading wonders grade 6 weekly* - Jun 07 2022

web find helpful customer reviews and review ratings for reading wonders grade 6 weekly assessment elementary core reading at amazon com read honest and unbiased product reviews from our users

**mcgraw hill samples** - Jan 14 2023

web grades k 6 c retelling cards grade k c grade 1 c high frequency word cards grade k c weekly assessment grade 1 c grade 2 c grade 3 c grade 4 c grade 5 c grade 6 c unit assessment grade k c grade 1 c grade 2 c grade 3 c grade 4 c grade 5 c grade 6 c benchmark assessment grade k c grade 1 c grade 2 c

**assessment handbook mcgraw hill education** - Jul 20 2023

web our assessment options are grounded in research aligned with the reading wonders k 6 curriculum easy to manage and designed to familiarize students with items and approaches associated with high stakes testing wonders assessments use existing testing designs as their validity structure and alignment model

**mcgraw hill reading wonders weekly assessment grade 6** - Sep 22 2023

web free ebook flipbook and pdf mcgraw hill reading wonders weekly assessment grade 6 weekly assessment is an integral part of the complete assessment program aligned with mcgraw hill reading wonders and the common core state standards

ccss purpose of weekly assessment

*literacy curriculum for elementary wonders mcgraw hill* - May 18 2023

web connect ela skills to content area reading with science and social studies texts assess learning with program assessments wonders is a k 6 literacy curriculum designed with a wealth of research based print and digital resources for building a strong literacy foundation

**wonders weekly assessments grade 6 mcgraw hill** - Aug 21 2023

web apr 1 2016 includes text dependent questioning that encourages students to rely on text evidence for the correct answers get the 1e of wonders weekly assessments grade 6 by mcgraw hill textbook ebook and other options isbn

**mcgraw hill reading wonders benchmark assessment grade 6** - Aug 09 2022

web benchmark assessment focuses on the following key areas of english language arts as identified by the ccss comprehension of literature comprehension of informational text using text features to access or clarify information vocabulary acquisition and use command of the conventions of standard english language writing within the para

*mheonline com readingwonders weebly* - Apr 17 2023

web mcgraw hill reading wonders provided such reproductions bear copyright notice but may not be reproduced in any form for assessments begin mid year for grades 2 6 there are 30 fiction and nonfiction passages per grade to help you assess fluency using at least two selections every two to three weeks for most students the page

*mcgraw hill wonders sixth grade resources and printouts* - Jun 19 2023

web free printouts and resources for mcgraw hill wonders reading sixth grade the teacher s guide free worksheets smartboard templates and lesson plans for teachers home

**mcgraw hill reading wonders weekly assessment grade 6** - Mar 16 2023

web paperback january 1 2014 by unkown author 4 6 3 ratings see all formats and editions mcgraw hill reading wonderworks grade levels k 6 a parallel intervention program developed to support reading wonders with flexible options for a variety of intervention needs

**mcgraw hill wonders ela core curriculum grades k 5 6** - Apr 05 2022

web below are matrices and pacing guides for grades k 6 note that the matrix files are currently in excel format grade k 120 min pacing grade k matrix grade 1 120 min pacing grade 1 matrix grade 2 120 min pacing grade 2 matrix grades 3 6 90 min pacing grades 3 6 120 min pacing grade 3 matrix grade 4 matrix grade 5

**mcgraw hill reading wonders weekly assessment grade 6** - May 06 2022

web feb 23 2006 mcgraw hill reading wonders weekly assessment grade 6 unkown 0 ratings by goodreads isbn 10 0021270937 isbn 13 9780021270934 published by mcgraw hill education 2014 condition as new soft cover save for later

from allied book company inc lignonier in u s a abebooks seller since february 23 2006

*reading wonders grade 6 weekly assessment* - Jul 08 2022

web reading wonders grade 6 weekly assessment elementary core reading by mcgraw hill isbn 10 0021270937 isbn 13 9780021270934 mcgraw hill 2012 softcover

**results for mcgraw hill wonders unit 6 tpt** - Feb 03 2022

web bamagirl updated to include all editions of wonders 2023 2020 2017 and 2014 these trifolds are based on the 4th grade wonders mcgraw hill reading series this is a weekly handout that is great for classwork homework and or to add to student s interactive reading notebooks

mcgraw hill reading wonders unit assessment grade 6 goodreads - Oct 11 2022

web jan 1 2014 mcgraw hill reading wonderworks grade levels k 6 a parallel intervention program developed to support reading wonders with flexible options for a variety of intervention needs intensive focus on foundational skills at k 1 as first steps in developing proficient readers clear cut options for targeted foundational support at

**results for wonders 6th grade unit assessment tpt** - Nov 12 2022

web bamagirl updated to include all editions of wonders 2023 2020 2017 and 2014 these vocabulary tests are based on the 6th grade wonders mcgraw hill reading series this is a weekly test that is great for a quick assessment of student mastery of the weekly vocabulary words a word list is provided on each test