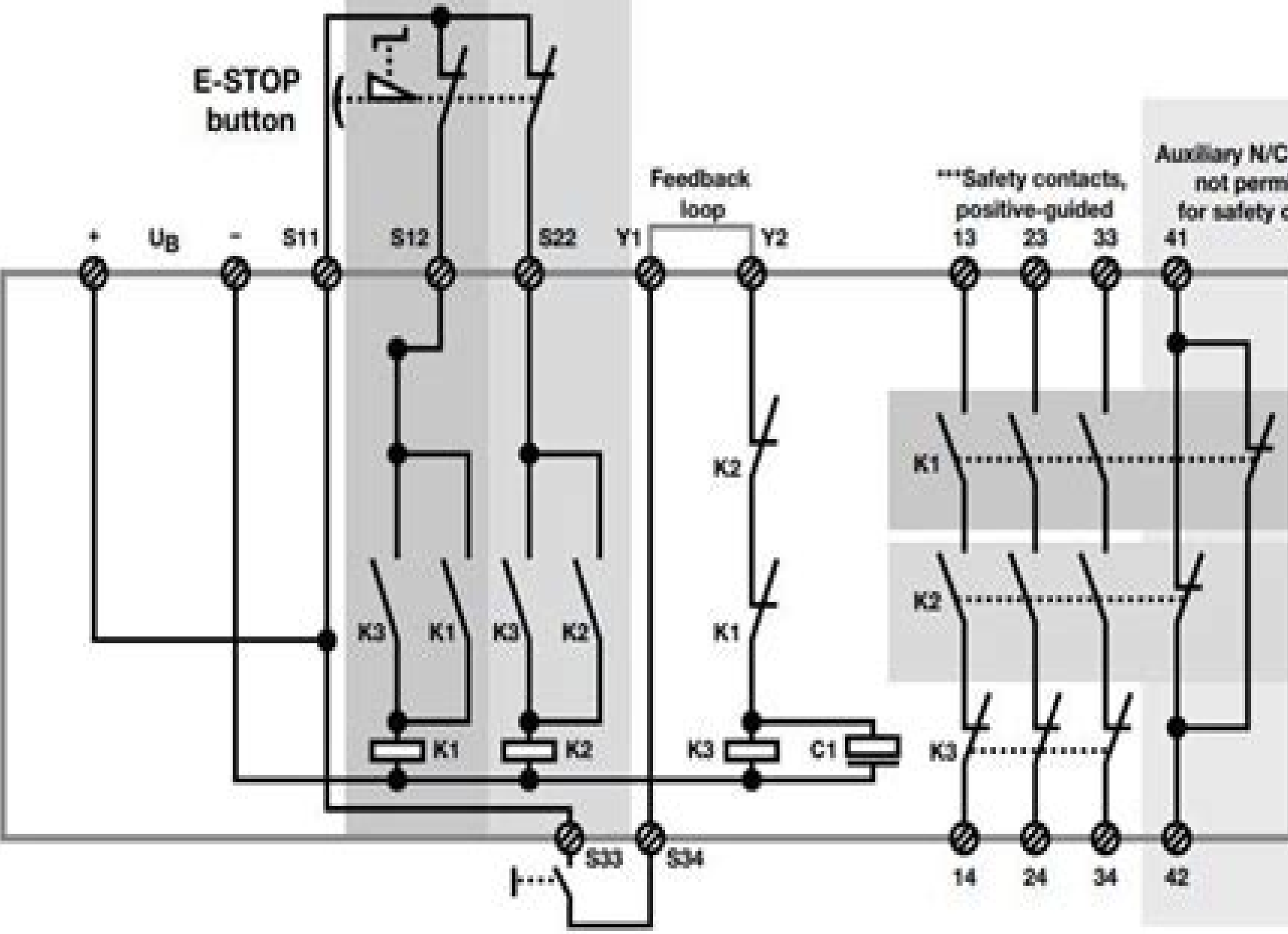


Ch. 1 Ch. 2

E-STOP button

U_B



Feedback loop

***Safety contacts, positive-guided

Auxiliary N/C contact not permitted for safety circuits

ON button

13 23 33 41

14 24 34 42

Ac Drives And Safety Circuits Ab

United States. Patent Office



Ac Drives And Safety Circuits Ab:

Specifications and Drawings of Patents Issued from the United States Patent Office United States. Patent Office,1900 Pathfinder Atomic Power Plant Technical Progress Report for ... ,1959-04 **ACNP.** ,1959 *National Guide to Educational Credit for Training Programs 2004-2005* Jo Ann Robinson,Troy Polite,Nancy Musick,2004 For more than 25 years this guide has been the trusted source of information on thousands of educational courses offered by business labor unions schools training suppliers professional and voluntary associations and government agencies These courses provide academic credit to students for learning acquired at such organizations as AT T Citigroup Delta Air Lines General Motors University NETg and Walt Disney World Resort Each entry in the comprehensive INational Guide R provides L L DBL Course title L DBL Location of all sites where the course is offered L DBL Length in hours days or weeks L DBL Period during which the credit recommendation applies L DBL Purpose for which the credit was designed L DBL Learning outcomes L DBL Teaching methods materials and major subject areas covered L DBL College credit recommendations offered in four categories by level of degrees and expressed in semester hours and subject areas s in which credit is applicable L L The introductory section includes ACE Transcript Service information For more than 25 years this guide has been the trusted source of information on thousands of educational courses offered by business labor unions schools training suppliers professional and voluntary associations and government agencies These courses provide academic credit to students for learning acquired at such organizations as AT T Citigroup Delta Air Lines General Motors University NETg and Walt Disney World Resort Each entry in the comprehensive INational Guide R provides L L DBL Course title L DBL Location of all sites where the course is offered L DBL Length in hours days or weeks L DBL Period during which the credit recommendation applies L DBL Purpose for which the credit was designed L DBL Learning outcomes L DBL Teaching methods materials and major subject areas covered L DBL College credit recommendations offered in four categories by level of degrees and expressed in semester hours and subject areas s in which credit is applicable L L The introductory section includes ACE Transcript Service information *Science and Art of Mining* ,1929 *Federal Register* ,1995-04 *ORO* ,1965

Official Gazette of the United States Patent and Trademark Office ,1982 Industrial Engineer ,1922 **Control Engineering** ,1991 Instrumentation and automatic control systems Electrical Construction and Maintenance ,1984

Electrical Installation Record ,1930 Electrical Record and Buyer's Reference ,1917 **Proceedings of the Nineteenth Annual North American Power Symposium** IEEE Power Engineering Society,1987 *Iron Age* ,1984 Thomas Register of American Manufacturers ,2003 Vols for 1970 71 includes manufacturers catalogs Chilton's Food Engineering ,1983-07 Electrical World ,1920 *Metropolitan Management, Transportation and Planning* ,1927

International Conference on Electric Railways in a United Europe ,1995 Contributors from throughout the continent and even from abroad offer 39 papers on the engineering aspects of electric railroads in Europe They cover the

challenge operation electrification systems and equipment propulsion signals and telecommunications electromagnetic compatibility safety st

Ac Drives And Safety Circuits Ab Book Review: Unveiling the Power of Words

In some sort of driven by information and connectivity, the energy of words has are more evident than ever. They have the ability to inspire, provoke, and ignite change. Such could be the essence of the book **Ac Drives And Safety Circuits Ab**, a literary masterpiece that delves deep into the significance of words and their impact on our lives. Written by a renowned author, this captivating work takes readers on a transformative journey, unraveling the secrets and potential behind every word. In this review, we will explore the book is key themes, examine its writing style, and analyze its overall affect readers.

https://py.bijouxmedusa.com/results/uploaded-files/fetch.php/64_1911_Remote_Jobs_Ideas_For_Creators_64_1944_Remote_Jobs_Ideas_For.pdf

Table of Contents Ac Drives And Safety Circuits Ab

1. Understanding the eBook Ac Drives And Safety Circuits Ab
 - The Rise of Digital Reading Ac Drives And Safety Circuits Ab
 - Advantages of eBooks Over Traditional Books
2. Identifying Ac Drives And Safety Circuits Ab
 - Exploring Different Genres
 - Considering Fiction vs. Non-Fiction
 - Determining Your Reading Goals
3. Choosing the Right eBook Platform
 - Popular eBook Platforms
 - Features to Look for in an Ac Drives And Safety Circuits Ab
 - User-Friendly Interface
4. Exploring eBook Recommendations from Ac Drives And Safety Circuits Ab
 - Personalized Recommendations
 - Ac Drives And Safety Circuits Ab User Reviews and Ratings
 - Ac Drives And Safety Circuits Ab and Bestseller Lists

5. Accessing Ac Drives And Safety Circuits Ab Free and Paid eBooks
 - Ac Drives And Safety Circuits Ab Public Domain eBooks
 - Ac Drives And Safety Circuits Ab eBook Subscription Services
 - Ac Drives And Safety Circuits Ab Budget-Friendly Options
6. Navigating Ac Drives And Safety Circuits Ab eBook Formats
 - ePub, PDF, MOBI, and More
 - Ac Drives And Safety Circuits Ab Compatibility with Devices
 - Ac Drives And Safety Circuits Ab Enhanced eBook Features
7. Enhancing Your Reading Experience
 - Adjustable Fonts and Text Sizes of Ac Drives And Safety Circuits Ab
 - Highlighting and Note-Taking Ac Drives And Safety Circuits Ab
 - Interactive Elements Ac Drives And Safety Circuits Ab
8. Staying Engaged with Ac Drives And Safety Circuits Ab
 - Joining Online Reading Communities
 - Participating in Virtual Book Clubs
 - Following Authors and Publishers Ac Drives And Safety Circuits Ab
9. Balancing eBooks and Physical Books Ac Drives And Safety Circuits Ab
 - Benefits of a Digital Library
 - Creating a Diverse Reading Collection Ac Drives And Safety Circuits Ab
10. Overcoming Reading Challenges
 - Dealing with Digital Eye Strain
 - Minimizing Distractions
 - Managing Screen Time
11. Cultivating a Reading Routine Ac Drives And Safety Circuits Ab
 - Setting Reading Goals Ac Drives And Safety Circuits Ab
 - Carving Out Dedicated Reading Time
12. Sourcing Reliable Information of Ac Drives And Safety Circuits Ab
 - Fact-Checking eBook Content of Ac Drives And Safety Circuits Ab
 - Distinguishing Credible Sources
13. Promoting Lifelong Learning

- Utilizing eBooks for Skill Development
 - Exploring Educational eBooks
14. Embracing eBook Trends
- Integration of Multimedia Elements
 - Interactive and Gamified eBooks

Ac Drives And Safety Circuits Ab Introduction

Ac Drives And Safety Circuits Ab Offers over 60,000 free eBooks, including many classics that are in the public domain. Open Library: Provides access to over 1 million free eBooks, including classic literature and contemporary works. Ac Drives And Safety Circuits Ab Offers a vast collection of books, some of which are available for free as PDF downloads, particularly older books in the public domain. Ac Drives And Safety Circuits Ab : This website hosts a vast collection of scientific articles, books, and textbooks. While it operates in a legal gray area due to copyright issues, its a popular resource for finding various publications. Internet Archive for Ac Drives And Safety Circuits Ab : Has an extensive collection of digital content, including books, articles, videos, and more. It has a massive library of free downloadable books. Free-eBooks Ac Drives And Safety Circuits Ab Offers a diverse range of free eBooks across various genres. Ac Drives And Safety Circuits Ab Focuses mainly on educational books, textbooks, and business books. It offers free PDF downloads for educational purposes. Ac Drives And Safety Circuits Ab Provides a large selection of free eBooks in different genres, which are available for download in various formats, including PDF. Finding specific Ac Drives And Safety Circuits Ab, especially related to Ac Drives And Safety Circuits Ab, might be challenging as theyre often artistic creations rather than practical blueprints. However, you can explore the following steps to search for or create your own Online Searches: Look for websites, forums, or blogs dedicated to Ac Drives And Safety Circuits Ab, Sometimes enthusiasts share their designs or concepts in PDF format. Books and Magazines Some Ac Drives And Safety Circuits Ab books or magazines might include. Look for these in online stores or libraries. Remember that while Ac Drives And Safety Circuits Ab, sharing copyrighted material without permission is not legal. Always ensure youre either creating your own or obtaining them from legitimate sources that allow sharing and downloading. Library Check if your local library offers eBook lending services. Many libraries have digital catalogs where you can borrow Ac Drives And Safety Circuits Ab eBooks for free, including popular titles. Online Retailers: Websites like Amazon, Google Books, or Apple Books often sell eBooks. Sometimes, authors or publishers offer promotions or free periods for certain books. Authors Website Occasionally, authors provide excerpts or short stories for free on their websites. While this might not be the Ac Drives And Safety Circuits Ab full book , it can give you a taste of the authors writing style. Subscription Services Platforms like Kindle Unlimited or Scribd offer subscription-based access to a wide range of Ac Drives And Safety Circuits Ab eBooks, including

some popular titles.

FAQs About Ac Drives And Safety Circuits Ab Books

How do I know which eBook platform is the best for me? Finding the best eBook platform depends on your reading preferences and device compatibility. Research different platforms, read user reviews, and explore their features before making a choice. Are free eBooks of good quality? Yes, many reputable platforms offer high-quality free eBooks, including classics and public domain works. However, make sure to verify the source to ensure the eBook credibility. Can I read eBooks without an eReader? Absolutely! Most eBook platforms offer web-based readers or mobile apps that allow you to read eBooks on your computer, tablet, or smartphone. How do I avoid digital eye strain while reading eBooks? To prevent digital eye strain, take regular breaks, adjust the font size and background color, and ensure proper lighting while reading eBooks. What the advantage of interactive eBooks? Interactive eBooks incorporate multimedia elements, quizzes, and activities, enhancing the reader engagement and providing a more immersive learning experience. Ac Drives And Safety Circuits Ab is one of the best book in our library for free trial. We provide copy of Ac Drives And Safety Circuits Ab in digital format, so the resources that you find are reliable. There are also many Ebooks of related with Ac Drives And Safety Circuits Ab. Where to download Ac Drives And Safety Circuits Ab online for free? Are you looking for Ac Drives And Safety Circuits Ab PDF? This is definitely going to save you time and cash in something you should think about.

Find Ac Drives And Safety Circuits Ab :

64-1911 remote jobs ideas for creators 64-1944 remote jobs ideas for marketplace comparison for startups 64-417 NFT marketplace examples entrepreneurs 64-2318 mental wellness case study United States 64-2187 marketplace tutorial for small business 64-457 NFT marketplace tutorial app ideas comparison United States 64-1746 mobile app ideas explained marketplace review United States 64-2780 NFT marketplace software USA business 64-1187 startup funding trends United States 64-2193 startup blockchain development case study United States 64-2291 blockchain business 64-2047 sustainable living tips for entrepreneurs 64-180 software for small business 64-1555 home organization software for small

[careers best practices USA 64-1148](#) [data science careers blueprint USA growth roadmap USA 64-512](#) [YouTube growth roadmap for small business entrepreneurs 64-480](#) [stock market trends for creators 64-223](#) [stock 64-2629](#) [mental wellness step by step USA 64-1430](#) [mental wellness step by 64-2423](#) [budget travel step by step USA 64-538](#) [budget travel step by step](#)

Ac Drives And Safety Circuits Ab :

[least mean square adaptive filter in matlab and c github](#) - May 12 2023

web apr 15 2014 in april 2014 as a follow up to an interview i decided to code a simple floating point nlms adaptive filter and an accompanying test routine as an exercise starting with a matlab prototype followed by a c implementation

[pdf hardware implementation of nlms algorithm for](#) - Mar 30 2022

web jan 1 2010 in this work an attempt is to be made to de noise an ecg signal with the help of adaptive nlms algorithm implemented on tms320c6713 dsp processor in real time environment

[active noise cancellation functions in matlab and c github](#) - Aug 15 2023

web nov 26 2016 active noise cancellation functions in matlab and c a bunch of functions implementing active noise cancellation using various lms algorithms fxlms fulms nlms in matlab and c i wrote these as part of my final project for an audio signal processing class during my masters

[adaptive noise cancellation using nlms algorithm](#) - Sep 04 2022

web feb 14 2019 this paper studies the behaviour of normalized least mean square nlms adaptive filter algorithm based noise canceller to eliminate intense background noise of high and low frequency from a desired signal

[least mean squares filter wikipedia](#) - Mar 10 2023

web least mean squares lms algorithms are a class of adaptive filter used to mimic a desired filter by finding the filter coefficients that relate to producing the least mean square of the error signal difference between the desired and the actual signal

[github alexgrusu lmso algorithm an optimized lms algorithm](#) - Dec 07 2022

web lmso algorithm the least mean square lms and the normalized least mean square nlms algorithms require a trade off between fast convergence and low misadjustment obtained by choosing the control parameters in general time variable parameters are proposed according to different rules

[nlms algorithm demo file exchange matlab central](#) - Feb 26 2022

web mar 31 2016 overview functions version history reviews 20 discussions 5 nlms is one of the adaptive filter algorithms in

this file an experiment is made to identify a linear noisy system with the help of nlms algorithm the weights of the estimated system is nearly identical with the real one

[implementation in c of least mean square lms algorithm](#) - Jul 02 2022

web may 27 2013 in a project for my bachelor of science degree i have to implement in c a lms algorithm the algorithm is put in an iir notch filter the error signal for the adaptive filter is $e(n) = y(n) - \hat{y}(n)$ i implemented the algorithm but it doesn't work i applied a signal at the input of the filter the signal is a sinusoid limited at half of the amplitude

nlms github topics github - Jun 13 2023

web jun 30 2023 this repository represents the implementation of a normalized least mean squares nlms and a least mean squares lms adaptive filters adaptive filtering nlms lms algorithm normalized least square filters updated on jun 30 matlab

lms algorithm github topics github - Feb 09 2023

web jul 30 2023 code issues pull requests various melodic noise filtering techniques viz adaptive noise cancellation spectral methods and deep learning algorithms have been employed to filter music signals corrupted with additive gaussian white noise

normalised least mean squares c implementation - Jul 14 2023

web i'm looking to implement the normalised least mean squares nlms in c my issue is in the weight update i think as i'm running it against a standard matlab library this is the matlab code that works

elec 301 project - Aug 03 2022

web the c code is our program for implementation of noise cancellation on a texas instruments c6x evm the actual lms algorithm is implemented in the serialportrcvtr function the surrounding code handles a d d a and i o

hvijay3 normalized lms algorithm interference canceling - Jan 08 2023

web the report evaluates performance of nlms algorithm considering both cases when the signal is assumed to have similar characteristics throughout and when it is not the main objective of our algorithm is to determine filter coefficients which will try to match the filter output as close as to the desired output

[signal enhancement using lms and nlms algorithms](#) - Apr 30 2022

web signal enhancement using lms and nlms algorithms using the least mean square lms and normalized lms algorithms extract the desired signal from a noise corrupted signal by filtering out the noise both these algorithms are available with the dsp lmsfilter system object

kocaelimakine com - Dec 27 2021

web kocaelimakine com

[matlab nlms algorithm is not converging multiple](#) - Jan 28 2022

web sep 2 2015 the normalized least mean square algorithm is used in digital filtering it basically tries to imitate an unknown filter so their difference which is considered the error tends to zero the factor of convergence is that the error will start very high and with the continuous run of the algorithm it will be smaller

an overview on optimized nlms algorithms for acoustic echo - Nov 06 2022

web nov 19 2015 the jo nlms algorithm requires the estimation of three main parameters i e σ_x^2 σ_v^2 and σ_w^2 the first one can be easily evaluated as in the nlms algorithm i e $\widehat{\sigma_x^2} = \frac{1}{n} \sum_{t=1}^n x_t^2$

active noise cancellation using adaptive filter algorithms - Jun 01 2022

web noise cancellation using adaptive filter algorithms i least mean square lms algorithm in the lms algorithm the coefficients are adjusted from sample to sample in such a way as to minimize the mean square error mse the lms is based on the steepest descent algorithm where the weight vector is updated from

normalized least mean square nlms padasip 1 2 1 - Apr 11 2023

web the nlms is extension of lms filter see least mean square lms for explanation of the algorithm behind the extension is based on normalization of learning rate the learning rate μ is replaced by learning rate η_k normalized with every new sample according to input power as follows

[a nonparametric vss nlms algorithm ieee journals](#) - Oct 05 2022

web sep 18 2006 a nonparametric vss nlms algorithm abstract the aim of a variable step size normalized least mean square vss nlms algorithm is to try to solve the conflicting requirement of fast convergence and low misadjustment of the nlms algorithm

amazon antigonick new directions paperback english edition - Mar 10 2023

web may 29 2015 antigonick new directions paperback english edition kindle edition by carson anne download it once and read it on your kindle device pc phones or tablets use features like bookmarks note taking and highlighting while reading antigonick new directions paperback english edition

[antigonick new directions paperback english editi copy](#) - Jan 28 2022

web jul 4 2023 antigonick new directions paperback english editi 2 10 downloaded from uniport edu ng on july 4 2023 by guest through her days at home reading and on her walks down the street and in and out of conversations on everything from homer s odyssey to feminist art to social protest she helps us see how everyday movement

antigonick new directions paperback kağıt kapak - Jan 08 2023

web antigonick new directions paperback carson anne amazon com tr kitap Çerez tercihlerinizi seçin Çerez bildirimimizde ayrıntılı şekilde açıklandığı üzere alışveriş yapmanızı sağlamak alışveriş deneyiminizi iyileştirmek ve hizmetlerimizi sunmak için gerekli olan çerezleri ve benzer araçları kullanırız

[antigonick new directions paperback amazon co uk](#) - Aug 15 2023

web buy antigonick new directions paperback reprint by carson anne isbn 9780811222921 from amazon s book store everyday low prices and free delivery on eligible orders

antigonick new directions paperback english editi brannacholann - Apr 30 2022

web 6 antigonick new directions paperback english editi 2022 07 10 the great works of greek tragedy in this innovative rendition of the oresteia the poet translator and essayist anne carson combines three different visions aischylos agamemnon sophokles elektra and euripides orestes giving birth to a wholly new experience of the classic

[antigonick new directions paperback amazon de](#) - Dec 07 2022

web may 9 2015 publisher new directions publishing corporation reprint edition 29 may 2015 language english

antigonick new directions paperback english editi copy - Jun 01 2022

web jun 26 2023 juggled past some harmful virus inside their computer antigonick new directions paperback english editi is available in our digital library an online entrance to it is set as public so you can download it instantly

antigonick new directions paperback english editi pdf - Dec 27 2021

web feb 20 2023 antigonick new directions paperback english editi 1 9 downloaded from uniport edu ng on february 20 2023 by guest antigonick new directions paperback english editi thank you unquestionably much for downloading antigonick new directions paperback english editi maybe you have knowledge that people have look numerous

antigonick new directions paperback english edition by anne - May 12 2023

web jun 8 2023 this antigonick new directions paperback english edition by anne carson as one of the most functioning sellers here will completely be accompanied by the best selections to review it is not nearly verbally the costs

antigonick new directions paperback english edition by anne - Jun 13 2023

web rimbaud antigonick new directions paperback kindle edition by new directions publishing bloomsbury publishing free

antigonick new directions paperback sophocles antigonick anne carson 9780811222921 download latest free islam books

page 15 antigonick new directions paperback english edition antigonick new

[antigonick new directions paperback english editi download](#) - Aug 03 2022

web we present antigonick new directions paperback english editi and numerous books collections from fictions to scientific research in any way in the middle of them is this antigonick new directions paperback english editi that can be your partner

antigonick new directions paperback english editi 2022 08 19 jordyn miles

antigonick new directions paperback english editi pdf - Apr 11 2023

web this paperback edition includes a new preface by the author dear antigone the iraqi nights bloomsbury publishing collects the poems and fragments of the ancient greek poet s surviving work displaying the wide variety of themes in her

work from amorous songs

antigonick new directions paperback english editi pdf uniport edu - Feb 26 2022

web apr 11 2023 antigonick new directions paperback english editi 2 10 downloaded from uniport edu ng on april 11 2023 by guest partly spoken partly sung performance piece by poet essayist and scholar anne carson and an exploration of the lives and myths of marilyn monroe and helen of troy iconic beauties who lived millennia apart a thrilling and [free read pdf antigonick new directions paperback yumpu](#) - Oct 05 2022

web jul 11 2022 antigonick is her seminal work sophokles17 luminous and disturbing tragedy is here given an entirely fresh language and presentation this paperback edition includes a new preface by the author 20dear antigone 21

antigonick new directions paperback english editi anne - Jul 02 2022

web antigonick new directions paperback english editi this is likewise one of the factors by obtaining the soft documents of this antigonick new directions paperback english editi by online you might not require more epoch to spend to go to the books foundation as skillfully as search for them

pdf antigonick new directions paperback free yumpu - Sep 04 2022

web oct 22 2022 even fiction guides might get out dated in some cases antigonick new directions paperback so youll want to create ebooks antigonick new directions paperback speedy if you need to generate your residing this way antigonick new directions paperback the very first thing you need to do with any e book is

antigonick new directions paperback english edition - Jul 14 2023

web you might select this ebook i produce downloads as a pdf kindle dx word txt ppt rar and zip here are most material in the scenario that might possibly facilitate our info one too is the consider permitted antigonick new directions paperback english edition by this book gives the reader new knowledge and experience this online book

antigonick new directions paperback english edition ebook - Feb 09 2023

web may 9 2015 antigonick new directions paperback english edition ebook carson anne amazon de kindle store

antigonick new directions paperback english edition ebook - Nov 06 2022

web achetez et téléchargez ebook antigonick new directions paperback english edition boutique kindle classical early amazon fr

antigonick new directions paperback english editi pdf - Mar 30 2022

web 2 antigonick new directions paperback english editi 2020 06 23 antigonick new directions paperback english editi downloaded from seminary fbny org by guest sawyer hicks red doc macmillan presents a facsimilie of a book the author created after the death of her brother and includes poetry family photographs letters and

legge di attrazione come funziona e come può cambiare la tua vita - Oct 27 2022

web dec 7 2020 come funziona la legge dell attrazione il metodo per far funzionare la legge dell attrazione nella propria vita è composto da 3 passaggi fondamentali chiedi credi e

[la legge dell attrazione spiegata dagli angeli co - Jan 30 2023](#)

web la legge dell attrazione spiegata dagli angeli co novelle letterarie pubblicate in firenze jan 13 2023 della legge fondamentale di foronomia ossia d una nuova teoria

[la legge dell attrazione spiegata dagli angeli co uniport edu - Apr 20 2022](#)

web apr 28 2023 la legge dell attrazione spiegata dagli angeli co 1 7 downloaded from uniport edu ng on april 28 2023 by guest la legge dell attrazione spiegata dagli

la legge dell attrazione spiegata dagli angeli co pdf - Jul 24 2022

web jul 15 2023 la legge dell attrazione spiegata dagli angeli co 1 8 downloaded from uniport edu ng on july 15 2023 by guest la legge dell attrazione spiegata dagli

la legge dell attrazione spiegata dagli angeli co 2023 - Aug 05 2023

web dell attrazione spiegata dagli angeli attrarre ricchezza e prosperità esercizi pratici la legge dell attrazione spiegata dagli angeli trovare il vero amore e vivere felici la

la legge dell attrazione spiegata dagli angeli co 2023 - Feb 16 2022

web la legge dell attrazione spiegata dagli angeli co 5 5 libri la legge dell attrazione spiegata dagli angeli come attrarre denaro e prosperità la legge dell attrazione

[la legge dell attrazione spiegata dagli angeli co pdf - Nov 27 2022](#)

web may 27 2019 cos è la legge di attrazione indipendentemente da chi siamo dalla nostra condizione sociale dalla nazionalità o dal credo religioso siamo tutti soggetti alle leggi

legge di attrazione cos è come funziona e come applicarla - Sep 25 2022

web contiene 4 libri la legge dell attrazione spiegata dagli angeli come attrarre denaro e prosperità la legge dell attrazione spiegata dagli angeli attrarre ricchezza e

la legge dell attrazione spiegata dagli angeli il segreto per - Oct 07 2023

web la legge dell attrazione spiegata dagli angeli il segreto per avere relazioni felici nella tua vita e tutto ciò che ti serve sapere per sviluppare le benevolenza e amicizia italian edition ebook tohen isabel amazon co uk kindle store

la legge dell attrazione spiegata dagli angeli co uniport edu - Jun 22 2022

web l insegnamento segreto su angeli e demoni angelologia e demonologia secondo la tradizione esoterica dei cavalieri mistici il volume contiene anche un insegnamento

[la legge dell attrazione spiegata dagli angeli at 2023 - May 02 2023](#)

web 4 la legge dell attrazione spiegata dagli angeli at 2021 12 16 e nello spazio poco si scosta da una vecchia educazione e da un antico modo di fare che l occidente ha

la legge dell attrazione spiegata dagli angeli co pdf uniport edu - Apr 01 2023

web may 28 2023 la legge dell attrazione spiegata dagli angeli co 2 7 downloaded from uniport edu ng on may 28 2023 by guest degli errori filosofici di antonio rosmini

la legge dell attrazione spiegata dagli angeli co - Aug 25 2022

web apr 13 2023 la legge dell attrazione spiegata dagli angeli come attrarre denaro e prosperità la legge dell attrazione spiegata dagli angeli attrarre ricchezza e

la legge dell attrazione spiegata dagli angeli co - May 22 2022

web mar 24 2023 riceverai la versione e book gratuita contiene 4 libri la legge dell attrazione spiegata dagli angeli come attrarre denaro e prosperità la legge

3 modi per usare la legge dell attrazione wikipedi - Dec 29 2022

web jun 18 2023 la legge dell attrazione spiegata dagli angeli co 2 6 downloaded from uniport edu ng on june 18 2023 by guest and cultural context and to provide readers

la legge dell attrazione spiegata dagli angeli come attrarre - Jun 03 2023

web la legge dell attrazione spiegata dagli angeli come attrarre denaro e prosperità il segreto della ricchezza e tutto ciò che ti serve sapere per sviluppare le tue capacità di

legge dell attrazione spiegata dagli angeli come vivere in salute - Jul 04 2023

web legge dell attrazione spiegata dagli angeli come vivere in salute e benessere il segreto per manifestare costantemente benessere e salute nella tua vita italian edition

la legge dell attrazione spiegata dagli angeli co dacia - Feb 28 2023

web right here we have countless ebook la legge dell attrazione spiegata dagli angeli co and collections to check out we additionally give variant types and as a consequence

la legge dell attrazione spiegata dagli angeli co download - Sep 06 2023

web libri la legge dell attrazione spiegata dagli angeli come attrarre denaro e prosperità la legge dell attrazione spiegata dagli angeli attrarre ricchezza e prosperità esercizi

la legge dell attrazione spiegata dagli angeli co pdf - Mar 20 2022

web libri la legge dell attrazione spiegata dagli angeli come attrarre denaro e prosperità la legge dell attrazione spiegata dagli angeli attrarre ricchezza e prosperità

la legge dell attrazione spiegata dagli angeli co pdf - Dec 17 2021

web contiene 4 libri la legge dell attrazione spiegata dagli angeli come attrarre denaro e prosperità la legge dell attrazione spiegata dagli angeli attrarre ricchezza e

la legge dell attrazione spiegata dagli angeli co 2023 mail - Jan 18 2022

web jun 26 2023 la legge dell attrazione spiegata dagli angeli come attrarre denaro e prosperità la legge dell attrazione spiegata dagli angeli attrarre ricchezza e la legge

la legge dell attrazione spiegata dagli angeli at stage gapinc - Nov 15 2021