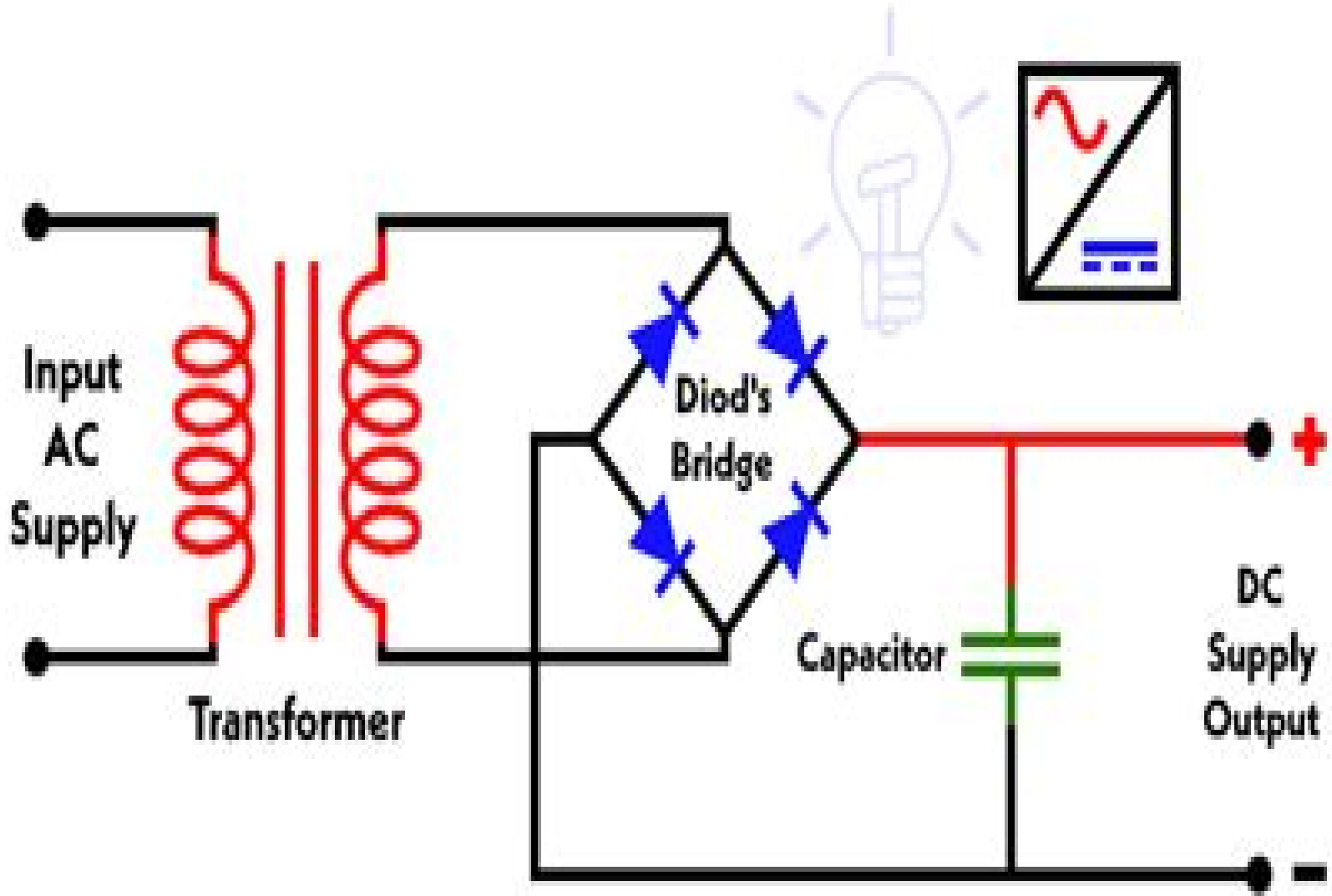


AC-DC Converter - Types of Converters Based on Rectifiers



Ac To Dc Converter

Joacim Rocklöv



Ac To Dc Converter:

Ac To Dc Converter: Bestsellers in 2023 The year 2023 has witnessed a noteworthy surge in literary brilliance, with numerous compelling novels enthralling the hearts of readers worldwide. Lets delve into the realm of bestselling books, exploring the captivating narratives that have enthralled audiences this year. Ac To Dc Converter : Colleen Hoover's "It Ends with Us" This touching tale of love, loss, and resilience has captivated readers with its raw and emotional exploration of domestic abuse. Hoover expertly weaves a story of hope and healing, reminding us that even in the darkest of times, the human spirit can prevail. Ac To Dc Converter : Taylor Jenkins Reids "The Seven Husbands of Evelyn Hugo" This spellbinding historical fiction novel unravels the life of Evelyn Hugo, a Hollywood icon who defies expectations and societal norms to pursue her dreams. Reids captivating storytelling and compelling characters transport readers to a bygone era, immersing them in a world of glamour, ambition, and self-discovery. Ac To Dc Converter : Delia Owens "Where the Crawdads Sing" This evocative coming-of-age story follows Kya Clark, a young woman who grows up alone in the marshes of North Carolina. Owens spins a tale of resilience, survival, and the transformative power of nature, captivating readers with its evocative prose and mesmerizing setting. These popular novels represent just a fraction of the literary treasures that have emerged in 2023. Whether you seek tales of romance, adventure, or personal growth, the world of literature offers an abundance of captivating stories waiting to be discovered. The novel begins with Richard Papen, a bright but troubled young man, arriving at Hampden College. Richard is immediately drawn to the group of students who call themselves the Classics Club. The club is led by Henry Winter, a brilliant and charismatic young man. Henry is obsessed with Greek mythology and philosophy, and he quickly draws Richard into his world. The other members of the Classics Club are equally as fascinating. Bunny Corcoran is a wealthy and spoiled young man who is always looking for a good time. Charles Tavis is a quiet and reserved young man who is deeply in love with Henry. Camilla Macaulay is a beautiful and intelligent young woman who is drawn to the power and danger of the Classics Club. The students are all deeply in love with Morrow, and they are willing to do anything to please him. Morrow is a complex and mysterious figure, and he seems to be manipulating the students for his own purposes. As the students become more involved with Morrow, they begin to commit increasingly dangerous acts. The Secret History is a brilliant and gripping novel that will keep you wondering until the very end. The novel is a cautionary tale about the dangers of obsession and the power of evil.

https://py.bijouxmedusa.com/results/uploaded-files/Download_PDFS/A%20Walk%20Between%20Worlds%20Truth%20Is%20Beauty%20The%20Zero.pdf

Table of Contents Ac To Dc Converter

1. Understanding the eBook Ac To Dc Converter
 - The Rise of Digital Reading Ac To Dc Converter
 - Advantages of eBooks Over Traditional Books
2. Identifying Ac To Dc Converter
 - Exploring Different Genres
 - Considering Fiction vs. Non-Fiction
 - Determining Your Reading Goals
3. Choosing the Right eBook Platform
 - Popular eBook Platforms
 - Features to Look for in an Ac To Dc Converter
 - User-Friendly Interface
4. Exploring eBook Recommendations from Ac To Dc Converter
 - Personalized Recommendations
 - Ac To Dc Converter User Reviews and Ratings
 - Ac To Dc Converter and Bestseller Lists
5. Accessing Ac To Dc Converter Free and Paid eBooks
 - Ac To Dc Converter Public Domain eBooks
 - Ac To Dc Converter eBook Subscription Services
 - Ac To Dc Converter Budget-Friendly Options
6. Navigating Ac To Dc Converter eBook Formats
 - ePub, PDF, MOBI, and More
 - Ac To Dc Converter Compatibility with Devices
 - Ac To Dc Converter Enhanced eBook Features
7. Enhancing Your Reading Experience
 - Adjustable Fonts and Text Sizes of Ac To Dc Converter
 - Highlighting and Note-Taking Ac To Dc Converter
 - Interactive Elements Ac To Dc Converter
8. Staying Engaged with Ac To Dc Converter

- Joining Online Reading Communities
 - Participating in Virtual Book Clubs
 - Following Authors and Publishers Ac To Dc Converter
9. Balancing eBooks and Physical Books Ac To Dc Converter
- Benefits of a Digital Library
 - Creating a Diverse Reading Collection Ac To Dc Converter
10. Overcoming Reading Challenges
- Dealing with Digital Eye Strain
 - Minimizing Distractions
 - Managing Screen Time
11. Cultivating a Reading Routine Ac To Dc Converter
- Setting Reading Goals Ac To Dc Converter
 - Carving Out Dedicated Reading Time
12. Sourcing Reliable Information of Ac To Dc Converter
- Fact-Checking eBook Content of Ac To Dc Converter
 - Distinguishing Credible Sources
13. Promoting Lifelong Learning
- Utilizing eBooks for Skill Development
 - Exploring Educational eBooks
14. Embracing eBook Trends
- Integration of Multimedia Elements
 - Interactive and Gamified eBooks

Ac To Dc Converter Introduction

In the digital age, access to information has become easier than ever before. The ability to download Ac To Dc Converter has revolutionized the way we consume written content. Whether you are a student looking for course material, an avid reader searching for your next favorite book, or a professional seeking research papers, the option to download Ac To Dc Converter has opened up a world of possibilities. Downloading Ac To Dc Converter provides numerous advantages over physical copies of books and documents. Firstly, it is incredibly convenient. Gone are the days of carrying around heavy textbooks or bulky folders filled with papers. With the click of a button, you can gain immediate access to valuable resources on any device. This

convenience allows for efficient studying, researching, and reading on the go. Moreover, the cost-effective nature of downloading Ac To Dc Converter has democratized knowledge. Traditional books and academic journals can be expensive, making it difficult for individuals with limited financial resources to access information. By offering free PDF downloads, publishers and authors are enabling a wider audience to benefit from their work. This inclusivity promotes equal opportunities for learning and personal growth. There are numerous websites and platforms where individuals can download Ac To Dc Converter. These websites range from academic databases offering research papers and journals to online libraries with an expansive collection of books from various genres. Many authors and publishers also upload their work to specific websites, granting readers access to their content without any charge. These platforms not only provide access to existing literature but also serve as an excellent platform for undiscovered authors to share their work with the world. However, it is essential to be cautious while downloading Ac To Dc Converter. Some websites may offer pirated or illegally obtained copies of copyrighted material. Engaging in such activities not only violates copyright laws but also undermines the efforts of authors, publishers, and researchers. To ensure ethical downloading, it is advisable to utilize reputable websites that prioritize the legal distribution of content. When downloading Ac To Dc Converter, users should also consider the potential security risks associated with online platforms. Malicious actors may exploit vulnerabilities in unprotected websites to distribute malware or steal personal information. To protect themselves, individuals should ensure their devices have reliable antivirus software installed and validate the legitimacy of the websites they are downloading from. In conclusion, the ability to download Ac To Dc Converter has transformed the way we access information. With the convenience, cost-effectiveness, and accessibility it offers, free PDF downloads have become a popular choice for students, researchers, and book lovers worldwide. However, it is crucial to engage in ethical downloading practices and prioritize personal security when utilizing online platforms. By doing so, individuals can make the most of the vast array of free PDF resources available and embark on a journey of continuous learning and intellectual growth.

FAQs About Ac To Dc Converter Books

What is a Ac To Dc Converter PDF? A PDF (Portable Document Format) is a file format developed by Adobe that preserves the layout and formatting of a document, regardless of the software, hardware, or operating system used to view or print it.

How do I create a Ac To Dc Converter PDF? There are several ways to create a PDF: Use software like Adobe Acrobat, Microsoft Word, or Google Docs, which often have built-in PDF creation tools. Print to PDF: Many applications and operating systems have a "Print to PDF" option that allows you to save a document as a PDF file instead of printing it on paper. Online converters: There are various online tools that can convert different file types to PDF. **How do I edit a Ac To Dc Converter**

PDF? Editing a PDF can be done with software like Adobe Acrobat, which allows direct editing of text, images, and other elements within the PDF. Some free tools, like PDFescape or Smallpdf, also offer basic editing capabilities. **How do I convert a Ac To Dc Converter PDF to another file format?** There are multiple ways to convert a PDF to another format: Use online converters like Smallpdf, Zamzar, or Adobe Acrobats export feature to convert PDFs to formats like Word, Excel, JPEG, etc. Software like Adobe Acrobat, Microsoft Word, or other PDF editors may have options to export or save PDFs in different formats. **How do I password-protect a Ac To Dc Converter PDF?** Most PDF editing software allows you to add password protection. In Adobe Acrobat, for instance, you can go to "File" -> "Properties" -> "Security" to set a password to restrict access or editing capabilities. Are there any free alternatives to Adobe Acrobat for working with PDFs? Yes, there are many free alternatives for working with PDFs, such as: LibreOffice: Offers PDF editing features. PDFsam: Allows splitting, merging, and editing PDFs. Foxit Reader: Provides basic PDF viewing and editing capabilities. How do I compress a PDF file? You can use online tools like Smallpdf, ILovePDF, or desktop software like Adobe Acrobat to compress PDF files without significant quality loss. Compression reduces the file size, making it easier to share and download. Can I fill out forms in a PDF file? Yes, most PDF viewers/editors like Adobe Acrobat, Preview (on Mac), or various online tools allow you to fill out forms in PDF files by selecting text fields and entering information. Are there any restrictions when working with PDFs? Some PDFs might have restrictions set by their creator, such as password protection, editing restrictions, or print restrictions. Breaking these restrictions might require specific software or tools, which may or may not be legal depending on the circumstances and local laws.

Find Ac To Dc Converter :

[a walk between worlds truth is beauty the gero](#)

a dictionary of jamaican english

~~a dictionary of political science~~

~~a pedigree to die for melanie travis 1 laurien berenson~~

a massage therapists guide to pathology

a new tune a day for cello book 1

7th edition calculus early transcendentals metric version

[8051 projects with source code quickc](#)

7800051838 UUS105

[a handbook of lesser known timbers](#)

[80x86 ibm pc and compatible computers assembly language design and interfacing lab](#)

7 ways to increase foot traffic to your small business

[a research review on thermal coating](#)

[8086 microprocessor serial communication with pc youtube](#)

[750 powerpoint charts diagrams ceo pack](#)

Ac To Dc Converter :

diana widmaier nieta de picasso a mi abuelo le gustaba el olor de - Feb 28 2022

web nov 14 2023 *diana widmaier nieta de picasso a mi abuelo le gustaba el olor de las mujeres y de la pintura doctorada en historia del arte por la sorbona y experta en la obra picassiana ha creado una*

[la guardiana del ámbar spanish edition kindle edition](#) - Jun 15 2023

web may 10 2016 *kindle edition ambientada con el telón de fondo de la rusia revolucionaria la guardiana del ámbar es una historia apasionante de celos y venganza reconciliación y perdón inglaterra distrito de los lagos años sesenta la joven abbie myers vuelve a casa tras la muerte de su madre*

la guardiana del ámbar ecured - Dec 09 2022

web ambientada con el telón de fondo de la rusia revolucionaria la guardiana del ámbar es una historia apasionante de celos y venganza reconciliación y perdón sumario 1 sinopsis 2 argumento 3 datos de la autora 4 fuentes sinopsis inglaterra distrito de los lagos años sesenta la joven abbie myers vuelve a casa tras la muerte de su madre

[la guardiana del ámbar paperback 3 may 2016 amazon ae](#) - Nov 08 2022

web buy la guardiana del ámbar by lightfoot freda aragón lópez Ángeles online on amazon ae at best prices fast and free shipping free returns cash on delivery available on eligible purchase

[la guardiana del Ámbar freda lightfoot casa del](#) - Aug 17 2023

web la guardiana de ámbar freda lightfoot isbn 9781503934023 2014 encuadernación de tapa blanda q042255 amazon crossing 397pp ambientada con el telón de fondo de rusia revolucionaria es una historia apasionada

la guardiana del ámbar spanish edition paperback amazon com - Sep 06 2022

web may 10 2016 *la guardiana del ámbar spanish edition lightfoot freda aragón lópez Ángeles on amazon com free shipping on qualifying offers la guardiana del ámbar spanish edition*

la guardiana del ámbar spanish edition edición kindle - Apr 13 2023

web amazon com la guardiana del ámbar spanish edition ebook lightfoot freda aragón lópez Ángeles tienda kindle

la guardiana del ámbar spanish edition kindle edition - Aug 05 2022

web la guardiana del ámbar spanish edition ebook lightfoot freda aragón lópez Ángeles amazon in kindle store

la guardiana del ámbar versión kindle amazon es - Sep 18 2023

web ambientada con el telón de fondo de la rusia revolucionaria la guardiana del ámbar es una historia apasionante de celos y venganza reconciliación y perdón inglaterra distrito de los lagos años sesenta la joven abbie myers vuelve a

la guardiana del ámbar by freda lightfoot goodreads - Oct 19 2023

web dec 1 2014 ambientada con el telón de fondo de la rusia revolucionaria la guardiana del ámbar es una historia apasionante de celos y venganza reconciliación y perdón inglaterra distrito de los lagos años la joven abbie myers vuelve a

la guardiana del ambar paperback waterstones - Jul 04 2022

web may 10 2016 buy la guardiana del ambar by freda lightfoot angeles aragon lopez from waterstones today click and collect from your local waterstones or get free uk delivery on orders over 25 la guardiana del ambar by freda lightfoot angeles aragon lopez waterstones

amazon es opiniones de clientes la guardiana del ámbar - Jan 10 2023

web es una historia preciosa de mujeres valientes y luchadoras la mayor parte se sitúa en rusia y cuenta todo lo que tuvo que pasar una chica inglesa que se fue de institutriz a rusia con una condesa que la engatusó para que cuidara de sus hijos y resultó ser malísima y caprichosa y años después se desató la revolución y pasó mucho hasta

la guardiana del ámbar spanish edition kindle edition - May 02 2022

web may 10 2016 la guardiana del ámbar spanish edition ebook lightfoot freda aragón lópez Ángeles amazon ca kindle store *la guardiana del Ámbar freda lightfoot libros libros* - Oct 07 2022

web la guardiana del ámbar lightfoot freda autor 4 30 eur comprar precios con iva y con transporte incluido entrega en 24 horas para españa el comienzo de la novela es una maravilla el drama te golpea en la cara de inmediato y a la vez te engancha en la historia de manera fulgurante

la guardiana del ámbar spanish edition softcover abebooks - Feb 11 2023

web ambientada con el telón de fondo de la rusia revolucionaria la guardiana del ámbar es una historia apasionante de celos y venganza reconciliación y perdón inglaterra distrito de los lagos años sesenta la joven abbie myers vuelve a

la guardiana del Ámbar freda lightfoot - Mar 12 2023

web cuyarapa sinopsis ambientada con el telón de fondo de la rusia revolucionaria la guardiana del ámbar es una historia apasionante de celos y venganza reconciliación y perdón inglaterra distrito de los lagos años sesenta la joven abbie myers vuelve a casa tras la muerte de su madre

la guardiana del ámbar edición kindle amazon com mx - May 14 2023

web ambientada con el telón de fondo de la rusia revolucionaria la guardiana del ámbar es una historia apasionante de celos y venganza reconciliación y perdón inglaterra distrito de los lagos años sesenta la joven abbie myers vuelve a

[la guardiana del ambar alibris](#) - Jun 03 2022

web buy la guardiana del ambar by freda lightfoot ngeles arag n l pez translator online at alibris we have new and used copies available in 1 editions starting at 18 78 shop now

[la guardiana del ámba freda lightfoot lectuepubgratis](#) - Apr 01 2022

web la guardiana del ámba freda lightfoot inglaterra distrito de los lagos años sesenta la joven abbie myers vuelve a casa tras la muerte de su madre después de haber permanecido alejada de su turbulenta familia durante años le rompe el corazón enterarse de que la culpan de la tragedia

[la guardiana del ámba lightfoot freda aragón lópez](#) - Jul 16 2023

web ambientada con el telón de fondo de la rusia revolucionaria la guardiana del ámba es una historia apasionante de celos y venganza reconciliación y perdón inglaterra distrito de los lagos años sesenta la joven abbie myers vuelve a

[cambridge o level economics 2281 economics 2009](#) - Mar 08 2023

web the cambridge o levels economics syllabus development einem understanding of economic terminology additionally guiding and are basic economic theory learners

[economics 2009 november paper 1 papers xtremepapers pdf](#) - Dec 05 2022

web right here we have countless books economics 2009 november paper 1 papers xtremepapers and collections to check out we additionally come up with the money for

further mathematics papers xtremepapers - Dec 25 2021

web economics 2009 november paper 1 papers xtremepapers economics 2009 november paper 1 papers xtremepapers igcse economics past papers teachifyme a level

economics 2009 november paper 1 papers xtremepapers full - Feb 07 2023

web economics 2009 november paper 1 papers xtremepapers is available in our book collection an online access to it is set as public so you can get it instantly our books

economics 2009 november paper 1 papers xtremepapers liululu - Jan 06 2023

web economics 2009 november paper 1 papers xtremepapers university of cambridge international examinations copyright start your reading journey

[9708 economics papers xtremepapers pdf flyblueduck](#) - Sep 02 2022

web oct 13 2023 economics papers that you must read business insider economics 2009 november paper 1 papers xtremepapers the scariest economics paper of 2022

cxc csec economics 2009 may past papers documents and e - Jan 26 2022

web may 9 2020 test code form tp 20090s6 01216020 may june 2009 caribbean examinations council secondary education

certificate examination

economics 2009 november paper 1 papers xtremepapers pdf - Oct 03 2022

web as this economics 2009 november paper 1 papers xtremepapers it ends up bodily one of the favored book economics

2009 november paper 1 papers xtremepapers

9708 economics papers xtremepapers pdf flyblueduck - Nov 04 2022

web oct 13 2023 papers that you must read economics 2009 november paper 1 papers xtremepapers the scariest economics paper of 2022 bloomberg australia considers

papers xtremepapers - Oct 15 2023

web download past papers marking schemes specimen papers examiner reports syllabus and other exam materials for caie edexcel ib ielts sat toefl and much more

economics 2009 november paper 1 papers xtremepapers - Mar 28 2022

web jan 4 2023 all we allow economics 2009 november paper 1 papers xtremepapers and numerous ebook collections from fictions to scientific research in any way in the midst of

economics 2009 november paper 1 papers xtremepapers pdf - May 30 2022

web 2015 06 23 1 12 economics 2009 november paper 1 papers xtremepapers introduction economics 2009 november paper 1 papers xtremepapers pdf

past papers o levels economics 2281 2009 gce guide - Aug 01 2022

web aug 13 2023 caie past papers for cambridge o level cambridge int l as and a level and cambridge igcse subjects past papers o levels economics 2281 2009

0455 w09 ms 1 physics maths tutor - Apr 09 2023

web mark scheme for the october november 2009 question paper for the guidance of teachers 0455 economics 0455 01 paper 1 multiple choice maximum raw mark 30

igcse economics 2009 past papers cie notes - Jul 12 2023

web jul 13 2018 complete igcse economics 2009 past papers directory igcse economics may june past papers 0455 s09 er 0455 s09 gt 0455 s09 in 3

mark scheme for the october november 2009 question paper - Nov 23 2021

web mark schemes must be read in conjunction with the question papers and the report on the examination cie will not enter into discussions or correspondence in connection with

economics 2009 november paper 1 papers xtremepapers - May 10 2023

web 2 economics 2009 november paper 1 papers xtremepapers 2023 04 29 november paper 2 november paper 3 june paper

2 economics a level exams free zimsec

economics 2009 november paper 1 papers xtremepapers - Feb 24 2022

web 2 economics 2009 november paper 1 papers xtremepapers 2022 12 10 current research and emerging concepts that frame the field consisting of original substantive

university of cambridge international - Aug 13 2023

web economics 9708 11 paper 1 multiple choice core october november 2009 1 hour additional materials multiple choice answer sheet soft clean eraser soft pencil type b

[economics 2009 november paper 1 papers xtremepapers](#) - Jun 30 2022

web the economics 2009 november paper 1 papers xtremepapers associate that we allow here and check out the link you could purchase guide economics 2009 november

economics 2009 xtremepapers - Sep 14 2023

web may 28 2010 papers caie edexcel ielts sat ib forums new posts search forums revision economics 2009 thread starter anonymous7 start date may 27 2010

economics 2009 november paper 1 papers xtremepapers - Apr 28 2022

web jan 10 2023 economics 2009 november paper 1 papers xtremepapers 1 5 downloaded from npost com on january 10 2023 by guest epub economics

[oct nov 2009 igcse economics paper sc query](#) - Jun 11 2023

web oct nov 2009 w09 past papers for igcse economics search oct nov 2009 w09 refine your search by adding igcse economics oct nov 2009 paper 1 question

the beginner s photography guide the ultimate step by step - Oct 10 2022

web may 2 2016 from equipment and exposure to light and lens and flash and focus the beginner s photography guide explains key concepts in clear and simple terms to help you make the most of your camera

the beginner s photography guide the ultimate step by step - Aug 08 2022

web may 17 2016 the beginner s photography guide the ultimate step by step manual for getting the most from your digital camera penguin may 17 2016 photography 192 pages 0reviews all you need is a

[the beginner s photography guide the ultimate step by step](#) - Jan 13 2023

web the beginner s photography guide the ultimate step by step manual for getting the most from your digital camera ebook written by dk read this book using google play books app on your pc android ios devices

[the beginner s photography guide the ultimate step by step](#) - Feb 14 2023

web the beginner s photography guide the ultimate step by step manual for getting the most from your digital camera ebook

dk amazon com au kindle store

the beginner s photography guide the ultimate step by step - Mar 15 2023

web assuming no prior knowledge this guide s easy to follow step by step layout makes it accessible as it takes you through every technique you need to create stunning images from exposure to flash to image enhancement handy checklists provide a quick rundown of the equipment and camera settings for each technique and at a glance more

the beginner s photography guide the ultimate step by step - Jul 07 2022

web may 2 2016 the beginner s photography guide compares and contrasts the effect of different approaches showing you how to take the photos you want and develop your photography ability learn how to overcome every photographer s challenge from working in dim lighting to setting up the perfect flash

photography basics the complete beginner s guide - Jun 06 2022

web if you want to harness that power and learn how to take the best possible photos welcome to photography basics the beginner s guide this comprehensive tutorial explains the fundamental concepts you should know about photography from start to finish

photography basics the ultimate beginner s photography guide - Aug 20 2023

web photography tips for beginners the ultimate tips for beginning in photography understand how light in photography works get started in photography by shooting in raw don t be afraid of the camera s manual mode learn how to properly hold your camera be aware of the importance of a tripod when you

the beginner s photography guide the ultimate step by - May 17 2023

web jan 1 2013 this is truly a beginner s guide to photography utilizing a unique format that combines a written description of digital cameras including their myriad features and functions with pictures and graphs on where to find and how to access them on the camera chris gatcum shows how beginners can start to make photographs with confidence

the beginner s photography guide the ultimate step by step - Jun 18 2023

web may 10 2016 the beginner s photography guide will help you find your inner photographer takes you through every technique you need to create stunning images easy to follow layout and step by step and tutorials

the beginner s photography guide the ultimate step by step - Nov 11 2022

web buy the beginner s photography guide the ultimate step by step manual for getting the most from your digital camera new edition new by dk isbn 9780744099508 from amazon s book store everyday low prices and free delivery on eligible orders

photography for beginners the ultimate guide in 2023 - Sep 21 2023

web sep 21 2023 this complete guide to photography for beginners walks you though everything you need to know about

photography get started taking better photos today

[the beginner s photography guide by chris gatcum penguin](#) - Sep 09 2022

web the ultimate step by step manual for any beginner who wants to get the most out of their digital camera now fully

revised and updated the beginner s photography guide by chris gatcum penguin random house canada

25 photography tips for beginners pixpa - May 05 2022

web it will provide you insight on shape and geometry be creative about the background edits shadows highlights and other

functions 25 always carry your camera here is another one of the many free mobile photography tips for beginners that you

read smartphone regular camera or dslr always carry one with you

the beginner s photography guide the ultimate step by step - Oct 22 2023

web may 10 2016 the beginner s photography guide the ultimate step by step manual for getting the most from

the beginner s photography guide the ultimate step by step - Apr 16 2023

web may 2 2016 the beginner s photography guide will help you find your inner photographer takes you through every

technique you need to create stunning images easy to follow layout and step by step and tutorials handy checklists with a

quick rundown of the equipment and camera settings hundreds of inspirational images to

the beginner s photography guide the ultimate step by step - Jul 19 2023

web may 2 2016 the beginner s photography guide the ultimate step by step manual for getting the most from your digital

camera chris gatcum 9780241241271 amazon com books books

[the beginner s photography guide the ultimate step by step](#) - Dec 12 2022

web jan 13 2020 buy the beginner s photography guide the ultimate step by step manual for getting the most from your

digital camera read kindle store reviews amazon com

[beginner s photography guide 2nd edition the ultimate step by step](#) - Apr 04 2022

web beginner s photography guide 2nd edition the ultimate step by step manual for getting the most from your digital

camera flexibound 15 july 2016 by dk author 4 5 4 5 out of 5 stars 4 627 ratings

17 beginner photography tips how to get started - Mar 03 2022

web 9 connect with other photographers learning photography with others is often invaluable whether you join an online

group or you head to a local camera club for one your photography will progress faster plus it will be