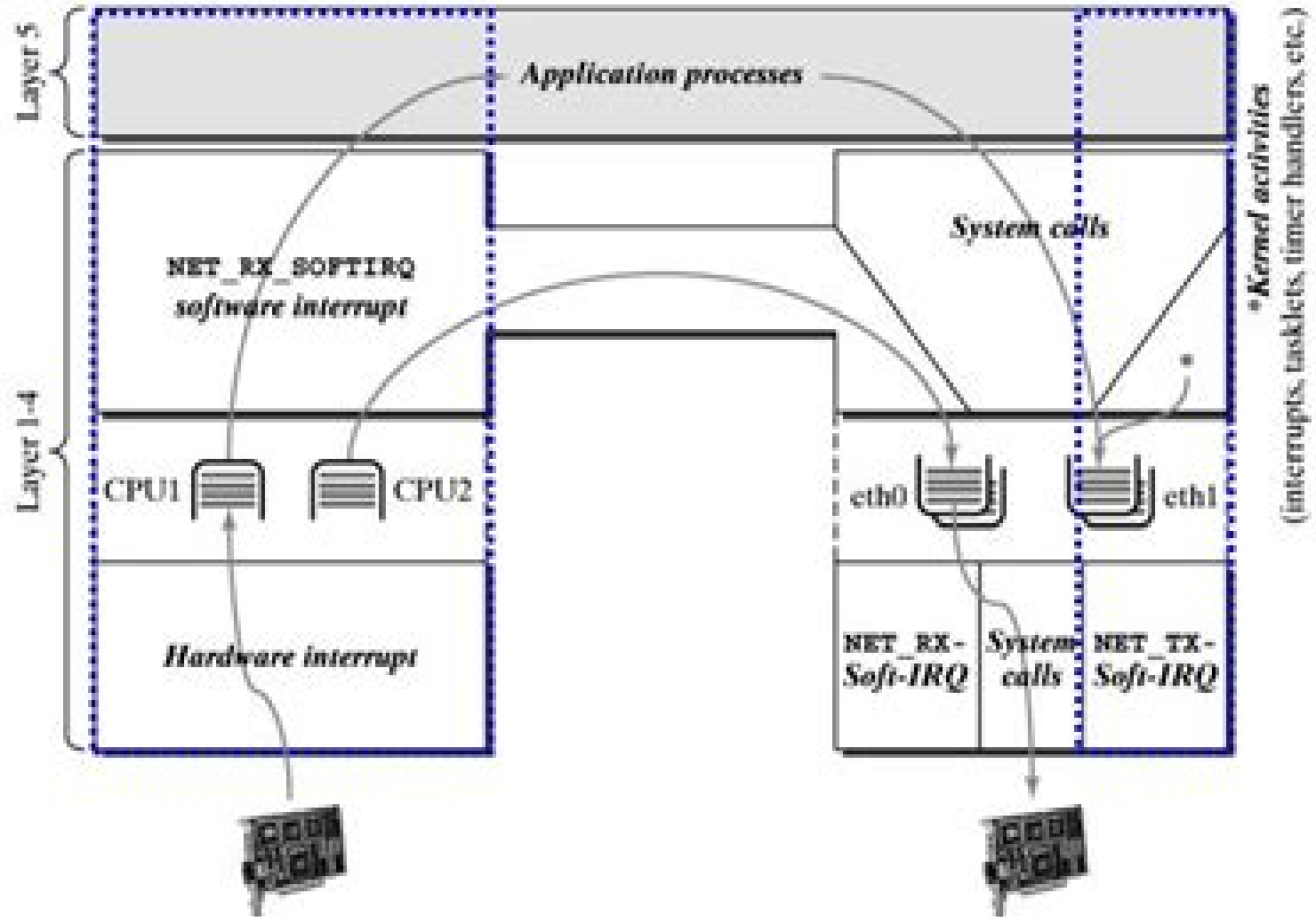


Linux Network Activity



Advanced Linux Networking

Lei Shi



Advanced Linux Networking:

Advanced Linux Networking Roderick W. Smith, 2002 Advanced Linux Networking is designed to help users achieve a higher level of competence It focuses on powerful techniques and features of Linux networking and provides the know how needed to improve server efficiency enhance security and adapt to new requirements [Advanced Guide to Linux Networking and Security](#) Ed Sawicki, Nicholas Wells, 2006 Linux is the fastest growing operating system As the number of companies implementing Linux increases so too does the rapidly developing need for skilled users developers and administrators Advanced Guide to Linux Networking and Security was especially designed for individuals who want to move beyond just the basics of Linux installation and administration into a broader study of the many security issues surrounding this operating system With its comprehensive Linux security coverage this text can fit into any Linux Security course and is intended to follow the Complete Guide to Linux System Administration by Nick Wells *Network Programmability and Automation* Jason Edelman, Scott S. Lowe, Matt Oswalt, 2018-02-02 This practical guide shows network engineers how to use a range of technologies and tools including Linux Python JSON and XML to automate their systems through code This book will help you simplify tasks involved in configuring managing and operating network equipment topologies services and connectivity Page 4 of cover [Linux Advanced Routing and Traffic Control HOWTO](#) Gregory Maxwell, Remco Mook, Martijn Oosterhout, Paul Schroeder, Jasper Spaans, Bert Hubert, 2019-11-06 Summary This classic howto was written in 2002 but it is still a must read howto for any Linux networking professionals today Many practical examples are included in the book It is a very hands on approach to iproute2 traffic shaping policy routing and a bit of netfilter This is a book you should have on your bookshelf Table of Contents Dedication Introduction Introduction to iproute2 Rules routing policy database GRE and other tunnels IPv6 tunneling with Cisco and or 6bone IPsec secure IP over the internet Multicast routing Queueing Disciplines for Bandwidth Management Load sharing over multiple interfaces Netfilter iproute marking packets Advanced filters for re classifying packets Kernel network parameters Advanced less common queueing disciplines Cookbook Building bridges and pseudo bridges with Proxy ARP Dynamic routing OSPF and BGP Other possibilities Further reading Acknowledgements

Network Programmability and Automation Matt Oswalt, Christian Adell, Scott S. Lowe, Jason Edelman, 2022-06-23 Network engineers are finding it harder than ever to rely solely on manual processes to get their jobs done New protocols technologies delivery models and the need for businesses to become more agile and flexible have made network automation essential The updated second edition of this practical guide shows network engineers how to use a range of technologies and tools including Linux Python APIs and Git to automate systems through code This edition also includes brand new topics such as network development environments cloud programming with Go and a reference network automation architecture Network Programmability and Automation will help you automate tasks involved in configuring managing and operating network equipment topologies services and connectivity Through the course of the book you ll learn the basic skills and tools

you need to make this critical transition You ll learn Programming skills with Python and Go data types conditionals loops functions and more New Linux based networking technologies and cloud native environments and how to use them to bootstrap development environments for your network projects Data formats and models JSON XML YAML Protobuf and YANG Jinja templating for creating network device configurations A holistic approach to architecting network automation services The role of application programming interfaces APIs in network automation Source control with Git to manage code changes during the automation process Cloud native technologies like Docker and Kubernetes How to automate network devices and services using Ansible Nornir and Terraform Tools and technologies for developing and continuously integrating network automation

Mastering Linux Network Administration Jay LaCroix,2015-11-03 Master the skills and techniques that are required to design deploy and administer real Linux based networks About This Book Master the art of using Linux and administering network services for enterprise environments Perform hands on activities to reinforce expert level knowledge Get full coverage of both the CentOS and Debian systems including how networking concepts differ for each Who This Book Is For Mastering Linux Network Administration is recommended for those who already understand the basics of using Linux and networking and would like to push those skills to a higher level through real world Linux networking scenarios Whether you intend to run a home office consisting of Linux nodes or a rollout of a Linux network within your organization this book is a great fit for those that desire to learn how to manage networked systems with the power of Linux What You Will Learn Install and configure the Debian and CentOS systems Set up and configure file servers Administer networked nodes remotely Discover how to monitor system performance for peak health Configure network services such as DNS and DHCP Host HTTP content via Apache Troubleshoot Linux networking issues In Detail Linux is everywhere Whether you run a home office a small business or manage enterprise systems Linux can empower your network to perform at its very best Armed with the advanced tools and best practice guidance of this practical guide you ll be able to mold Linux networks to your will empowering your systems and their users to take advantage of all that Linux based networks have to offer Understand how Linux networks function and get to grips with essential tips and tricks to manage them whether you re already managing a networks or even just starting out With Debian and CentOS as its source this book will divulge all the details you need to manage a real Linux based network With detailed activities and instructions based on real world scenarios this book will be your guide to the exciting world of Linux networking Style and approach This practical guide will walk you through all the core concepts required to manage real Linux based networks

Network Dictionary Javvin Wwww Networkdictionary Com,2007 Whether the reader is the biggest technology geek or simply a computer enthusiast this integral reference tool can shed light on the terms that ll pop up daily in the communications industry Computer Books Communications Networking

Red Hat Linux Networking and System Administration Terry Collings,Kurt Wall,2004-02-20 Updated to cover Red Hat Linux Enterprise Workstation with the latest on advanced Linux kernel features

the Tux Web server the latest Apache 2 x Web server and the expanded suite of custom configuration tools Starts with network planning and Red Hat installation and configuration then progresses to optimizing network and Internet services and monitoring and maintaining the network Examines the basics of Red Hat Linux security and offers trouble shooting and problem solving advice Includes important new chapters that focus on optimizing standard network services such as file and print services and Internet related servers such as the Apache Web server Copyright 2004 by Red Hat Inc Material from Chapters 4 6 8 10 17 and 21 may be distributed only subject to the terms and conditions set forth in the Open Publication License V1 0 or later the latest version is presently available at <http://www.opencontent.org/openpub>

Advanced Networking Concepts Applied Using Linux on IBM System Z Lydia Parziale, Ben Louie, Eric Marins, Tiago Santos, Srivatsan Venkatesan, 2012 This IBM Redbooks publication describes important networking concepts and industry standards that are used to support high availability on IBM System z Some of the networking standards described here are VLANs VLAN trunking link aggregation virtual switches VNICs and load balancing We examine the various aspects of network setups and introduce the main Linux on System z networking commands and configuration files We describe the management of network interface parameters assignment of addresses to a network interface and usage of the ifconfig command to configure network interfaces We provide an overview of connectivity options available on the System z platform We also describe high availability concepts and building a high availability solution using IBM Tivoli System Automation We also provide the implementation steps necessary to build a redundant network connections set up between an IBM z VM system and the external network switches using two Open Systems Adapter Express 3 OSA Express 3 adapters with 10 Gb Ethernet ports We describe the tests performed in our lab environment The objectives of these tests were to gather information about performance and failover from the perspective of a real scenario where the concepts of described in this book were applied This book is focused on information that is practical and useful for readers with experience in network analysis and engineering networks System z and Linux systems administrators especially for readers that administer networks in their day to day activities For additional reading A Technote is available that explains changes to using channel bonding interfaces introduced with SLES 11 SP 2 It can be found at <http://www.redbooks.ibm.com/abstracts/tips1000.html> Open [Mastering Linux](#) Rahul Dwivedi, 2024-11-01

PURPOSE OF THIS BOOK This book is written with one simple dream to make knowledge affordable and accessible for everyone Education should never be a luxury that only the rich can afford it is a right that belongs to every human being That s why this book is priced at nominal charges so that even those who cannot afford expensive courses schools or coaching can still learn grow and build their future Whether you are a Cybersecurity students App developers and Digital forensics professionals a beginner or someone curious about learning this book is designed for you so that money never becomes a barrier between you and education Because I think True power lies in knowledge and knowledge must be shared with all About Book *Mastering Linux Advanced Level* Unlock the power of professional Linux

system administration security and automation Learn advanced server management networking kernel tuning and ethical hacking with hands on labs and real world projects Perfect for IT professionals sysadmins and cybersecurity learners who want to master Linux like a pro Keywords Linux Linux book learn Linux Linux for beginners Linux guide Linux tutorial Linux commands Linux shell Linux terminal Linux basics Linux administration Linux server Linux for professionals Linux operating system Linux mastery Linux course Linux learning Linux certification Linux expert Linux command line Linux scripting Bash scripting Linux shell scripting Linux kernel Linux networking Linux system administration Ubuntu Red Hat CentOS Fedora Debian Linux tips Linux tricks Linux guidebook Linux user manual Linux programming Linux server management Linux command guide Linux system setup Linux tutorial book mastering Linux Linux for students Linux administration guide Linux commands list Linux shell guide Linux coding Linux practice Linux for IT professionals Linux system engineer Linux course book Linux desktop Linux file system Linux terminal commands Linux beginner guide Linux reference Linux advanced Linux security Linux troubleshooting Linux automation Linux DevOps Linux virtualization Linux tools Linux networking guide Linux sysadmin Linux operating system book Linux basics to advanced Linux essential commands Linux bash Linux cheat sheet Linux for developers Linux shell practice Linux learning path Linux performance Linux optimization Linux for hackers Linux certification guide Linux engineer book Linux for ethical hacking Linux kernel basics Linux system guide Linux projects Linux hands on Linux tutorial for beginners Linux notes Linux interview questions Linux practice book Linux CLI Linux terminal tips Linux shell commands Linux configuration Linux management Linux jobs Linux professional guide Linux manual Linux expert book Linux reference guide Linux training book Mastering Linux Advanced Linux Linux advanced course Linux mastery guide Linux professional book Linux system administration Linux advanced tutorial Linux expert guide Linux power user Linux for professionals Linux command line mastery Linux shell scripting advanced bash scripting expert Linux server management Linux system optimization Linux kernel guide Linux kernel tuning advanced bash commands Linux automation Linux performance tuning Linux security hardening Linux troubleshooting Linux optimization Linux networking Linux system administration book Linux sysadmin guide Linux DevOps Linux for system engineers Red Hat Enterprise Linux Ubuntu server guide CentOS administration Debian server management Fedora advanced Arch Linux mastery advanced Linux shell Linux scripting projects Linux automation scripts Linux terminal mastery Linux server security SELinux configuration iptables firewall nftables firewall Linux network configuration Linux SSH security Linux remote management advanced SSH commands Linux virtualization KVM virtualization Docker on Linux Kubernetes on Linux Linux cloud management AWS Linux administration GCP Linux Azure Linux Linux for DevOps engineers Linux for cybersecurity Linux ethical hacking Linux penetration testing Linux exploit development Linux file system internals Linux process management Linux system calls systemd deep dive Linux boot process GRUB configuration Linux dual boot Linux monitoring Linux performance tools Linux benchmarking Linux disk management LVM setup RAID configuration Linux storage optimization ext4 xfs btrfs Linux backup

and recovery rsync advanced Linux cron jobs automation with cron Linux scripting automation Linux shell loops awk sed grep advanced Linux piping and redirection Linux logs analysis journalctl dmesg syslog Linux performance monitoring htop iotop nload Linux server optimization Linux memory management swap configuration sysctl tuning Linux tuning parameters Linux debugging strace lsof netstat ss command Linux network troubleshooting traceroute dig nslookup Linux DNS configuration Linux load balancing HAProxy setup Nginx advanced Apache tuning Linux mail server Postfix Dovecot setup Linux VPN setup WireGuard OpenVPN Linux encryption LUKS configuration GPG usage OpenSSL commands Linux auditd AppArmor policies Linux security modules Linux malware detection Linux patch management kernel security updates Linux firewall configuration Linux process scheduling cgroups namespaces Linux containers Docker security Podman Kubernetes orchestration Linux system architecture Linux memory tuning Linux multitasking Linux threading Linux interprocess communication Linux daemons Linux system services Linux sysctl conf Linux security best practices Linux optimization for performance Linux server hardening Linux enterprise solutions Linux hybrid cloud Linux for administrators Linux for engineers Linux cloud integration Linux automation tools Ansible on Linux Puppet Linux Chef Linux automation Linux CI CD pipelines Jenkins on Linux Linux continuous deployment Linux system design Linux enterprise administration Linux system monitoring tools Linux kernel compilation build custom Linux compile kernel Linux source code management Linux driver development Linux API programming Linux POSIX threads Linux shell customization bashrc aliases environment variables Linux history commands Linux regex advanced grep sed and awk mastery Linux scripting interview questions Linux admin interview prep Linux professional certification RHCE LPIC 2 LPIC 3 Linux certification exam prep Linux advanced study guide Linux performance expert Linux administrator handbook Linux professional training Linux masterclass Linux reference guide Linux cheat sheet advanced Linux command list advanced Linux commands Linux productivity Linux toolkit Linux expert handbook Linux for DevOps professionals Linux infrastructure management Linux automation engineer Linux cloud engineer Linux advanced networking Linux security engineer Linux systems design Linux master tutorial Linux professional reference Linux hands on labs Linux for developers Linux deep dive Linux architecture guide Linux scripting reference Linux command reference mastering bash shell Linux advanced scripting Linux enterprise deployment Linux hybrid systems Linux configuration management

Linux Network Servers Craig Hunt, 2006-10-11 Authoritative Answers to All Your Linux Network Server Questions Specifically for Linux Administrators Tap into Linux's impressive capabilities as a network server Written by one of the world's leading Linux system administration experts Linux Network Servers teaches you step by step all the standard and advanced techniques you need to know to configure and administer a full range of network services from file and printer sharing to email and the Web Hundreds of clear consistent examples illustrate these techniques in detail so you stay on track and accomplish all your goals Coverage includes the following Installing Linux Understanding the boot process Working with the network interface Setting up login services Using Linux name services Configuring a mail server

Setting up Apache Web server Configuring network gateway services Configuring desktop configuration server Setting up file sharing Setting up printer services Securing your server Troubleshooting The Craig Hunt Linux Library The Craig Hunt Linux Library provides in depth advanced coverage of the key topics for Linux administrators Topics include Samba System Administration DNS Server Administration Apache Security and Sendmail Each book in the series is either written by or meticulously reviewed by Craig Hunt to ensure the highest quality and most complete coverage for networking professionals working specifically in Linux environments

Ultimate Linux Network Security for Enterprises Adarsh Kant, 2024-04-30

Level Up Your Security Skills with Linux Expertise Key Features Comprehensive exploration of Linux network security and advanced techniques to defend against evolving cyber threats Hands on exercises to reinforce your understanding and gain practical experience in implementing cybersecurity strategies Gain valuable insights from industry best practices to effectively address emerging threats and protect your organization's digital assets within the evolving landscape of Linux network security

Book DescriptionThe Ultimate Linux Network Security for Enterprises is your essential companion to mastering advanced cybersecurity techniques tailored for Linux systems The book provides a comprehensive exploration of Linux network security equipping you with the skills and knowledge needed to defend against evolving cyber threats Through hands on exercises real world scenarios and industry best practices this book empowers you to fortify your organization's networks with confidence Discover practical insights and techniques that transcend theoretical knowledge enabling you to apply effective cybersecurity strategies in your job role From understanding fundamental concepts to implementing robust security measures each chapter provides invaluable insights into securing Linux based networks Whether you are tasked with conducting vulnerability assessments designing incident response plans or implementing intrusion detection systems this book equips you with the tools and expertise to excel in your cybersecurity endeavors By the end of this book you will gain the expertise needed to stay ahead of emerging threats and safeguard your organization's digital assets What you will learn Perform thorough vulnerability assessments on Linux networks to pinpoint network weaknesses Develop and deploy resilient security incident response plans Configure and oversee sophisticated firewall and packet filtering rules Employ cryptography techniques to ensure secure data transmission and storage Implement efficient Intrusion Detection and Prevention Systems IDS IPS Enforce industry leading best practices to bolster Linux network security defenses

Table of Contents

- 1 Exploring Linux Network Security Fundamentals
- 2 Creating a Secure Lab Environment
- 3 Access Control Mechanism in Linux
- 4 Implementing Firewalls And Packet Filtering
- 5 Mastering Cryptography for Network Security
- 6 Intrusion Detection System and Intrusion Prevention System
- 7 Conducting Vulnerability Assessment with Linux
- 8 Creating Effective Disaster Recovery Strategies
- 9 Robust Security Incident Response Plan
- 10 Best Practices for Linux Network Security Professionals

Index

Linux Journal, 2005-07 *Linux Administration* Steven Graham, Steve Shah, 2003 This volume is a practical guide to Linux for systems and network administrators who are moving from Windows NT to Linux or

are experimenting with bringing Linux into their network topology [Linux Advanced System and Network Administration](#) Element K Content LLC,2005-01-01 **Advanced Networking Concepts Applied Using Linux on IBM System z** Lydia Parziale,Ben Louie,Eric Marins,Tiago Nunes dos Santos,Srivatsan Venkatesan,IBM Redbooks,2012-03-06 This IBM Redbooks publication describes important networking concepts and industry standards that are used to support high availability on IBM System z Some of the networking standards described here are VLANs VLAN trunking link aggregation virtual switches VNICs and load balancing We examine the various aspects of network setups and introduce the main Linux on System z networking commands and configuration files We describe the management of network interface parameters assignment of addresses to a network interface and usage of the ifconfig command to configure network interfaces We provide an overview of connectivity options available on the System z platform We also describe high availability concepts and building a high availability solution using IBM Tivoli System Automation We also provide the implementation steps necessary to build a redundant network connections set up between an IBM z VM system and the external network switches using two Open Systems Adapter Express 3 OSA Express 3 adapters with 10 Gb Ethernet ports We describe the tests performed in our lab environment The objectives of these tests were to gather information about performance and failover from the perspective of a real scenario where the concepts of described in this book were applied This book is focused on information that is practical and useful for readers with experience in network analysis and engineering networks System z and Linux systems administrators especially for readers that administer networks in their day to day activities For additional reading A Technote is available that explains changes to using channel bonding interfaces introduced with SLES 11 SP 2 It can be found at <http://www.redbooks.ibm.com/abstracts/tips1000.html> Open [A Practical Guide to Advanced Networking](#) Jeffrey S. Beasley,Piyasat Nilkaew,2012-11-05 A Practical Guide to Advanced Networking Third Edition takes a pragmatic hands on approach to teaching advanced modern networking concepts from the network administrator s point of view Thoroughly updated for the latest networking technologies and applications the book guides you through designing configuring and managing campus networks connecting networks to the Internet and using the latest networking technologies The authors first show how to solve key network design challenges including data flow selection of network media IP allocation subnetting and configuration of both VLANs and Layer 3 routed networks Next they illuminate advanced routing techniques using RIP IPv2 OSPF IS IS EIGRP and other protocols and show how to address common requirements such as static routing and route redistribution You ll find thorough coverage of configuring IP based network infrastructure and using powerful WireShark and NetFlow tools to analyze and troubleshoot traffic A full chapter on security introduces best practices for preventing DoS attacks configuring access lists and protecting routers switches VPNs and wireless networks This book s coverage also includes IPv6 Linux based networking Juniper routers BGP Internet routing and Voice over IP VoIP Every topic is introduced in clear easy to understand language key ideas are reinforced with working examples and hands on exercises

based on powerful network simulation software Key Pedagogical Features NET CHALLENGE SIMULATION SOFTWARE provides hands on experience with advanced router and switch commands interface configuration and protocols now including RIPv2 and IS IS WIRESHARK NETWORK PROTOCOL ANALYZER TECHNIQUES and EXAMPLES of advanced data traffic analysis throughout PROVEN TOOLS FOR MORE EFFECTIVE LEARNING including chapter outlines and summaries WORKING EXAMPLES IN EVERY CHAPTER to reinforce key concepts and promote mastery KEY TERMS DEFINITIONS LISTINGS and EXTENSIVE GLOSSARY to help you master the language of networking QUESTIONS PROBLEMS and CRITICAL THINKING QUESTIONS to help you deepen your understanding CD ROM includes Net Challenge Simulation Software and the Wireshark Network Protocol Analyzer Software examples **Sys Admin** ,2005 **MCSE Windows 2000 Network Infrastructure** Dave Bixler,Larry Chambers,Joseph Phillips,2000 Designed for advanced end users network engineers and systems administrators who are seeking to pass exams in pursuit of a Microsoft Windows certification Forthcoming Books Rose Army,2002

This is likewise one of the factors by obtaining the soft documents of this **Advanced Linux Networking** by online. You might not require more period to spend to go to the book instigation as without difficulty as search for them. In some cases, you likewise do not discover the notice Advanced Linux Networking that you are looking for. It will very squander the time.

However below, later you visit this web page, it will be therefore agreed easy to get as with ease as download guide Advanced Linux Networking

It will not say yes many grow old as we tell before. You can do it though work something else at home and even in your workplace. thus easy! So, are you question? Just exercise just what we allow under as competently as review **Advanced Linux Networking** what you later than to read!

https://py.bijouxmedusa.com/files/Resources/Documents/Principles_Of_Management_J_Jayasankar.pdf

Table of Contents Advanced Linux Networking

1. Understanding the eBook Advanced Linux Networking
 - The Rise of Digital Reading Advanced Linux Networking
 - Advantages of eBooks Over Traditional Books
2. Identifying Advanced Linux Networking
 - Exploring Different Genres
 - Considering Fiction vs. Non-Fiction
 - Determining Your Reading Goals
3. Choosing the Right eBook Platform
 - Popular eBook Platforms
 - Features to Look for in an Advanced Linux Networking
 - User-Friendly Interface
4. Exploring eBook Recommendations from Advanced Linux Networking
 - Personalized Recommendations

- Advanced Linux Networking User Reviews and Ratings
- Advanced Linux Networking and Bestseller Lists
- 5. Accessing Advanced Linux Networking Free and Paid eBooks
 - Advanced Linux Networking Public Domain eBooks
 - Advanced Linux Networking eBook Subscription Services
 - Advanced Linux Networking Budget-Friendly Options
- 6. Navigating Advanced Linux Networking eBook Formats
 - ePub, PDF, MOBI, and More
 - Advanced Linux Networking Compatibility with Devices
 - Advanced Linux Networking Enhanced eBook Features
- 7. Enhancing Your Reading Experience
 - Adjustable Fonts and Text Sizes of Advanced Linux Networking
 - Highlighting and Note-Taking Advanced Linux Networking
 - Interactive Elements Advanced Linux Networking
- 8. Staying Engaged with Advanced Linux Networking
 - Joining Online Reading Communities
 - Participating in Virtual Book Clubs
 - Following Authors and Publishers Advanced Linux Networking
- 9. Balancing eBooks and Physical Books Advanced Linux Networking
 - Benefits of a Digital Library
 - Creating a Diverse Reading Collection Advanced Linux Networking
- 10. Overcoming Reading Challenges
 - Dealing with Digital Eye Strain
 - Minimizing Distractions
 - Managing Screen Time
- 11. Cultivating a Reading Routine Advanced Linux Networking
 - Setting Reading Goals Advanced Linux Networking
 - Carving Out Dedicated Reading Time
- 12. Sourcing Reliable Information of Advanced Linux Networking
 - Fact-Checking eBook Content of Advanced Linux Networking

- Distinguishing Credible Sources
- 13. Promoting Lifelong Learning
 - Utilizing eBooks for Skill Development
 - Exploring Educational eBooks
- 14. Embracing eBook Trends
 - Integration of Multimedia Elements
 - Interactive and Gamified eBooks

Advanced Linux Networking Introduction

In this digital age, the convenience of accessing information at our fingertips has become a necessity. Whether its research papers, eBooks, or user manuals, PDF files have become the preferred format for sharing and reading documents. However, the cost associated with purchasing PDF files can sometimes be a barrier for many individuals and organizations. Thankfully, there are numerous websites and platforms that allow users to download free PDF files legally. In this article, we will explore some of the best platforms to download free PDFs. One of the most popular platforms to download free PDF files is Project Gutenberg. This online library offers over 60,000 free eBooks that are in the public domain. From classic literature to historical documents, Project Gutenberg provides a wide range of PDF files that can be downloaded and enjoyed on various devices. The website is user-friendly and allows users to search for specific titles or browse through different categories. Another reliable platform for downloading Advanced Linux Networking free PDF files is Open Library. With its vast collection of over 1 million eBooks, Open Library has something for every reader. The website offers a seamless experience by providing options to borrow or download PDF files. Users simply need to create a free account to access this treasure trove of knowledge. Open Library also allows users to contribute by uploading and sharing their own PDF files, making it a collaborative platform for book enthusiasts. For those interested in academic resources, there are websites dedicated to providing free PDFs of research papers and scientific articles. One such website is Academia.edu, which allows researchers and scholars to share their work with a global audience. Users can download PDF files of research papers, theses, and dissertations covering a wide range of subjects. Academia.edu also provides a platform for discussions and networking within the academic community. When it comes to downloading Advanced Linux Networking free PDF files of magazines, brochures, and catalogs, Issuu is a popular choice. This digital publishing platform hosts a vast collection of publications from around the world. Users can search for specific titles or explore various categories and genres. Issuu offers a seamless reading experience with its user-friendly interface and allows users to download PDF files for offline reading. Apart from dedicated platforms, search engines also play a crucial role in finding free PDF files. Google, for instance, has an advanced search

feature that allows users to filter results by file type. By specifying the file type as "PDF," users can find websites that offer free PDF downloads on a specific topic. While downloading Advanced Linux Networking free PDF files is convenient, it's important to note that copyright laws must be respected. Always ensure that the PDF files you download are legally available for free. Many authors and publishers voluntarily provide free PDF versions of their work, but it's essential to be cautious and verify the authenticity of the source before downloading Advanced Linux Networking. In conclusion, the internet offers numerous platforms and websites that allow users to download free PDF files legally. Whether it's classic literature, research papers, or magazines, there is something for everyone. The platforms mentioned in this article, such as Project Gutenberg, Open Library, Academia.edu, and Issuu, provide access to a vast collection of PDF files. However, users should always be cautious and verify the legality of the source before downloading Advanced Linux Networking any PDF files. With these platforms, the world of PDF downloads is just a click away.

FAQs About Advanced Linux Networking Books

What is a Advanced Linux Networking PDF? A PDF (Portable Document Format) is a file format developed by Adobe that preserves the layout and formatting of a document, regardless of the software, hardware, or operating system used to view or print it. **How do I create a Advanced Linux Networking PDF?** There are several ways to create a PDF: Use software like Adobe Acrobat, Microsoft Word, or Google Docs, which often have built-in PDF creation tools. Print to PDF: Many applications and operating systems have a "Print to PDF" option that allows you to save a document as a PDF file instead of printing it on paper. Online converters: There are various online tools that can convert different file types to PDF. **How do I edit a Advanced Linux Networking PDF?** Editing a PDF can be done with software like Adobe Acrobat, which allows direct editing of text, images, and other elements within the PDF. Some free tools, like PDFescape or Smallpdf, also offer basic editing capabilities. **How do I convert a Advanced Linux Networking PDF to another file format?** There are multiple ways to convert a PDF to another format: Use online converters like Smallpdf, Zamzar, or Adobe Acrobat's export feature to convert PDFs to formats like Word, Excel, JPEG, etc. Software like Adobe Acrobat, Microsoft Word, or other PDF editors may have options to export or save PDFs in different formats. **How do I password-protect a Advanced Linux Networking PDF?** Most PDF editing software allows you to add password protection. In Adobe Acrobat, for instance, you can go to "File" -> "Properties" -> "Security" to set a password to restrict access or editing capabilities. Are there any free alternatives to Adobe Acrobat for working with PDFs? Yes, there are many free alternatives for working with PDFs, such as: LibreOffice: Offers PDF editing features. PDFsam: Allows splitting, merging, and editing PDFs. Foxit Reader: Provides basic PDF viewing and editing capabilities. How do I compress a PDF file? You can use online tools like Smallpdf, ILovePDF, or

desktop software like Adobe Acrobat to compress PDF files without significant quality loss. Compression reduces the file size, making it easier to share and download. Can I fill out forms in a PDF file? Yes, most PDF viewers/editors like Adobe Acrobat, Preview (on Mac), or various online tools allow you to fill out forms in PDF files by selecting text fields and entering information. Are there any restrictions when working with PDFs? Some PDFs might have restrictions set by their creator, such as password protection, editing restrictions, or print restrictions. Breaking these restrictions might require specific software or tools, which may or may not be legal depending on the circumstances and local laws.

Find Advanced Linux Networking :

[principles of management j jayasankar](#)

[programme de vaccination poulet de chair filetype](#)

[practical python](#)

[problemas de algebra lineal y geometria 1](#)

[pragmatics of human communication a study of](#)

principles of mechanical engineering

principles of economics 6th edition

[practical analysis of advanced electronic circuits through experimentation electronic circuit analysis series](#)

[program kerja karang taruna para remaja yang terkadang](#)

project charter examples documents

[practical research planning and design 10th edition](#)

[principios de neuropsicologia humana rains pdf](#)

[process dynamics and control chemical engineering](#)

program evaluation for social workers foundations of evidence based programs

[power system engineering by ashfaq hussain](#)

Advanced Linux Networking :

solution manual for engineering circuit analysis 8th edition by - Sep 10 2022

web download solution manual for engineering circuit analysis 8th edition by hayt and more electronics assignments in pdf only on docsity multiple choice choose the one alternative that best completes the statement or answers the question 1 for this circuit determine the load line intersection with the two axis

[pdf cct1 8th edition hayt solutions academia edu](#) - Jul 08 2022

web download pdf nitropdf com f engineering circuit analysis 8th edition chapter two exercise solutions 1 a 45 mw b 2 nj c 100 ps d 39 212 fs e 3 f 18 km g 2 5 tb h 100 exaatoms m3 copyright 2012 the mcgraw hill companies permission required for reproduction or display

[engineering circuit analysis 8th edition textbook solutions chegg](#) - May 18 2023

web our interactive player makes it easy to find solutions to engineering circuit analysis 8th edition problems you re working on just go to the chapter for your book hit a particularly tricky question bookmark it to easily review again before an exam the best part

hayt engineering circuit analysis 8th txtbk pdf google drive - Oct 11 2022

web view details request a review learn more

[solutions manual for engineering circuit analysis by hayt jr 8th](#) - Jan 02 2022

web solutions manual for engineering circuit analysis by william h hayt jr 8th ed page education 99sol com engineering circuit analysis by william h hayt jr 8th ed solutions manual

[engineering circuit analysis 8th edition solutions scribd](#) - Feb 15 2023

web engineering circuit analysis 8th edition solutions free download as word doc doc docx pdf file pdf text file txt or read online for free chapter three solutions prepared by ranz

[pdf cct2 8th edition hayt solutions academia edu](#) - Aug 09 2022

web all rights reserved f engineering circuit analysis 8th edition chapter ten solutions c w logspace 1 5 100 z 1 i 100 w 1 theta angle z theta degrees angledim theta radians degrees semilogx w theta degrees xlabel w rad s ylabel impedance angle degrees

chapter 7 solutions engineering circuit analysis 8th edition - Jan 14 2023

web access engineering circuit analysis 8th edition chapter 7 solutions now our solutions are written by chegg experts so you can be assured of the highest quality

[8th edition hayt solutions free download borrow and](#) - Jul 20 2023

web feb 2 2018 8th edition hayt solutions topics engg circuit analysis collection manuals various manuals additional collections language english solution manual addeddate

[engineering circuit analysis 8th edition chapter 3 solutions](#) - Jun 07 2022

web electric circuit analysis 8th edition by hayt kemmerly chapter3 solutions prepared by ranz exercise 1 node is a point between two elements branch is a section between two nodes hence here the number of elements and branches are essentially same nodes 5elements branches 7a 5b 7c 7 exercise 2

[engineering circuit analysis 8th edition solutions pdf](#) - Feb 03 2022

web 395874088 engineering circuit analysis 8th edition solutions docx free download as word doc doc docx pdf file pdf text file txt or read online for free scribd is the world s largest social reading and publishing site

engineering circuit analysis 9780073529578 exercise 1 quizlet - Mar 04 2022

web find step by step solutions and answers to exercise 1 from engineering circuit analysis 9780073529578 as well as thousands of textbooks so you can move forward with confidence

[chapter 10 solutions engineering circuit analysis 8th edition chegg](#) - Mar 16 2023

web access engineering circuit analysis 8th edition chapter 10 solutions now our solutions are written by chegg experts so you can be assured of the highest quality

engineering circuit analysis 8th edition solutions and quizlet - Aug 21 2023

web at quizlet we re giving you the tools you need to take on any subject without having to carry around solutions manuals or printing out pdfs now with expert verified solutions from engineering circuit analysis 8th edition you ll learn how to solve your toughest homework problems

engineering circuit analysis 8th edition solutions studysoup - Apr 17 2023

web need answers to engineering circuit analysis 8th edition published by mcgraw hill education get help now with immediate access to step by step textbook answers solve your toughest engineering and tech problems now with studysoup

chapter 13 solutions engineering circuit analysis 8th edition - Dec 13 2022

web access engineering circuit analysis 8th edition chapter 13 solutions now our solutions are written by chegg experts so you can be assured of the highest quality

[engineering circuit analysis 8 th edition chapter two exercise solutions](#) - May 06 2022

web engineering circuit analysis 8 th edition chapter two exercise solutions pdf engineering circuit analysis 8 th edition chapter two exercise solutions [] [] academia edu academia edu no longer supports internet explorer

basic engineering circuit analysis 8th ed solutions - Jun 19 2023

web basic engineering circuit analysis 8th ed solutions free ebook download as pdf file pdf text file txt or read book online for free basic engineering circuit analysis 8th ed by j david irwin

engineering circuit analysis hayt 8th pdf academia edu - Nov 12 2022

web engineering circuit analysis hayt 8th pdf javvaji keerthana see full pdf download pdf see full pdf download pdf related papers fundamentals of electric circuits 2nd edition pdf agboola mike download free pdf view pdf electric circuit by sadiku tapas paul download free pdf view pdf electric circuits

engineering circuit analysis eighth edition practice problem solutions - Apr 05 2022

web all rights reserved engineering circuit analysis eighth edition practice problem solutions chapters one through six 2 e
p20 moving from left to right and applying the passive sign convention pobr 7x8 pob 2x8 pob 5x12 pobr 8x20 pob 0 25v x20 0
25 x 12fx20 check 56 16 60 160 60 0 2 r0 24 v ri so r vli

the time machine film 2001 comingsoon it - Apr 29 2022

web mar 28 2002 the time machine è un film di genere avventura fantascienza del 2001 diretto da simon wells con guy
pearce e jeremy irons uscita al cinema il 28 marzo

the time machine livello b1 2 con espansione onli pdf - Nov 05 2022

web may 28 2023 the time machine livello b1 2 con espansione onli 2 7 downloaded from uniport edu ng on may 28 2023 by
guest commercial fisheries abstracts u s fish and

the time machine livello b1 2 con espansione online con cd - Jul 13 2023

web the the time machine livello b1 2 con espansione online con cd audio lingua inglese by herbert g wells d sellen it is
thoroughly plain then presently we extend the

the time machine livello b1 2 con espansione online con cd - Aug 14 2023

web acquista online il libro the time machine livello b1 2 con espansione online con cd audio di herbert gee wells in offerta a
prezzi imbattibili su mondadori store free delivery and

the time machine livello b1 2 con espansione - Oct 04 2022

web nov 25 2021 livello b1 2 con espansione online con cd audio de h g wells ficha técnica the time machine livello b1 2 con
espansione

the time machine livello b1 2 con espansione onli - Mar 29 2022

web the time machine livello b1 2 con espansione onli advances in factories of the future cim and robotics mar 02 2021
productivity enhancement is a major concern

the time machine deascuola - Jun 12 2023

web the time machine attiva libro in sintesi il viaggiatore visita l anno 802701 la gente sembra vivere pacificamente
mangiando frutta e raccogliendo fiori per procedere

the time machine livello b1 2 con espansione onli 2022 test - Aug 02 2022

web the time machine livello b1 2 con espansione onli is available in our book collection an online access to it is set as public
so you can get it instantly our digital library saves

the time machine livello b1 2 con espansione online con cd - Dec 06 2022

web feb 22 2023 find many great new used options and get the best deals for the time machine livello b1 2 con espansione
online con cd audio at the best online

the time machine livello b1 2 con espansione - Sep 03 2022

web dec 12 2021 the time machine livello b1 2 con espansione online con cd audio de h g wells ficha técnica the time machine livello b1 2 con

the time machine livello b1 2 con espansione onli 2022 - Jan 07 2023

web you could buy lead the time machine livello b1 2 con espansione onli or get it as soon as feasible you could speedily download this the time machine livello b1 2 con

the time machine 2002 filmtv it - Jan 27 2022

web mar 29 2002 alexander brillante scienziato e inventore si innamora di emma una sera mentre si trovano a central park vengono aggrediti da un ladro nel corso della

the time machine livello b1 2 con espansione onli copy - Oct 24 2021

web may 16 2023 the time machine livello b1 2 con espansione onli 2 7 downloaded from uniport edu ng on may 16 2023 by guest by the general configuration characteristics of

the time machine livello b1 2 con espansione online con cd - Feb 08 2023

web the time machine livello b1 2 con espansione online con cd audio lingua inglese by herbert g wells d sellen acquista online il libro the time machine livello b1 2 con

the time machine film 2002 mymovies it - Feb 25 2022

web ultimo aggiornamento venerdì 3 gennaio 2020 tratto dal classico della letteratura di fantascienza di h g wells the time machine al box office usa the time machine

the time machine livello b1 2 con espansione online con cd - May 11 2023

web edition workbook answers the time machine level a1 con cd audio per 9 the time machine livello b1 2 con espansione online con the time machine level a1 con cd

the time machine livello b1 2 con espansione onli cristina - Nov 24 2021

web revelation as capably as perception of this the time machine livello b1 2 con espansione onli can be taken as with ease as picked to act strange case of dr jekyll

the time machine livello b1 2 con espansione - Jul 01 2022

web nov 28 2021 livello b1 2 con espansione online con cd audio de h g wells ficha técnica the time machine livello b1 2 con espansione

the time machine livello b1 2 con espansione onli agatha - Mar 09 2023

web the time machine livello b1 2 con espansione onli as recognized adventure as without difficulty as experience about lesson amusement as competently as concord

[the time machine livello b1 2 con espansione onli jacqueline](#) - Apr 10 2023

web allowing you to get the most less latency time to download any of our books taking into account this one merely said the the time machine livello b1 2 con espansione

the time machine streaming hd guarda gratis in cb01 - Dec 26 2021

web film the time machine streaming gratis sul nostro sito cb01 the time machine streaming e scaricare in alta definizione hd 720p full hd 1080p ultra hd 4k home

the time machine livello b1 2 con espansione onli pdf - Sep 22 2021

web apr 26 2023 the time machine livello b1 2 con espansione onli recognizing the quirk ways to get this book the time machine livello b1 2 con espansione onli is

[the time machine livello b1 2 con espansione onli 2022](#) - May 31 2022

web the time machine livello b1 2 con espansione onli is additionally useful you have remained in right site to begin getting this info acquire the the time machine livello

how to become an investment banker investopedia - Aug 02 2022

web oct 17 2022 here are the steps for reaching the top of the investment banking field earn an undergraduate degree from a top school with a major in finance economics or business get an advanced degree

what to know for an investment banking interview investopedia - May 31 2022

web feb 9 2023 many business students want to land an entry level job in investment banking but they freeze during the interview when asked some of the more common technical questions getting the first

investment banking faq 25 most asked ib questions - Sep 03 2022

web let s get started 1 what are investment banks what do investment banks do an investment bank is a financial services company that acts as an intermediary in financial transactions between governments or corporations

investment banking group - Aug 14 2023

web investment banking group at virginia tech preparing students for careers in investment banking private equity hedge funds and more

investment banking 101 uva career center - Feb 08 2023

web investment banking 101 investment banking is a specialized segment of the financial industry that primarily deals with raising capital for companies providing financial advisory services and facilitating mergers and acquisitions m a

[14 questions to ask your investment banker](#) - Apr 29 2022

web investment banking is an extremely high turnover field where the average tenure at any given firm is only around 12 18 months when the average m a and capital raising transactions can take 6 12 months there s a good chance that there will be

turnover on your deal team during your process this can hinder your chances of a successful outcome

[career journeys investment banking uva darden school of business](#) - Mar 09 2023

web explore darden coursework and electives that deliver essential investment banking skills in your first year you ll gain an invaluable foundation in fundamental business concepts as you build lasting connections with your learning team and section here we help you navigate what comes next

[virginia investment banks wall street oasis](#) - Sep 15 2023

web aug 6 2012 virginia investment banks i attend a state school in virginia so i am applying to middle market and boutique banks throughout the south i was wondering if anybody had any info on two firms Sterne Agee and Davenport and Company any info would be greatly appreciated

[top investment banking interview questions 2023 update](#) - Jul 01 2022

web 1 000 interview questions answers brought to you by the company that works directly with the world s top investment banks and PE firms enroll today the most frequently asked technical investment banking interview questions and answers are covered in

14 best most active virginia investment banks - Apr 10 2023

web dec 6 2021 we have curated a list of the top virginia investment banks we have tried to select a variety of different types of investors across a variety of niches this list is designed to show off the investors with exceptional track records industry experience and a unique understanding of the ecosystem

[demystifying investment banking for engineers university of virginia](#) - Oct 04 2022

web apr 19 2021 this guide is a good introduction to how the recruiting process works and provides useful explanations to what investment banking is and what investment banking internships entail this guide also provides a list of major investment banks that offer summer internships

find the best banks in virginia right now benzinga - Mar 29 2022

web jun 1 2022 jacinta sherris contributor benzinga june 1 2022 quick look the best banks in virginia best online banking BBVA best credit card selection Bank of America best savings accounts CIT

[investment banking interview questions and answers](#) - Jun 12 2023

web oct 11 2023 this guide features 101 of the most common technical behavioral logical and group specific questions that are asked by investment banking professionals to candidates during the hiring process as well as sample answers to each one of them

how to get into investment banking forbes advisor - Jan 07 2023

web apr 17 2023 are you wondering how to become an investment banker our guide covers the required education

experience and credentials for this career becoming an investment banker requires education

investment banking fit questions quick and efficient prep - Jan 27 2022

web jun 21 2017 investment banking fit questions also known as investment banking behavioral questions are any questions that do not fall into one of the other categories above examples include why do you want to work at our bank

investment connection virginia richmond fed - May 11 2023

web oct 4 2021 the investment connection funders portal houses numerous proposals for high impact projects that meet community reinvestment act cra guidelines and are available for funding banks foundations government entities and other financial entities can register for access and view the latest proposals

226 investment banking jobs in virginia united states 11 new - Dec 06 2022

web today s top 226 investment banking jobs in virginia united states leverage your professional network and get hired new investment banking jobs added daily

what are some good questions to ask an investment banker - Feb 25 2022

web apr 3 2021 here is a list of some interesting questions that could be asked from an investment banker what type of investment banker are they in the investment banking industry bankers are categorized into two groups product group and industry some of the mainstream product groups include initial public offerings ipos mergers

virginia investment banks axial - Jul 13 2023

web virginia investment banks there are 17 virginia investment banks featured on axial s lower middle market directory all of the virginia investment banks included in this directory were populated with information from axial s digital m a platform

investment banking jobs employment in virginia indeed com - Nov 05 2022

web 350 investment banking jobs available in virginia on indeed com apply to investment analyst investment banking analyst banking associate and more