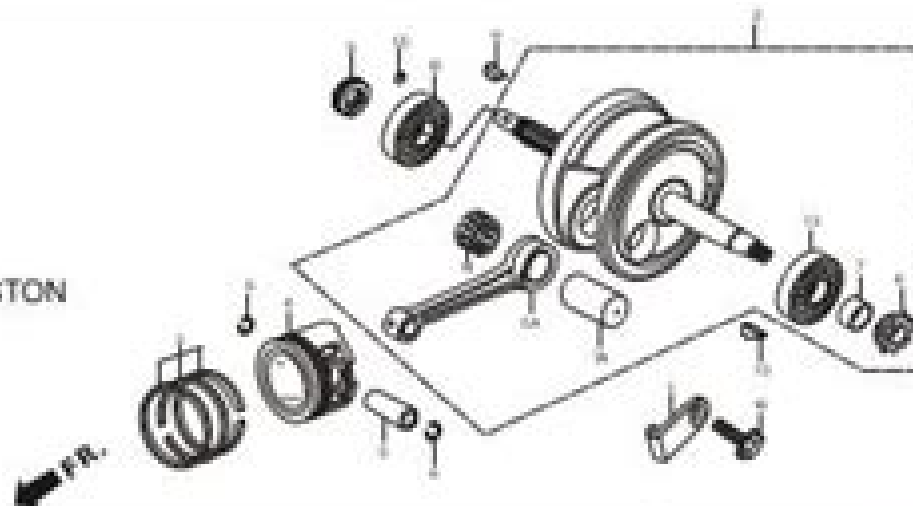


E-9 CRANK SHAFT/PISTON



Service Item	P.A.T.	Qty.	Part No.	Description	Repl. No./New COVER SPLINDOR	
					CRANK SET	
					SPK	CRK
*CRANK SHAFT COMP.	4.0	1	13004-K7C-000	PLATE, BEARING SET	0	0
*RING SET, PISTON	1.0	0	13005-K7C-000	CRANK SHAFT COMP.	1	1
*RING OIL						
*RING PISTON	1.0	0	13006-K7C-000	RING SET, PISTON (STD)	1	1
*PROD. CONNECTING ROD (ACTUAL, TIME)			13007-K7C-000	RING SET, PISTON (J2 S. 0.25)	(1)	(1)
*BEARING MAIN, PISTON (STD)	4.0		13008-K7C-000	RING SET, PISTON (J2 S. 0.50)	(1)	(1)
(ADD 3.0 FOR SPK)			13009-K7C-000	RING SET, PISTON (J2 S. 0.75)	(1)	(1)
			13010-K7C-000	RING SET, PISTON (J2 S. 1.00)	(1)	(1)
		4	13011-K7C-000	PISTON (STD)	1	1
			13012-K7C-000	PISTON (J2 S. 0.25)	(1)	(1)
			13013-K7C-000	PISTON (J2 S. 0.50)	(1)	(1)
			13014-K7C-000	PISTON (J2 S. 0.75)	(1)	(1)
			13015-K7C-000	PISTON (J2 S. 1.00)	(1)	(1)
		0	13016-K7C-000	PIN, PISTON	1	1
		0	13017-K7C-000	PISTON PIN CLIP	2	2
		54	13018-K7C-000	ROD, CONNECTING	1	1
		7	13019-K7C-000	COLLAR, CRANK SHAFT LEFT	1	1
		104	13020-K7C-000	PIN, CRANK	1	1
		0	13021-K7C-000	SPROCKET TIE ROD	1	1
		0	13022-K7C-000	GEAR OIL, PLAIN (100)	1	1

Hero Honda Splendor Engine Diagram

Mark Steyvers



Hero Honda Splendor Engine Diagram:

Intelligent Manufacturing and Energy Sustainability A.N.R. Reddy,Deepak Marla,Milan Simic,Margarita N. Favorskaya,Suresh Chandra Satapathy,2020-02-14 This book includes selected high quality papers presented at the International Conference on Intelligent Manufacturing and Energy Sustainability ICIMES 2019 held at the Department of Mechanical Engineering Malla Reddy College of Engineering Technology MRCET Maisammaguda Hyderabad India from 21 to 22 June 2019 It covers topics in the areas of automation manufacturing technology and energy sustainability **Mergent International Manual** ,2001

Reviewing **Hero Honda Splendor Engine Diagram**: Unlocking the Spellbinding Force of Linguistics

In a fast-paced world fueled by information and interconnectivity, the spellbinding force of linguistics has acquired newfound prominence. Its capacity to evoke emotions, stimulate contemplation, and stimulate metamorphosis is actually astonishing. Within the pages of "**Hero Honda Splendor Engine Diagram**," an enthralling opus penned by a very acclaimed wordsmith, readers embark on an immersive expedition to unravel the intricate significance of language and its indelible imprint on our lives. Throughout this assessment, we shall delve in to the book is central motifs, appraise its distinctive narrative style, and gauge its overarching influence on the minds of its readers.

<https://py.bijouxmedusa.com/results/virtual-library/HomePages/leap%20advanced%20reading%20and%20writing%20student%20book%20with%20cw.pdf>

Table of Contents Hero Honda Splendor Engine Diagram

1. Understanding the eBook Hero Honda Splendor Engine Diagram
 - The Rise of Digital Reading Hero Honda Splendor Engine Diagram
 - Advantages of eBooks Over Traditional Books
2. Identifying Hero Honda Splendor Engine Diagram
 - Exploring Different Genres
 - Considering Fiction vs. Non-Fiction
 - Determining Your Reading Goals
3. Choosing the Right eBook Platform
 - Popular eBook Platforms
 - Features to Look for in an Hero Honda Splendor Engine Diagram
 - User-Friendly Interface
4. Exploring eBook Recommendations from Hero Honda Splendor Engine Diagram
 - Personalized Recommendations
 - Hero Honda Splendor Engine Diagram User Reviews and Ratings

- Hero Honda Splendor Engine Diagram and Bestseller Lists
- 5. Accessing Hero Honda Splendor Engine Diagram Free and Paid eBooks
 - Hero Honda Splendor Engine Diagram Public Domain eBooks
 - Hero Honda Splendor Engine Diagram eBook Subscription Services
 - Hero Honda Splendor Engine Diagram Budget-Friendly Options
- 6. Navigating Hero Honda Splendor Engine Diagram eBook Formats
 - ePub, PDF, MOBI, and More
 - Hero Honda Splendor Engine Diagram Compatibility with Devices
 - Hero Honda Splendor Engine Diagram Enhanced eBook Features
- 7. Enhancing Your Reading Experience
 - Adjustable Fonts and Text Sizes of Hero Honda Splendor Engine Diagram
 - Highlighting and Note-Taking Hero Honda Splendor Engine Diagram
 - Interactive Elements Hero Honda Splendor Engine Diagram
- 8. Staying Engaged with Hero Honda Splendor Engine Diagram
 - Joining Online Reading Communities
 - Participating in Virtual Book Clubs
 - Following Authors and Publishers Hero Honda Splendor Engine Diagram
- 9. Balancing eBooks and Physical Books Hero Honda Splendor Engine Diagram
 - Benefits of a Digital Library
 - Creating a Diverse Reading Collection Hero Honda Splendor Engine Diagram
- 10. Overcoming Reading Challenges
 - Dealing with Digital Eye Strain
 - Minimizing Distractions
 - Managing Screen Time
- 11. Cultivating a Reading Routine Hero Honda Splendor Engine Diagram
 - Setting Reading Goals Hero Honda Splendor Engine Diagram
 - Carving Out Dedicated Reading Time
- 12. Sourcing Reliable Information of Hero Honda Splendor Engine Diagram
 - Fact-Checking eBook Content of Hero Honda Splendor Engine Diagram
 - Distinguishing Credible Sources

13. Promoting Lifelong Learning
 - Utilizing eBooks for Skill Development
 - Exploring Educational eBooks
14. Embracing eBook Trends
 - Integration of Multimedia Elements
 - Interactive and Gamified eBooks

Hero Honda Splendor Engine Diagram Introduction

In the digital age, access to information has become easier than ever before. The ability to download Hero Honda Splendor Engine Diagram has revolutionized the way we consume written content. Whether you are a student looking for course material, an avid reader searching for your next favorite book, or a professional seeking research papers, the option to download Hero Honda Splendor Engine Diagram has opened up a world of possibilities. Downloading Hero Honda Splendor Engine Diagram provides numerous advantages over physical copies of books and documents. Firstly, it is incredibly convenient. Gone are the days of carrying around heavy textbooks or bulky folders filled with papers. With the click of a button, you can gain immediate access to valuable resources on any device. This convenience allows for efficient studying, researching, and reading on the go. Moreover, the cost-effective nature of downloading Hero Honda Splendor Engine Diagram has democratized knowledge. Traditional books and academic journals can be expensive, making it difficult for individuals with limited financial resources to access information. By offering free PDF downloads, publishers and authors are enabling a wider audience to benefit from their work. This inclusivity promotes equal opportunities for learning and personal growth. There are numerous websites and platforms where individuals can download Hero Honda Splendor Engine Diagram. These websites range from academic databases offering research papers and journals to online libraries with an expansive collection of books from various genres. Many authors and publishers also upload their work to specific websites, granting readers access to their content without any charge. These platforms not only provide access to existing literature but also serve as an excellent platform for undiscovered authors to share their work with the world. However, it is essential to be cautious while downloading Hero Honda Splendor Engine Diagram. Some websites may offer pirated or illegally obtained copies of copyrighted material. Engaging in such activities not only violates copyright laws but also undermines the efforts of authors, publishers, and researchers. To ensure ethical downloading, it is advisable to utilize reputable websites that prioritize the legal distribution of content. When downloading Hero Honda Splendor Engine Diagram, users should also consider the potential security risks associated with online platforms. Malicious actors may exploit vulnerabilities in unprotected websites to distribute malware or steal personal information. To protect themselves, individuals should ensure

their devices have reliable antivirus software installed and validate the legitimacy of the websites they are downloading from. In conclusion, the ability to download Hero Honda Splendor Engine Diagram has transformed the way we access information. With the convenience, cost-effectiveness, and accessibility it offers, free PDF downloads have become a popular choice for students, researchers, and book lovers worldwide. However, it is crucial to engage in ethical downloading practices and prioritize personal security when utilizing online platforms. By doing so, individuals can make the most of the vast array of free PDF resources available and embark on a journey of continuous learning and intellectual growth.

FAQs About Hero Honda Splendor Engine Diagram Books

What is a Hero Honda Splendor Engine Diagram PDF? A PDF (Portable Document Format) is a file format developed by Adobe that preserves the layout and formatting of a document, regardless of the software, hardware, or operating system used to view or print it. **How do I create a Hero Honda Splendor Engine Diagram PDF?** There are several ways to create a PDF: Use software like Adobe Acrobat, Microsoft Word, or Google Docs, which often have built-in PDF creation tools. Print to PDF: Many applications and operating systems have a "Print to PDF" option that allows you to save a document as a PDF file instead of printing it on paper. Online converters: There are various online tools that can convert different file types to PDF. **How do I edit a Hero Honda Splendor Engine Diagram PDF?** Editing a PDF can be done with software like Adobe Acrobat, which allows direct editing of text, images, and other elements within the PDF. Some free tools, like PDFescape or Smallpdf, also offer basic editing capabilities. **How do I convert a Hero Honda Splendor Engine Diagram PDF to another file format?** There are multiple ways to convert a PDF to another format: Use online converters like Smallpdf, Zamzar, or Adobe Acrobats export feature to convert PDFs to formats like Word, Excel, JPEG, etc. Software like Adobe Acrobat, Microsoft Word, or other PDF editors may have options to export or save PDFs in different formats. **How do I password-protect a Hero Honda Splendor Engine Diagram PDF?** Most PDF editing software allows you to add password protection. In Adobe Acrobat, for instance, you can go to "File" -> "Properties" -> "Security" to set a password to restrict access or editing capabilities. Are there any free alternatives to Adobe Acrobat for working with PDFs? Yes, there are many free alternatives for working with PDFs, such as: LibreOffice: Offers PDF editing features. PDFsam: Allows splitting, merging, and editing PDFs. Foxit Reader: Provides basic PDF viewing and editing capabilities. How do I compress a PDF file? You can use online tools like Smallpdf, ILovePDF, or desktop software like Adobe Acrobat to compress PDF files without significant quality loss. Compression reduces the file size, making it easier to share and download. Can I fill out forms in a PDF file? Yes, most PDF viewers/editors like Adobe Acrobat, Preview (on Mac), or various online tools allow you to fill out forms in PDF files by selecting text fields and entering information. Are there any restrictions when working with PDFs?

Some PDFs might have restrictions set by their creator, such as password protection, editing restrictions, or print restrictions. Breaking these restrictions might require specific software or tools, which may or may not be legal depending on the circumstances and local laws.

Find Hero Honda Splendor Engine Diagram :

[leap advanced reading and writing student book with cw](#)

[lifesigns tapping the power of synchronicity serendipity and miracles](#)

[lego wedo users guide look at this to get a feel for wedo](#)

[learner english](#)

libro francese scuole medie

las mejores peliculas online de la red mas de 5500 pelis

larson precalculus 7th edition online

language teaching methodology by david nunan

lg 29fe5age tg crt circuit diagram

[lephalale fet college application forms 2017](#)

[le grand complot les services secrets iraniens ontils manipuleacute le gouvernement francecedilais](#)

lista de precio 20 de octubre de 2017 materiales para la

[lektiri za iv 4 oddelenie](#)

[lg g pad software update](#)

[lemony snicket when did you see her last](#)

Hero Honda Splendor Engine Diagram :

Die Kartause von Parma Die Kartause von Parma ist ein Roman des französischen Schriftstellers Stendhal aus dem Jahr 1839. La Chartreuse de Parme, Titelblatt von 1846 ... Die Kartause von Parma: Roman Die Kartause von Parma: Roman | Edl, Elisabeth, Stendhal, Edl, Elisabeth | ISBN: 9783446209350 | Kostenloser Versand für alle Bücher mit Versand und Verkauf ... Die Kartause von Parma (Fernsehserie) Die Kartause von Parma ist ein TV-Drama in sechs Folgen aus dem Jahr 1982, das von der RAI, ITF Polytel Italiana und der deutschen Tele München Gruppe ... Die Kartause von Parma von Stendhal Bei allem Realismus ist Die Kartause von Parma als tragische Romanze auch Stendhals Kommentar zur Gefühlskälte der Politik. Gina Sanseverina wird mit einem ... Die Kartause Von Parma: STENDHAL Die Kartause Von Parma ; ASIN, B0000BO8JM ;

Publisher, Im Verlag Kurt Desch. (January 1, 1956) ; Language, German ; Hardcover, 0 pages ; Item Weight, 1.21 ... Die Kartause von Parma - Bücher Die Kartause von Parma · Erscheinungsdatum: 15.09.2007 · 1000 Seiten · Hanser Verlag · Fester Einband · ISBN 978-3-446-20935-0 · Deutschland: 44,00 € ... Die Kartause von Parma - mit Gérard Philippe Aufwändige französisch-italienische Klassiker-Verfilmung des gleichnamigen Romans (1839) von Stendhal aus dem Jahr 1948 mit Gérard Philippe in der Hauptrolle. Stendhal: Die Kartause von Parma. Roman Oct 10, 2007 — Herausgegeben von Paul Delbouille und Kurt Kloocke. Ce volume contient les textes politiques et les textes d'inspiration personnelle redigés par ... Die Kartause von Parma - Stendhal Übersetzt von: Arthur Schurig · Verlag: FISCHER E-Books · Erscheinungstermin: 19.12.2011 · Lieferstatus: Verfügbar · 1230 Seiten · ISBN: 978-3-10-401217-9 ... Die Kartause von Parma »Die Kartause von Parma«, die ihre Entstehung einem langen Reifeprozess verdankt, ist eine glückliche Mischung aus Abenteuergeschichte, psychologischer Analyse ... Mercedes-Benz M260/M264 engine The M260 and M264 are turbocharged inline-four engines produced by Mercedes-Benz since 2017. It is the successor to the M270 and M274 engine. TTS Eurocars - The 2.0L M264 Mild Hybrid Engine found in... The 2.0L M264 Mild Hybrid Engine found in several of our popular Mercedes-Benz models indeed offers sports car ... New four-cylinder petrol engine ... Smarter new engine family to underpin Mercedes of the ... Nov 1, 2016 — It's not all high-end AMG six and eight-cylinders in the refreshed engine lineup, though. The new M264 turbocharged inline-four with a specific ... The Mercedes-Benz M260 and M264 ... The new series includes a 1.5-liter and 2.0-liter inline four-cylinder gasoline engines with turbocharger and direct fuel injection. Like the M270, the M260 ... Mercedes-Benz unveils Gen4 A-Class; bigger, new ... Feb 3, 2018 — All the new A-Class models are powered by new, efficient engines: two new four-cylinder gasoline engines are available at market launch. List of Mercedes-Benz engines Mercedes-Benz has produced a range of petrol, diesel, and natural gas engines. This is a list of all internal combustion engine models manufactured. 16C968_02 | Mercedes-Benz Vierzylinder-Benzinmotor ... Jun 30, 2017 — ... M264 ; Mercedes-Benz four-Cylinder engine, M264;; Orientation - Horizontal (normal); Artist - Daimler AG - Global Communications Mercedes-Benz ... M-B's 2019 C-class sedan to get new M264 engine Feb 19, 2018 — Mercedes-Benz's 2019 C-class sedan will get the automaker's new M264 four-cylinder engine but it will come without the 48-volt system ... Mercedes-Benz Powertrain Portfolio Bus EURO VI. Mercedes-Benz Powertrain offers outperforming and individual engineered powertrain components: engine systems, transmissions and axles - each will provide our ... Holt Lifetime Health Teacher Edition by Friedman, David P. Holt Lifetime Health Teacher Edition · Book overview. Great book for high school health. Holt Lifetime Health: Teacher's Edition (2009 Copyright) ISBN: 9780030962202 - Teacher's Edition - Hardcover - Holt, Rinehart And Winston - 2009 - Condition: Very Good - No Jacket - Very Good, Clean And Unmarked ... Lifetime Health, Holt California Teacher Edition - Books Book details · Print length. 0 pages · Language. English · Publisher. Holt · Publication date. January 1, 2004 · ISBN-10. 0030382769 · ISBN-13. 978-0030382765. Lifetime Health - Teacher's Edition by HOLT RINEHART ... Published in 2009, this widely popular book has

proven to serve its audience well, based on the abundance of positive reviews it has received by its readers. Lifetime Health: Teacher Edition - Hardcover Lifetime Health: Teacher Edition by Holt, Rinehart, And Winston, Inc. - ISBN 10: 003096220X - ISBN 13: 9780030962202 - HOLT, RINEHART AND WINSTON - 2009 ... 9780030646164: Holt Lifetime Health Teacher Edition The Holt Lifetime Health Teacher Edition book is in very low demand now as the rank for the book is 829,339 at the moment. It's a very low rank, and the book ... Lifetime Health - by Holt, Rinehart, and Winston, Inc. Buy a cheap copy of Lifetime Health Teacher's Edition 2009 book by Holt, Rinehart, and Winston, Inc.. Free Shipping on all orders over \$15. Lifetime Health: Teacher Edition 2009 Holt Lifetime Health -- Teacher's Edition (Hardcover)(11.5"x9.35"x1.15") by David P. Friedman, Curtis C. Stine & Shannon Whalen *** 9780030962202 ... Holt Lifetime Health: Teacher's Edition A book that has been read but is in good condition. Very minimal damage to the cover including scuff marks, but no holes or tears. health Teacher Edition. Development. Sandra Alters, Ph.D. Science and Health Writer. Montreal ... Your Road Map for Success with Lifetime Health. Read the Objectives.