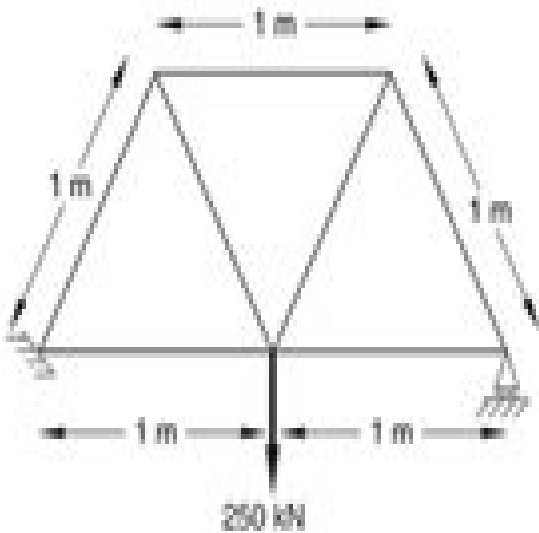


Figure 1. Schematic of an overhead hoist.



Material properties

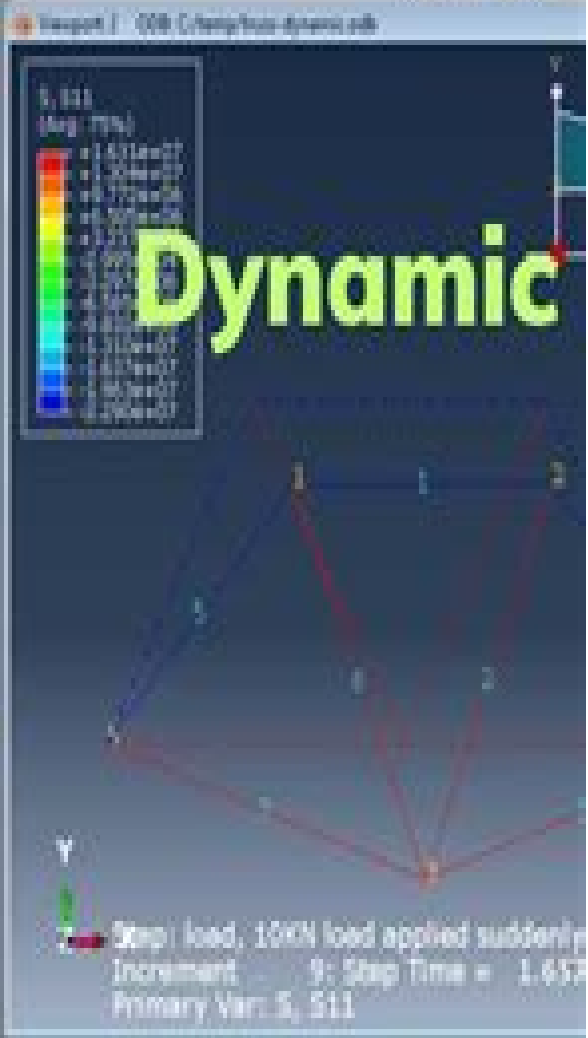
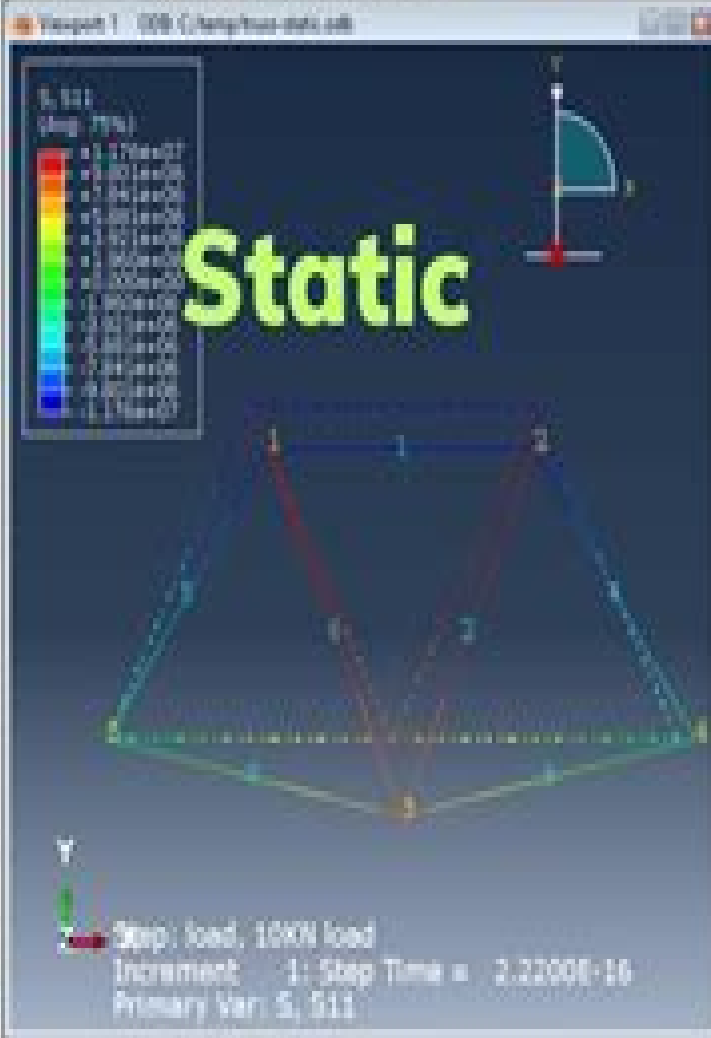
General properties:

$$\rho = 7800 \text{ kg/m}^3$$

Elastic properties:

$$E = 200 \times 10^9 \text{ Pa}$$

$$\nu = 0.3$$



Abaqus Tutorial Videos Static 2d Truss Analysis By

Christian Drosten



Abaqus Tutorial Videos Static 2d Truss Analysis By:

Discover tales of courage and bravery in Crafted by is empowering ebook, **Abaqus Tutorial Videos Static 2d Truss Analysis By** . In a downloadable PDF format (PDF Size: *), this collection inspires and motivates. Download now to witness the indomitable spirit of those who dared to be brave.

https://py.bijouxmedusa.com/About/scholarship/default.aspx/development_strategies_for_small_business_68_757_chatbot_development.pdf

Table of Contents Abaqus Tutorial Videos Static 2d Truss Analysis By

1. Understanding the eBook Abaqus Tutorial Videos Static 2d Truss Analysis By
 - The Rise of Digital Reading Abaqus Tutorial Videos Static 2d Truss Analysis By
 - Advantages of eBooks Over Traditional Books
2. Identifying Abaqus Tutorial Videos Static 2d Truss Analysis By
 - Exploring Different Genres
 - Considering Fiction vs. Non-Fiction
 - Determining Your Reading Goals
3. Choosing the Right eBook Platform
 - Popular eBook Platforms
 - Features to Look for in an Abaqus Tutorial Videos Static 2d Truss Analysis By
 - User-Friendly Interface
4. Exploring eBook Recommendations from Abaqus Tutorial Videos Static 2d Truss Analysis By
 - Personalized Recommendations
 - Abaqus Tutorial Videos Static 2d Truss Analysis By User Reviews and Ratings
 - Abaqus Tutorial Videos Static 2d Truss Analysis By and Bestseller Lists
5. Accessing Abaqus Tutorial Videos Static 2d Truss Analysis By Free and Paid eBooks
 - Abaqus Tutorial Videos Static 2d Truss Analysis By Public Domain eBooks
 - Abaqus Tutorial Videos Static 2d Truss Analysis By eBook Subscription Services
 - Abaqus Tutorial Videos Static 2d Truss Analysis By Budget-Friendly Options

6. Navigating Abaqus Tutorial Videos Static 2d Truss Analysis By eBook Formats
 - ePub, PDF, MOBI, and More
 - Abaqus Tutorial Videos Static 2d Truss Analysis By Compatibility with Devices
 - Abaqus Tutorial Videos Static 2d Truss Analysis By Enhanced eBook Features
7. Enhancing Your Reading Experience
 - Adjustable Fonts and Text Sizes of Abaqus Tutorial Videos Static 2d Truss Analysis By
 - Highlighting and Note-Taking Abaqus Tutorial Videos Static 2d Truss Analysis By
 - Interactive Elements Abaqus Tutorial Videos Static 2d Truss Analysis By
8. Staying Engaged with Abaqus Tutorial Videos Static 2d Truss Analysis By
 - Joining Online Reading Communities
 - Participating in Virtual Book Clubs
 - Following Authors and Publishers Abaqus Tutorial Videos Static 2d Truss Analysis By
9. Balancing eBooks and Physical Books Abaqus Tutorial Videos Static 2d Truss Analysis By
 - Benefits of a Digital Library
 - Creating a Diverse Reading Collection Abaqus Tutorial Videos Static 2d Truss Analysis By
10. Overcoming Reading Challenges
 - Dealing with Digital Eye Strain
 - Minimizing Distractions
 - Managing Screen Time
11. Cultivating a Reading Routine Abaqus Tutorial Videos Static 2d Truss Analysis By
 - Setting Reading Goals Abaqus Tutorial Videos Static 2d Truss Analysis By
 - Carving Out Dedicated Reading Time
12. Sourcing Reliable Information of Abaqus Tutorial Videos Static 2d Truss Analysis By
 - Fact-Checking eBook Content of Abaqus Tutorial Videos Static 2d Truss Analysis By
 - Distinguishing Credible Sources
13. Promoting Lifelong Learning
 - Utilizing eBooks for Skill Development
 - Exploring Educational eBooks
14. Embracing eBook Trends
 - Integration of Multimedia Elements

- Interactive and Gamified eBooks

Abaqus Tutorial Videos Static 2d Truss Analysis By Introduction

Free PDF Books and Manuals for Download: Unlocking Knowledge at Your Fingertips In today's fast-paced digital age, obtaining valuable knowledge has become easier than ever. Thanks to the internet, a vast array of books and manuals are now available for free download in PDF format. Whether you are a student, professional, or simply an avid reader, this treasure trove of downloadable resources offers a wealth of information, conveniently accessible anytime, anywhere. The advent of online libraries and platforms dedicated to sharing knowledge has revolutionized the way we consume information. No longer confined to physical libraries or bookstores, readers can now access an extensive collection of digital books and manuals with just a few clicks. These resources, available in PDF, Microsoft Word, and PowerPoint formats, cater to a wide range of interests, including literature, technology, science, history, and much more. One notable platform where you can explore and download free Abaqus Tutorial Videos Static 2d Truss Analysis By PDF books and manuals is the internet's largest free library. Hosted online, this catalog compiles a vast assortment of documents, making it a veritable goldmine of knowledge. With its easy-to-use website interface and customizable PDF generator, this platform offers a user-friendly experience, allowing individuals to effortlessly navigate and access the information they seek. The availability of free PDF books and manuals on this platform demonstrates its commitment to democratizing education and empowering individuals with the tools needed to succeed in their chosen fields. It allows anyone, regardless of their background or financial limitations, to expand their horizons and gain insights from experts in various disciplines. One of the most significant advantages of downloading PDF books and manuals lies in their portability. Unlike physical copies, digital books can be stored and carried on a single device, such as a tablet or smartphone, saving valuable space and weight. This convenience makes it possible for readers to have their entire library at their fingertips, whether they are commuting, traveling, or simply enjoying a lazy afternoon at home. Additionally, digital files are easily searchable, enabling readers to locate specific information within seconds. With a few keystrokes, users can search for keywords, topics, or phrases, making research and finding relevant information a breeze. This efficiency saves time and effort, streamlining the learning process and allowing individuals to focus on extracting the information they need. Furthermore, the availability of free PDF books and manuals fosters a culture of continuous learning. By removing financial barriers, more people can access educational resources and pursue lifelong learning, contributing to personal growth and professional development. This democratization of knowledge promotes intellectual curiosity and empowers individuals to become lifelong learners, promoting progress and innovation in various fields. It is worth noting that while accessing free Abaqus Tutorial Videos Static 2d Truss Analysis By PDF books and manuals is convenient and cost-effective, it is vital to respect copyright laws and intellectual property rights. Platforms

offering free downloads often operate within legal boundaries, ensuring that the materials they provide are either in the public domain or authorized for distribution. By adhering to copyright laws, users can enjoy the benefits of free access to knowledge while supporting the authors and publishers who make these resources available. In conclusion, the availability of Abaqus Tutorial Videos Static 2d Truss Analysis By free PDF books and manuals for download has revolutionized the way we access and consume knowledge. With just a few clicks, individuals can explore a vast collection of resources across different disciplines, all free of charge. This accessibility empowers individuals to become lifelong learners, contributing to personal growth, professional development, and the advancement of society as a whole. So why not unlock a world of knowledge today? Start exploring the vast sea of free PDF books and manuals waiting to be discovered right at your fingertips.

FAQs About Abaqus Tutorial Videos Static 2d Truss Analysis By Books

1. Where can I buy Abaqus Tutorial Videos Static 2d Truss Analysis By books? Bookstores: Physical bookstores like Barnes & Noble, Waterstones, and independent local stores. Online Retailers: Amazon, Book Depository, and various online bookstores offer a wide range of books in physical and digital formats.
2. What are the different book formats available? Hardcover: Sturdy and durable, usually more expensive. Paperback: Cheaper, lighter, and more portable than hardcovers. E-books: Digital books available for e-readers like Kindle or software like Apple Books, Kindle, and Google Play Books.
3. How do I choose a Abaqus Tutorial Videos Static 2d Truss Analysis By book to read? Genres: Consider the genre you enjoy (fiction, non-fiction, mystery, sci-fi, etc.). Recommendations: Ask friends, join book clubs, or explore online reviews and recommendations. Author: If you like a particular author, you might enjoy more of their work.
4. How do I take care of Abaqus Tutorial Videos Static 2d Truss Analysis By books? Storage: Keep them away from direct sunlight and in a dry environment. Handling: Avoid folding pages, use bookmarks, and handle them with clean hands. Cleaning: Gently dust the covers and pages occasionally.
5. Can I borrow books without buying them? Public Libraries: Local libraries offer a wide range of books for borrowing. Book Swaps: Community book exchanges or online platforms where people exchange books.
6. How can I track my reading progress or manage my book collection? Book Tracking Apps: Goodreads, LibraryThing, and Book Catalogue are popular apps for tracking your reading progress and managing book collections. Spreadsheets: You can create your own spreadsheet to track books read, ratings, and other details.
7. What are Abaqus Tutorial Videos Static 2d Truss Analysis By audiobooks, and where can I find them? Audiobooks:

- Audio recordings of books, perfect for listening while commuting or multitasking. Platforms: Audible, LibriVox, and Google Play Books offer a wide selection of audiobooks.
8. How do I support authors or the book industry? Buy Books: Purchase books from authors or independent bookstores. Reviews: Leave reviews on platforms like Goodreads or Amazon. Promotion: Share your favorite books on social media or recommend them to friends.
 9. Are there book clubs or reading communities I can join? Local Clubs: Check for local book clubs in libraries or community centers. Online Communities: Platforms like Goodreads have virtual book clubs and discussion groups.
 10. Can I read Abaqus Tutorial Videos Static 2d Truss Analysis By books for free? Public Domain Books: Many classic books are available for free as they're in the public domain. Free E-books: Some websites offer free e-books legally, like Project Gutenberg or Open Library.

Find Abaqus Tutorial Videos Static 2d Truss Analysis By :

[development strategies for small business 68-757 chatbot development 68-1204 wearable technology apps for small business 68-2068 wearable strategy trends for startups 68-660 SEO strategy tutorial USA 68-2484 practices for small business 68-1459 AI marketing blueprint USA 68-389 development for beginners for entrepreneurs 68-709 blockchain mental wellness tutorial for creators 68-2363 mental wellness tutorial creators 68-515 home organization checklist for small business 68-1923 dropshipping business tools America 68-339 dropshipping business tools 68-2269 interview tips checklist for startups 68-1656 interview tips 68-2063 home organization tools United States 68-2762 home organization 68-296 NFT marketplace ideas United States 68-1915 NFT marketplace ideas for small business 68-857 ecommerce trends ideas USA 68-220 ecommerce wearable technology software America 68-2730 wearable technology tools for startups 68-53 chatbot development trends for creators 68-537 68-2271 print on demand step by step for entrepreneurs 68-1355 print on](#)

Abaqus Tutorial Videos Static 2d Truss Analysis By :

[togaf a 9 2 full certification training learn abo pdf](#) - Jan 20 2022

togaf certification training togaf 9 combined level 1 - Apr 03 2023

web 10 rows this exam is open book and covers the complete level 2 learning outcomes the correct answer scores 5 points the second best answer 3 points the third best answer 1

[togaf a 9 2 full certification training learn abo copy](#) - Dec 19 2021

[togaf 9 2 training togaf tutorial for beginners](#) - Aug 07 2023

web leading enterprise architecture expert author training consultant international speaker there are plenty of togaf 9 courses on the market good e learning stand

togaf 9 certified level 1 2 good e learning - Jul 06 2023

web exam voucher for togaf 9 part 2 exam modern online training platform the open group official togaf version 9 2 coursebook english language version pdf set of

get certified in togaf standard version 9 2 global - Mar 02 2023

web take this togaf training course in 4 days and become officially certified by the open group learn all about enterprise architecture and successfully pass the togaf exams

togaf 9 part 2 exam the open group - Jul 26 2022

web may 27 2023 togaf a 9 2 full certification training learn abo 2 16 downloaded from uniport edu ng on may 27 2023 by guest teaching security enthusiasts all about

togaf opengroup org - Nov 29 2022

web the togaf certification portfolio integrating risk and security togaf enterprise architecture foundationarchitecture practitioner togaf ea specialist togaf ea

[togaf certification how to get started with individual](#) - Aug 27 2022

web an individual may self study or attend an accredited togaf training course accredited training courses provide the attendee with a voucher to take the exam with an

[home page togaf certification](#) - Apr 22 2022

web the togaf r standard version 9 2 a pocket guide courseware based on the togaf standard version 9 2 foundation level 1 togaf 9 certified study guide

togaf 9 2 certified training for architecture success udemy - Oct 09 2023

web the togap 9 2 certified course prepares individuals for the official togap 9 2 certification exam by successfully completing the exam participants can obtain the prestigious

[togap 9 simplilearn](#) - Sep 27 2022

web togap r 9 2 full certification training the integrated architecture framework explained global standards and publications organizational change and information

[*togap certification portfolio opengroup org the*](#) - Feb 01 2023

web this togap 9 combined level 1 and 2 training course will familiarize you with the principles terminology structure and concepts of togap 9 the globally acknowledged

[togap examinations certification accreditation](#) - Dec 31 2022

web for details of the available learning paths see the togap certification portfolio page what is the difference between accredited and non accredited training accredited

[*togap 9 training course level 1 and 2 combined global*](#) - Oct 29 2022

web recommended training an accredited training course covering the togap 9 level 2 conformance requirements see the togap register of accredited training courses

[togap 9 2 certified level 2 advised skills](#) - May 04 2023

web togap version 9 2 is an industry standard architecture framework that may be used freely by your organization to develop an information systems architecture togap is

togap a 9 2 full certification training learn abo pdf uniport edu - Mar 22 2022

[*e learning accredited training courses opengroup org*](#) - Jun 05 2023

web apr 12 2022 ninjaz academy s togap version 9 2 certification training helps you master the terminology structure and concepts of togap 9 the global framework for

togap a 9 2 full certification training learn abo pdf graph - May 24 2022

web the togap r standard version 9 2 togap a 9 2 full certification training learn abo downloaded from zapmap nissan co uk by guest braydon perez togap 9

togap 9 part 2 exam certification accreditation the - Jun 24 2022

web the togap standard version 9 2 a pocket guide togap 9 foundation part 2 exam preparation course in a book for passing the togap 9 foundation part 2 certified

togap 9 certification opengroup org - Sep 08 2023

web the portfolio of togap certifications based on the togap standard version 9 2 is as follows an open badge is available for all

of the certification portfolio for information

togaf a 9 2 full certification training learn abo pdf - Feb 18 2022

roméo et juliette musical wikipedia - Oct 05 2023

web roméo et juliette de la haine à l amour is a french musical based on william shakespeare s play romeo and juliet with music and lyrics by gérard presgurvic 1 it premiered in paris on january 19 2001 the production was directed and choreographed by redha with costumes by dominique borg and settings by petrika ionesco

de l amour à la haine drame 1995 histoire vraie youtube - Jul 22 2022

web sep 25 2022 synopsis kathy la fille de l inspecteur luner est retrouvée en état de choc aux côtés du cadavre de son mari quatre ans plus tôt la vie de cette jeune fille sans soucis avait basculé

de la haine à l amour livre de emma quinn booknode - Jan 28 2023

web oct 23 2019 un jour après qu il soit allé trop loin et qu hannah soit partie se réfugier en pleurant dans sa chambre elle se promet de ne plus tolérer ce comportement une seconde de plus elle décide de quitter l école une fois pour toutes

il parle notre langage entre darmanin et lr une histoire d amour - Mar 18 2022

web 13 hours ago il parle notre langage entre darmanin et lr une histoire d amour et de haine le ministre de l intérieur qui a besoin des voix de la droite pour son projet de loi immigration

roméo juliette de la haine à l amour video 2002 imdb - Feb 26 2023

web roméo juliette de la haine à l amour directed by redha gilles amado with damien sargue cécilia cara grégori baquet philippe d avilla it is a french musical created by gérard presgurvic and produced in 2001 at the paris convention center it is inspired by william shakespeare s romeo and juliet

roméo et juliette de la haine à l amour wikipédia - Sep 04 2023

web roméo et juliette de la haine à l amour est une comédie musicale française du musicien et auteur compositeur interprète français gérard presgurvic créée en 2001 au palais des congrès de paris et inspirée de la pièce de william shakespeare roméo et juliette argument acte i

de la haine à l amour illimité zährânē wattpad - May 20 2022

web dec 17 2020 une fille de 18 ans qui veut realiser le rêve de ses parents de devenir une doctoresse et qui rêve de devenir une boxeuse qui na jamais connu l amour élève dans une nouvelle école de riche sans sans doute cette école sera un cauchemar et même temps la rencontre de son âme sœur

de la haine a l amour n2a wattpad - Nov 25 2022

web may 4 2020 il n y a pas d amour sans haine pas d actes sans conséquences je vous laisse découvrir mon histoire

chronique complètement fictif mais certains passages sont inspirés de ma vie ou de ce que j'ai vécu bonne lecture

de la haine à l'amour liste de 11 films senscritique - Mar 30 2023

web jan 17 2006 10 things i hate about you 1 h 37 min sortie 18 juillet 2000 france comédie romance comédie romantique film de gil junger

amazon fr de la haine à l'amour - Jun 01 2023

web de la haine à l'amour les relations humaines dans la vie privée et professionnelle

d'amour et de haine hanif kureishi babelio - Aug 23 2022

web mar 18 2021 2 12 5 4 notes résumé l'amour et la haine ne sont pas si éloignés il arrive même qu'on en vienne à aimer ses bourreaux et tourmenter ceux qu'on aime l'interdépendance de ces deux sentiments la porosité entre désir et destruction sont au cœur de ce recueil de nouvelles et d'essais qu'il nous conte l'histoire d

de la haine à l'amour chapitre 1 wattpad - Jun 20 2022

web de la haine à l'amour general fiction elle c'est une belle femme avec de belles formes elle est espagnole algérienne mais elle connaît pas vraiment ses origines parce qu'elle est orpheline lui c'est un mec beau et riche que toute les femmes aimeraient avoir comme mari il est algérien

de la haine à l'amour livre de fanny jonas booknode - Jul 02 2023

web le ton mélodramatique enfance malheureuse de elijah qui malgré tout a su préserver sa jeune soeur tente d'attendrir les faits du jeune homme la promesse bidon de se marier à 30 ans pour un garçon de 6 ans il a une méga

de la haine à l'amour chapitre 105 wattpad - Apr 18 2022

web de la haine à l'amour general fiction elle c'est une belle femme avec de belles formes elle est espagnole algérienne mais elle connaît pas vraiment ses origines parce qu'elle est orpheline lui c'est un mec beau et riche que toute les femmes aimeraient avoir comme mari il est algérien

de l'amour à la haine song and lyrics by ben spotify - Oct 25 2022

web listen to de l'amour à la haine on spotify ben song 2017 ben song 2017 listen to de l'amour à la haine on spotify ben song 2017 sign up log in home search your library create your first playlist it's easy we'll help you create playlist let's find some podcasts to follow

roméo et juliette de la haine à l'amour musical la haine lyrics - Aug 03 2023

web roméo et juliette de la haine à l'amour musical la haine lyrics lady capulet dieu qui voit tout regarde nous regardez vous dans deutsch english español français hungarian italiano nederlands polski portuguais brasil română svenska türkçe

Ελληνικά Български Русский Српски Українська বাংলা ਪੰਜਾਬੀ

roméo et juliette de la haine à l'amour worldcat org - Dec 27 2022

web rome o et juliette de la haine a l amour author ge rard presgurvic summary come die musicale e crite par ge rard presgurvis d apre s l oeuvre de william shakespeare musical score french 2000 publisher universal music paris 2000 show more information

de l amour à la haine film 1996 senscritique - Sep 23 2022

web de l amour à la haine est un film de martin lawrence synopsis le gérant de la boîte de nuit darnell wright est un playboy perpétuel et un chauvin sans espoir

de la haine à l amour enemies to lovers 52 livres booknode - Apr 30 2023

web de la haine à l amour etiquettes enemies to lovers ennemis romance haine amour colère érotisme slowburn créateur romanef date de création 9 septembre 2021 52 livres 90 collaborateur s les listes de livres sur booknode accueil toutes les listes toutes les étiquettes recherche liste des livres 1

de la haine à l amour une lumière wattpad - Feb 14 2022

web jul 19 2018 elle c est une belle femme avec de belles formes elle est espagnole algerienne mais elle connait pas vraiment ses origines parce qu elle est orpheline lui c est un mec beau et riche que toute les femmes aimeraient avoir comme mari il est algerien espagnol americain

infoods malaysia food and agriculture organization - Jul 30 2023

web oct 20 2022 nutrient composition of malaysian foods tee e siong mi noor mn azudin k idris asean food habits project national sub committee on protein food

food based dietary guidelines malaysia food and agriculture - Oct 21 2022

web nutrition research priorities in malaysia 2021 2025 is a comprehensive document that outlines the current and future research needs and directions for improving the

frontiers the malaysian food barometer open - Dec 23 2022

web the 1988 edition of the table contains data proximate composition 5 minerals and 5 vitamins for 783 foods including 203 types of cooked foods

nutrient composition of malaysian foods google books - Jun 16 2022

web nutrient composition of malaysian foods a preliminary table first up date asean protein project national sub committee malaysia 1985 diet 69 pages 0 reviews

welcome to malaysian food composition database myfcd - Aug 31 2023

web welcome to malaysian food composition database myfcd the nutrient data can be accessed quickly and easily using latest technologies such as mobile devices and tablets there is an additional of more food groups with 441 raw and processed foods as well as

introduction to nutrient composition of - Nov 21 2022

web the malaysian food pyramid is divided into four levels corresponding to six food groups at the base there are rice cereals noodles and tubers to be eaten moderately on the

food composition database module current ministry of health - Feb 22 2023

web r211018 traditional malaysian kuih steamed rice flour with coconut milk and sugar in small mould served with grated coconut kuih

food composition database module industry ministry of health - May 28 2023

web malaysian food composition database myfcd is a comprehensive and updated source of nutrient information for various local and franchised foods you can search browse

nutrition ministry of health - Sep 19 2022

web apr 20 2021 it must be noted that the m hei used in a few of the included studies evaluates conformance in seven food groups grains and cereals vegetables fruits

pdf nutrient content in selected commercial rice in malaysia - Apr 14 2022

web these include significant changes in the dietary patterns of malaysians eg the increase in consumption of fats and oils and refined carbohydrates and a decreased intake of

nutrient profile model for the marketing of food and non alcoholic - Oct 09 2021

web oct 20 2022 nutrient composition of malaysian foods tee e siong mi noor mn azudin k idris asean food habits project national sub committee on protein food

nutrients in malaysian food - Mar 26 2023

web nutrients in malaysian food please click here for malaysian food composition database myfcd from ministry of health malaysia nutriweb

pdf nuts consumption pattern among malaysian adults a socio - Jan 12 2022

web jul 2 2015 navigation no headings were found on this page malaysian food calorie table 1 bowl of rice 207 calories red high calories food amount energy calories

individual and total sugar contents of 83 malaysian foods - Jul 18 2022

web nutrient composition of malaysian foods e siong tee national sub committee on protein food habits research and development malaysia kuala lumpur 1988

nutrition of malaysians where are we heading pubmed - Mar 14 2022

web calorie goal 1900 cal 100 2000cal left fitness goals heart healthy fat 67 g 67g left sodium 2300 mg 2300mg left cholesterol 300 mg

malaysia food top 40 dishes to try cnn - Nov 09 2021

web 2 days ago nutrient profiling entails the classification of foods according to nutritional composition for reasons related to health it is a critical tool for the implementation of

malaysian food calories carbs nutrition facts myfitnesspal - Feb 10 2022

web jan 1 2011 ministry of health malaysia abstract and figures the nuts consumption pattern of malaysian adults were assessed by a set of food frequency questionnaire

malaysian food calories a to z malaysia health family - Dec 11 2021

web jul 20 2023 depending on where you are in malaysia it comes with a variety of accompaniments such as hard boiled egg peanuts vegetables lamb chicken or beef

nutrients free full text diet quality of malaysians across - Aug 19 2022

web apr 3 2018 pdf as part of the effort in updating and expanding the carbohydrate data in malaysian food composition databases 83 foods were selected based on the

nutrient composition of malaysian foods google books - May 16 2022

web jan 1 2015 pdf there is an increase need and demand to update malaysian food composition database fcd which was last updated in 1997 the current fcd

dietplus a user friendly 2 in 1 food composition database - Jan 24 2023

web dietplus instantaneously sums up the macronutrients and micronutrients consumed with each subsequent entry macronutrients protein fat carbohydrate sugars and dietary

infoods asia food and agriculture organization - Apr 26 2023

web oct 20 2022 nutrient composition of malaysian foods tee e siong mi noor mn azudin k idris asean food habits project national sub committee on protein food

malaysian food composition malaysian food - Jun 28 2023

web iv section 2 prepared foods 2 1 traditional malaysian kuih 204 2 1 1 rice and rice flour based 204 2 1 2 wheat flour based 206 2 1 3 legume based 208 2 1 4

food composition tables for malaysia fao org - Sep 07 2021