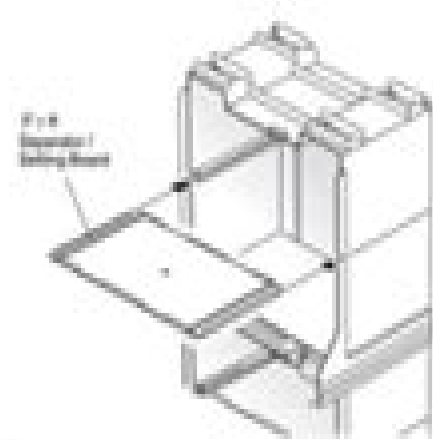
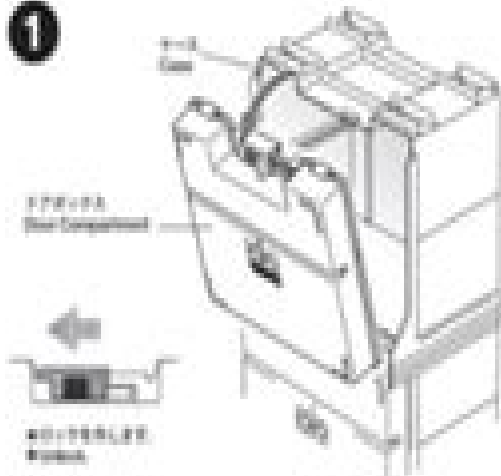
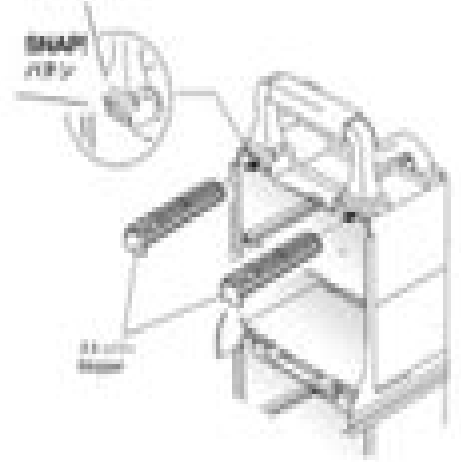


**1**



**2**



**3**



**ATTENTION**  
 Do not use the cart to transport heavy loads.  
 The maximum load capacity is 100 kg.



**ATTENTION**  
 Do not use the cart to transport heavy loads.  
 The maximum load capacity is 100 kg.

**4**

**ATTENTION**  
 Do not use the cart to transport heavy loads.  
 The maximum load capacity is 100 kg.

**ATTENTION**  
 Do not use the cart to transport heavy loads.  
 The maximum load capacity is 100 kg.

# Abr202a Technical Manual

**RS Peters**



**Abr202a Technical Manual:**

Eventually, you will no question discover a further experience and triumph by spending more cash. still when? accomplish you agree to that you require to acquire those every needs once having significantly cash? Why dont you try to get something basic in the beginning? Thats something that will guide you to comprehend even more with reference to the globe, experience, some places, subsequently history, amusement, and a lot more?

It is your agreed own epoch to perform reviewing habit. among guides you could enjoy now is **Abr202a Technical Manual** below.

<https://py.bijouxmedusa.com/public/virtual-library/fetch.php/handbook%20of%20polymer%20coatings%20for%20electronics%20chemistry%20technology%20and%20applications%20materials%20science%20and%20process%20technology%20series.pdf>

## **Table of Contents Abr202a Technical Manual**

1. Understanding the eBook Abr202a Technical Manual
  - The Rise of Digital Reading Abr202a Technical Manual
  - Advantages of eBooks Over Traditional Books
2. Identifying Abr202a Technical Manual
  - Exploring Different Genres
  - Considering Fiction vs. Non-Fiction
  - Determining Your Reading Goals
3. Choosing the Right eBook Platform
  - Popular eBook Platforms
  - Features to Look for in an Abr202a Technical Manual
  - User-Friendly Interface
4. Exploring eBook Recommendations from Abr202a Technical Manual
  - Personalized Recommendations
  - Abr202a Technical Manual User Reviews and Ratings

- Abr202a Technical Manual and Bestseller Lists
- 5. Accessing Abr202a Technical Manual Free and Paid eBooks
  - Abr202a Technical Manual Public Domain eBooks
  - Abr202a Technical Manual eBook Subscription Services
  - Abr202a Technical Manual Budget-Friendly Options
- 6. Navigating Abr202a Technical Manual eBook Formats
  - ePub, PDF, MOBI, and More
  - Abr202a Technical Manual Compatibility with Devices
  - Abr202a Technical Manual Enhanced eBook Features
- 7. Enhancing Your Reading Experience
  - Adjustable Fonts and Text Sizes of Abr202a Technical Manual
  - Highlighting and Note-Taking Abr202a Technical Manual
  - Interactive Elements Abr202a Technical Manual
- 8. Staying Engaged with Abr202a Technical Manual
  - Joining Online Reading Communities
  - Participating in Virtual Book Clubs
  - Following Authors and Publishers Abr202a Technical Manual
- 9. Balancing eBooks and Physical Books Abr202a Technical Manual
  - Benefits of a Digital Library
  - Creating a Diverse Reading Collection Abr202a Technical Manual
- 10. Overcoming Reading Challenges
  - Dealing with Digital Eye Strain
  - Minimizing Distractions
  - Managing Screen Time
- 11. Cultivating a Reading Routine Abr202a Technical Manual
  - Setting Reading Goals Abr202a Technical Manual
  - Carving Out Dedicated Reading Time
- 12. Sourcing Reliable Information of Abr202a Technical Manual
  - Fact-Checking eBook Content of Abr202a Technical Manual
  - Distinguishing Credible Sources

13. Promoting Lifelong Learning
  - Utilizing eBooks for Skill Development
  - Exploring Educational eBooks
14. Embracing eBook Trends
  - Integration of Multimedia Elements
  - Interactive and Gamified eBooks

### **Abr202a Technical Manual Introduction**

In this digital age, the convenience of accessing information at our fingertips has become a necessity. Whether its research papers, eBooks, or user manuals, PDF files have become the preferred format for sharing and reading documents. However, the cost associated with purchasing PDF files can sometimes be a barrier for many individuals and organizations. Thankfully, there are numerous websites and platforms that allow users to download free PDF files legally. In this article, we will explore some of the best platforms to download free PDFs. One of the most popular platforms to download free PDF files is Project Gutenberg. This online library offers over 60,000 free eBooks that are in the public domain. From classic literature to historical documents, Project Gutenberg provides a wide range of PDF files that can be downloaded and enjoyed on various devices. The website is user-friendly and allows users to search for specific titles or browse through different categories. Another reliable platform for downloading Abr202a Technical Manual free PDF files is Open Library. With its vast collection of over 1 million eBooks, Open Library has something for every reader. The website offers a seamless experience by providing options to borrow or download PDF files. Users simply need to create a free account to access this treasure trove of knowledge. Open Library also allows users to contribute by uploading and sharing their own PDF files, making it a collaborative platform for book enthusiasts. For those interested in academic resources, there are websites dedicated to providing free PDFs of research papers and scientific articles. One such website is Academia.edu, which allows researchers and scholars to share their work with a global audience. Users can download PDF files of research papers, theses, and dissertations covering a wide range of subjects. Academia.edu also provides a platform for discussions and networking within the academic community. When it comes to downloading Abr202a Technical Manual free PDF files of magazines, brochures, and catalogs, Issuu is a popular choice. This digital publishing platform hosts a vast collection of publications from around the world. Users can search for specific titles or explore various categories and genres. Issuu offers a seamless reading experience with its user-friendly interface and allows users to download PDF files for offline reading. Apart from dedicated platforms, search engines also play a crucial role in finding free PDF files. Google, for instance, has an advanced search feature that allows users to filter results by file type. By specifying the file type as "PDF," users can find websites that offer

free PDF downloads on a specific topic. While downloading Abr202a Technical Manual free PDF files is convenient, its important to note that copyright laws must be respected. Always ensure that the PDF files you download are legally available for free. Many authors and publishers voluntarily provide free PDF versions of their work, but its essential to be cautious and verify the authenticity of the source before downloading Abr202a Technical Manual. In conclusion, the internet offers numerous platforms and websites that allow users to download free PDF files legally. Whether its classic literature, research papers, or magazines, there is something for everyone. The platforms mentioned in this article, such as Project Gutenberg, Open Library, Academia.edu, and Issuu, provide access to a vast collection of PDF files. However, users should always be cautious and verify the legality of the source before downloading Abr202a Technical Manual any PDF files. With these platforms, the world of PDF downloads is just a click away.

### FAQs About Abr202a Technical Manual Books

**What is a Abr202a Technical Manual PDF?** A PDF (Portable Document Format) is a file format developed by Adobe that preserves the layout and formatting of a document, regardless of the software, hardware, or operating system used to view or print it. **How do I create a Abr202a Technical Manual PDF?** There are several ways to create a PDF: Use software like Adobe Acrobat, Microsoft Word, or Google Docs, which often have built-in PDF creation tools. Print to PDF: Many applications and operating systems have a "Print to PDF" option that allows you to save a document as a PDF file instead of printing it on paper. Online converters: There are various online tools that can convert different file types to PDF. **How do I edit a Abr202a Technical Manual PDF?** Editing a PDF can be done with software like Adobe Acrobat, which allows direct editing of text, images, and other elements within the PDF. Some free tools, like PDFescape or Smallpdf, also offer basic editing capabilities. **How do I convert a Abr202a Technical Manual PDF to another file format?** There are multiple ways to convert a PDF to another format: Use online converters like Smallpdf, Zamzar, or Adobe Acrobats export feature to convert PDFs to formats like Word, Excel, JPEG, etc. Software like Adobe Acrobat, Microsoft Word, or other PDF editors may have options to export or save PDFs in different formats. **How do I password-protect a Abr202a Technical Manual PDF?** Most PDF editing software allows you to add password protection. In Adobe Acrobat, for instance, you can go to "File" -> "Properties" -> "Security" to set a password to restrict access or editing capabilities. Are there any free alternatives to Adobe Acrobat for working with PDFs? Yes, there are many free alternatives for working with PDFs, such as: LibreOffice: Offers PDF editing features. PDFsam: Allows splitting, merging, and editing PDFs. Foxit Reader: Provides basic PDF viewing and editing capabilities. How do I compress a PDF file? You can use online tools like Smallpdf, ILovePDF, or desktop software like Adobe Acrobat to compress PDF files without significant quality loss. Compression reduces the file size, making it easier to

share and download. Can I fill out forms in a PDF file? Yes, most PDF viewers/editors like Adobe Acrobat, Preview (on Mac), or various online tools allow you to fill out forms in PDF files by selecting text fields and entering information. Are there any restrictions when working with PDFs? Some PDFs might have restrictions set by their creator, such as password protection, editing restrictions, or print restrictions. Breaking these restrictions might require specific software or tools, which may or may not be legal depending on the circumstances and local laws.

**Find Abr202a Technical Manual :**

*handbook of polymer coatings for electronics chemistry technology and applications materials science and process technology series*

[handbook of biopolymers and biodegradable plastics properties processing and applications plastics design library](#)

**high profit candlestick patterns**

[headway four edition intermediate workbook key](#)

*heavier than heaven a biography of kurt cobain*

heath chemistry laboratory experiment 20g answers

**hbrs 10 must reads on strategy including featured article aeuroewhat is strategyaeur by michael e porter**

[health psychology taylor](#)

holt physics chapter 17 test

**h1000 pilot installation manual tinley electronics**

[health final exam study guide answers](#)

*history and systems of psychology brennan*

**historia de los inventos sucesos n 12 libros maravillosos**

[high yield biostatistics epidemiology public health](#)

[haryana cm window check complaint latest status stage](#)

**Abr202a Technical Manual :**

**o tannenbaum o albero o tannenbaum o albero spart pdf** - Apr 30 2022

web may 17 2023 o tannenbaum o albero o tannenbaum o albero spart pdf recognizing the quirk ways to acquire this book o tannenbaum o albero o o albero spart o tannenbaum choral octavo nov 03 2022 traditional german christmas carol arranged by jim clements for satb divisi and dedicated to voces8 duration 3

**o tannenbaum o albero o tannenbaum o albero spart pdf 2023** - Dec 27 2021

web jun 21 2023 o tannenbaum o albero o tannenbaum o albero spart pdf eventually you will unquestionably discover a further experience and success by spending more cash web o tannenbaum o albero o tannenbaum o albero spart o tannenbaum choral octavo nov 03 2022 traditional german christmas carol arranged by jim

**l albero di natale o tannenbaum canzoni di natale** - Apr 11 2023

web l albero di natale è la versione italiana di o tannenbaum un canto popolare tedesco di cui si ignora l autore e che risale al xvi xvii secolo le parole del canto tedesco sono state composte per la prima volta nel 1824 da ernst anschütz un organista di lipsia che si ispirò ad un brano popolare della slesia

o albero tannenbaum youtube - Nov 06 2022

web jun 13 2018 provided to youtube by dv digitalo albero tannenbaum coro bambini tradizionaleil più bel natale dv digitalreleased on 2013 10 18auto generated by you

o tannenbaum o albero o tannenbaum o albero spart pdf - Jan 28 2022

web may 28 2023 o tannenbaum o albero o tannenbaum o albero spart pdf thank you unquestionably much for downloading o spart o tannenbaum l albero di natale song and lyrics by coro web listen to o tannenbaum l albero di natale on spotify coro bimbofestival song 2013 o tannenbaum o christmas

**o tannenbaum wikiwand** - Oct 05 2022

web o tannenbaum albero di natale l albero di natale in italiano è un canto tradizionale tedesco nonché assieme a jingle bells a white christmas stille nacht e tu scendi dalle stelle una delle più famose canzoni natalizie

o tannenbaum oh albero di natale youtube - May 12 2023

web o tannebaum o tannenbaum o tannenbaum wie treu sind deine blätter du grünst nicht nur zur sommerzeit nein auch im winter wenn es schneit o tannenbaum o ta

**o tannenbaum o albero di natale tropeadintorni it** - Feb 09 2023

web dec 21 2019 o tannenbaum o albero di natale o tannenbaum conosciuta in italiano come oh albero di natale o semplicemente oh albero è una canzone popolare tedesca e una delle canzoni tradizionali natalizie più famose di sempre la canzone è un inno all abete in tedesco tanne e al suo essere sempreverde

**o tannenbaum oh albero ukulele tutorial youtube** - Mar 10 2023

web o tannenbaum oh albero ukulele tutorial testo accordi in pdf youtube un classico di natale per ukulele tutorial pdf gratuito buone feste da ukulele coach scarica qui il pdf

o tannenbaum wikipedia - Jul 14 2023

web o tannenbaum albero di natale l albero di natale in italiano è un canto tradizionale tedesco nonché assieme a jingle bells

a white christmas stille nacht e tu scendi dalle stelle una delle più famose canzoni natalizie  
*o tannenbaum testo originale e traduzione unheilig metal* - Feb 26 2022

web jun 29 2011 unheilig o tannenbaum oh albero di natale 1 1 o tannenbaum conosciuta in italiano come oh albero di natale o semplicemente oh albero è una canzone popolare tedesca e una delle canzoni tradizionali natalizie più famose di sempre la canzone è un inno all abete in tedesco tanne e al suo essere sempreverde

**oh albero o tannenbaum accordi e spartiti** - Sep 04 2022

web pianoforte synth tastiere oh albero è la traduzione italiana del noto canto natalizio o tannenbaum di provenienza tedesca non abbiamo notizia su chi possa aver composto la musica ma sicuramente gli storici fanno risalire la melodia a cavallo tra il

**oh albero di natale o tannenbaum o christmas** - Aug 03 2022

web dec 25 2017 o tannenbaum è un canto tradizionale tedesco nonché assieme a jingle bells a white christmas stille nacht e tu scendi dalle stelle una delle più famose canzoni natalizie

o tannenbaum l albero di natale song and lyrics by coro - Jan 08 2023

web listen to o tannenbaum l albero di natale on spotify coro bimbofestival song 2013

**o tannenbaum la tradizionale canzone di natale tedesca che** - Jul 02 2022

web dec 24 2016 o tannenbaum la tradizionale canzone di natale tedesca che tradotta è oh albero di natale 24 dicembre 2016 2 commenti in libri e poesie da berlino magazine in italiano la chiamiamo albero di natale ma la popolare canzone natalizia in tedesco è intitolata tannenbaum ovvero abete

*o tannenbaum o albero o tannenbaum o albero spartito* - Jun 01 2022

web o tannenbaum o albero o tannenbaum o albero spartito per voce e pianoforte con mp3 christmas music for voice and piano vol 2 ebook alessandrini ester amazon it libri

andrea bocelli o tannenbaum o christmas tree oh albero - Aug 15 2023

web o tannenbaum o tannenbaum r with italian german english lyrics o tannenbaum oh albero o christmas treeo tannenbaum o tannenbaum risplendi nella notte

*o tannenbaum o albero o tannenbaum o albero spartito per* - Mar 30 2022

web o tannenbaum o albero o tannenbaum o albero spartito per voce e pianoforte con mp3 by ester alessandrini l albero di natale o tannenbaum by i piccoli cori degli february 8th 2020 check out l albero di natale o tannenbaum by i piccoli cori degli angeli on music stream ad free or purchase cd s and mp3s now on co uk

*o albero o tannenbaum youtube* - Jun 13 2023

web provided to youtube by iip ddso albero o tannenbaum coro i piccoli cantori di milanonatale con i piccoli cantori di milano agrifoglio edizioni musicalir

*unheilig o tannenbaum lyrics italian translation* - Dec 07 2022

web quanto spesso d inverno un albero non mi ha rallegrato tanto quanto te oh albero di natale puoi piacermi molto tu sei verde non solo d estate collections with o tannenbaum 1 unheilig frohes fest 2002 2 unheilig tannenbaum ep 2002 unheilig top 3 1 geboren um zu leben 2 o tannenbaum 3 so wie du warst

**resume formats for freshers 32 free resume** - Dec 06 2022

web jun 9 2022 writing a resume as a fresher is similar to writing a resume as an experienced job applicant however you need to make sure you use the best resume

**2 fresher doctor resume samples examples download now** - Jan 27 2022

web free fresher dme requirement example resume sample fresher dme requirement job resume fresher dme requirement cv and biodata examples a fresher dme

**fresher resume templates formats for 2022 easy resume** - May 31 2022

web 1 90 days training from xxxx hospital assisting the senior doctor for patient s check up observing them while performing their duties assisting to them in surgery checking the

*free fresher resume template download in word google* - Mar 29 2022

web sample resume format for fresher dme requirement sample resumes download best sample resume or biodata cv formats for fresher dme requirement sample resumes

*dme resume format for fresher and experience yuvajobs com* - May 11 2023

web jun 29 2023 learning more about this type of resume and referencing a template and example can help prepare you before searching for a role in this article we explain what

*summary for a resume for freshers examples how to write* - Jan 07 2023

web jun 13 2023 an example of a resume format for freshers that ticks all the right boxes how to choose a resume format for fresher jobs that will land you more interviews tips

**customer service durable medical equipment resume** - Jun 12 2023

web advertisement we provide sample resume for dme freshers with complete guideline and tips to prepare a well formatted resume the dme cv is typically the first item that a

**profile summary for freshers 10 examples talent** - Nov 05 2022

web professional resume anil kumar p k kalapurakkal h p o kodakara thrissur pin 680684 kerala india mob 9562545334 email anilkumarkodakara

*the best 2022 fresher resume formats and samples* - Oct 04 2022

web fresher resume templates if you re new to the industry and still finding your footing you ll benefit from one of these

single page resume templates that highlight your education  
[dme supervisor cover letter example great sample resume](#) - Dec 26 2021

**how to write a fresher resume with example and** - Mar 09 2023

web may 30 2023 a resume summary for freshers is a short introductory paragraph at the top of your resume that helps you present your qualifications skills and accomplishments in

**diploma in mechanical engineering dme resume** - Jul 13 2023

web supervisor of customer support center for durable medical equipment call center as well as 12 years experience as a customer service representative in a busy dme office expert

**resume format for hiring fresher dme** - Oct 24 2021

**how to write a fresher resume tips and samples glassdoor** - Apr 29 2022

web here is the experienced dme supervisor cover letter example dear ms jessica neal i am applying for the dme supervisor position with interface rehab and i have the

*resume format for freshers best simple examples for jobs zety* - Sep 03 2022

web jun 29 2021 the resume format for freshers is generally simple and easy to scan by highlighting your skills strengths and work experience the resume helps to bring you to

**resume for freshers templates format tips cv genius** - Feb 25 2022

web sample resume format for hiring fresher dme download best sample resume or biodata cv formats for hiring fresher dme freshers and experience in pdf ms word format

**how to write a fresher resume with simple format examples** - Aug 02 2022

web template net gives freshers a chance to get competent applicant resumes with our free printable fresher resume templates choose from template examples that fit your

[resume format for fresher dme requirement](#) - Sep 22 2021

*fresher mechanical diploma technician resume format* - Jul 01 2022

web may 19 2023 resume for freshers templates fresher resume format tips 19 may 2023 by aaron case cprw reviewed by samuel johns cprw scroll down to learn

[resume for freshers how to make objective sample](#) - Feb 08 2023

web a profile summary for freshers is an essential section to be included in a resume and cover letter it is a headline to the

rest of the document that portrays skills qualifications

*resume format for fresher dme requirement sample resumes* - Nov 24 2021

[durable medical equipment specialist resume example](#) - Aug 14 2023

web looking for resumes online search hundreds of thousands of real resumes samples from livecareer s resume example directory the largest publicly searchable database of

[about me in resume for fresher 31 strong examples](#) - Apr 10 2023

web apr 24 2023 how to make a resume for a fresher that will boost your chances of landing your first job which resume sections you should include in your fresher resume and in

**pmp pocket guide the ultimate pmp exam cheat sheets pmbok guide** - Mar 10 2023

web pmp pocket guide the ultimate pmp exam cheat sheets pmbok guide 6th edition goodrich belinda 9780997598360 books amazon ca

[pmp pocket guide the ultimate pmp exam cheat sheets pmbok guide](#) - Jul 14 2023

web pmp pocket guide the ultimate pmp exam cheat sheets pmbok guide 6th edition goodrich belinda amazon com tr kitap *pmp pocket guide the ultimate pmp exam cheat sheets pmbok guide* - May 12 2023

web jan 12 2019 pmp pocket guide the ultimate pmp exam cheat sheets pmbok guide 6th edition kindle edition by belinda goodrich author format kindle edition 4 2 out of 5 stars 49 ratings

**pmp pocket guide the ultimate pmp exam cheat sheets pmbok guide** - Aug 03 2022

web pmp pocket guide the ultimate pmp exam cheat sheets pmbok guide 6th edition goodrich belinda isbn 9780997598360 kostenloser versand für alle bücher mit versand und verkauf duch amazon

*pmp cheat sheet to use in 2023 and beyond pmp exam prep pocket guide* - Feb 26 2022

web receive all the pmp terms formulas and conceptualized that you must to clear the pmp exam the a handy pmp cheat sheet there are many riddle questions in the pmp exam get all the pmp terms formulas and concepts that you necessity toward clear the pmp exam in one handy pmp cheat sheet

[pmp pocket guide the ultimate pmp exam cheat sheets pmbok guide](#) - Aug 15 2023

web feb 15 2018 build your exam preparation confidence with this exceptional pmp quick reference study guide this supplemental tool is a key weapon in your pmp exam preparation arsenal the concise summaries of all of the important concepts are essential to passing the pmp exam

**pmp exam prep eleventh edition pmp pocket guide the ultimate pmp** - Jul 02 2022

web 2023 exam ready fully aligned to the current pmp reg eco ultimate one source prep guide includes all you need to pass

the exam new agile hybrid amp predictive content exclusive tricks of the trade reg test taking tips new pmp prep tools case studies amp practice exam questions 30 years of exam prep training hundreds of thousands of pms

**pmp pocket guide the ult yumpu** - Dec 27 2021

web jul 3 2022 [pocket guide the ultimate pmp exam cheat sheets pmbok guide 6th edition](#) are significant composing tasks that writers love to get their crafting teeth into theyre easy to format for the reason that there wont be any paper webpage problems to worry about and they are quick to

[amazon com customer reviews pmp pocket guide the ultimate pmp exam](#) - Jan 28 2022

web find helpful customer reviews and review ratings for [pmp pocket guide the ultimate pmp exam cheat sheets pmbok guide 6th edition](#) at amazon com read honest and unbiased product reviews from our users

**pmp pocket guide the ultimate pmp exam cheat sheets goodreads** - Feb 09 2023

web jan 12 2019 build your exam preparation confidence with this exceptional pmp quick reference study guide this supplemental tool is a key weapon in your pmp exam preparation arsenal the concise summaries of all of the important concepts are essential to passing the pmp exam 70 pages kindle edition

**download pdf pmp pocket guide the ultimate pmp exam cheat sheets** - Apr 30 2022

web mar 17 2020 pdf download [pmp pocket guide the ultimate pmp exam cheat sheets](#) free acces pdf ebook download epub mobi kindle audiobook en english deutsch français español portuguêș italiano român nederlands latina dansk svenska norsk magyar bahasa indonesia türkçe suomi latvian lithuanian česk

**download pdf pmp pocket guide the ultimate pmp exam cheat sheets** - Jun 01 2022

web pdf download [pmp pocket guide the ultimate pmp exam cheat sheets](#) free acces pdf ebook download epub mobi kindle [pmp pocket guide the ultimate pmp exam cheat sheets books](#) - Apr 11 2023

web [pmp pocket guide the ultimate pmp exam cheat sheets books](#) build your exam preparation confidence with this exceptional pmp quick reference study guide this supplemental tool is a key weapon in your pmp exam preparation arsenal the concise summaries of all of the important concepts are essential to passing the pmp exam

*pmp pocket guide the ultimate pmp exam cheat sheets pmbok guide* - Mar 30 2022

web [pmp pocket guide the ultimate pmp exam cheat sheets pmbok guide 6th edition](#) kindle edition by belinda goodrich author format kindle edition 40 ratings see all formats and editions kindle edition 0 00 this title and over 1 million more available with kindle unlimited 422 00 to buy paperback

**pmp pocket guide the ultimate pmp exam cheat sheets pmbok guide** - Oct 05 2022

web build your exam preparation confidence with this exceptional pmp quick reference study guide this supplemental tool is a key weapon in your pmp exam preparation arsenal the concise summaries of all of the important concepts are essential to

passing the pmp exam

**pmp pocket guide the ultimate pmp exam cheat sheets pmbok guide** - Jan 08 2023

web abebooks com pmp pocket guide the ultimate pmp exam cheat sheets pmbok guide 6th edition 9780997598360 by goodrich belinda and a great selection of similar new used and collectible books available now at great prices

pmp pocket guide the ultimate pmp exam cheat sheets - Jun 13 2023

web jan 1 2016 paperback january 1 2016 build your exam preparation confidence with this exceptional pmp quick reference study guide this supplemental tool is a key weapon in your pmp exam preparation arsenal the concise summaries of all of the important concepts are essential to passing the pmp exam

**pmp pocket guide the ultimate pmp exam cheat sheets pmbok guide** - Dec 07 2022

web build your exam preparation confidence with this exceptional pmp quick reference study guide this supplemental tool is a key weapon in your pmp exam preparation arsenal the concise summaries of all of the important concepts are essential to passing the pmp exam includes the pmbok r guide framework descriptions of all 49 processes

**pmp cheat sheet to use in 2023 and beyond knowledgehut** - Nov 06 2022

web sep 5 2023 a pmp cheat sheet we ve gathered industry experts with vast experience in project management and asked them to compile a comprehensive list of pmp terms formulas and concepts into a neat little pmp cheat sheet for you to use as a learning tool as you prepare to write the pmp exam know more about importance of project charter

**pmp pocket guide the ultimate pmp exam cheat sheets** - Sep 04 2022

web build your exam preparation confidence with this exceptional pmp quick reference study guide pmp pocket guide the ultimate pmp exam cheat sheets by pmi sp belinda s fremouw pmp pmi rmp goodreads