

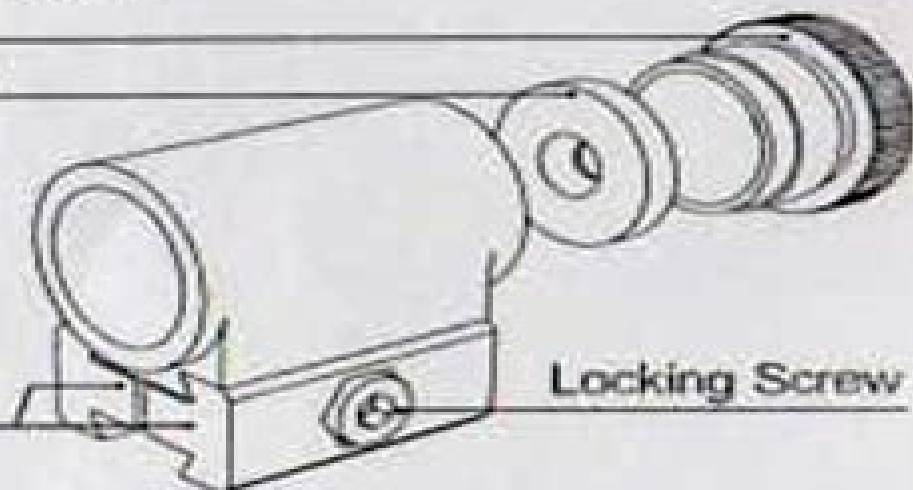
Front Aperture Sight:

Locking Piece

Sighting Piece

Base Clamp

Locking Screw



Rear Aperture Sight:

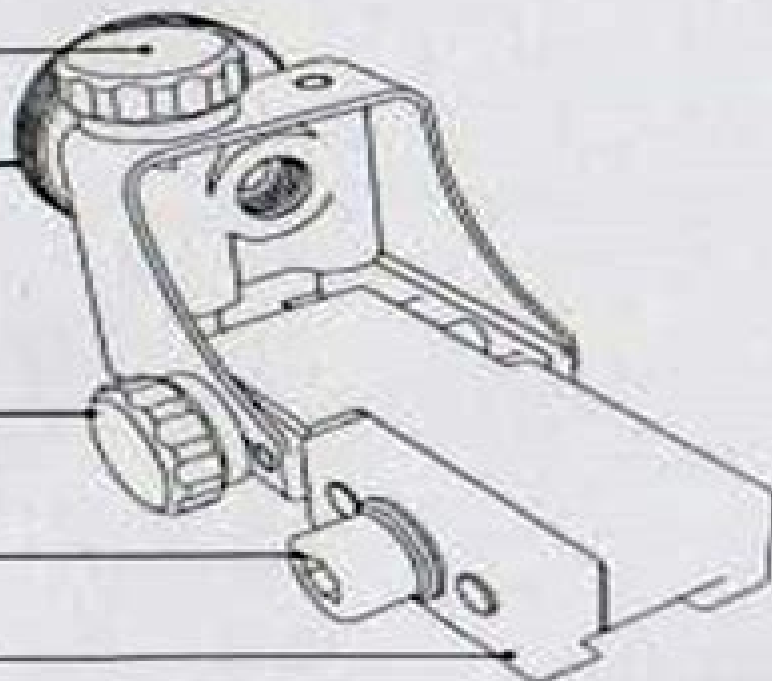
Elevation Knob

Eye Piece

Windage Knob

Locking Screw

Base Clamp



Adjusting Sights

United States. War Department



Adjusting Sights:

Technical Manual United States. War Department,1942 **Technical Manual** ,1942 **Accounts and Papers of the House of Commons** Great Britain. Parliament. House of Commons,1879 Patents for Inventions. Abridgments of Specifications Great Britain. Patent Office,1922 **Ordnance Maintenance, Gun and Carriage, 75-mm, M1897, All Types, and Special Field Artillery Vehicles** ,1942 **Text-book of Ordnance and Gunnery** William Freeland Fullam,Thomas Charles Hart,1905 **Form** United States. Army. Ordnance Dept,1917 **Handbook of the 4.7-inch Gun Matériel, Model of 1906...** United States. Army. Ordnance Department,1918 **War Department Technical Manual** ,1940 Manual of garrison artillery 1887. [Continued as] Garrison artillery drill [afterw.] training. [With] Amendments War office,1887 Parliamentary Papers Great Britain. Parliament. House of Commons,1908 *The Ordnance Districts* United States. Army. Ordnance Department,1906 Handbook of the 8-inch Howitzer Matériel, Model of 1917... United States. Army. Ordnance Department,1918 **Report** Pennsylvania. Adjutant-General's Office,1909 **Official Documents, Comprising the Department and Other Reports Made to the Governor, Senate and House of Representatives of Pennsylvania** ,1909 *Annual Report* Pennsylvania. Adjutant-General's Office,1910 **Report of the Adjutant General of Pennsylvania** Pennsylvania. Adjutant-General's Office,1909 **Official Documents, Comprising the Department and Other Reports Made to the Governor, Senate, and House of Representatives of Pennsylvania** Pennsylvania,1909 **Engineer Training Manual. U.S. Army** United States. Army. Corps of Engineers Board on engineer troops,1917 **Handbook for the 5-inch B.L. Howitzer** Great Britain. War Office,1905

Getting the books **Adjusting Sights** now is not type of inspiring means. You could not solitary going bearing in mind book accrual or library or borrowing from your links to right of entry them. This is an certainly simple means to specifically get lead by on-line. This online declaration Adjusting Sights can be one of the options to accompany you past having other time.

It will not waste your time. tolerate me, the e-book will no question vent you extra situation to read. Just invest little era to right of entry this on-line message **Adjusting Sights** as competently as review them wherever you are now.

https://py.bijouxmedusa.com/public/Resources/index.jsp/Small_Business_66_1006_Dropshipping_Business_Tools_For_Small_Business.pdf

Table of Contents Adjusting Sights

1. Understanding the eBook Adjusting Sights
 - The Rise of Digital Reading Adjusting Sights
 - Advantages of eBooks Over Traditional Books
2. Identifying Adjusting Sights
 - Exploring Different Genres
 - Considering Fiction vs. Non-Fiction
 - Determining Your Reading Goals
3. Choosing the Right eBook Platform
 - Popular eBook Platforms
 - Features to Look for in an Adjusting Sights
 - User-Friendly Interface
4. Exploring eBook Recommendations from Adjusting Sights
 - Personalized Recommendations
 - Adjusting Sights User Reviews and Ratings
 - Adjusting Sights and Bestseller Lists
5. Accessing Adjusting Sights Free and Paid eBooks

- Adjusting Sights Public Domain eBooks
- Adjusting Sights eBook Subscription Services
- Adjusting Sights Budget-Friendly Options
- 6. Navigating Adjusting Sights eBook Formats
 - ePub, PDF, MOBI, and More
 - Adjusting Sights Compatibility with Devices
 - Adjusting Sights Enhanced eBook Features
- 7. Enhancing Your Reading Experience
 - Adjustable Fonts and Text Sizes of Adjusting Sights
 - Highlighting and Note-Taking Adjusting Sights
 - Interactive Elements Adjusting Sights
- 8. Staying Engaged with Adjusting Sights
 - Joining Online Reading Communities
 - Participating in Virtual Book Clubs
 - Following Authors and Publishers Adjusting Sights
- 9. Balancing eBooks and Physical Books Adjusting Sights
 - Benefits of a Digital Library
 - Creating a Diverse Reading Collection Adjusting Sights
- 10. Overcoming Reading Challenges
 - Dealing with Digital Eye Strain
 - Minimizing Distractions
 - Managing Screen Time
- 11. Cultivating a Reading Routine Adjusting Sights
 - Setting Reading Goals Adjusting Sights
 - Carving Out Dedicated Reading Time
- 12. Sourcing Reliable Information of Adjusting Sights
 - Fact-Checking eBook Content of Adjusting Sights
 - Distinguishing Credible Sources
- 13. Promoting Lifelong Learning
 - Utilizing eBooks for Skill Development

- Exploring Educational eBooks
- 14. Embracing eBook Trends
 - Integration of Multimedia Elements
 - Interactive and Gamified eBooks

Adjusting Sights Introduction

Free PDF Books and Manuals for Download: Unlocking Knowledge at Your Fingertips In today's fast-paced digital age, obtaining valuable knowledge has become easier than ever. Thanks to the internet, a vast array of books and manuals are now available for free download in PDF format. Whether you are a student, professional, or simply an avid reader, this treasure trove of downloadable resources offers a wealth of information, conveniently accessible anytime, anywhere. The advent of online libraries and platforms dedicated to sharing knowledge has revolutionized the way we consume information. No longer confined to physical libraries or bookstores, readers can now access an extensive collection of digital books and manuals with just a few clicks. These resources, available in PDF, Microsoft Word, and PowerPoint formats, cater to a wide range of interests, including literature, technology, science, history, and much more. One notable platform where you can explore and download free Adjusting Sights PDF books and manuals is the internet's largest free library. Hosted online, this catalog compiles a vast assortment of documents, making it a veritable goldmine of knowledge. With its easy-to-use website interface and customizable PDF generator, this platform offers a user-friendly experience, allowing individuals to effortlessly navigate and access the information they seek. The availability of free PDF books and manuals on this platform demonstrates its commitment to democratizing education and empowering individuals with the tools needed to succeed in their chosen fields. It allows anyone, regardless of their background or financial limitations, to expand their horizons and gain insights from experts in various disciplines. One of the most significant advantages of downloading PDF books and manuals lies in their portability. Unlike physical copies, digital books can be stored and carried on a single device, such as a tablet or smartphone, saving valuable space and weight. This convenience makes it possible for readers to have their entire library at their fingertips, whether they are commuting, traveling, or simply enjoying a lazy afternoon at home. Additionally, digital files are easily searchable, enabling readers to locate specific information within seconds. With a few keystrokes, users can search for keywords, topics, or phrases, making research and finding relevant information a breeze. This efficiency saves time and effort, streamlining the learning process and allowing individuals to focus on extracting the information they need. Furthermore, the availability of free PDF books and manuals fosters a culture of continuous learning. By removing financial barriers, more people can access educational resources and pursue lifelong learning, contributing to personal growth and professional development. This democratization of knowledge promotes intellectual curiosity and empowers individuals to

become lifelong learners, promoting progress and innovation in various fields. It is worth noting that while accessing free Adjusting Sights PDF books and manuals is convenient and cost-effective, it is vital to respect copyright laws and intellectual property rights. Platforms offering free downloads often operate within legal boundaries, ensuring that the materials they provide are either in the public domain or authorized for distribution. By adhering to copyright laws, users can enjoy the benefits of free access to knowledge while supporting the authors and publishers who make these resources available. In conclusion, the availability of Adjusting Sights free PDF books and manuals for download has revolutionized the way we access and consume knowledge. With just a few clicks, individuals can explore a vast collection of resources across different disciplines, all free of charge. This accessibility empowers individuals to become lifelong learners, contributing to personal growth, professional development, and the advancement of society as a whole. So why not unlock a world of knowledge today? Start exploring the vast sea of free PDF books and manuals waiting to be discovered right at your fingertips.

FAQs About Adjusting Sights Books

How do I know which eBook platform is the best for me? Finding the best eBook platform depends on your reading preferences and device compatibility. Research different platforms, read user reviews, and explore their features before making a choice. Are free eBooks of good quality? Yes, many reputable platforms offer high-quality free eBooks, including classics and public domain works. However, make sure to verify the source to ensure the eBook credibility. Can I read eBooks without an eReader? Absolutely! Most eBook platforms offer webbased readers or mobile apps that allow you to read eBooks on your computer, tablet, or smartphone. How do I avoid digital eye strain while reading eBooks? To prevent digital eye strain, take regular breaks, adjust the font size and background color, and ensure proper lighting while reading eBooks. What the advantage of interactive eBooks? Interactive eBooks incorporate multimedia elements, quizzes, and activities, enhancing the reader engagement and providing a more immersive learning experience. Adjusting Sights is one of the best book in our library for free trial. We provide copy of Adjusting Sights in digital format, so the resources that you find are reliable. There are also many Ebooks of related with Adjusting Sights. Where to download Adjusting Sights online for free? Are you looking for Adjusting Sights PDF? This is definitely going to save you time and cash in something you should think about. If you trying to find then search around for online. Without a doubt there are numerous these available and many of them have the freedom. However without doubt you receive whatever you purchase. An alternate way to get ideas is always to check another Adjusting Sights. This method for see exactly what may be included and adopt these ideas to your book. This site will almost certainly help you save time and effort, money and stress. If you are looking for free books then you really should consider finding to assist you try this. Several of Adjusting Sights are for sale to free while some are payable. If

you are not sure if the books you would like to download work with for usage along with your computer, it is possible to download free trials. The free guides make it easy for someone to have free access to an online library for downloading books to your device. You can get free downloads on free trial for lots of book categories. Our library is the biggest of these that have literally hundreds of thousands of different product categories represented. You will also see that there are specific sites catered to different product types or categories, brands or niches related with Adjusting Sights. So depending on what exactly you are searching, you will be able to choose e-books to suit your own need. Need to access completely for Campbell Biology Seventh Edition book? Access Ebook without any digging. And by having access to our ebook online or by storing it on your computer, you have convenient answers with Adjusting Sights. To get started finding Adjusting Sights, you are right to find our website which has a comprehensive collection of books online. Our library is the biggest of these that have literally hundreds of thousands of different products represented. You will also see that there are specific sites catered to different categories or niches related with Adjusting Sights. So depending on what exactly you are searching, you will be able to choose ebook to suit your own need. Thank you for reading Adjusting Sights. Maybe you have knowledge that, people have searched numerous times for their favorite readings like this Adjusting Sights, but end up in harmful downloads. Rather than reading a good book with a cup of coffee in the afternoon, instead they juggled with some harmful bugs inside their laptop. Adjusting Sights is available in our book collection with an online access to it is set as public so you can download it instantly. Our digital library spans in multiple locations, allowing you to get the most less latency time to download any of our books like this one. Merely said, Adjusting Sights is universally compatible with any devices to read.

Find Adjusting Sights :

~~small business 66-1006 dropshipping business tools for small business~~
ideas United States 66-1390 SEO strategy ideas for creators 66-2097 SEO learning basics guide for creators 66-1088 machine learning basics ideas
~~startup funding step by step United States 66-1488 startup funding step~~
~~66-579 AI tools comparison for startups 66-2322 AI tools examples for~~
66-1279 business automation strategies for creators 66-531 business
~~66-667 AI tools blueprint for creators 66-2558 AI tools case study~~
hustles for beginners America 66-1643 side hustles for beginners USA
America 66-1813 affiliate marketing for beginners United States 66-457
guide USA 66-1648 startup funding ideas United States 66-2790 startup
~~for small business 66-1363 coding for beginners comparison for startups~~

[for small business 66-2826](#) [machine learning basics for beginners for creators 66-301](#) [travel tips strategies for creators 66-683](#) [travel tips blueprint USA 66-913](#) [startup funding blueprint United States 66-2099](#) [coding for beginners apps for entrepreneurs 66-2140](#) [coding for beginners](#)

Adjusting Sights :

building tech forum 2022 built environment plus - Mar 17 2022

web by sponsoring btf 22 you get at least 5 minutes to share your insights in front of a packed room of green building professionals paired with networking opportunities and high top

how iot is reshaping smart building management systems - Jul 01 2023

web jul 25 2022 building management systems also known as building automation systems have long played an important role in the energy management of many

building management systems forum pdf building - Oct 04 2023

web forum building management systems beyond electronics h t mustafa and p k bansal department of mechanical engineering the university of auckland building

introduction to smart building management system for fm - Mar 29 2023

web may 7 2021 building management system bms also known as building automation system works on cohesive digitalised communication network including communication

lobems iot for building and energy management systems - Jul 21 2022

web jul 8 2019 energy management in the context of the building is a similar system to our proposal but traditionally these energy management systems ems or building

forumlijst beyondgaming - Nov 12 2021

web oct 20 2023 beyondgaming events klasementen onderwerpen 158 berichten 1 3k in progress beyondgaming x champions league ft ea sports fc 24 volzet

building management system phoenix contact - Dec 26 2022

web iot based building management system one platform for all applications with the emalytics building management system we provide you with a platform for all the

[architecture and products beyond3d forum](#) - Dec 14 2021

web jan 5 2023 architecture and products discuss desktop gpu architectures including speculation and released products here

[forum building management systems beyond electronics](#) - Jan 15 2022

web may 28 2023 forum building management systems beyond electronics information and communication technologies for development building automation systems

buildingsmart forums central communications hub for the - Nov 24 2022

web activities projects discussions about all the various activities and projects at buildingsmart international includes proposed activities as well as official projects

eurasian bim forum 2021 istanbul technical university - Feb 13 2022

web jun 1 2021 the forum will form a platform for exchanging academic and industry knowledge and experience on the novel developments in bim tools and technologies and

[forum building management systems beyond electronics](#) - Aug 22 2022

web title forum building management systems beyond electronics subject forum building management systems beyond electronics created date 10 31 2023

[building management system forum for electronics](#) - Jun 19 2022

web mar 17 2010 edaboard com is an international electronics discussion forum focused on eda software circuits schematics books theory papers asic pld 8051 dsp

[the future of smart buildings southeast asia](#) - Aug 02 2023

web sep 24 2020 the future of smart buildings from koonliang september 24 2020 for many years building management systems bms have been installed to control and

[building management systems beyond electronics](#) - May 31 2023

web building management systems bms have come a long way since their introduction in the early 1970s modern systems cost less are faster and more reliable offer more

building management system automation control - Sep 03 2023

web sep 25 2020 dear automation friends my idea for new discussion in list is building management system bms and related topics i am very interested in this area to know

[electronics special issue advancement in smart building](#) - May 19 2022

web apr 3 2020 systems such as home automation systems or energy management systems are providing intelligence to buildings the so called smart building

building management schneider electric singapore - Jan 27 2023

web our innovative flexible and scalable building management and automation solutions work for any size building helping you save energy increase operational efficiency and keep

electronics free full text enhancing building energy - Sep 22 2022

web oct 9 2023 nowadays in contemporary building and energy management systems bemss the predominant approach involves rule based methodologies typically

upgrading a building management system with iot improves user - Apr 29 2023

web oct 18 2021 enhancing building management system efficiency and performance while reimagining the visitor experience the advanced technologies used in the center s bms

modernizing your building management system a simple path to - Apr 17 2022

web a simple path to creating sustainable efficient and cybersecure building operations for today and tomorrow buildings of the future need next generation building

not the same old building automation system solving the - Oct 24 2022

web jul 8 2020 our new white paper 500 three essential elements of next generation building management systems bms which gets into great detail on this subject

the digital hub of connectivity in your building ecoxpert bms - Feb 25 2023

web sep 20 2017 for a few years the awareness that integrated building management systems are the integrated digital hub of the building instead of the it system has

la salute del mio bambino libro red edizioni libreria ibs - Oct 05 2022

web la salute del mio bambino è un libro pubblicato da red edizioni nella collana terapie naturali acquista su ibs a 4 95

loading interface goodreads - Nov 06 2022

web discover and share books you love on goodreads

la salute del mio bambino primo soccorso far fronte alle - Apr 11 2023

web compra la salute del mio bambino primo soccorso far fronte alle emergenze i disturbi e le malattie per conoscerle e collaborare efficacemente con il medico spedizione gratuita su ordini idonei

la salute del mio bambino riconoscere e curare oltre 150 - Sep 16 2023

web scopri la salute del mio bambino riconoscere e curare oltre 150 disturbi di kaye philippa spedizione gratuita per i clienti prime e per ordini a partire da 29 spediti da amazon la salute del mio bambino

la salute del mio bambino riconoscere e curare oltre 150 - Mar 10 2023

web la salute del mio bambino riconoscere e curare oltre 150 disturbi kaye philippa amazon com au books

a chi somiglierà mio figlio la trasmissione genetica - Sep 04 2022

web apr 10 2019 diverso è il discorso riguardo la salute del bambino quasi la sua totalità circa il 99 dipende infatti dal patrimonio genetico che arriva dai genitori alcune malattie sono infatti determinate da singoli geni e possono quindi essere

previste tracciando le regole della trasmissione dei caratteri

istituto per la salute del bambino e dell'adolescente - Jan 08 2023

web sep 28 2016 su queste basi è nato l'istituto bambino gesù per la salute del bambino e dell'adolescente istituto multidisciplinare a vocazione socio sanitaria per la promozione della salute con l'istituto l'ospedale bambino gesù intende gettare un ponte reale e virtuale verso il territorio in cui vivono e operano le famiglie mettendo a disposizione

la salute del bambino libro de vecchi ibs - Apr 30 2022

web la salute del bambino è un libro pubblicato da de vecchi acquista su ibs a 3 73 aggiungi l'articolo in lista aggiungi crea nuova l'articolo è stato aggiunto alla lista dei desideri crea nuova lista lista ibs it l'altro ecommerce

la salute del mio bambino cyberlab sutedu sg - Oct 17 2023

web la salute del mio bambino il mio bebè non piange più consolare e calmare il pianto del proprio bambino dec 07 2020 il mio bambino pesa troppo apr 22 2022 il mio bambino speciale sep 27 2022 il libro del mio bambino feb 01 2023 il diario del mio bambino crescita sviluppo progressi e stato di salute may 04 2023

la salute del mio bambino red edizioni il giardino dei libri - Feb 26 2022

web la salute del mio bambino primo soccorso la cura dei disturbi e delle malattie più comuni 3 recensioni clienti prezzo 4 95 invece di 9 90 sconto 50 con questo prodotto hai la spedizione gratuita momentaneamente non disponibile già edito con il titolo enciclopedia del bambino

la salute del mio bambino by aa vv orientation sutedu sg - Jul 02 2022

web la dimensione del mio bambino lo smartphone e la salute del mio bambino e portarsi la salute del mio bambino il primo soccorso di autori è possibile migliorare la salute del bambino con l'istituto del bambino ecosophia

il nutrizionista infantile un professionista per la salute del tuo bambino - Feb 09 2023

web magari ti stai proprio chiedendo se il pediatra può davvero aiutarti a capire quale sia l'alimentazione migliore per lui e penso che questo riguardi tutti i genitori a maggior ragione se il tuo bimbo dovesse soffrire di problematiche specifiche come inappetenza intolleranze allergie oppure obesità infantile

il sorriso del mio bambino - Mar 30 2022

web il sorriso del mio bambino È ora di prevenire il sorriso del mio bambino qui troverai tutte le informazioni per mantenere in salute la bocca del tuo bambino e non solo il sorriso del mio bambino un team di professionisti sta lavorando per voi ogni settimana un articolo nuovo pensato per voi genitori il sorriso del mio bambino non tutto quello che

tecalibri aa vv la salute del mio bambino - Jul 14 2023

web aa vv la salute del mio bambino tecalibri it indice 5 premessa da leggere attentamente 7 primo soccorso 9 primo soccorso una capacità che è doveroso apprendere 10 le tecniche di rianimazione 15 asfissia da annegamento 16 asfissia da

soffocamento 18 avvelenamento da sostanze tossiche e corrosive 20 colpo di calore e

traduzione di la salute del mio bambino in inglese reverso - Aug 03 2022

web traduzioni in contesto per la salute del mio bambino in italiano inglese da reverso context sto lavorando sui programmi per la salute del mio bambino al momento

bambino miobambino it - Dec 07 2022

web il più interessante sito dedicato ai genitori articoli ed informazioni professionali riguardo lo sviluppo la crescita la cura e la salute dei bambini forum l angolo dei bambini con le idee per passare il tempo libero in modo attivo

amico pediatra bimbi sani genitori sereni - Jun 13 2023

web sep 25 2023 dieta mediterranea perché è la più salutare per i bambini e gli adulti svezzamento le tappe dell alimentazione da 0 a 12 mesi svezzamento sicuro le domande più frequenti delle mamme e dei papà le risposte del pediatra alimenti allergizzanti quando introdurli nella dieta del bambino svezzamento e rischio

screening neonatale per la salute del tuo bambino new york - May 12 2023

web per la salute del tuo bambino department of health perché mio figlio viene sottoposto ad esami per essere sicuri che le sue condizioni di salute siano le migliori possibili l esame del sangue che offre una serie di informazioni importanti sulla salute del tuo bambino spesso è l unico modo per venire a conoscenza di questi dati e

la salute del mio bambino 2022 stage gapinc - Jun 01 2022

web il mio bambino pesa troppo salute e nascita la salutogenesi in gravidanza la nostra vita con ezio e ricordi di guerra i martiri della serbia racconto storico del secolo xix il dio bambino la salute del mio bambino downloaded from stage gapinc com by guest burgess maximillian la salute del mio bambino riconoscere e curare oltre 150

la salute del mio bambino primo soccorso far fronte alle - Aug 15 2023

web la salute del mio bambino primo soccorso far fronte alle emergenze i disturbi e le malattie per conoscerle e collaborare efficacemente con il medico è un libro pubblicato da red edizioni nella collana economici di qualità acquista su ibs a 8 00

mont blanc escalades choisies decitre - Nov 29 2022

web jun 17 2020 les massifs du mont blanc des aiguilles rouges des bornes et des aravis ainsi que le paretonne en italie ou le miroir d argentine en suisse sont de formidables terrains de jeu pour les grimpeurs les auteurs proposent plus de 100 voies plaisir dans un niveau accessible au plus grand nombre

climbing guidebook escalades choisies mont blanc - Aug 27 2022

web aiguilles de chamonix aiguille du midi aiguille du tour aiguilles rouge mont blanc ailefroide bavella corsica belledonne escalade cap de long néouvielle et

escalades choisies mont blanc aiguilles rouges Éditions glénat - Oct 09 2023

web apr 22 2009 au cœur du massif du mont blanc ou dans les aiguilles rouges voici le meilleur de ce terrain de jeu avec des critères de sélection hédonistes beauté des sites variété de style et de rocher grimpe à la journée sur des voies n excédant pas 300 m approche et descente aisées notamment lorsqu elles empruntent un glacier pas

escalades choisies mont blanc aiguilles rouges book - May 24 2022

web escalades choisies mont blanc aiguilles rouges selected climbs mont blanc the aiguilles rouges apr 17 2023 mont blanc and the aiguilles etc with maps dec 01 2021 mont blanc range compiled by griffin l n chamonix aiguilles rochefort jorasses leschaux sep 29 2021 on the geological relations of the secondary and

mont blanc escalades choisies aiguilles rouges fnac - May 04 2023

web jun 17 2020 les massifs du mont blanc des aiguilles rouges des bornes et des aravis ainsi que les versants suisse ou italien du mont blanc sont le meilleur des terrains de jeu au niveau de l escalade rocheuse attirant toujours plus

escalades choisies mont blanc aiguilles rouges 60 routes 4 to - Jul 06 2023

web aiguilles rouges 33 frison roche td 6a 983 aiguilles rouges 34 la somone d 5b 433 aiguilles rouges 35 crakoukass d 6a 416 240m 8 aiguilles rouges 36 cocher cochon td 6a 431 250m 8 aiguilles rouges 37 l an d emile td 34 aiguilles rouges 38 brunat perroux d 5c 336 250m 8 aiguilles

pdf escalades choisies mont blanc aiguilles rouges - Oct 29 2022

web swiss val ferret mont blanc and the aiguilles rouges a guide for skiers aug 25 2022 discover the skiing downhills of the swiss val ferret mountain in this very detailed and documented

escalades choisies mont blanc aiguilles rouges 60 routes 4 to - Dec 31 2022

web saved content photo galleries my photo gallery latest photos weekly top 10 videos

mont blanc escalades choisies aiguilles rouges préalpes suisse - Sep 27 2022

web les massifs du mont blanc des aiguilles rouges des bornes et des aravis ainsi que les versants suisse ou italien du mont blanc sont le meilleur des terrains de jeu au niveau de l escalade rocheuse attirant toujours plus de passionnés du monde entier

escalades choisies mont blanc aiguilles rouges - Feb 18 2022

web escalades choisies mont blanc aiguilles rouges glenant les aiguilles rouges thomas dulac and godefroy perroux escalades choisies mont blanc aiguilles rouges 40 voies buy escalades choisies mont blanc aiguilles rouges 40 voies plaisir de niveau 4 à 6a by laroche jean louis lelong florence isbn 9782723462105 from amazon 39 s book

topo d escalade les aiguilles rouges escalade au soleil - Mar 22 2022

web climbingaway c est un site web et 2 applications smartphone dédiés à l escalade en pleine nature l objectif étant le partage d informations pour organiser une sortie un weekend un voyage plus de 7000 sites d escalade sont répertoriés avec

leurs topos papier associés et des topos numérique pour smartphones ca recense des informations concernant les

escalades choisies mont blanc aiguilles rouges 40 voies plaisir - Apr 03 2023

web noté 5 retrouvez escalades choisies mont blanc aiguilles rouges 40 voies plaisir de niveau 4 à 6a et des millions de livres en stock sur amazon fr achetez neuf ou d occasion

escalades choisies mont blanc aiguilles rouges 60 routes 4 to - Feb 01 2023

web aug 1 2023 saved content photo galleries my photo gallery latest photos weekly top 10 top 200 photos

escalades choisies mont blanc aiguilles rouges fnac - Jun 05 2023

web 40 voies plaisir de niveau 4 à 6a escalades choisies mont blanc aiguilles rouges jean louis laroche florence lelong glénat des milliers de livres avec la livraison chez vous en 1 jour ou en magasin avec 5 de réduction

escalades choisies mont blanc aiguilles rouges - Mar 02 2023

web fnac 40 voies plaisir de niveau 4 à 6a escalades choisies mont blanc aiguilles rouges jean louis laroche florence lelong glénat livraison chez vous ou en magasin et 5 sur tous les livres achetez neuf ou d occasion

mont blanc aiguilles rouges escalades choisies - Sep 08 2023

web 40 voies plaisir de niveau 4 à 6a dans le massif du mont blanc et des aiguilles rouges au cœur du massif du mont blanc ou dans les aiguilles rouges voici le meilleur de ce terrain de jeu avec des critères de sélection hédonistes beauté des sites variété de style et de rocher grimpe à la journée sur des voies n excédant pas

escalades choisies mont blanc aiguilles rouges cultura - Jul 26 2022

web escalades choisies mont blanc aiguilles rouges aux éditions glenat au cœur du massif du mont blanc ou dans les aiguilles rouges voici le meilleur de ce terrain de jeu avec des critères de sélection hédonistes beauté des si

selected climbs mont blanc and the aiguilles rouges sample - Apr 22 2022

web apr 9 2015 written by local climbers jean louis laroche and florence lelong this selection of sixty climbs on forty summits in seventeen areas around the chamonix valley features established classics and

mont blanc escalades choisies Éditions glénat - Aug 07 2023

web jun 17 2020 les massifs du mont blanc des aiguilles rouges des bornes et des aravis ainsi que les versants suisse ou italien du mont blanc sont le meilleur des terrains de jeu au niveau de l escalade rocheuse attirant toujours plus

massif du mont blanc et aiguilles rouges escalade montagne - Jun 24 2022

web topo guide mont blanc granite tome 3 de françois damilano julien désécures et louis laurent massif des aiguilles rouges situé juste au dessus de chamonix face au massif du mont blanc le massif des aiguilles rouges offre de nombreuses escalades en grandes voies équipées ou traditionnelles