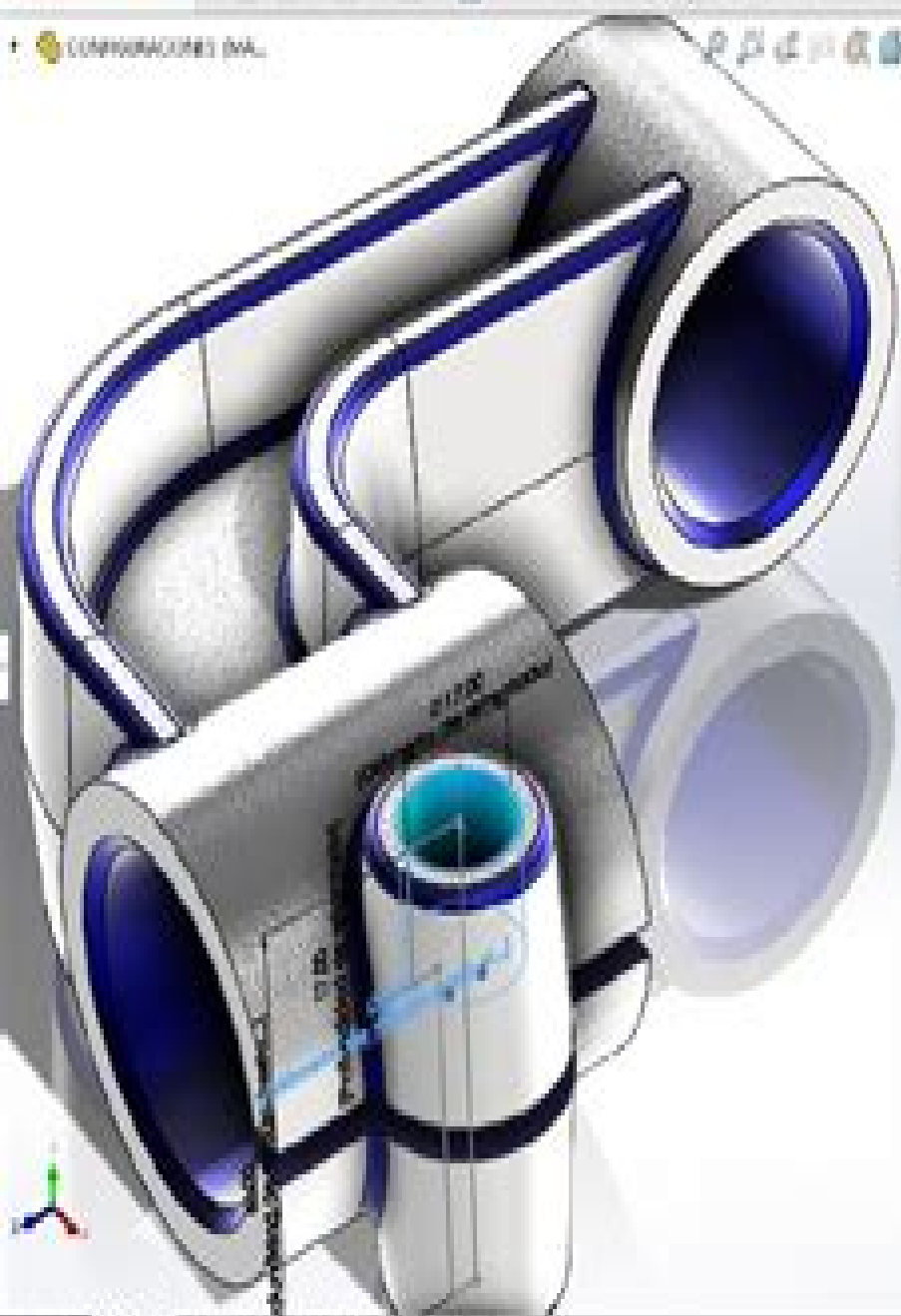


# CSWP!!

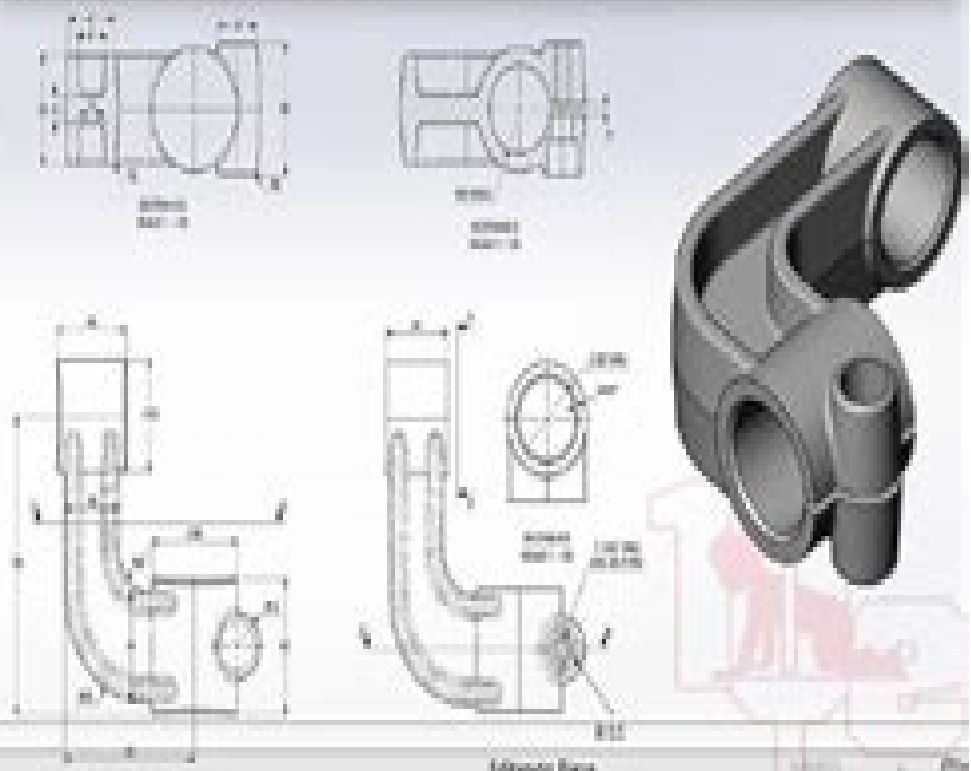


Modificar configuraciones

Configuración	Estado
Nombre	Aluminio de un solo lado en aluminio
Propiedades	1.00mm
RECOMENDADO	1.00mm

Actualizar Configuración

Cancelar OK Ayuda



# Advanced Solidworks Cswp

**Huangqi Zhang**



## **Advanced Solidworks Cswp:**

As recognized, adventure as well as experience practically lesson, amusement, as with ease as bargain can be gotten by just checking out a ebook **Advanced Solidworks Cswp** as a consequence it is not directly done, you could resign yourself to even more as regards this life, nearly the world.

We have the funds for you this proper as well as easy way to get those all. We present Advanced Solidworks Cswp and numerous books collections from fictions to scientific research in any way. in the middle of them is this Advanced Solidworks Cswp that can be your partner.

[https://py.bijouxmedusa.com/files/book-search/HomePages/Focus\\_Economics\\_Grade\\_12\\_Caps\\_Teachers\\_Guide.pdf](https://py.bijouxmedusa.com/files/book-search/HomePages/Focus_Economics_Grade_12_Caps_Teachers_Guide.pdf)

## **Table of Contents Advanced Solidworks Cswp**

1. Understanding the eBook Advanced Solidworks Cswp
  - The Rise of Digital Reading Advanced Solidworks Cswp
  - Advantages of eBooks Over Traditional Books
2. Identifying Advanced Solidworks Cswp
  - Exploring Different Genres
  - Considering Fiction vs. Non-Fiction
  - Determining Your Reading Goals
3. Choosing the Right eBook Platform
  - Popular eBook Platforms
  - Features to Look for in an Advanced Solidworks Cswp
  - User-Friendly Interface
4. Exploring eBook Recommendations from Advanced Solidworks Cswp
  - Personalized Recommendations
  - Advanced Solidworks Cswp User Reviews and Ratings
  - Advanced Solidworks Cswp and Bestseller Lists
5. Accessing Advanced Solidworks Cswp Free and Paid eBooks

- Advanced Solidworks Cswp Public Domain eBooks
  - Advanced Solidworks Cswp eBook Subscription Services
  - Advanced Solidworks Cswp Budget-Friendly Options
6. Navigating Advanced Solidworks Cswp eBook Formats
- ePub, PDF, MOBI, and More
  - Advanced Solidworks Cswp Compatibility with Devices
  - Advanced Solidworks Cswp Enhanced eBook Features
7. Enhancing Your Reading Experience
- Adjustable Fonts and Text Sizes of Advanced Solidworks Cswp
  - Highlighting and Note-Taking Advanced Solidworks Cswp
  - Interactive Elements Advanced Solidworks Cswp
8. Staying Engaged with Advanced Solidworks Cswp
- Joining Online Reading Communities
  - Participating in Virtual Book Clubs
  - Following Authors and Publishers Advanced Solidworks Cswp
9. Balancing eBooks and Physical Books Advanced Solidworks Cswp
- Benefits of a Digital Library
  - Creating a Diverse Reading Collection Advanced Solidworks Cswp
10. Overcoming Reading Challenges
- Dealing with Digital Eye Strain
  - Minimizing Distractions
  - Managing Screen Time
11. Cultivating a Reading Routine Advanced Solidworks Cswp
- Setting Reading Goals Advanced Solidworks Cswp
  - Carving Out Dedicated Reading Time
12. Sourcing Reliable Information of Advanced Solidworks Cswp
- Fact-Checking eBook Content of Advanced Solidworks Cswp
  - Distinguishing Credible Sources
13. Promoting Lifelong Learning
- Utilizing eBooks for Skill Development

- Exploring Educational eBooks
14. Embracing eBook Trends
- Integration of Multimedia Elements
  - Interactive and Gamified eBooks

### **Advanced Solidworks Cswp Introduction**

Free PDF Books and Manuals for Download: Unlocking Knowledge at Your Fingertips In today's fast-paced digital age, obtaining valuable knowledge has become easier than ever. Thanks to the internet, a vast array of books and manuals are now available for free download in PDF format. Whether you are a student, professional, or simply an avid reader, this treasure trove of downloadable resources offers a wealth of information, conveniently accessible anytime, anywhere. The advent of online libraries and platforms dedicated to sharing knowledge has revolutionized the way we consume information. No longer confined to physical libraries or bookstores, readers can now access an extensive collection of digital books and manuals with just a few clicks. These resources, available in PDF, Microsoft Word, and PowerPoint formats, cater to a wide range of interests, including literature, technology, science, history, and much more. One notable platform where you can explore and download free Advanced Solidworks Cswp PDF books and manuals is the internet's largest free library. Hosted online, this catalog compiles a vast assortment of documents, making it a veritable goldmine of knowledge. With its easy-to-use website interface and customizable PDF generator, this platform offers a user-friendly experience, allowing individuals to effortlessly navigate and access the information they seek. The availability of free PDF books and manuals on this platform demonstrates its commitment to democratizing education and empowering individuals with the tools needed to succeed in their chosen fields. It allows anyone, regardless of their background or financial limitations, to expand their horizons and gain insights from experts in various disciplines. One of the most significant advantages of downloading PDF books and manuals lies in their portability. Unlike physical copies, digital books can be stored and carried on a single device, such as a tablet or smartphone, saving valuable space and weight. This convenience makes it possible for readers to have their entire library at their fingertips, whether they are commuting, traveling, or simply enjoying a lazy afternoon at home. Additionally, digital files are easily searchable, enabling readers to locate specific information within seconds. With a few keystrokes, users can search for keywords, topics, or phrases, making research and finding relevant information a breeze. This efficiency saves time and effort, streamlining the learning process and allowing individuals to focus on extracting the information they need. Furthermore, the availability of free PDF books and manuals fosters a culture of continuous learning. By removing financial barriers, more people can access educational resources and pursue lifelong learning, contributing to personal growth and professional development. This democratization of knowledge promotes intellectual curiosity and empowers

individuals to become lifelong learners, promoting progress and innovation in various fields. It is worth noting that while accessing free Advanced Solidworks Cswp PDF books and manuals is convenient and cost-effective, it is vital to respect copyright laws and intellectual property rights. Platforms offering free downloads often operate within legal boundaries, ensuring that the materials they provide are either in the public domain or authorized for distribution. By adhering to copyright laws, users can enjoy the benefits of free access to knowledge while supporting the authors and publishers who make these resources available. In conclusion, the availability of Advanced Solidworks Cswp free PDF books and manuals for download has revolutionized the way we access and consume knowledge. With just a few clicks, individuals can explore a vast collection of resources across different disciplines, all free of charge. This accessibility empowers individuals to become lifelong learners, contributing to personal growth, professional development, and the advancement of society as a whole. So why not unlock a world of knowledge today? Start exploring the vast sea of free PDF books and manuals waiting to be discovered right at your fingertips.

### FAQs About Advanced Solidworks Cswp Books

**What is a Advanced Solidworks Cswp PDF?** A PDF (Portable Document Format) is a file format developed by Adobe that preserves the layout and formatting of a document, regardless of the software, hardware, or operating system used to view or print it. **How do I create a Advanced Solidworks Cswp PDF?** There are several ways to create a PDF: Use software like Adobe Acrobat, Microsoft Word, or Google Docs, which often have built-in PDF creation tools. Print to PDF: Many applications and operating systems have a "Print to PDF" option that allows you to save a document as a PDF file instead of printing it on paper. Online converters: There are various online tools that can convert different file types to PDF. **How do I edit a Advanced Solidworks Cswp PDF?** Editing a PDF can be done with software like Adobe Acrobat, which allows direct editing of text, images, and other elements within the PDF. Some free tools, like PDFescape or Smallpdf, also offer basic editing capabilities. **How do I convert a Advanced Solidworks Cswp PDF to another file format?** There are multiple ways to convert a PDF to another format: Use online converters like Smallpdf, Zamzar, or Adobe Acrobats export feature to convert PDFs to formats like Word, Excel, JPEG, etc. Software like Adobe Acrobat, Microsoft Word, or other PDF editors may have options to export or save PDFs in different formats. **How do I password-protect a Advanced Solidworks Cswp PDF?** Most PDF editing software allows you to add password protection. In Adobe Acrobat, for instance, you can go to "File" -> "Properties" -> "Security" to set a password to restrict access or editing capabilities. Are there any free alternatives to Adobe Acrobat for working with PDFs? Yes, there are many free alternatives for working with PDFs, such as: LibreOffice: Offers PDF editing features. PDFsam: Allows splitting, merging, and editing PDFs. Foxit Reader: Provides basic PDF viewing and

editing capabilities. How do I compress a PDF file? You can use online tools like Smallpdf, ILovePDF, or desktop software like Adobe Acrobat to compress PDF files without significant quality loss. Compression reduces the file size, making it easier to share and download. Can I fill out forms in a PDF file? Yes, most PDF viewers/editors like Adobe Acrobat, Preview (on Mac), or various online tools allow you to fill out forms in PDF files by selecting text fields and entering information. Are there any restrictions when working with PDFs? Some PDFs might have restrictions set by their creator, such as password protection, editing restrictions, or print restrictions. Breaking these restrictions might require specific software or tools, which may or may not be legal depending on the circumstances and local laws.

### **Find Advanced Solidworks Cswp :**

[focus economics grade 12 caps teachers guide](#)

**flygt pump wet well design guide rails**

~~flute how great thou art printable sheet music~~

**flying home other stories 1st edition**

**first discussion starters speaking fluency activities for lower level eslefl students american english by keith s**

**folsø 31 mar 2003 paperback**

**financial accounting harrison horn gren thomas 9th edition**

**fixed income markets their derivatives third edition**

[ford ranger px wiring diagram](#)

**fashion logistics insights into the fashion retail supply chain**

[fermec mf 860](#)

**firefighting and fire prevention usbr**

[financial accounting 7th edition weygandt](#)

~~financial engineering by lawrence galitz~~

**fire magazine read fire malayalam magazine online**

**fl singer engineering mechanics solutions**

### **Advanced Solidworks Cswp :**

**bryllantini al polo nord ebook by monica zanettin rakuten kobo** - Jan 27 2023

web read bryllantini al polo nord by monica zanettin available from rakuten kobo bryllantini è una ragazzina ricca capricciosa

e un po dispettosa che vive a parigi in  
[interactivearchivist archivists org](#) - Oct 24 2022

web interactivearchivist archivists org

**bryllantini al polo nord zanettin monica libreria ibs** - Nov 24 2022

web bryllantini al polo nord è un ebook di zanettin monica pubblicato da giovane holden edizioni a 5 99 il file è in formato epub con light drm risparmia online con le offerte ibs

**aydınlı grup u s polo assn aydinli** - Jan 15 2022

web günümüzde amerika da 300 kadar polo kulübü ve 3000 den fazla polo oyuncusu bulunuyor dünyanın dört bir yanından polo sporcuları değişik sezonlarda bir araya

**bryllantini al polo nord zapmap nissan co uk** - Sep 22 2022

web geografia fisica tr di e pepoli routledge jean luc godard like many of his european contemporaries came to filmmaking through film criticism this collection of essays and

**bryllantini al polo nord by monica zanettin goodreads** - Sep 03 2023

web bryllantini è una ragazzina ricca capricciosa e un po dispettosa che vive a parigi in una lussuosa residenza in compagnia dei genitori e di un maggiordomo quando il padre

*bryllantini al polo nord help environment harvard edu* - Feb 13 2022

web now is bryllantini al polo nord below glitter assassino lonny walker 2022 10 14 glitter assassino il male che si concentra entro i confini di un paesotto della provincia sembra

**bryllantini al polo nord italian edition kindle edition** - Feb 25 2023

web bryllantini al polo nord italian edition ebook monica zanettin manicardi p amazon com au kindle store

**bryllantini al polo nord pqr uiaf gov co** - Apr 17 2022

web bryllantini al polo nord below the new cool neal bascomb 2011 a report on genius inventor dean kaman s first program follows a team of brilliant misfit high school

[bryllantini al polo nord by monica zanettin is available in these](#) - Dec 26 2022

web bryllantini è una ragazzina ricca capricciosa e un po dispettosa che vive a parigi in una lussuosa residenza in compagnia dei genitori e di un maggiordomo quando il padre

[bryllantini al polo nord by monica zanettin overdrive](#) - Jul 01 2023

web apr 1 2018 bryllantini è una ragazzina ricca capricciosa e un po dispettosa che vive a parigi in una lussuosa residenza in compagnia dei genitori e di un

[bryllantini al polo nord publicaties sodexo nl](#) - May 31 2023

web pages of *bryllantini al polo nord* a mesmerizing literary creation penned with a celebrated wordsmith readers attempt an enlightening odyssey unraveling the intricate

*amazon com bryllantini al polo nord 9788832921632 books* - Aug 22 2022

web amazon com *bryllantini al polo nord 9788832921632 books* skip to main content us delivering to lebanon 66952 choose location for most accurate options books select

*bryllantini al polo nord brabantmagazines nl* - Oct 04 2023

web unveiling the power of verbal artistry an mental sojourn through *bryllantini al polo nord* in a world inundated with monitors and the cacophony of instant interaction the profound

***bryllantini al polo nord by monica zanettin barnes noble*** - Mar 29 2023

web apr 1 2018 *bryllantini è una ragazzina ricca capricciosa e un po dispettosa che vive a parigi in una lussuosa residenza in compagnia dei genitori e di*

***avrupa birliđi nin polonya ve macaristan sancıları İnsamer*** - May 19 2022

web nov 16 2018 *yaptırım kararı için oy birliđi nin zaruri olduđunun farkında olan polonya ve macaristan ab zirvesi deki oylamada ellerindeki veto hakkıyla birbirlerini*

*bryllantini al polo nord by monica zanettin p manicardi* - Jun 19 2022

web sep 15 2023 *tantilibriperte bryllantini al polo nord zanettin con bryllantini al polo nord ospite ai venerdì bryllantini al polo nord co uk zanettin monica cold fish*

***bryllantini al polo nord paperback 10 april 2018 amazon com au*** - Apr 29 2023

web *bryllantini al polo nord zanettin monica manicardi paola amazon com au books*

*bryllantini al polo nord on apple books* - Aug 02 2023

web mar 31 2018 *bryllantini è una ragazzina ricca capricciosa e un po dispettosa che vive a parigi in una lussuosa residenza in compagnia dei genitori e di un maggiordomo*

***bryllantini al polo nord grad learntotrade co uk*** - Mar 17 2022

web *bryllantini al polo nord 3 3 nutritionally balanced food and achieve sustainable long term weight loss whilst positively impacting your cycling performance a follow up to alan s*

*bryllantini al polo nord by monica zanettin misscosplay biz* - Jul 21 2022

web *bryllantini è una ragazzina ricca capricciosa e un po dispettosa che vive a parigi in una lussuosa residenza in compagnia dei genitori e di un maggiordomo quando il padre*

***exam 1 study guide human anatomy and*** - Oct 04 2022

web test and improve your knowledge of biology 105 anatomy physiology with fun multiple choice exams you can take online

with study com

[biology 2011 anatomy physiology i with lab final exam](#) - Dec 06 2022

web the study of internal structures of the body by means of x ray images molecular biology the study of the structure of biological molecules that provide the fundamental link between

[anatomy physiology i biol 2301 hcc learning web](#) - Jan 07 2023

web test and improve your knowledge of biology 2011 anatomy physiology i with lab with fun multiple choice exams you can take online with study com

[biology 105 anatomy physiology final exam study com](#) - Jul 01 2022

web regional anatomy subdivision of gross anatomy concerns all the structures muscles bones blood vessels nerves etc in a particular region of the body such as the

[anatomy physiology i exam 1 lecture flashcards quizlet](#) - Mar 09 2023

web physiology study of function cellular energy requires the body s production of atp glucose is the necessary fuel for the brain heart cells contract on their own b c of

[human anatomy and physiology i biol 1103 douglas college](#) - Nov 24 2021

**biology 2401 lecture exam 1 flashcards quizlet** - May 31 2022

web this is the first part of a two semester course it covers the anatomy and physiology of the cell tissues integumentary skeletal muscular and nervous systems prerequisites bio

[anatomy and physiology chapter 1 flashcards quizlet](#) - Sep 03 2022

web what is the relationship between anatomy and physiology changing the structure of something will alter the functions and vice versa starting with the simplest or smallest

**anatomy physiology assessment testing services austin** - Jan 27 2022

web students wishing to take biol 2401 anatomy physiology i a p i must first pass an assessment test with a 70 or higher before they are allowed to enroll in the course if a

**anatomy and physiology 1 exam 1 flashcards quizlet** - Jul 13 2023

web studies the function of the body how the body parts work and carry out their life sustaining activities gross or macroscopic anatomy study the anatomical structures that can be

[anatomy and physiology unit 1 exam flashcards quizlet](#) - May 11 2023

web study with quizlet and memorize flashcards containing terms like anatomy definition physiology definition what are two examples of positive feedback and rapid change in

exam 1 with answer key anatomy and physiology i - Apr 10 2023

web study with quizlet and memorize flashcards containing terms like anatomy physiology gross macroscopic and more fresh features from the 1 ai enhanced learning

**anatomy and physiology i bio 2311 syllabus city tech** - Feb 25 2022

web this course is an introduction to the study of anatomy and physiology of humans cell biology and the biochemistry of cells are examined and the levels of organization in the

**exam 1 study guide biol 2401 anatomy and physiology i** - Aug 02 2022

web home resources available in the slc biology web resources chemistry web resources workshops events ss anatomy and physiology i bio 2401 practice quizzes and tests

*anatomy physiology i practice test questions final exam* - Aug 14 2023

web test and improve your knowledge of anatomy physiology i with fun multiple choice exams you can take online with study com

biol 2301 anatomy and physiology 1 unt chapter 1 quizlet - Mar 29 2022

web sep 26 2011 class biol 2010 human anatomy and physiology i subject biology mtsu and rodp university middle tennessee state university term fall term

**exam 1 study guide exam 1 study guide chapter 1** - Nov 05 2022

web learning outcomes i an overview of anatomy and physiology b the interrelationship between anatomy and physiology 1 give examples to show the interrelationship

*biol 2401 anatomy physiology 1 flashcards quizlet* - Feb 08 2023

web instructor ndu dikeocha anatomy and physiology i is the first part of a two course sequence it is a study of the structure and function of the human body including cells

**anatomy and physiology i exam i chapters 1 2 3 4 practice** - Jun 12 2023

web anatomy and physiology i exam i chapters 1 2 3 4 practice questions biol 10100 studocu exam 1 chapters 1 4 sample questions multiple choice first few are easy but

*anatomy and physiology 1 exam 1 biol 2010 docsity* - Dec 26 2021

web articulate the anatomical and physiologic features of cells and tissues including basic genetic and inheritance concepts demonstrate knowledge of biology as it pertains to

**department of biological sciences biosci 202 anatomy and** - Sep 22 2021

**general information acc biology department austincc edu** - Oct 24 2021

*bio 2401 practice quizzes and tests tcc se science* - Apr 29 2022

web the anatomy physiology i assessment measures whether you have the anatomy and chemistry background required for biol 2401 test fees the fee to take the anatomy

*pdf the practice of simulation based assessment in respiratory* - May 11 2023

web feb 1 2017 clinical simulation has gained prominence as an educational approach in many canadian respiratory therapy programs and is strongly associated with improved

*simulation use in entry into practice respiratory care programs* - Mar 29 2022

web feb 15 2022 methods all 412 commission on accreditation for respiratory care coarc accredited entry into practice respiratory care programs were e mailed a

**medical simulation in respiratory and critical care medicine** - Sep 03 2022

web dec 1 2010 this review provides the reader with a perspective on simulation specific to respiratory and critical care medicine including an overview of historical and modern

*respiratory software clinical simulation examination c s* - Feb 25 2022

web self evaluation clinical simulation examination iii the self evaluation clinical simulation examinations feature the following format closely follows the actual

**case studies and clinical simulations for respiratory care retail** - Jan 27 2022

web description prepare for success on the nbrc exam with a complete review and test taking practice case studies and clinical simulations for respiratory care 2nd edition

*free download clinical simulations in respiratory care pdf* - Apr 29 2022

web download clinical simulations in respiratory care pdf workbook for pilbeam s mechanical ventilation e book feb 21 2020 prepare for your credentialing exams it

*how to prepare for and pass the clinical simulations* - Mar 09 2023

web feb 15 2023 you must pass the clinical simulations exam within three years after graduating for a coarc accredited respiratory therapy program if you do not pass it

**download clinical simulations in respiratory care pdf** - Jan 07 2023

web comprehensive healthcare simulation anesthesiology teaching pearls in noninvasive mechanical ventilation clinical engineering handbook egan s fundamentals of

**case studies and clinical simulations for respiratory** - Aug 14 2023

web sep 2 2021 this review consists of 14 patient management cases linked with 14 clinical simulations allowing you to select a case study and work through the simulation as if it

**clinical simulations in respiratory care download only** - Nov 05 2022

web mar 22 2023 clinical simulations in respiratory care beckham 1983 10 01 the comprehensive respiratory therapist exam review e book james r sills 2009 12

*respiratory medicine and respiratory therapy manual of* - Jul 13 2023

web patient simulation provides opportunities for teaching and assessing a variety of clinical skills associated with respiratory function and patient care no single patient simulator

**downloadclinicalsimulationsinrespiratorycarepdf pdf** - Sep 22 2021

web clinical simulations for the advanced practice nurse icd 10 cm official guidelines for coding and reporting fy 2021 october 1 2020 september 30 2021 strengthening

*download clinical simulations in respiratory care pdf* - Dec 06 2022

web download clinical simulations in respiratory care pdf emergency medical science mict ems lt johnson county may 10th 2018 ems 128 ems first responder 5 hours

**simulation use in entry into practice respiratory care programs** - Dec 26 2021

web simulation hours may not be substituted for learner s clinical time under coarc guidelines and 69 of respondents agreed with this stance however 66 of

**respiratory care simtics** - Apr 10 2023

web with the unique simtics simulations students can learn and practice the key skills that a respiratory care therapist performs in a hospital or clinic prepare for labs and

*clinical simulations for respiratory care* - Feb 08 2023

web neurologic and psychiatric complications cause significant postoperative morbidity after open heart surgery thisbook contains 41papers from a 1982 conference while the

*case studies and clinical simulations for respiratory care* - Jul 01 2022

web feb 27 2013 case studies and clinical simulations for respiratory care 1st edition give students the most comprehensive and realistic review for the difficult clinical

**clinical simulations in respiratory care amazon com** - Nov 24 2021

web jan 1 1999 cd rom includes ten simulations that can be explored at three levels of difficulty format is similar to the nbrc rrt exam ability to print out a score report that

*clinical simulation based assessment in respiratory therapy* - Oct 24 2021

web jul 9 2017 pdf the manuscripts that comprise this dissertation collectively investigate clinical simulation based assessment in respiratory therapy education find read

*clinical simulations for respiratory care* - Jun 12 2023

web the clinical simulations deal with the management of acute and chronic respiratory failure due to a variety of causes ranging from copd to acute lung injury in this type of

*case studies clinical simulations for respiratory care access* - Oct 04 2022

web feb 27 2013 case studies and clinical simulations for respiratory care 1st edition give students the most comprehensive and realistic review for the difficult clinical

**the practice of simulation based assessment in respiratory** - Aug 02 2022

web feb 1 2017 in response to emerging concerns over patient safety in healthcare systems clinical simulation has been identified as an educational tool that enables learning

**download clinical simulations in respiratory care pdf** - May 31 2022

web aug 5 2023 download clinical simulations in respiratory care pdf martindale s veterinary center clinical medicine courses adolescent overweight and future adult