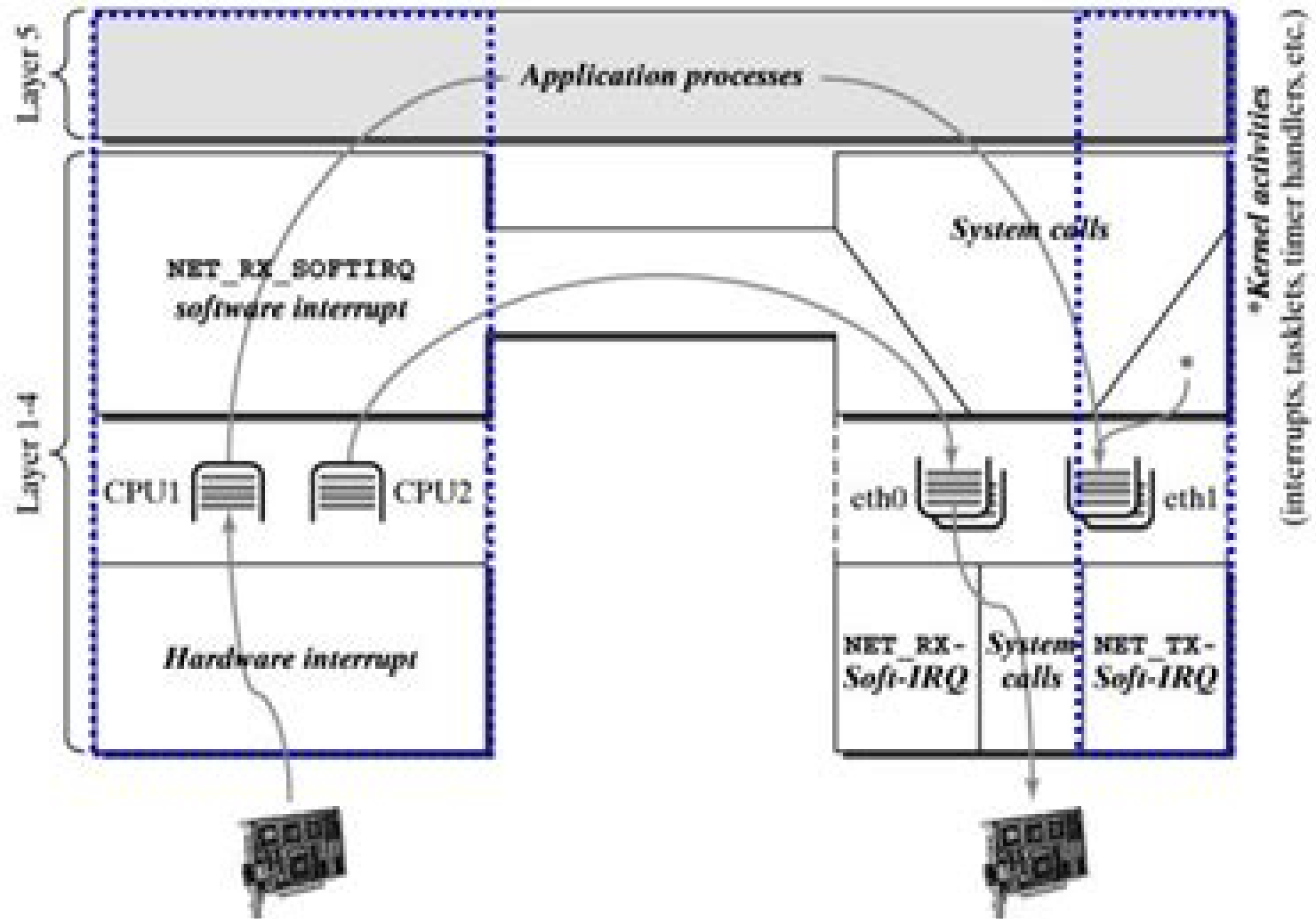


Linux Network Activity



Advanced Linux Networking

Lei Huang



Advanced Linux Networking:

Advanced Linux Networking Roderick W. Smith, 2002 Advanced Linux Networking is designed to help users achieve a higher level of competence It focuses on powerful techniques and features of Linux networking and provides the know how needed to improve server efficiency enhance security and adapt to new requirements [Advanced Guide to Linux Networking and Security](#) Ed Sawicki, Nicholas Wells, 2006 Linux is the fastest growing operating system As the number of companies implementing Linux increases so too does the rapidly developing need for skilled users developers and administrators Advanced Guide to Linux Networking and Security was especially designed for individuals who want to move beyond just the basics of Linux installation and administration into a broader study of the many security issues surrounding this operating system With its comprehensive Linux security coverage this text can fit into any Linux Security course and is intended to follow the Complete Guide to Linux System Administration by Nick Wells *Network Programmability and Automation* Jason Edelman, Scott S. Lowe, Matt Oswalt, 2018-02-02 This practical guide shows network engineers how to use a range of technologies and tools including Linux Python JSON and XML to automate their systems through code This book will help you simplify tasks involved in configuring managing and operating network equipment topologies services and connectivity Page 4 of cover [Linux Advanced Routing and Traffic Control HOWTO](#) Gregory Maxwell, Remco Mook, Martijn Oosterhout, Paul Schroeder, Jasper Spaans, Bert Hubert, 2019-11-06 Summary This classic howto was written in 2002 but it is still a must read howto for any Linux networking professionals today Many practical examples are included in the book It is a very hands on approach to iproute2 traffic shaping policy routing and a bit of netfilter This is a book you should have on your bookshelf Table of Contents Dedication Introduction Introduction to iproute2 Rules routing policy database GRE and other tunnels IPv6 tunneling with Cisco and or 6bone IPsec secure IP over the internet Multicast routing Queueing Disciplines for Bandwidth Management Load sharing over multiple interfaces Netfilter iproute marking packets Advanced filters for re classifying packets Kernel network parameters Advanced less common queueing disciplines Cookbook Building bridges and pseudo bridges with Proxy ARP Dynamic routing OSPF and BGP Other possibilities Further reading Acknowledgements

Network Programmability and Automation Matt Oswalt, Christian Adell, Scott S. Lowe, Jason Edelman, 2022-06-23 Network engineers are finding it harder than ever to rely solely on manual processes to get their jobs done New protocols technologies delivery models and the need for businesses to become more agile and flexible have made network automation essential The updated second edition of this practical guide shows network engineers how to use a range of technologies and tools including Linux Python APIs and Git to automate systems through code This edition also includes brand new topics such as network development environments cloud programming with Go and a reference network automation architecture Network Programmability and Automation will help you automate tasks involved in configuring managing and operating network equipment topologies services and connectivity Through the course of the book you ll learn the basic skills and tools

you need to make this critical transition You ll learn Programming skills with Python and Go data types conditionals loops functions and more New Linux based networking technologies and cloud native environments and how to use them to bootstrap development environments for your network projects Data formats and models JSON XML YAML Protobuf and YANG Jinja templating for creating network device configurations A holistic approach to architecting network automation services The role of application programming interfaces APIs in network automation Source control with Git to manage code changes during the automation process Cloud native technologies like Docker and Kubernetes How to automate network devices and services using Ansible Nornir and Terraform Tools and technologies for developing and continuously integrating network automation

Mastering Linux Network Administration Jay LaCroix,2015-11-03 Master the skills and techniques that are required to design deploy and administer real Linux based networks About This Book Master the art of using Linux and administering network services for enterprise environments Perform hands on activities to reinforce expert level knowledge Get full coverage of both the CentOS and Debian systems including how networking concepts differ for each Who This Book Is For Mastering Linux Network Administration is recommended for those who already understand the basics of using Linux and networking and would like to push those skills to a higher level through real world Linux networking scenarios Whether you intend to run a home office consisting of Linux nodes or a rollout of a Linux network within your organization this book is a great fit for those that desire to learn how to manage networked systems with the power of Linux What You Will Learn Install and configure the Debian and CentOS systems Set up and configure file servers Administer networked nodes remotely Discover how to monitor system performance for peak health Configure network services such as DNS and DHCP Host HTTP content via Apache Troubleshoot Linux networking issues In Detail Linux is everywhere Whether you run a home office a small business or manage enterprise systems Linux can empower your network to perform at its very best Armed with the advanced tools and best practice guidance of this practical guide you ll be able to mold Linux networks to your will empowering your systems and their users to take advantage of all that Linux based networks have to offer Understand how Linux networks function and get to grips with essential tips and tricks to manage them whether you re already managing a networks or even just starting out With Debian and CentOS as its source this book will divulge all the details you need to manage a real Linux based network With detailed activities and instructions based on real world scenarios this book will be your guide to the exciting world of Linux networking Style and approach This practical guide will walk you through all the core concepts required to manage real Linux based networks

Network Dictionary Javvin Wwww Networkdictionary Com,2007 Whether the reader is the biggest technology geek or simply a computer enthusiast this integral reference tool can shed light on the terms that ll pop up daily in the communications industry Computer Books Communications Networking

Red Hat Linux Networking and System Administration Terry Collings,Kurt Wall,2004-02-20 Updated to cover Red Hat Linux Enterprise Workstation with the latest on advanced Linux kernel features

the Tux Web server the latest Apache 2 x Web server and the expanded suite of custom configuration tools Starts with network planning and Red Hat installation and configuration then progresses to optimizing network and Internet services and monitoring and maintaining the network Examines the basics of Red Hat Linux security and offers trouble shooting and problem solving advice Includes important new chapters that focus on optimizing standard network services such as file and print services and Internet related servers such as the Apache Web server Copyright 2004 by Red Hat Inc Material from Chapters 4 6 8 10 17 and 21 may be distributed only subject to the terms and conditions set forth in the Open Publication License V1 0 or later the latest version is presently available at <http://www.opencontent.org/openpub> *Advanced Networking Concepts Applied Using Linux on IBM System Z* Lydia Parziale, Ben Louie, Eric Marins, Tiago Santos, Srivatsan Venkatesan, 2012 This IBM Redbooks publication describes important networking concepts and industry standards that are used to support high availability on IBM System z Some of the networking standards described here are VLANs VLAN trunking link aggregation virtual switches VNICs and load balancing We examine the various aspects of network setups and introduce the main Linux on System z networking commands and configuration files We describe the management of network interface parameters assignment of addresses to a network interface and usage of the `ifconfig` command to configure network interfaces We provide an overview of connectivity options available on the System z platform We also describe high availability concepts and building a high availability solution using IBM Tivoli System Automation We also provide the implementation steps necessary to build a redundant network connections set up between an IBM z VM system and the external network switches using two Open Systems Adapter Express 3 OSA Express 3 adapters with 10 Gb Ethernet ports We describe the tests performed in our lab environment The objectives of these tests were to gather information about performance and failover from the perspective of a real scenario where the concepts of described in this book were applied This book is focused on information that is practical and useful for readers with experience in network analysis and engineering networks System z and Linux systems administrators especially for readers that administer networks in their day to day activities For additional reading A Technote is available that explains changes to using channel bonding interfaces introduced with SLES 11 SP 2 It can be found at <http://www.redbooks.ibm.com/abstracts/tips1000.html> Open [Mastering Linux](#) Rahul Dwivedi, 2024-11-01 PURPOSE OF THIS BOOK This book is written with one simple dream to make knowledge affordable and accessible for everyone Education should never be a luxury that only the rich can afford it is a right that belongs to every human being That s why this book is priced at nominal charges so that even those who cannot afford expensive courses schools or coaching can still learn grow and build their future Whether you are a Cybersecurity students App developers and Digital forensics professionals a beginner or someone curious about learning this book is designed for you so that money never becomes a barrier between you and education Because I think True power lies in knowledge and knowledge must be shared with all About Book Mastering Linux Advanced Level Unlock the power of professional Linux

system administration security and automation Learn advanced server management networking kernel tuning and ethical hacking with hands on labs and real world projects Perfect for IT professionals sysadmins and cybersecurity learners who want to master Linux like a pro Keywords Linux Linux book learn Linux Linux for beginners Linux guide Linux tutorial Linux commands Linux shell Linux terminal Linux basics Linux administration Linux server Linux for professionals Linux operating system Linux mastery Linux course Linux learning Linux certification Linux expert Linux command line Linux scripting Bash scripting Linux shell scripting Linux kernel Linux networking Linux system administration Ubuntu Red Hat CentOS Fedora Debian Linux tips Linux tricks Linux guidebook Linux user manual Linux programming Linux server management Linux command guide Linux system setup Linux tutorial book mastering Linux Linux for students Linux administration guide Linux commands list Linux shell guide Linux coding Linux practice Linux for IT professionals Linux system engineer Linux course book Linux desktop Linux file system Linux terminal commands Linux beginner guide Linux reference Linux advanced Linux security Linux troubleshooting Linux automation Linux DevOps Linux virtualization Linux tools Linux networking guide Linux sysadmin Linux operating system book Linux basics to advanced Linux essential commands Linux bash Linux cheat sheet Linux for developers Linux shell practice Linux learning path Linux performance Linux optimization Linux for hackers Linux certification guide Linux engineer book Linux for ethical hacking Linux kernel basics Linux system guide Linux projects Linux hands on Linux tutorial for beginners Linux notes Linux interview questions Linux practice book Linux CLI Linux terminal tips Linux shell commands Linux configuration Linux management Linux jobs Linux professional guide Linux manual Linux expert book Linux reference guide Linux training book Mastering Linux Advanced Linux Linux advanced course Linux mastery guide Linux professional book Linux system administration Linux advanced tutorial Linux expert guide Linux power user Linux for professionals Linux command line mastery Linux shell scripting advanced bash scripting expert Linux server management Linux system optimization Linux kernel guide Linux kernel tuning advanced bash commands Linux automation Linux performance tuning Linux security hardening Linux troubleshooting Linux optimization Linux networking Linux system administration book Linux sysadmin guide Linux DevOps Linux for system engineers Red Hat Enterprise Linux Ubuntu server guide CentOS administration Debian server management Fedora advanced Arch Linux mastery advanced Linux shell Linux scripting projects Linux automation scripts Linux terminal mastery Linux server security SELinux configuration iptables firewall nftables firewall Linux network configuration Linux SSH security Linux remote management advanced SSH commands Linux virtualization KVM virtualization Docker on Linux Kubernetes on Linux Linux cloud management AWS Linux administration GCP Linux Azure Linux Linux for DevOps engineers Linux for cybersecurity Linux ethical hacking Linux penetration testing Linux exploit development Linux file system internals Linux process management Linux system calls systemd deep dive Linux boot process GRUB configuration Linux dual boot Linux monitoring Linux performance tools Linux benchmarking Linux disk management LVM setup RAID configuration Linux storage optimization ext4 xfs btrfs Linux backup

and recovery rsync advanced Linux cron jobs automation with cron Linux scripting automation Linux shell loops awk sed grep advanced Linux piping and redirection Linux logs analysis journalctl dmesg syslog Linux performance monitoring htop iotop nload Linux server optimization Linux memory management swap configuration sysctl tuning Linux tuning parameters Linux debugging strace lsof netstat ss command Linux network troubleshooting traceroute dig nslookup Linux DNS configuration Linux load balancing HAProxy setup Nginx advanced Apache tuning Linux mail server Postfix Dovecot setup Linux VPN setup WireGuard OpenVPN Linux encryption LUKS configuration GPG usage OpenSSL commands Linux auditd AppArmor policies Linux security modules Linux malware detection Linux patch management kernel security updates Linux firewall configuration Linux process scheduling cgroups namespaces Linux containers Docker security Podman Kubernetes orchestration Linux system architecture Linux memory tuning Linux multitasking Linux threading Linux interprocess communication Linux daemons Linux system services Linux sysctl conf Linux security best practices Linux optimization for performance Linux server hardening Linux enterprise solutions Linux hybrid cloud Linux for administrators Linux for engineers Linux cloud integration Linux automation tools Ansible on Linux Puppet Linux Chef Linux automation Linux CI CD pipelines Jenkins on Linux Linux continuous deployment Linux system design Linux enterprise administration Linux system monitoring tools Linux kernel compilation build custom Linux compile kernel Linux source code management Linux driver development Linux API programming Linux POSIX threads Linux shell customization bashrc aliases environment variables Linux history commands Linux regex advanced grep sed and awk mastery Linux scripting interview questions Linux admin interview prep Linux professional certification RHCE LPIC 2 LPIC 3 Linux certification exam prep Linux advanced study guide Linux performance expert Linux administrator handbook Linux professional training Linux masterclass Linux reference guide Linux cheat sheet advanced Linux command list advanced Linux commands Linux productivity Linux toolkit Linux expert handbook Linux for DevOps professionals Linux infrastructure management Linux automation engineer Linux cloud engineer Linux advanced networking Linux security engineer Linux systems design Linux master tutorial Linux professional reference Linux hands on labs Linux for developers Linux deep dive Linux architecture guide Linux scripting reference Linux command reference mastering bash shell Linux advanced scripting Linux enterprise deployment Linux hybrid systems Linux configuration management

Linux Network Servers Craig Hunt, 2006-10-11 Authoritative Answers to All Your Linux Network Server Questions Specifically for Linux Administrators Tap into Linux's impressive capabilities as a network server Written by one of the world's leading Linux system administration experts Linux Network Servers teaches you step by step all the standard and advanced techniques you need to know to configure and administer a full range of network services from file and printer sharing to email and the Web Hundreds of clear consistent examples illustrate these techniques in detail so you stay on track and accomplish all your goals Coverage includes the following Installing Linux Understanding the boot process Working with the network interface Setting up login services Using Linux name services Configuring a mail server

Setting up Apache Web server Configuring network gateway services Configuring desktop configuration server Setting up file sharing Setting up printer services Securing your server Troubleshooting The Craig Hunt Linux Library The Craig Hunt Linux Library provides in depth advanced coverage of the key topics for Linux administrators Topics include Samba System Administration DNS Server Administration Apache Security and Sendmail Each book in the series is either written by or meticulously reviewed by Craig Hunt to ensure the highest quality and most complete coverage for networking professionals working specifically in Linux environments

Ultimate Linux Network Security for Enterprises Adarsh Kant, 2024-04-30

Level Up Your Security Skills with Linux Expertise Key Features Comprehensive exploration of Linux network security and advanced techniques to defend against evolving cyber threats Hands on exercises to reinforce your understanding and gain practical experience in implementing cybersecurity strategies Gain valuable insights from industry best practices to effectively address emerging threats and protect your organization's digital assets within the evolving landscape of Linux network security

Book DescriptionThe Ultimate Linux Network Security for Enterprises is your essential companion to mastering advanced cybersecurity techniques tailored for Linux systems The book provides a comprehensive exploration of Linux network security equipping you with the skills and knowledge needed to defend against evolving cyber threats Through hands on exercises real world scenarios and industry best practices this book empowers you to fortify your organization's networks with confidence Discover practical insights and techniques that transcend theoretical knowledge enabling you to apply effective cybersecurity strategies in your job role From understanding fundamental concepts to implementing robust security measures each chapter provides invaluable insights into securing Linux based networks Whether you are tasked with conducting vulnerability assessments designing incident response plans or implementing intrusion detection systems this book equips you with the tools and expertise to excel in your cybersecurity endeavors By the end of this book you will gain the expertise needed to stay ahead of emerging threats and safeguard your organization's digital assets What you will learn Perform thorough vulnerability assessments on Linux networks to pinpoint network weaknesses Develop and deploy resilient security incident response plans Configure and oversee sophisticated firewall and packet filtering rules Employ cryptography techniques to ensure secure data transmission and storage Implement efficient Intrusion Detection and Prevention Systems IDS IPS Enforce industry leading best practices to bolster Linux network security defenses

Table of Contents

- 1 Exploring Linux Network Security Fundamentals
- 2 Creating a Secure Lab Environment
- 3 Access Control Mechanism in Linux
- 4 Implementing Firewalls And Packet Filtering
- 5 Mastering Cryptography for Network Security
- 6 Intrusion Detection System and Intrusion Prevention System
- 7 Conducting Vulnerability Assessment with Linux
- 8 Creating Effective Disaster Recovery Strategies
- 9 Robust Security Incident Response Plan
- 10 Best Practices for Linux Network Security Professionals

Index

Linux Journal, 2005-07 *Linux Administration* Steven Graham, Steve Shah, 2003 This volume is a practical guide to Linux for systems and network administrators who are moving from Windows NT to Linux or

are experimenting with bringing Linux into their network topology [Linux Advanced System and Network Administration](#) Element K Content LLC,2005-01-01 **Advanced Networking Concepts Applied Using Linux on IBM System z** Lydia Parziale,Ben Louie,Eric Marins,Tiago Nunes dos Santos,Srivatsan Venkatesan,IBM Redbooks,2012-03-06 This IBM Redbooks publication describes important networking concepts and industry standards that are used to support high availability on IBM System z Some of the networking standards described here are VLANs VLAN trunking link aggregation virtual switches VNICs and load balancing We examine the various aspects of network setups and introduce the main Linux on System z networking commands and configuration files We describe the management of network interface parameters assignment of addresses to a network interface and usage of the ifconfig command to configure network interfaces We provide an overview of connectivity options available on the System z platform We also describe high availability concepts and building a high availability solution using IBM Tivoli System Automation We also provide the implementation steps necessary to build a redundant network connections set up between an IBM z VM system and the external network switches using two Open Systems Adapter Express 3 OSA Express 3 adapters with 10 Gb Ethernet ports We describe the tests performed in our lab environment The objectives of these tests were to gather information about performance and failover from the perspective of a real scenario where the concepts of described in this book were applied This book is focused on information that is practical and useful for readers with experience in network analysis and engineering networks System z and Linux systems administrators especially for readers that administer networks in their day to day activities For additional reading A Technote is available that explains changes to using channel bonding interfaces introduced with SLES 11 SP 2 It can be found at <http://www.redbooks.ibm.com/abstracts/tips1000.html> Open [A Practical Guide to Advanced Networking](#) Jeffrey S. Beasley,Piyasat Nilkaew,2012-11-05 A Practical Guide to Advanced Networking Third Edition takes a pragmatic hands on approach to teaching advanced modern networking concepts from the network administrator s point of view Thoroughly updated for the latest networking technologies and applications the book guides you through designing configuring and managing campus networks connecting networks to the Internet and using the latest networking technologies The authors first show how to solve key network design challenges including data flow selection of network media IP allocation subnetting and configuration of both VLANs and Layer 3 routed networks Next they illuminate advanced routing techniques using RIP IPv2 OSPF IS IS EIGRP and other protocols and show how to address common requirements such as static routing and route redistribution You ll find thorough coverage of configuring IP based network infrastructure and using powerful WireShark and NetFlow tools to analyze and troubleshoot traffic A full chapter on security introduces best practices for preventing DoS attacks configuring access lists and protecting routers switches VPNs and wireless networks This book s coverage also includes IPv6 Linux based networking Juniper routers BGP Internet routing and Voice over IP VoIP Every topic is introduced in clear easy to understand language key ideas are reinforced with working examples and hands on exercises

based on powerful network simulation software Key Pedagogical Features NET CHALLENGE SIMULATION SOFTWARE provides hands on experience with advanced router and switch commands interface configuration and protocols now including RIPv2 and IS IS WIRESHARK NETWORK PROTOCOL ANALYZER TECHNIQUES and EXAMPLES of advanced data traffic analysis throughout PROVEN TOOLS FOR MORE EFFECTIVE LEARNING including chapter outlines and summaries WORKING EXAMPLES IN EVERY CHAPTER to reinforce key concepts and promote mastery KEY TERMS DEFINITIONS LISTINGS and EXTENSIVE GLOSSARY to help you master the language of networking QUESTIONS PROBLEMS and CRITICAL THINKING QUESTIONS to help you deepen your understanding CD ROM includes Net Challenge Simulation Software and the Wireshark Network Protocol Analyzer Software examples **Sys Admin** ,2005 **MCSE Windows 2000 Network Infrastructure** Dave Bixler,Larry Chambers,Joseph Phillips,2000 Designed for advanced end users network engineers and systems administrators who are seeking to pass exams in pursuit of a Microsoft Windows certification Forthcoming Books Rose Army,2002

Thank you for downloading **Advanced Linux Networking**. As you may know, people have search numerous times for their chosen readings like this Advanced Linux Networking, but end up in infectious downloads. Rather than enjoying a good book with a cup of coffee in the afternoon, instead they juggled with some malicious bugs inside their computer.

Advanced Linux Networking is available in our digital library an online access to it is set as public so you can download it instantly.

Our books collection saves in multiple locations, allowing you to get the most less latency time to download any of our books like this one.

Merely said, the Advanced Linux Networking is universally compatible with any devices to read

<https://py.bijouxmedusa.com/files/browse/Documents/Passive%20Income%20Ideas%20Roadmap%20For%20Small%20Business%207%202445%20Passive%20Income.pdf>

Table of Contents Advanced Linux Networking

1. Understanding the eBook Advanced Linux Networking
 - The Rise of Digital Reading Advanced Linux Networking
 - Advantages of eBooks Over Traditional Books
2. Identifying Advanced Linux Networking
 - Exploring Different Genres
 - Considering Fiction vs. Non-Fiction
 - Determining Your Reading Goals
3. Choosing the Right eBook Platform
 - Popular eBook Platforms
 - Features to Look for in an Advanced Linux Networking
 - User-Friendly Interface
4. Exploring eBook Recommendations from Advanced Linux Networking

- Personalized Recommendations
 - Advanced Linux Networking User Reviews and Ratings
 - Advanced Linux Networking and Bestseller Lists
5. Accessing Advanced Linux Networking Free and Paid eBooks
 - Advanced Linux Networking Public Domain eBooks
 - Advanced Linux Networking eBook Subscription Services
 - Advanced Linux Networking Budget-Friendly Options
 6. Navigating Advanced Linux Networking eBook Formats
 - ePub, PDF, MOBI, and More
 - Advanced Linux Networking Compatibility with Devices
 - Advanced Linux Networking Enhanced eBook Features
 7. Enhancing Your Reading Experience
 - Adjustable Fonts and Text Sizes of Advanced Linux Networking
 - Highlighting and Note-Taking Advanced Linux Networking
 - Interactive Elements Advanced Linux Networking
 8. Staying Engaged with Advanced Linux Networking
 - Joining Online Reading Communities
 - Participating in Virtual Book Clubs
 - Following Authors and Publishers Advanced Linux Networking
 9. Balancing eBooks and Physical Books Advanced Linux Networking
 - Benefits of a Digital Library
 - Creating a Diverse Reading Collection Advanced Linux Networking
 10. Overcoming Reading Challenges
 - Dealing with Digital Eye Strain
 - Minimizing Distractions
 - Managing Screen Time
 11. Cultivating a Reading Routine Advanced Linux Networking
 - Setting Reading Goals Advanced Linux Networking
 - Carving Out Dedicated Reading Time
 12. Sourcing Reliable Information of Advanced Linux Networking

- Fact-Checking eBook Content of Advanced Linux Networking
 - Distinguishing Credible Sources
13. Promoting Lifelong Learning
- Utilizing eBooks for Skill Development
 - Exploring Educational eBooks
14. Embracing eBook Trends
- Integration of Multimedia Elements
 - Interactive and Gamified eBooks

Advanced Linux Networking Introduction

Free PDF Books and Manuals for Download: Unlocking Knowledge at Your Fingertips In today's fast-paced digital age, obtaining valuable knowledge has become easier than ever. Thanks to the internet, a vast array of books and manuals are now available for free download in PDF format. Whether you are a student, professional, or simply an avid reader, this treasure trove of downloadable resources offers a wealth of information, conveniently accessible anytime, anywhere. The advent of online libraries and platforms dedicated to sharing knowledge has revolutionized the way we consume information. No longer confined to physical libraries or bookstores, readers can now access an extensive collection of digital books and manuals with just a few clicks. These resources, available in PDF, Microsoft Word, and PowerPoint formats, cater to a wide range of interests, including literature, technology, science, history, and much more. One notable platform where you can explore and download free Advanced Linux Networking PDF books and manuals is the internet's largest free library. Hosted online, this catalog compiles a vast assortment of documents, making it a veritable goldmine of knowledge. With its easy-to-use website interface and customizable PDF generator, this platform offers a user-friendly experience, allowing individuals to effortlessly navigate and access the information they seek. The availability of free PDF books and manuals on this platform demonstrates its commitment to democratizing education and empowering individuals with the tools needed to succeed in their chosen fields. It allows anyone, regardless of their background or financial limitations, to expand their horizons and gain insights from experts in various disciplines. One of the most significant advantages of downloading PDF books and manuals lies in their portability. Unlike physical copies, digital books can be stored and carried on a single device, such as a tablet or smartphone, saving valuable space and weight. This convenience makes it possible for readers to have their entire library at their fingertips, whether they are commuting, traveling, or simply enjoying a lazy afternoon at home. Additionally, digital files are easily searchable, enabling readers to locate specific information within seconds. With a few keystrokes, users can search for keywords, topics, or phrases, making research and finding relevant information a breeze. This efficiency

saves time and effort, streamlining the learning process and allowing individuals to focus on extracting the information they need. Furthermore, the availability of free PDF books and manuals fosters a culture of continuous learning. By removing financial barriers, more people can access educational resources and pursue lifelong learning, contributing to personal growth and professional development. This democratization of knowledge promotes intellectual curiosity and empowers individuals to become lifelong learners, promoting progress and innovation in various fields. It is worth noting that while accessing free Advanced Linux Networking PDF books and manuals is convenient and cost-effective, it is vital to respect copyright laws and intellectual property rights. Platforms offering free downloads often operate within legal boundaries, ensuring that the materials they provide are either in the public domain or authorized for distribution. By adhering to copyright laws, users can enjoy the benefits of free access to knowledge while supporting the authors and publishers who make these resources available. In conclusion, the availability of Advanced Linux Networking free PDF books and manuals for download has revolutionized the way we access and consume knowledge. With just a few clicks, individuals can explore a vast collection of resources across different disciplines, all free of charge. This accessibility empowers individuals to become lifelong learners, contributing to personal growth, professional development, and the advancement of society as a whole. So why not unlock a world of knowledge today? Start exploring the vast sea of free PDF books and manuals waiting to be discovered right at your fingertips.

FAQs About Advanced Linux Networking Books

1. Where can I buy Advanced Linux Networking books? Bookstores: Physical bookstores like Barnes & Noble, Waterstones, and independent local stores. Online Retailers: Amazon, Book Depository, and various online bookstores offer a wide range of books in physical and digital formats.
2. What are the different book formats available? Hardcover: Sturdy and durable, usually more expensive. Paperback: Cheaper, lighter, and more portable than hardcovers. E-books: Digital books available for e-readers like Kindle or software like Apple Books, Kindle, and Google Play Books.
3. How do I choose a Advanced Linux Networking book to read? Genres: Consider the genre you enjoy (fiction, non-fiction, mystery, sci-fi, etc.). Recommendations: Ask friends, join book clubs, or explore online reviews and recommendations. Author: If you like a particular author, you might enjoy more of their work.
4. How do I take care of Advanced Linux Networking books? Storage: Keep them away from direct sunlight and in a dry environment. Handling: Avoid folding pages, use bookmarks, and handle them with clean hands. Cleaning: Gently dust

- the covers and pages occasionally.
5. Can I borrow books without buying them? Public Libraries: Local libraries offer a wide range of books for borrowing. Book Swaps: Community book exchanges or online platforms where people exchange books.
 6. How can I track my reading progress or manage my book collection? Book Tracking Apps: Goodreads, LibraryThing, and Book Catalogue are popular apps for tracking your reading progress and managing book collections. Spreadsheets: You can create your own spreadsheet to track books read, ratings, and other details.
 7. What are Advanced Linux Networking audiobooks, and where can I find them? Audiobooks: Audio recordings of books, perfect for listening while commuting or multitasking. Platforms: Audible, LibriVox, and Google Play Books offer a wide selection of audiobooks.
 8. How do I support authors or the book industry? Buy Books: Purchase books from authors or independent bookstores. Reviews: Leave reviews on platforms like Goodreads or Amazon. Promotion: Share your favorite books on social media or recommend them to friends.
 9. Are there book clubs or reading communities I can join? Local Clubs: Check for local book clubs in libraries or community centers. Online Communities: Platforms like Goodreads have virtual book clubs and discussion groups.
 10. Can I read Advanced Linux Networking books for free? Public Domain Books: Many classic books are available for free as they're in the public domain. Free E-books: Some websites offer free e-books legally, like Project Gutenberg or Open Library.

Find Advanced Linux Networking :

passive income ideas roadmap for small business 7-2445 passive income practices for entrepreneurs 7-944 dropshipping business blueprint USA marketplace tips USA 7-1617 NFT marketplace tips United States 7-2364 ideas for startups 7-71 freelancing online review America 7-245 business 7-672 credit score improvement tips United States 7-1031 credit improvement examples for entrepreneurs 7-2478 credit score improvement ideas review for entrepreneurs 7-2997 mobile app ideas review for United States 7-2536 small business ideas tools for entrepreneurs 7-2518 content marketing tutorial for creators 7-2499 credit score improvement NFT marketplace tips for creators 7-746 NFT marketplace tools America

creators 7-1825 healthy recipes trends for small business 7-421 healthy

United States 7-11 credit score improvement guide for small business

~~AI marketing apps for startups 7-1339 AI marketing apps for startups~~

~~United States 7-1690 dropshipping business software for entrepreneurs~~

United States 7-2446 remote jobs case study America 7-2961 remote jobs

Advanced Linux Networking :

political science 1010 lecture notes kean university - Mar 17 2022

web political science 1010 lecture notes kean university right here we have countless ebook political science 1010 lecture notes kean university and collections to check out we additionally provide variant types and with type of the books to browse the usual book fiction history novel scientific research as skillfully as various

political science 1010 lecture notes kean university download - May 19 2022

web you could buy lead political science 1010 lecture notes kean university or get it as soon as feasible you could speedily download this political science 1010 lecture notes kean university after getting deal

political science 1010 lecture notes kean university orientation sutd edu - Apr 29 2023

web challenging political science 1010 lecture notes kean university is accessible in our novel collection an online access to it is set as public so you can get it immediately acknowledgment for acquiring political science

political science 1010 lecture notes kean university pdf uniport edu - Aug 22 2022

web may 9 2023 political science 1010 lecture notes kean university 2 10 downloaded from uniport edu ng on may 9 2023

by guest understanding of bioeconomy who participates in the negotiation of specific bioeconomy policies and who does not who determines the agenda to what extent does the bioeconomy affect existing socio

pols 1010 introduction to politics studocu - Sep 03 2023

web studying pols 1010 introduction to politics at kean university on studocu you will find lecture notes and much more for pols 1010

political science 1010 lecture notes kean university pdf uniport edu - Jul 01 2023

web apr 8 2023 political science 1010 lecture notes kean university is available in our book collection an online access to it is set as public so you can download it instantly our digital library saves in multiple locations allowing you to get the most less latency time

political science 1010 lecture notes kean university copy uniport edu - Feb 25 2023

web apr 3 2023 1010 lecture notes kean university what you in the same way as to read comprehensive dissertation index

1984 vols for 1973 include the following subject areas biological sciences agriculture chemistry environmental sciences health sciences

ps 1010 introduction to politics studocu - Oct 04 2023

web studying ps 1010 introduction to politics at kean university on studocu you will find lecture notes practice materials summaries assignments and much more for ps

political science 1010 lecture notes kean university - Feb 13 2022

web jul 8 2023 political science 1010 lecture notes kean university author online kptm edu my 2023 07 08 03 44 48 subject political science 1010 lecture notes kean university keywords political science 1010 lecture notes kean university created date 7 8 2023 3 44 48 am

political science 1010 lecture notes kean university - Nov 24 2022

web political science 1010 lecture notes kean university author jochen nemetz from mypthumb com subject political science 1010 lecture notes kean university keywords 1010 political notes kean science lecture university created date

political science 1010 lecture notes kean university - Apr 17 2022

web political science 1010 lecture notes kean university author justus backhaus from forms trafford ac uk subject political science 1010 lecture notes kean university keywords kean university lecture science 1010 political notes created date

political science 1010 lecture notes kean university pdf uniport edu - Oct 24 2022

web jun 30 2023 political science 1010 lecture notes kean university 2 9 downloaded from uniport edu ng on june 30 2023 by guest that investigates how to enhance learning and instruction to aid students struggling to learn and to advise teachers on how best to support student learning the handbook includes features that inform readers about how to

political science kean university - Dec 26 2022

web kean students learn from experts in political science government media and more in the kean president s distinguished lecture series what you learn you develop advanced communication and reasoning skills while learning about the workings and importance of political systems

ps 1010 external kean university studylib net - Aug 02 2023

web free essays homework help flashcards research papers book reports term papers history science politics studylib documents flashcards chrome extension saved documents profile add to add to collection s add to saved social science political science ps 1010 external kean university

political science 1010 lecture notes kean university orientation sutd edu - Jan 27 2023

web political science 1010 lecture notes kean university its for that motivation definitely straightforward and as a effect details isnt it you have to advantage to in this place

read free political science 1010 lecture notes kean university - Mar 29 2023

web apr 3 2023 political science 1010 lecture notes kean university by online you might not require more become old to spend to go to the books establishment as well as search for them in some cases you likewise attain not discover the statement political science 1010 lecture notes kean university that you are looking for it will no question

political science 1010 lecture notes kean university - Jun 19 2022

web political science 1010 lecture notes kean university author pakartiluhur ac id 2023 09 25 05 30 26 subject political science 1010 lecture notes kean university keywords political science 1010 lecture notes kean university created date 9 25 2023 5 30 26 am

political science 1010 lecture notes kean university uniport edu - Jul 21 2022

web apr 17 2023 political science 1010 lecture notes kean university 1 1 downloaded from uniport edu ng on april 17 2023 by guest political science 1010 lecture notes kean university this is likewise one of the factors by obtaining the soft documents of this political science 1010 lecture notes kean university by online

political science 1010 lecture notes kean university pdf 2023 - Sep 22 2022

web political science 1010 lecture notes kean university pdf 2023 support ortax org created date 9 14 2023 5 24 06 pm
political science 1010 lecture notes kean university pdf uniport edu - May 31 2023

web jun 18 2023 political science 1010 lecture notes kean university 1 9 downloaded from uniport edu ng on june 18 2023 by guest political science 1010 lecture notes kean university right here we have countless books political science 1010 lecture notes kean university and collections to check out we additionally come up with the money for

einfach familie leben von susanne mierau buch 978 3 - Apr 30 2023

web einfach familie leben der minimalismus guide wohnen kleidung lifestyle achtsamkeit von mierau susanne glimbovski milena bei abebooks de isbn 10

amazon com au customer reviews einfach familie leben der - Nov 25 2022

web einfach familie leben der minimalismus guide wohnen kleidung lifestyle achtsamkeit minimalistisch und nachhaltig leben mit kindern by mierau susanne

einfach familie leben der minimalismus guide wickelart - Jul 22 2022

web diplom psychologin marijana braune gibt tipps wie sie minimalismus in der familie für ein befreites nachhaltiges leben umsetzen können

einfach familie leben der minimalismus guide wohnen - Mar 30 2023

web einfach leben der guide für einen minimalistischen lebensstil minimalismus ratgeber für wohnung mode beauty und lifestyle jachmann lina amazon de bücher

minimalismus in der familie tipps vom profi waschbär magazin - Jun 20 2022

web einfach familie leben der minimalismus guide wohnen kleidung lifestyle achtsamkeit mieraue susanne glimbovski milena amazon com mx libros

einfach familie leben der minimalismus guide wohnen - May 20 2022

web compre online einfach familie leben der minimalismus guide wohnen kleidung lifestyle achtsamkeit de mieraue susanne glimbovski milena vogt katja na amazon

einfach familie leben der minimalismus guide wohnen - Sep 04 2023

web einfach familie leben der minimalismus guide wohnen kleidung lifestyle achtsamkeit on amazon com au free shipping on eligible orders einfach familie

einfach familie leben der minimalismus guide wohnen - Apr 18 2022

web 2 days ago für mich ist minimalismus ein weg das leben so zu gestalten wie es einem gut tut es ist nichts Äußerliches sondern eine tiefe veränderung die es in einem

einfach familie leben orell füssli - Dec 27 2022

web find helpful customer reviews and review ratings for einfach familie leben der minimalismus guide wohnen kleidung lifestyle achtsamkeit at amazon com read

einfach familie leben von susanne mieraue milena glimbovski - Sep 23 2022

web 2019 kartoniert 216 seiten 180 farbige abbildungen 229mm x 159mm x 21mm sprache n ger

einfach familie leben der minimalismus guide wohnen - Jul 02 2023

web apr 16 2019 der minimalismus ratgeber für familienmit kindern leben heißt im vergleich zum davor weniger platz weniger flexibilität weniger zeit und oft auch

einfach familie leben der minimalismus guide wohn karen - Dec 15 2021

minimalistisch reisen als familie so einfach geht s - Jan 16 2022

web einfach familie leben der minimalismus guide wohn when people should go to the books stores search establishment by shop shelf by shelf it is in reality problematic

21 simple ways to be a minimalist family minimalism made - Feb 14 2022

web feb 4 2023 3 gedanken zu minimalistisch reisen als familie so einfach geht s minimalistisch reisen als familie ist gar nicht so schwer wie es geht und worauf du

einfach familie leben der minimalismus guide wohnen - Jun 01 2023

web dieser minimalismus guide zweier expertinnen auf dem gebiet des achtsamen familienlebens und des zero waste beide

mütter geht einmal durch alle relevanten

einfach familie leben der minimalismus guide wohnen - Aug 03 2023

web apr 16 2019 einfach familie leben der minimalismus guide wohnen kleidung lifestyle achtsamkeit mieraue susanne glimbovski milena on amazon com free

minimalismus in der wohnung befreiung des selbst sz de - Mar 18 2022

web by differentiating the things they need from the things they don t they better understand the concept of what minimalism is all about 16 encourage your family gently again you

einfach familie leben der minimalismus guide wohnen - Jan 28 2023

web jetzt online bestellen heimlieferung oder in filiale einfach familie leben der minimalismus guide wohnen kleidung lifestyle achtsamkeit von susanne mieraue

einfach familie leben minimalismus guide by mieraue susanne - Oct 25 2022

web jun 1 2019 einfach familie leben der minimalismus guide wohnen kleidung lifestyle achtsamkeit isbn 978 3 95728 270 5 25 00 knesebeck verlag

einfach leben der guide für einen minimalistischen lebensstil - Feb 26 2023

web abebooks com einfach familie leben der minimalismus guide wohnen kleidung lifestyle achtsamkeit 9783957282705 by mieraue susanne glimbovski milena and a

einfach familie leben softcover der minimalismus guide - Aug 23 2022

web wohnen kleidung ernährung pflege lifestyle mobilität dieses buch zeigt stressfreie und erprobte wege auf wie du mit familie einfacher und nachhaltiger leben kannst

einfach familie leben der minimalismus guide - Oct 05 2023

web einfach familie leben der minimalismus guide wohnen kleidung lifestyle achtsamkeit mieraue susanne glimbovski milena vogt katja isbn 9783957282705

happy new wir der aufregende start ins familienle full pdf - Jan 12 2023

the most less latency times to download any of our books taking into consideration this one merely said the happy new wir der aufregende start ins familienle is universally compatible bearing in mind any devices to read happy new wir der aufregende start ins familienle 2022 01 17 mclean kenyon musiktexte lit verlag münster

happy new wir der aufregende start ins familienleben by - Sep 08 2022

happy new wir der aufregende start ins familienleben by sarah lauser happy new wir der aufregende start ins familienleben by sarah lauser happy new year dental consulting wellenbrecherinnen on instagram tag 19 auf dem meer jessica schwarz on instagram happy new year 2020 wir freebie happy new year drei kleine perlen frohe festtage english

happy new wir der aufregende start ins familienle - Jul 06 2022

4 happy new wir der aufregende start ins familienle 2022 10 24 food discovering christmas traditions from around the world and so much more this gorgeous hardback has a festively foiled cover a ribbon and artwork on beautiful paper making it

happy new wir der aufregende start ins familienleben by - Oct 09 2022

happy new wir der aufregende start ins familienleben by sarah lauser happy new wir der aufregende start ins familienleben by sarah lauser happy new year sway office frohe festtage english translation linguee freebie happy new year drei kleine perlen happy new year blogger brass band blechklang added a new photo brass band

endlich wieder bei meinen verrückten kindern alltag deutsch youtube - Jun 05 2022

türkei deutsch alltag familie kinder mylife turkey gurbetci hallo hallo meine lieben heute abend bin ich endlich mit meiner hausarbeit und dem putzen

happy new wir der aufregende start ins familienleben - May 16 2023

lese happy new wir der aufregende start ins familienleben gratis von sarah lauser verfügbar als e book jetzt 14 tage gratis testen 30 tage gratis jederzeit kündbar lies höre unbegrenzt große auswahl an neuen büchern 9 10 lesen mehr mit nextory

[abba happy new year şarkı sözleri türkçe çevirisi](#) - Feb 01 2022

jan 1 2017 ve havaifşekler de bitti işte buradayız sen ve ben kayıp ve sıkın hissediyoruz partinin sonu geldi ve sabah çok gri görünüyor dünkü gibi değil happy new year içeren koleksiyonlar 1 new year songs 2 abba super trouper 1980 3 christmas and new year songs abba en İyi 3 1 the winner takes it all 2

happy new wir der aufregende start ins familienle alima - Nov 10 2022

happy new wir der aufregende start ins familienle 1 23 downloaded from secure docs lenderhomepage com on by guest happy new wir der aufregende start ins familienle thank you very much for reading happy new wir der aufregende start ins familienle maybe you have knowledge that people have look hundreds times for their chosen novels like this

happy new wir der aufregende start ins familienleben - Mar 14 2023

wie leben wir ehe und legen die grundlage für unsere familie wie können wir die schwangerschaft gestalten wie sieht unser familienleben aus wenn das baby da ist wie entwickeln wir

happy new wir der aufregende start ins familienleben by - Dec 11 2022

happy new wir der aufregende start ins familienleben by sarah lauser kapitel 43 happy new year wattrpad happy new year blogger einen guten rutsch ins neue jahr fnf europe wishes you a happy holiday season friedrich archaeo artist facebook einen guten wochenstart translation from german into happy new year

happy new wir der aufregende start ins familienleben ebook - Apr 15 2023

mar 1 2019 der begleiter von der schwangerschaft bis zur kleinkinderphase sarah lauser mama von vier kindern kennt das

abenteuer eine familie zu gründen

happy new wir der aufregende start ins familienle - Mar 02 2022

4 happy new wir der aufregende start ins familienle 2022 05 10 was badly wounded in the line of duty when he agrees to become virgin river s first cop he does so knowing it s time he settled down twice divorced and the lover of too many women he secretly longs for the kind of commitment and happiness his

happy new wir der aufregende start ins familienleben by - May 04 2022

happy new wir der aufregende start ins familienleben by sarah lauser kapitel 43 happy new year watsapp happy new wir scm shop happy new year the team wish you a merry christmas and a happy new year archaeo artist facebook smartfiber ag wishes a happy new year 2014 on vimeo brass band blechklang added

happy new wir der aufregende start ins familienleben by - Aug 07 2022

happy new wir der aufregende start ins familienleben by sarah lauser david on instagram happy new year 2018 ist watson happy new year facebook jessica schwarz on instagram happy new year 2020 wir happy new year in german learn german online we wish you a merry christmas and a happy new linguae kati on instagram werbung happy new year ich

happy new wir der aufregende start ins familienleben google - Jul 18 2023

happy new wir der aufregende start ins familienleben ebook written by sarah lauser read this book using google play books app on your pc android ios devices download for

happy new wir der aufregende start ins familienleben - Jun 17 2023

es bimmelt und klingelt im restaurant an der supermarktkasse und auf dem spielplatz gebannt wie kleine zombies tauchen die kinder mit ihren smartphones und tablets in digitale welten ab die eltern bekommen panik hilfe mein kind ist ein smombie

happy new wir der aufregende start ins familienle bernhard - Feb 13 2023

happy new wir der aufregende start ins familienle is available in our book collection an online access to it is set as public so you can get it instantly our book servers spans in multiple locations allowing you to get the most less latency time to download any of our books like this one kindly say the happy new wir der aufregende start ins

happy new wir der aufregende start ins familienle download - Apr 03 2022

happy new wir der aufregende start ins familienle 3 3 downloaded from ieducar jaciara mt gov br on by guest good tidings to another person happy has a few other senses as an happy definition of happy by the free dictionary 1 feeling showing or expressing joy pleased 2 willing i d be happy to show you around 3 causing joy or gladness 4 fortunate

happy new wir der aufregende start ins familienleben - Sep 20 2023

happy new wir der aufregende start ins familienleben lauser sarah isbn 9783775158930 kostenloser versand für alle bücher

mit versand und verkauf duch amazon

happy new wir der aufregende start ins familienleben - Aug 19 2023

inhaltsangabe der begleiter von der schwangerschaft bis zur kleinkinderphase sarah lauser mama von vier kindern kennt das abenteuer eine familie zu gründen lasst euch von ihr auf die einzigartige und spannende reise mitnehmen von anfang an ein starkes team zu werden von der ersten vorbereitung in der schwangerschaft bis in die