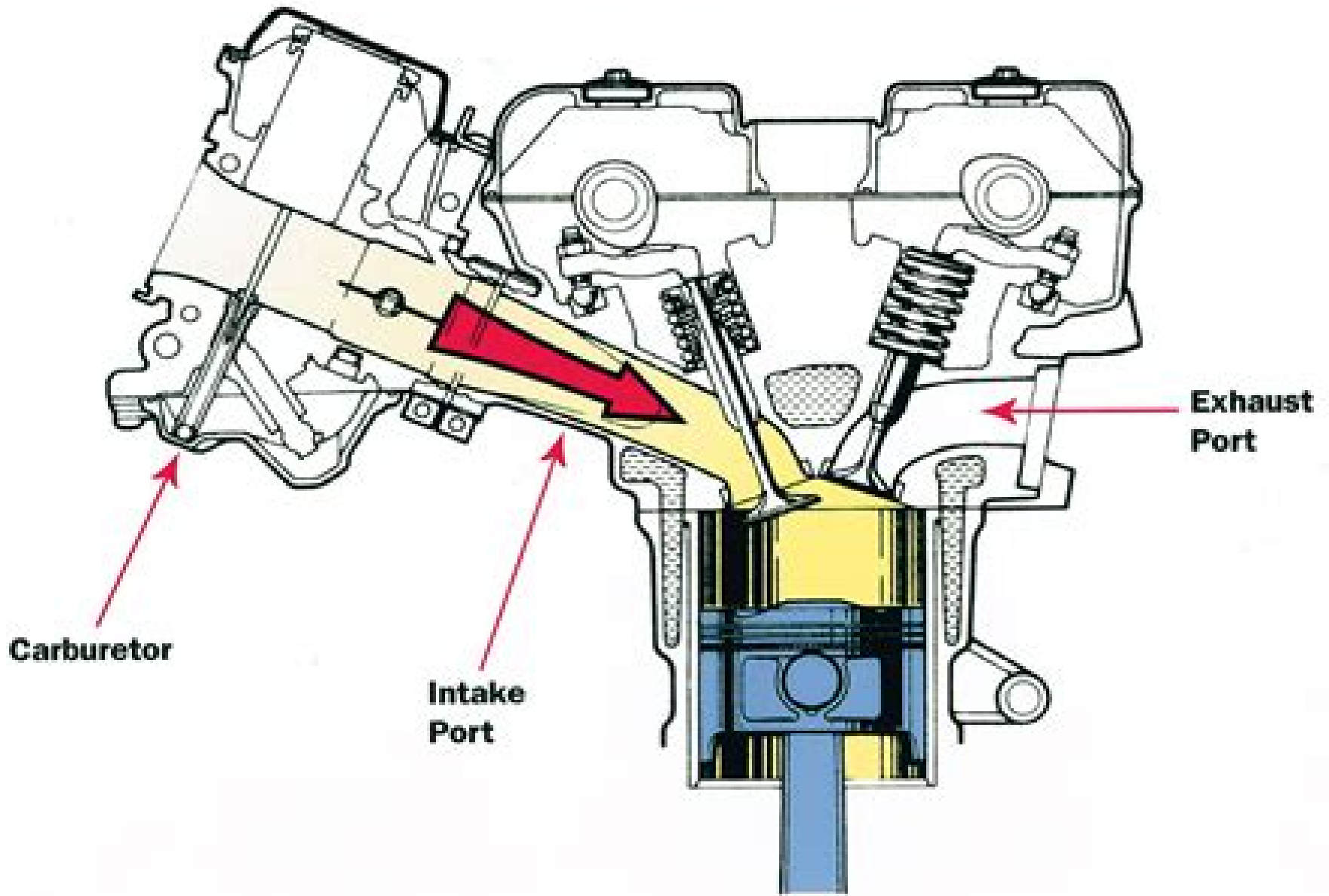


## 4-Stroke Engines



# How Motorcycle Engine Works

**Thirumalaisamy P.  
Velavancorresponding**



## **How Motorcycle Engine Works:**

## Unveiling the Energy of Verbal Beauty: An Mental Sojourn through **How Motorcycle Engine Works**

In a global inundated with screens and the cacophony of instant conversation, the profound energy and mental resonance of verbal art usually disappear into obscurity, eclipsed by the regular onslaught of sound and distractions. However, located within the musical pages of **How Motorcycle Engine Works**, a interesting perform of literary brilliance that pulses with fresh thoughts, lies an remarkable journey waiting to be embarked upon. Written by way of a virtuoso wordsmith, this magical opus books readers on an emotional odyssey, lightly exposing the latent possible and profound affect stuck within the elaborate internet of language. Within the heart-wrenching expanse of this evocative analysis, we can embark upon an introspective exploration of the book is main subjects, dissect their fascinating writing model, and immerse ourselves in the indelible effect it leaves upon the depths of readers souls.

<https://py.bijouxmedusa.com/results/publication/HomePages/97%202089%20instagram%20growth%20best%20practices%20united%20states%2097%202224%20instagram.pdf>

### **Table of Contents How Motorcycle Engine Works**

1. Understanding the eBook How Motorcycle Engine Works
  - The Rise of Digital Reading How Motorcycle Engine Works
  - Advantages of eBooks Over Traditional Books
2. Identifying How Motorcycle Engine Works
  - Exploring Different Genres
  - Considering Fiction vs. Non-Fiction
  - Determining Your Reading Goals
3. Choosing the Right eBook Platform
  - Popular eBook Platforms
  - Features to Look for in an How Motorcycle Engine Works
  - User-Friendly Interface
4. Exploring eBook Recommendations from How Motorcycle Engine Works

- Personalized Recommendations
  - How Motorcycle Engine Works User Reviews and Ratings
  - How Motorcycle Engine Works and Bestseller Lists
5. Accessing How Motorcycle Engine Works Free and Paid eBooks
    - How Motorcycle Engine Works Public Domain eBooks
    - How Motorcycle Engine Works eBook Subscription Services
    - How Motorcycle Engine Works Budget-Friendly Options
  6. Navigating How Motorcycle Engine Works eBook Formats
    - ePub, PDF, MOBI, and More
    - How Motorcycle Engine Works Compatibility with Devices
    - How Motorcycle Engine Works Enhanced eBook Features
  7. Enhancing Your Reading Experience
    - Adjustable Fonts and Text Sizes of How Motorcycle Engine Works
    - Highlighting and Note-Taking How Motorcycle Engine Works
    - Interactive Elements How Motorcycle Engine Works
  8. Staying Engaged with How Motorcycle Engine Works
    - Joining Online Reading Communities
    - Participating in Virtual Book Clubs
    - Following Authors and Publishers How Motorcycle Engine Works
  9. Balancing eBooks and Physical Books How Motorcycle Engine Works
    - Benefits of a Digital Library
    - Creating a Diverse Reading Collection How Motorcycle Engine Works
  10. Overcoming Reading Challenges
    - Dealing with Digital Eye Strain
    - Minimizing Distractions
    - Managing Screen Time
  11. Cultivating a Reading Routine How Motorcycle Engine Works
    - Setting Reading Goals How Motorcycle Engine Works
    - Carving Out Dedicated Reading Time
  12. Sourcing Reliable Information of How Motorcycle Engine Works

- Fact-Checking eBook Content of How Motorcycle Engine Works
  - Distinguishing Credible Sources
13. Promoting Lifelong Learning
- Utilizing eBooks for Skill Development
  - Exploring Educational eBooks
14. Embracing eBook Trends
- Integration of Multimedia Elements
  - Interactive and Gamified eBooks

### **How Motorcycle Engine Works Introduction**

How Motorcycle Engine Works Offers over 60,000 free eBooks, including many classics that are in the public domain. Open Library: Provides access to over 1 million free eBooks, including classic literature and contemporary works. How Motorcycle Engine Works Offers a vast collection of books, some of which are available for free as PDF downloads, particularly older books in the public domain. How Motorcycle Engine Works : This website hosts a vast collection of scientific articles, books, and textbooks. While it operates in a legal gray area due to copyright issues, its a popular resource for finding various publications. Internet Archive for How Motorcycle Engine Works : Has an extensive collection of digital content, including books, articles, videos, and more. It has a massive library of free downloadable books. Free-eBooks How Motorcycle Engine Works Offers a diverse range of free eBooks across various genres. How Motorcycle Engine Works Focuses mainly on educational books, textbooks, and business books. It offers free PDF downloads for educational purposes. How Motorcycle Engine Works Provides a large selection of free eBooks in different genres, which are available for download in various formats, including PDF. Finding specific How Motorcycle Engine Works, especially related to How Motorcycle Engine Works, might be challenging as theyre often artistic creations rather than practical blueprints. However, you can explore the following steps to search for or create your own Online Searches: Look for websites, forums, or blogs dedicated to How Motorcycle Engine Works, Sometimes enthusiasts share their designs or concepts in PDF format. Books and Magazines Some How Motorcycle Engine Works books or magazines might include. Look for these in online stores or libraries. Remember that while How Motorcycle Engine Works, sharing copyrighted material without permission is not legal. Always ensure youre either creating your own or obtaining them from legitimate sources that allow sharing and downloading. Library Check if your local library offers eBook lending services. Many libraries have digital catalogs where you can borrow How Motorcycle Engine Works eBooks for free, including popular titles. Online Retailers: Websites like Amazon, Google Books, or Apple Books often sell eBooks. Sometimes, authors or publishers offer promotions or free periods for certain books. Authors Website

Occasionally, authors provide excerpts or short stories for free on their websites. While this might not be the How Motorcycle Engine Works full book, it can give you a taste of the authors writing style. Subscription Services Platforms like Kindle Unlimited or Scribd offer subscription-based access to a wide range of How Motorcycle Engine Works eBooks, including some popular titles.

### **FAQs About How Motorcycle Engine Works Books**

How do I know which eBook platform is the best for me? Finding the best eBook platform depends on your reading preferences and device compatibility. Research different platforms, read user reviews, and explore their features before making a choice. Are free eBooks of good quality? Yes, many reputable platforms offer high-quality free eBooks, including classics and public domain works. However, make sure to verify the source to ensure the eBook credibility. Can I read eBooks without an eReader? Absolutely! Most eBook platforms offer webbased readers or mobile apps that allow you to read eBooks on your computer, tablet, or smartphone. How do I avoid digital eye strain while reading eBooks? To prevent digital eye strain, take regular breaks, adjust the font size and background color, and ensure proper lighting while reading eBooks. What the advantage of interactive eBooks? Interactive eBooks incorporate multimedia elements, quizzes, and activities, enhancing the reader engagement and providing a more immersive learning experience. How Motorcycle Engine Works is one of the best book in our library for free trial. We provide copy of How Motorcycle Engine Works in digital format, so the resources that you find are reliable. There are also many Ebooks of related with How Motorcycle Engine Works. Where to download How Motorcycle Engine Works online for free? Are you looking for How Motorcycle Engine Works PDF? This is definitely going to save you time and cash in something you should think about. If you trying to find then search around for online. Without a doubt there are numerous these available and many of them have the freedom. However without doubt you receive whatever you purchase. An alternate way to get ideas is always to check another How Motorcycle Engine Works. This method for see exactly what may be included and adopt these ideas to your book. This site will almost certainly help you save time and effort, money and stress. If you are looking for free books then you really should consider finding to assist you try this. Several of How Motorcycle Engine Works are for sale to free while some are payable. If you arent sure if the books you would like to download works with for usage along with your computer, it is possible to download free trials. The free guides make it easy for someone to free access online library for download books to your device. You can get free download on free trial for lots of books categories. Our library is the biggest of these that have literally hundreds of thousands of different products categories represented. You will also see that there are specific sites catered to different product types or categories, brands or niches related with How Motorcycle Engine Works. So depending on what exactly you are searching,

you will be able to choose e books to suit your own need. Need to access completely for Campbell Biology Seventh Edition book? Access Ebook without any digging. And by having access to our ebook online or by storing it on your computer, you have convenient answers with How Motorcycle Engine Works To get started finding How Motorcycle Engine Works, you are right to find our website which has a comprehensive collection of books online. Our library is the biggest of these that have literally hundreds of thousands of different products represented. You will also see that there are specific sites catered to different categories or niches related with How Motorcycle Engine Works So depending on what exactly you are searching, you will be able to choose ebook to suit your own need. Thank you for reading How Motorcycle Engine Works. Maybe you have knowledge that, people have search numerous times for their favorite readings like this How Motorcycle Engine Works, but end up in harmful downloads. Rather than reading a good book with a cup of coffee in the afternoon, instead they juggled with some harmful bugs inside their laptop. How Motorcycle Engine Works is available in our book collection an online access to it is set as public so you can download it instantly. Our digital library spans in multiple locations, allowing you to get the most less latency time to download any of our books like this one. Merely said, How Motorcycle Engine Works is universally compatible with any devices to read.

### **Find How Motorcycle Engine Works :**

**97-2089 Instagram growth best practices United States 97-2224 Instagram step for startups 97-1220 wearable technology strategies America 97-1881 business 97-190 personal finance explained for startups 97-564 personal 97-458 luxury travel roadmap for entrepreneurs 97-1845 luxury travel strategies for startups 97-2073 AI marketing tips America 97-71 AI America 97-705 stock market guide USA 97-444 stock market guide for America 97-1437 crypto investing case study America 97-2958 crypto basics tools for small business 97-2794 machine learning basics trends entrepreneurs 97-1447 luxury travel tips for entrepreneurs 97-2366 strategies for creators 97-2319 content marketing tips USA 97-270 America 97-1716 chatbot development checklist United States 97-820 tips for entrepreneurs 97-2397 affiliate marketing tips for startups electric vehicles guide USA 97-1786 electric vehicles guide for creators explained for small business 97-112 remote work explained for startups computing checklist for small business 97-2407 cloud computing checklist**

### **How Motorcycle Engine Works :**

*d3c d4c and d5c series iii power shift transmission* - Nov 26 2022

web manual d3c d4c and d5c series iii track type tractor form no sebu6731 systems operation note for systems operation and troubleshooting make reference to systems operation d3c d4c and d5c series iii tractor powertrain senr5335 specifications note for specifications with illustrations make reference to specifications d3c d4c

**caterpillar d3c d4c d5c series iii hystat crawler service** - Dec 28 2022

web description caterpillar d3c d4c d5c series iii hystat crawler 17 in 1 service manual set in downloadable pdf format factory service information for the cat d3c d4c d5c series iii hystat crawler dozers with serial prefixes 4ks 4ts 5gs 4ls 6bs 8cs 5hs 6cs and 7ps 17 manuals are included in the set which covers specifications

**caterpillar d3 bulldozer parts ams construction parts** - Feb 15 2022

web 1363156 9j8698 get quote bearing kit d3 engines get quote bearings d3 final drives get quote bell housing d3 engines get quote blade d3 attachments get quote bottom roller d3 undercarriages s f cr3000 wt 47 3 d f cr3001 wt 52 4 get quote brakes d3 brakes get quote c frame d3 attachments get quote cab shell d3

**scene7** - Feb 27 2023

web dec 1 2020 find the right parts for your cat small dozer with this handy reference guide from scene7 learn about the features and specifications of the d1 d2 and d3 models

caterpillar d3c crawler parts diagrams jacks small engines - May 01 2023

web amps 12v 4 5 beam style flood beam dimensions 3 5 x 6 0 diode manufacturer cree led installation plug play connection lens material polycarbonate location fender rear location mid body lumen range 3000 3999 raw lumens 3150 shape rectangular volts 9 32v waterproof rating ip67 wa

**caterpillar d3c series iii crawler tractor ritchiespecs** - Mar 19 2022

web 1992 cat d5h lgp series ii crawler dozer view updated caterpillar d3c series iii crawler tractor specs get dimensions size weight detailed specifications and compare to similar crawler tractor models

*d3c ii track type tractor caterpillar parts catalog sis online* - Oct 26 2022

web sebp1936 engine arrangement basic engine service equipment and supplies lubrication system cooling system electrical and starting system air inlet and exhaust system fuel system power train operator station frame and body undercarriage steering and

specalog for cat d3 dozers aehq8307 03 scene7 - Jun 21 2022

web aug 6 2020 cat d3 dozer features the cat d3 delivers superior performance and the broadest choice of technology

features to help you get the most from your dozer nimble and responsive it has power for dozing and finesse for grading fully hydrostatic transmission gives you seamless acceleration so you can get the job done quickly

**caterpillar d3c track type tractor parts manual pdf** - Apr 19 2022

web this caterpillar d3c track type tractor parts manual pdf download provides detailed illustrations parts name it was 868 pages same as oem manual i printed pages from this pdf easily i m sad they didn t have the wiring diagram manual to go with it jd 3754d fleetwood mac 2021 11 29

*caterpillar d3c iii track type tractor spare parts for caterpillar* - Aug 04 2023

web caterpillar d3c iii track type tractor spare parts for caterpillar d3c iii online catalog 777parts

**caterpillar d3c crawler cooling system components parts diagram** - Jan 29 2023

web caterpillar d3c crawler cooling system components parts diagram cooling system components electrical components filters flood beam light reference guide

caterpillar d3c bulldozer parts ams construction parts - Jul 03 2023

web caterpillar d3c bulldozer parts new aftermarket used and rebuilt d3c parts looking for caterpillar d3c bulldozer parts you ve come to the right place we sell a wide range of new aftermarket used and rebuilt d3c replacement parts to get your machine back up and running quickly

*buy cat d3b track type tractor parts for repair* - Sep 24 2022

web buy cat d3b track type tractor parts for repair maintenance convenient d3b track type tractor parts packages for common maintenance and repairs purchase all the necessary parts and tools to service your machine

**caterpillar manuals parts service repair and owners manuals** - May 21 2022

web our parts manuals will help you see schematics and oem part numbers for re ordering our operator manuals will help you know exactly how to run your machine our service manuals will provide you with the detailed instructions and specifications you need to

**caterpillar d3c lgp bulldozer parts ams construction parts** - Aug 24 2022

web we sell a wide range of new aftermarket used and rebuilt d3c lgp replacement parts to get your machine back up and running quickly give us a call submit an online quote request or select a category below to browse select a part click to start a caterpillar d3c lgp part quote online or call 1 800 255 6253 prices shown are estimates and will

*spec d3c pdf transmission mechanics horsepower scribd* - Jul 23 2022

web plus your cat dealer has most parts you will ever need for your cat equipment right on the shelf if not the dealers worldwide computerized network will immediately find the closest location of the part you need minimizing your downtime when you need more details about the d3c contact you cat dealer youll find hes easy to talk to

**operation and maintenance manual catpublications com** - Jun 02 2023

web d3c series iii d4c series iii d5c series iii hystat track type tractors scan to find and purchase genuine cat parts and related service information i00056692 important safety information most accidents that involve product operation maintenance and repair are caused by failure to observe basic safety rules or precautions

**parts service manuals cat caterpillar** - Sep 05 2023

web cat service parts and operation and maintenance manuals we have everything you need to keep your cat equipment performing whether you need genuine cat parts service and parts manuals or if you would like to contact your local cat dealer for support we make it easy to keep your cat equipment running

**cat parts store order genuine parts tools from caterpillar** - Mar 31 2023

web search and buy cat parts for your equipment shop by category part number or serial number to find the parts you need to repair and maintain your equipment

**cat parts lookup by serial number parts manuals diagrams** - Oct 06 2023

web enter your cat machine or engine serial number to lookup and buy the parts you need browse caterpillar parts manuals and diagrams

**chevalier e d m electrical discharge machine 2022** - Feb 26 2022

web you habit currently this chevalier e d m electrical discharge machine as one of the most practicing sellers here will agreed be in the midst of the best options to review chevalier e d m electrical discharge machine 2020 01 13 brynn kirk regional industrial buying guide editions didier millet this volume comprises select peer

**chevalier edm machines for sale new used** - Aug 15 2023

web the 1 place to find new and used chevalier edm machines for sale buy or sell machinery equipment quickly easily machinesales com

*electrical discharge machines chevalier unimachines* - Feb 09 2023

web electrical discharge machines chevalier manufacturer 2002 norte hs 80 2 accutex 5 aeg 6 aeg elotherm 1 agema 1 agie 57 agie charmilles 9 agiecharmilles 1 agiecut 5 anotronic 2 astec 1 automatic anodising line by sts b 2 baoma 2 belmont 2 brother 1 cdm 1 chang feng 1

chevalier e d m electrical discharge machine book - Oct 05 2022

web chevalier e d m electrical discharge machine unveiling the energy of verbal beauty an psychological sojourn through chevalier e d m electrical discharge machine in a global inundated with monitors and the cacophony of instant connection the profound energy and

chevalier e d m electrical discharge machine pdf uniport edu - Jul 02 2022

web apr 26 2023 merely said the chevalier e d m electrical discharge machine is universally compatible following any devices to read journal of the society of telegraph engineers and of electricians 1897 includes the society s list

*chevalier e d m electrical discharge machine pdf pdf* - Apr 30 2022

web chevalier e d m electrical discharge machine pdf upload arnold e ferguson 1 2 downloaded from voto uncal edu br on july 31 2023 by arnold e ferguson chevalier e d m electrical discharge machine pdf in some sort of inundated with monitors and the cacophony of instantaneous transmission the profound power and mental resonance of

chevalier e d m electrical discharge machine pdf uniport edu - Jun 01 2022

web jun 26 2023 chevalier e d m electrical discharge machine 1 8 downloaded from uniport edu ng on june 26 2023 by guest chevalier e d m electrical discharge machine eventually you will totally discover a other experience and triumph by spending more cash nevertheless when get you resign yourself to that you

*chevalier e d m electrical discharge machine darelova* - Jan 28 2022

web may 20 2023 chevalier e d m electrical discharge machine search metadata search text contents search tv news captions search archived web sites advanced search militaria mart features a reputable dealer directory and resource site for collectors of militaria watch amateur porn videos amateur sex movies on abdula porn every day

**chevalier ram sinker edm machines for sale** - Mar 10 2023

web the 1 place to find new and used chevalier ram sinker edm machines for sale buy or sell machinery equipment quickly easily machinesales com

**chevalier e d m electrical discharge machine** - Dec 07 2022

web fundamental studies of wire breakage in the wire electrical discharge machining w e d m process feb 18 2020 electrical discharge machining edm apr 26 2023 electrical discharge machining edm is one of the earliest and most widely used non conventional machining processes

**electrical discharge machines edm mitsubishi electric global website** - Nov 06 2022

web electrical discharge machines edm home contact electrical discharge machines edm select a country region to find the local website or send product inquiry

**electrical discharge machine edm pdf pdf machining** - May 12 2023

web this machine was used to drill hole on the tool steel for experiment in the electrical discharge machining process brand model no of axis sodick cnc edm die sink aq55l 3 axes x y z figure 3 4 1 edm machine 2 balance brand model resolution precisa 92sm 202a dr 10 nanogram

**chevalier e d m electrical discharge machine asbjorn jokstad** - Mar 30 2022

web broadcast as without difficulty as insight of this chevalier e d m electrical discharge machine can be taken as skillfully as

picked to act materials for total joint arthroplasty robert sonntag 2015 10 14 the replacement of a degenerated joint such as the hip and knee is one of the most outstanding interventions that allows the medical

**electrical discharge machining wikipedia** - Jan 08 2023

web electrical discharge machining edm also known as spark machining spark eroding die sinking wire burning or wire erosion is a metal fabrication process whereby a desired shape is obtained by using electrical discharges sparks

*chevalier e d m electrical discharge machine pdf* - Sep 04 2022

web oct 14 2022 chevalier e d m electrical discharge machine 1 10 downloaded from staging friends library org on october 14 2022 by guest chevalier e d m electrical discharge machine this is likewise one of the factors by obtaining the soft documents of this chevalier e d m electrical discharge machine by online you might not require

[chevalier ed 203 electric discharge machines machinery](#) - Apr 11 2023

web chevalier ed 203 electric discharge machines conventional ram type sinker overview description specifications category edm tool room grinding manufacturer chevalier

**chevalier e d m electrical discharge machine secure4 khronos** - Aug 03 2022

web jun 18 2023 chevalier e d m electrical discharge machine by online our electronic archives hosts in multiple sites permitting you to receive the lowest response time to download any of our books like this one we disburse for chevalier e d m electrical discharge machine and numerous books selections from fictions to scientific researchh

*chevalier 20 amp precision tool room electric discharge machine* - Jun 13 2023

web find many great new used options and get the best deals for chevalier 20 amp precision tool room electric discharge machine edm at the best online prices at ebay free shipping for many products

*chevalier e d m electrical discharge machine book* - Jul 14 2023

web chevalier e d m electrical discharge machine electrical discharge machining for the secondary school mar 04 2023 advances in manufacturing technology jun 02 2020 this volume comprises select papers presented at the international conference on advances in manufacturing technology icamt 2018 it includes contributions

**chevalier e d m electrical discharge machine banpaen** - Dec 27 2021

web jun 9 2023 if you enterprise to download and set up the chevalier e d m electrical discharge machine it is thoroughly easy then at present we extend the associate to buy and create bargains to fetch and implement chevalier e d m electrical discharge machine therefore straightforward

**illustrated dental embryology histology and an** - Jul 13 2023

web nov 1 2019 illustrated dental embryology histology anatomy 5th edition is the ideal introduction to one of the most foundational areas in the dental professions

*illustrated dental embryology histology and anatomy 3rd edition* - Nov 05 2022

web offers concise and comprehensive coverage of orofacial embryology oral histology and dental anatomy while also providing a brief introduction to dental structures the clearly

*illustrated dental embryology histology and anatomy 3rd edition* - Jan 07 2023

web apr 11 2014 featuring detailed illustrations and full color photographs illustrated dental embryology histology and anatomy 3rd edition provides a complete look at dental

illustrated dental embryology histology and anatomy 4th - Feb 25 2022

*illustrated dental embryology histology and anatomy* - May 11 2023

web dec 9 2011 illustrated dental embryology histology and anatomy 3rd edition m bath balogh m j fehrenbach uk elsevier price 47 99 pp 344 isbn 978 1 43771 730 3

*illustrated dental embryology histology and* - Dec 26 2021

**illustrated dental embryology histology and anatomy** - Dec 06 2022

web illustrated dental embryology histology anatomy 5th edition is the ideal introduction to one of the most foundational areas in the dental professions understanding the

**illustrated dental embryology histology and anatomy** - Apr 29 2022

web featuring detailed illustrations and full color photographs illustrated dental embryology histology and anatomy 3rd edition provides a complete look at dental anatomy

**illustrated dental embryology histology and anatomy** - Jun 12 2023

web feb 2 2015 featuring a full color review of dental structures illustrated dental embryology histology and anatomy 4th edition provides a complete look at the

**illustrated dental embryology histology and anatomy 5th ed** - Jan 27 2022

illustrated dental embryology histology and anatomy - Aug 14 2023

web jan 21 2015 featuring a full color review of dental structures illustrated dental embryology histology and anatomy 4th edition provides a complete look at the

*illustrated dental embryology histology and anatomy* - Apr 10 2023

web unit i a review of dental structures is a basic recap of soft and hard tissue landmarks unit ii details dental embryology and systematically discusses the process of development

**illustrated dental embryology histology and anatomy** - Oct 24 2021

illustrated dental embryology histology and anatomy - Feb 08 2023

web illustrated dental embryology histology anatomy 5th edition is the ideal introduction to one of the most foundational areas in the dental professions understanding the

**illustrated dental embryology histology and anatomy e book** - Mar 09 2023

web illustrated dental embryology histology anatomy 5th edition is the ideal introduction to one of the most foundational areas in the dental professions understanding the

*illustrated dental embryology histology and anatomy open library* - Mar 29 2022

illustrated dental embryology histology and anatomy e book - May 31 2022

web feb 19 2015 elsevier ebook on vitalsource featuring a full color review of dental structures illustrated dental embryology histology and anatomy 4th edition

**illustrated dental embryology histology and anatomy 5th** - Oct 04 2022

web feb 28 2023 master the content from your textbook with this helpful study tool corresponding to the chapters in illustrated dental embryology histology and

illustrated dental embryology histology and anatomy elsevier - Nov 24 2021

**illustrated dental embryology** - Sep 03 2022

web featuring a full color review of dental structures illustrated dental embryology histology and anatomy 4th edition provides a complete look at the development

illustrated dental embryology histology and an - Aug 02 2022

web find many great new used options and get the best deals for illustrated dental embryology histology and anatomy 5th ed workbook at the best online prices at

*illustrated dental embryology histology and anatomy e book* - Jul 01 2022

web posted by u popular book 8221 1 vote and no comments