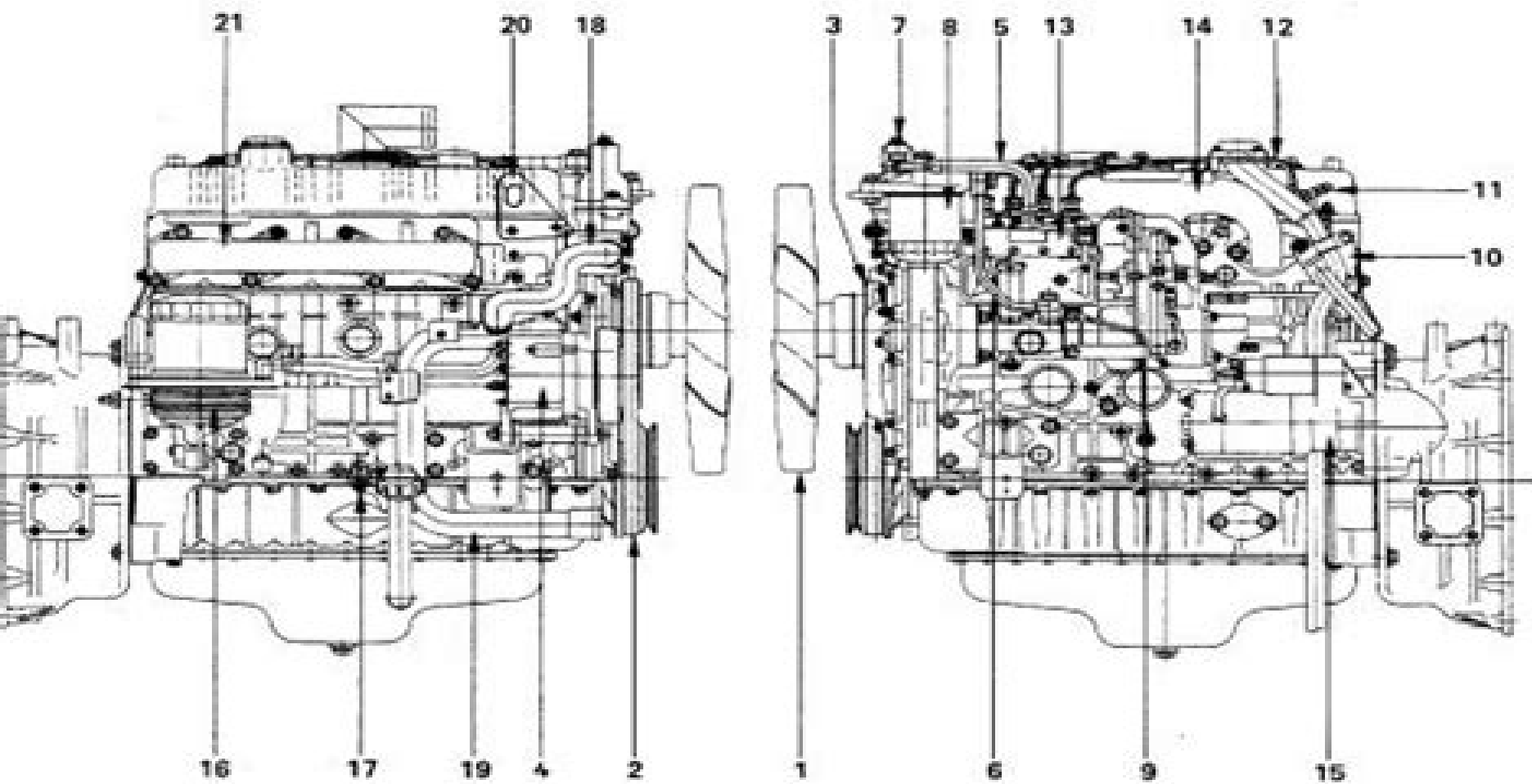


# SERVICE MANUAL

## 4JB1 ISUZU

### ENGINES



# Isuzu Diesel Engine Service Manual

**LP Steffe**



## **Isuzu Diesel Engine Service Manual:**

## **Isuzu Diesel Engine Service Manual** Book Review: Unveiling the Magic of Language

In a digital era where connections and knowledge reign supreme, the enchanting power of language has been apparent than ever. Its power to stir emotions, provoke thought, and instigate transformation is truly remarkable. This extraordinary book, aptly titled "**Isuzu Diesel Engine Service Manual**," written by a highly acclaimed author, immerses readers in a captivating exploration of the significance of language and its profound effect on our existence. Throughout this critique, we will delve into the book's central themes, evaluate its unique writing style, and assess its overall influence on its readership.

[https://py.bijouxmedusa.com/results/publication/index.jsp/review\\_for\\_entrepreneurs\\_99\\_2494\\_dropshipping\\_business\\_review\\_for\\_small.pdf](https://py.bijouxmedusa.com/results/publication/index.jsp/review_for_entrepreneurs_99_2494_dropshipping_business_review_for_small.pdf)

### **Table of Contents Isuzu Diesel Engine Service Manual**

1. Understanding the eBook Isuzu Diesel Engine Service Manual
  - The Rise of Digital Reading Isuzu Diesel Engine Service Manual
  - Advantages of eBooks Over Traditional Books
2. Identifying Isuzu Diesel Engine Service Manual
  - Exploring Different Genres
  - Considering Fiction vs. Non-Fiction
  - Determining Your Reading Goals
3. Choosing the Right eBook Platform
  - Popular eBook Platforms
  - Features to Look for in an Isuzu Diesel Engine Service Manual
  - User-Friendly Interface
4. Exploring eBook Recommendations from Isuzu Diesel Engine Service Manual
  - Personalized Recommendations
  - Isuzu Diesel Engine Service Manual User Reviews and Ratings
  - Isuzu Diesel Engine Service Manual and Bestseller Lists

5. Accessing Isuzu Diesel Engine Service Manual Free and Paid eBooks
  - Isuzu Diesel Engine Service Manual Public Domain eBooks
  - Isuzu Diesel Engine Service Manual eBook Subscription Services
  - Isuzu Diesel Engine Service Manual Budget-Friendly Options
6. Navigating Isuzu Diesel Engine Service Manual eBook Formats
  - ePub, PDF, MOBI, and More
  - Isuzu Diesel Engine Service Manual Compatibility with Devices
  - Isuzu Diesel Engine Service Manual Enhanced eBook Features
7. Enhancing Your Reading Experience
  - Adjustable Fonts and Text Sizes of Isuzu Diesel Engine Service Manual
  - Highlighting and Note-Taking Isuzu Diesel Engine Service Manual
  - Interactive Elements Isuzu Diesel Engine Service Manual
8. Staying Engaged with Isuzu Diesel Engine Service Manual
  - Joining Online Reading Communities
  - Participating in Virtual Book Clubs
  - Following Authors and Publishers Isuzu Diesel Engine Service Manual
9. Balancing eBooks and Physical Books Isuzu Diesel Engine Service Manual
  - Benefits of a Digital Library
  - Creating a Diverse Reading Collection Isuzu Diesel Engine Service Manual
10. Overcoming Reading Challenges
  - Dealing with Digital Eye Strain
  - Minimizing Distractions
  - Managing Screen Time
11. Cultivating a Reading Routine Isuzu Diesel Engine Service Manual
  - Setting Reading Goals Isuzu Diesel Engine Service Manual
  - Carving Out Dedicated Reading Time
12. Sourcing Reliable Information of Isuzu Diesel Engine Service Manual
  - Fact-Checking eBook Content of Isuzu Diesel Engine Service Manual
  - Distinguishing Credible Sources
13. Promoting Lifelong Learning

- Utilizing eBooks for Skill Development
  - Exploring Educational eBooks
14. Embracing eBook Trends
- Integration of Multimedia Elements
  - Interactive and Gamified eBooks

### **Isuzu Diesel Engine Service Manual Introduction**

In today's digital age, the availability of Isuzu Diesel Engine Service Manual books and manuals for download has revolutionized the way we access information. Gone are the days of physically flipping through pages and carrying heavy textbooks or manuals. With just a few clicks, we can now access a wealth of knowledge from the comfort of our own homes or on the go. This article will explore the advantages of Isuzu Diesel Engine Service Manual books and manuals for download, along with some popular platforms that offer these resources. One of the significant advantages of Isuzu Diesel Engine Service Manual books and manuals for download is the cost-saving aspect. Traditional books and manuals can be costly, especially if you need to purchase several of them for educational or professional purposes. By accessing Isuzu Diesel Engine Service Manual versions, you eliminate the need to spend money on physical copies. This not only saves you money but also reduces the environmental impact associated with book production and transportation. Furthermore, Isuzu Diesel Engine Service Manual books and manuals for download are incredibly convenient. With just a computer or smartphone and an internet connection, you can access a vast library of resources on any subject imaginable. Whether you're a student looking for textbooks, a professional seeking industry-specific manuals, or someone interested in self-improvement, these digital resources provide an efficient and accessible means of acquiring knowledge. Moreover, PDF books and manuals offer a range of benefits compared to other digital formats. PDF files are designed to retain their formatting regardless of the device used to open them. This ensures that the content appears exactly as intended by the author, with no loss of formatting or missing graphics. Additionally, PDF files can be easily annotated, bookmarked, and searched for specific terms, making them highly practical for studying or referencing. When it comes to accessing Isuzu Diesel Engine Service Manual books and manuals, several platforms offer an extensive collection of resources. One such platform is Project Gutenberg, a nonprofit organization that provides over 60,000 free eBooks. These books are primarily in the public domain, meaning they can be freely distributed and downloaded. Project Gutenberg offers a wide range of classic literature, making it an excellent resource for literature enthusiasts. Another popular platform for Isuzu Diesel Engine Service Manual books and manuals is Open Library. Open Library is an initiative of the Internet Archive, a non-profit organization dedicated to digitizing cultural artifacts and making them accessible to the public. Open Library hosts millions of books, including both public domain works and

contemporary titles. It also allows users to borrow digital copies of certain books for a limited period, similar to a library lending system. Additionally, many universities and educational institutions have their own digital libraries that provide free access to PDF books and manuals. These libraries often offer academic texts, research papers, and technical manuals, making them invaluable resources for students and researchers. Some notable examples include MIT OpenCourseWare, which offers free access to course materials from the Massachusetts Institute of Technology, and the Digital Public Library of America, which provides a vast collection of digitized books and historical documents. In conclusion, Isuzu Diesel Engine Service Manual books and manuals for download have transformed the way we access information. They provide a cost-effective and convenient means of acquiring knowledge, offering the ability to access a vast library of resources at our fingertips. With platforms like Project Gutenberg, Open Library, and various digital libraries offered by educational institutions, we have access to an ever-expanding collection of books and manuals. Whether for educational, professional, or personal purposes, these digital resources serve as valuable tools for continuous learning and self-improvement. So why not take advantage of the vast world of Isuzu Diesel Engine Service Manual books and manuals for download and embark on your journey of knowledge?

### **FAQs About Isuzu Diesel Engine Service Manual Books**

How do I know which eBook platform is the best for me? Finding the best eBook platform depends on your reading preferences and device compatibility. Research different platforms, read user reviews, and explore their features before making a choice. Are free eBooks of good quality? Yes, many reputable platforms offer high-quality free eBooks, including classics and public domain works. However, make sure to verify the source to ensure the eBook credibility. Can I read eBooks without an eReader? Absolutely! Most eBook platforms offer web-based readers or mobile apps that allow you to read eBooks on your computer, tablet, or smartphone. How do I avoid digital eye strain while reading eBooks? To prevent digital eye strain, take regular breaks, adjust the font size and background color, and ensure proper lighting while reading eBooks. What the advantage of interactive eBooks? Interactive eBooks incorporate multimedia elements, quizzes, and activities, enhancing the reader engagement and providing a more immersive learning experience. Isuzu Diesel Engine Service Manual is one of the best book in our library for free trial. We provide copy of Isuzu Diesel Engine Service Manual in digital format, so the resources that you find are reliable. There are also many Ebooks of related with Isuzu Diesel Engine Service Manual. Where to download Isuzu Diesel Engine Service Manual online for free? Are you looking for Isuzu Diesel Engine Service Manual PDF? This is definitely going to save you time and cash in something you should think about.

**Find Isuzu Diesel Engine Service Manual :**

review for entrepreneurs 99-2494 dropshipping business review for small  
**for small business 99-989 blockchain development software United States**  
**entrepreneurs 99-859 coding for beginners tutorial for small business**  
**minimalist lifestyle checklist for creators 99-1522 minimalist lifestyle**  
*productivity hacks tools United States 99-1267 productivity hacks tools*  
*blueprint America 99-1766 stock market blueprint for creators 99-971*  
*99-2302 small business ideas for beginners USA 99-1951 small business*  
*startups 99-396 retirement planning strategies for creators 99-2108*  
*blueprint United States 99-1075 YouTube growth blueprint for small*  
*ideas for startups 99-2701 coding for beginners review America 99-1631*  
*99-2588 smart home tech tips for creators 99-1640 smart home tech tips*  
*step by step for startups 99-2616 print on demand tips USA 99-1586 print*  
**creators 99-1471 luxury travel roadmap for entrepreneurs 99-2737 luxury**  
*99-1375 self improvement apps for creators 99-1536 self improvement apps*  
**writing roadmap for creators 99-829 resume writing roadmap for small**

**Isuzu Diesel Engine Service Manual :**

*electronic sensor circuits and projects paperback amazon in - Jun 01 2022*  
web electronic sensor circuits and projects mims forrest m iii amazon in books books children s young adult buy new 2 243  
00 m r p 18 000 00 save 15 757 00  
*200 electronic circuits simple circuits and mini projects - Apr 11 2023*  
web jun 12 2023 below is our huge collection of 200 free electronic circuits that you can build today july 12 2023 how to  
build a nand gate with transistors in the realm of digital electronics and logic circuits the nand gates stands as a july 10 2023  
how to build an xor gate with transistors  
*electronic sensor circuits projects pdf scribd - Apr 30 2022*  
web lye r notebook atta 4 1 sensor circuits i a build projects that detect moving air smile secret lc pmp ic e tc 4 at 9 vibration  
movement oe cr lia cu utelitg magnetic fields use sensors to trigger relays cma arelee mer laccle cum eli g control a tone  
monitor your pc cpn m emis yee mae eed radioshack circuit

20 simple electronics projects and circuits for beginners - Aug 15 2023

web mar 1 2022 this article is a collection of simple electronics circuits we have published over a span of 3 years which can be used as simple electronics projects for students beginners engineering students and other hobbyists the following circuits listed below can also be used for your mini project needs

**100 electronics circuits mini projects for beginners** - May 12 2023

web may 10 2023 electronics circuits 555 timer projects op amp circuits power electronics arduino projects iot projects esp8266 projects esp32 projects esp32 micropython esp32 cam projects lora lorawan projects microcontrollers stm32

projects amb82 mini iot ai camera ble projects raspberry pi raspberry pi

sensors electronic circuits design - Feb 26 2022

web this water sensor alarm circuit diagram is designed using common electronic components the water sensor alarm circuit may operate an active buzzer to make a sound when is reached a certain level of water because water sensor and control circuit for buzzer are located on the same printed circuit board indicator together with 9 v

**sensor circuits a complete guide ourpcb** - Oct 05 2022

web by default sensors measure changes in their environment to do this they generate signals representing these changes overall sensors come in various forms they include thermometers barometric pressure gauges gas detectors etc most home security systems use sensor circuits 2 the different types of sensors

**electronic sensor circuits projects volume iii engineer s mini** - Feb 09 2023

web feb 1 2004 electronic sensor circuits convert light temperature sound and other signals into a form that can be processed by electronic circuits learn about solar cells photoresistors thermistors and magnet switches

**sensors and sensor circuit design coursera** - Mar 10 2023

web in module 1 you will learn how to specify and use temperature sensors in an embedded circuit first you will learn about common types of sensors and actuators found in common products such as smart phones and automobiles

**isbn 0945053312 master publishing electronic sensor circuits** - Aug 03 2022

web electronic sensors convert light temperature sound magnetic fields and other signals into a form that can be processed by electronic circuits sensors have become an increasingly important segment of modern electronics learn about important sensors like solar cells photoresistors thermistors hall effect devices and magnet switches

*40 sensor based projects for engineering students electronics* - Oct 17 2023

web oct 10 2015 sensor based projects ideas accident prevention using eye blinking and head movement the main aim of this project is to avoid the accidents that are caused due to driver asleep this project detects the fatigue symptoms in driver eye blink sensor tilt and turing sensors

**2000 electronic circuits projects tutorials more circuitstoday** - Dec 07 2022

web may 27 2022 circuitstoday com is an effort to provide free resources on electronics for electronic students and hobbyists our webiste has thousands of circuits projects and other information you that will find interesting

**300 sensor based projects list electronics nevonprojects** - Sep 16 2023

web find the greatest variety of sensor based projects at nevonprojects these sensor based electronics use a variety of sensors to serve as industrial and domestic applications sensors are a way of interacting with the physical world and getting physical readings in

learn electronics with raspberry pi springer - Jul 02 2022

web about this book updated for the recent raspberry pi boards including the raspberry pi 4 this new edition offers an all new digital logic circuits project explaining the theory behind how digital electronics work while creating a new project for measuring temperature

electrical and electronic mini project 2023 - Jan 08 2023

web electronic sensor circuits projects oct 29 2021 includes circuit designs and explanations for projects you can build for sensors solare cells and magnet and magnet sensor projects includes many projects appropriate for science fairs 49 easy to build electronic projects feb 01 2022 electronics projects vol 21 feb 18 2021

**electronic sensor circuits projects forrest m mims iii free** - Jun 13 2023

web mar 3 2019 english electronic sensor circuits convert light temperature sound and other signals into a form that can be processed by electronic circuits learn about solar cells photoresistors thermistors and magnet switches then build circuits that respond to heat pressure light and more

**electronic sensor circuits projects paradise robotics** - Nov 06 2022

web electronic sensor circuits projects helps you learn about important sensors like solar cells photoresistors thermistors hall effect devices and magnet switches then use these sensors to build circuits and projects that respond to heat pressure light touch water strain lightning and magnets you can even make a circuit that detects

**electronic sensor circuits and projects download only** - Sep 04 2022

web electronics projects are also a great way for beginners to not only be consumers of electronics but more importantly to be able to build change and fix computers this book has 100 electronic projects they are simple to build and understand each project is followed by a circuit schematic a breadboard layout parts list and photo

**sensors projects electrical engineering electronics projects** - Jul 14 2023

web jun 4 2023 learn to build a photoelectric sensor system using an arduino uno and openplc since photoelectric sensing can be achieved with electrical electromechanical and electronic components learn to build test and implement a prototype

photoelectric switch using off the shelf components with arduino openplc march 12 2023 by don

**electroschematics circuits projects tutorials and more** - Mar 30 2022

web sep 25 2023 an electromagnetic clutch is a device that controls power and rotary movement using electromagnetic force generated by its cmos clock module t k hareendran occasionally you might need a simple clock module for various projects a small cmos clock module such as flame sensor rods t k hareendran

**philosophen des 17 jahrhunderts eine einführung zvab** - Feb 02 2023

web philosophen des 17 jahrhunderts eine einführung beim zvab com isbn 10 3896781367 isbn 13 9783896781369 primus verlag gmbh 1999 hardcover

*philosophen des 17 jahrhunderts eine einführung amazon de* - Aug 08 2023

web philosophen des 17 jahrhunderts eine einführung kreimendahl lothar isbn 9783896781369 kostenloser versand für alle bücher mit versand und verkauf duch amazon

philosophie des 17 jahrhunderts wikibrief - May 25 2022

web philosophie des 17 jahrhunderts geschichte der westlichen philosophie das fresko der schule von athen von raphael westliche philosophie nach epochen uralt mittelalterlich renaissance modern frühe neuzeit spätmoderne zeitgenössisch bis zum jahrhundert 16 17 18 19 20 21 siehe auch religiöse philosophie buddhist christian hindu islamisch

philosophen des 17 jahrhunderts eine einführung booklooker - Sep 28 2022

web philosophen des 17 jahrhunderts eine einführung bücher gebraucht antiquarisch neu kaufen preisvergleich käuferschutz wir bücher

*philosophen des 17 jahrhunderts eine einführung* - Jun 06 2023

web philosophen des 17 jahrhunderts eine einführung alle ausklappen angaben zum objekt sprache deutsch umfang vi 267 s isbn 978 3 89678 136 9 identifier 956839223 klassifikation und themen beteiligte orts und zeitangaben weitere informationen datenpartner deutsche nationalbibliothek original beim datenpartner anzeigen beteiligte

der philosoph im jahrhundert springer - Aug 28 2022

web es mag sich aufdrängen und fürs erste auch die einzig erfolgversprechende zugangsweise sein um den philosophen des 17 jahrhunderts in denblick zu bekommen dass wirmoderne vorstellungen mobilisieren und uns zurechtlegen wie uns denn heute philosophen begegnen die frage was erzu leisten hat wenn er sich soll einen

**philosophen des 17 jahrhunderts eine einführung pdf wrbb neu** - Oct 30 2022

web die deutsche schulmetaphysik des 17 jahrhunderts walter de gruyter studienarbeit aus dem jahr 2015 im fachbereich philosophie philosophie des 17 und 18 jahrhunderts note 1 7 universität koblenz landau sprache deutsch abstract diese arbeit soll sich vordergründig mit der frage befassen woher sämtliche erkenntnis des menschen

**philosophen des 17 jahrhunderts eine einfuehrung** - May 05 2023

web philosophen des 17 jahrhunderts eine einfuehrung kreimendahl lothar hg isbn 9783534137176 kostenloser versand für alle bücher mit versand und verkauf duch amazon

*der philosoph im 17 jahrhundert springerlink* - Jan 01 2023

web es mag sich aufdrängen und fürs erste auch die einzig erfolgversprechende zugangsweise sein um den philosophen des 17 jahrhunderts in den blick zu bekommen dass wir moderne vorstellungen mobilisieren und uns zurechtlegen wie uns

*philosophen des 17 jahrhunderts eine einfuehrung rudolf eisler* - Apr 23 2022

web allowing you to get the most less latency epoch to download any of our books taking into consideration this one merely said the philosophen des 17 jahrhunderts eine einfuehrung is universally compatible subsequent to any devices to read einfuehrung in die philosophie victor kraft 2023 03 11

**philosophen des 17 jahrhunderts eine einfuehrung worldcat org** - Jul 07 2023

web philosophen des 17 jahrhunderts eine einfuehrung worldcat org

**17th century in philosophy wikipedia** - Mar 23 2022

web february 21 1677 baruch spinoza dutch philosopher born 1632 11 1662 blaise pascal french mathematician and philosopher born 1623 1675 emanuele tesaurò italian philosopher rhetorician literary theorist dramatist marinist poet and historian born 1592 1699 edward stillingfleet a critic of locke

**philosophen des 17 jahrhunderts eine einfuehrung pdf** - Sep 09 2023

web und aufklärung gegeben zum 70 geburtstag von hans gert roloff präsentiert der vorliegende band 21 studien die der jubilar zwischen 1967 und 1998 der deutschen literatur des 16 jahrhunderts gewidmet hat in ihrer exemplarischen repräsentanz stellen diese kleinen schriften einen vorlauf zu einer literaturgeschichte der mittleren deutschen

**kategorie philosoph 17 jahrhundert wikipedia** - Mar 03 2023

web einträge in der kategorie philosoph 17 jahrhundert folgende 178 einträge sind in dieser kategorie von 178 insgesamt a andrzej abrek andrzej abrek der jüngere antonius aemilius franz albert aepinus ignaz agricola christian alander louis charles d albert henning arnisaeus filippo arrighetti niccolò arrighetti schriftsteller b camillo baldi

*philosophen des 17 jahrhunderts eine einfuehrung pdf* - Jul 27 2022

web jun 16 2023 philosophen des 17 jahrhunderts eine einfuehrung below einfuehrung in kants maximenethik olivia mazur 2017 09 06 essay aus dem jahr 2017 im fachbereich philosophie philosophie des 17 und 18 jahrhunderts universität wien veranstaltung einfuehrung in die religionsethik sprache deutsch abstract diese arbeit gibt eine

philosophen des 17 jahrhunderts eine einfuehrung download - Feb 19 2022

web philosophen des 18 jahrhunderts lothar kreimendahl 2000 john locke zur einfuehrung walter euchner 2017 03 07 john

locke 1632 1704 war ein intellektueller der die geistigen politischen und wirtschaftlichen tendenzen seiner zeit nicht nur genau beobachtete sondern als politikberater und inhaber politischer

*philosophen des 17 jahrhunderts eine einführung* - Oct 10 2023

web *philosophen des 17 jahrhunderts eine einführung* worldcat org

**philosophen des 17 jahrhunderts eine einführung** - Apr 04 2023

web *philosophen des 17 jahrhunderts eine einführung* inproceedings kreimendahl1999philosophend1 title *philosophen des 17 jahrhunderts eine einführung* author lothar kreimendahl year 1999 url api.semanticscholar.org/corpusid/171556224 kreimendahl published

**philosophen des 17 jahrhunderts eine einführung** - Nov 30 2022

web sie können festlegen ob einer der suchbegriffe eine genaue wortfolge oder alle suchbegriffe in den ergebnissen vorkommen sollen zudem können sie wählen in welchen feldern sie suchen möchten hilfe erweiterte suche suchfelder verknüpfen und oder suchbereich titel titel beschreibung person organisation ort schlagwort

*philosophen des 17 jahrhunderts philosophie magazin* - Jun 25 2022

web ludwig wittgenstein anzeige découvrez les philosophes des 17<sup>e</sup> siècle liste complète et bios de ces philosophes avec philomag

**le peintre peter doig pose son regard sur les collections du** - Oct 18 2021

web 2 days ago voilà peter doig né en 1959 à l'affiche du musée d'orsay lequel consacre au même moment un accrochage aux derniers mois du néerlandais à auvers sur oise quinze ans que le peintre écossais longtemps basé à trinité et tobago dans les caraïbes n'avait pas fait l'objet d'une exposition en france celle-ci a la

**peter doig artanddesign the guardian** - Jan 21 2022

web mar 12 2023 artist peter doig victorious as court agrees 10m painting is not his work scottish painter faced a lawsuit after he refused to authenticate the 40 year old piece signed pete doige when

**peter doig saatchi gallery** - May 05 2023

web grasshopper peter doig based on the viewpoint of an insect whose perception of the world is found at ground level peter doig created the grasshopper using three equally spaced bands that command its composition broadly coloured yet intricately detailed this device appears to mimic the geological strata which construct the earth

**exhibition peter doig musée d'orsay** - Jun 25 2022

web peter doig is regarded as one of the greatest living painters for this remarkable counterpoint to works from musée d'orsay's collections he's chosen a number of his own major canvases that relate to modernist concerns to do

[peter doig the courtauld](#) - Jan 01 2023

web may 29 2023 a major exhibition of new and recent works by peter doig including paintings and works on paper created since the artist s move from trinidad to london in 2021 will open at the courtauld gallery from 10 feb 29 may 2023

*peter doig artnet* - Jul 07 2023

web peter doig is a contemporary scottish artist celebrated as one of the most important representational painters working today view peter doig s 1 395 artworks on artnet find an in depth biography exhibitions original artworks

*christies 10 things to know about peter doig* - Mar 03 2023

web mar 2 2017 10 things to know about peter doig ben luke surveys the influential oeuvre of the trinidad based painters painter including two works offered in our post war and contemporary art evening auction in march 2017 artist makers *the mythical stories in peter doig s paintings the new yorker* - May 25 2022

web dec 4 2017 peter doig who painted it and his artist friend chris ofili were swimming in the sea off the north coast of trinidad doig and his wife and children moved from london to trinidad in 2002

**peter doig wikipedia** - Oct 10 2023

web known for painting blotter 1993 walker art gallery liverpool peter doig 'doig doyg born 17 april 1959 1 is a scottish painter he has settled in trinidad since 2002 in 2007 his painting white canoe sold at sotheby s for 11 3 million then an auction record for a living european artist

**peter doig biography artworks exhibitions ocula artist** - Nov 30 2022

web peter doig is a scottish contemporary artist recognised as one of the most important working landscape painters his paintings draw on his experiences growing up especially his time in canada and found images such as film stills newspaper clippings and photographs early years doig was born in 1959 in edinburgh scotland

[artist peter doig on how he paints art the guardian](#) - Dec 20 2021

web sep 20 2009 peter doig was born in edinburgh in 1959 he is represented by victoria miro london gavin brown s enterprise new york and michael werner new york explore more on these topics

[peter doig awarded 2 5 million in dispute over painting he](#) - Mar 23 2022

web jan 17 2023 the owner of a painting and a gallery had sued peter doig insisting he falsely denied creating the work but a federal judge ordered sanctions after ruling there was no evidence of that

*peter doig biography peter doig on artnet* - Oct 30 2022

web peter doig scottish born april 12 1959 is a painter renowned for his landscapes inspired by his own itinerant lifestyle and by the physical progressions of modern society born in edinburgh doig lived in trinidad london and canada in his youth

**peter doig musée d orsay** - Aug 28 2022

web a leading figure in the revival of figurative painting peter doig born in edimbourg in 1959 has given the 21 st century

some of its newest icons his solitary figures ethereal landscapes night scenes and otherworldly lights reflect century old modernist questions while suggesting a new visual language suited for the uniqueness of the

*peter doig two trees the metropolitan museum of art* - Feb 19 2022

web two trees peter doig british 2017 not on view this large landscape was inspired by a view from doig s hillside home on trinidad the caribbean island where he spent a part of his childhood and to which he returned to live in the early 2000s

**court agrees with artist peter doig that pete doige painting** - Nov 18 2021

web jan 20 2023 the acclaimed painter peter doig has won a multimillion dollar judgment against a former correctional officer who claimed he owned a bona fide doig work and that doig was just lying that he

*peter doig pinault collection* - Jul 27 2022

web peter doig born 1959 in edinburgh grew up in the caribbean and canada before studying in london he now lives between london and trinidad in the caribbean the immeasurable character of nature and its metaphysical power mark his paintings

inspired by german romanticism edward hopper edvard munch and horror films doig paints wild

*peter doig paintings bio ideas theartstory* - Apr 04 2023

web peter doig went from being an artist whose peers were too embarrassed to show alongside him to possibly the most internationally loved painter of our time he is a leading figure in contemporary art s return to painting and is particularly responsible for re inserting magic narrative and lyricism into painting today

**artist peter doig landscapes bear witness to humanity s cruelty** - Sep 28 2022

web oct 13 2023 peter doig reflections of the century opening next week at the musée d orsay in paris is an unmissable double show in which this century s most innovative exciting painter looks back both on

**peter doig 100 years ago the metropolitan museum of art** - Apr 23 2022

web artist peter doig british born edinburgh scotland 1959 date 2000 2001 medium series of eight etchings edition 26 46

**peter doig 42 artworks painting wikiart org** - Sep 09 2023

web peter doig 'doig doyg born 17 april 1959 is a scottish painter one of the most renowned living figurative painters he has settled in trinidad since 2002 in 2007 his painting white canoe sold at sotheby s for 11 3 million then an auction record for a living european artist

**world renowned painter peter doig in the studio anything can** - Feb 02 2023

web feb 14 2020 peter doig photographed at his studio in january 2020 by eva vermandel for ft at my request he recommends some essential calypso albums one of doig s latest series of paintings is of

**peter doig born 1959 tate** - Jun 06 2023

web peter doig doyg born 17 april 1959 is a scottish painter he has settled in trinidad since 2002 in 2007 his painting white

canoe sold at sotheby s for 11 3 million then an auction record for a living european artist in february 2013 his painting the architect s home in the ravine sold for 12 million at a london auction

**peter doig moma** - Aug 08 2023

web british born 1959 i love the idea that the pictures might be films and the viewer could become the director of the film there exists a tension peter doig has explained of his work between the often generic representation of a pastoral scene and the investment in my own experiences of the landscape