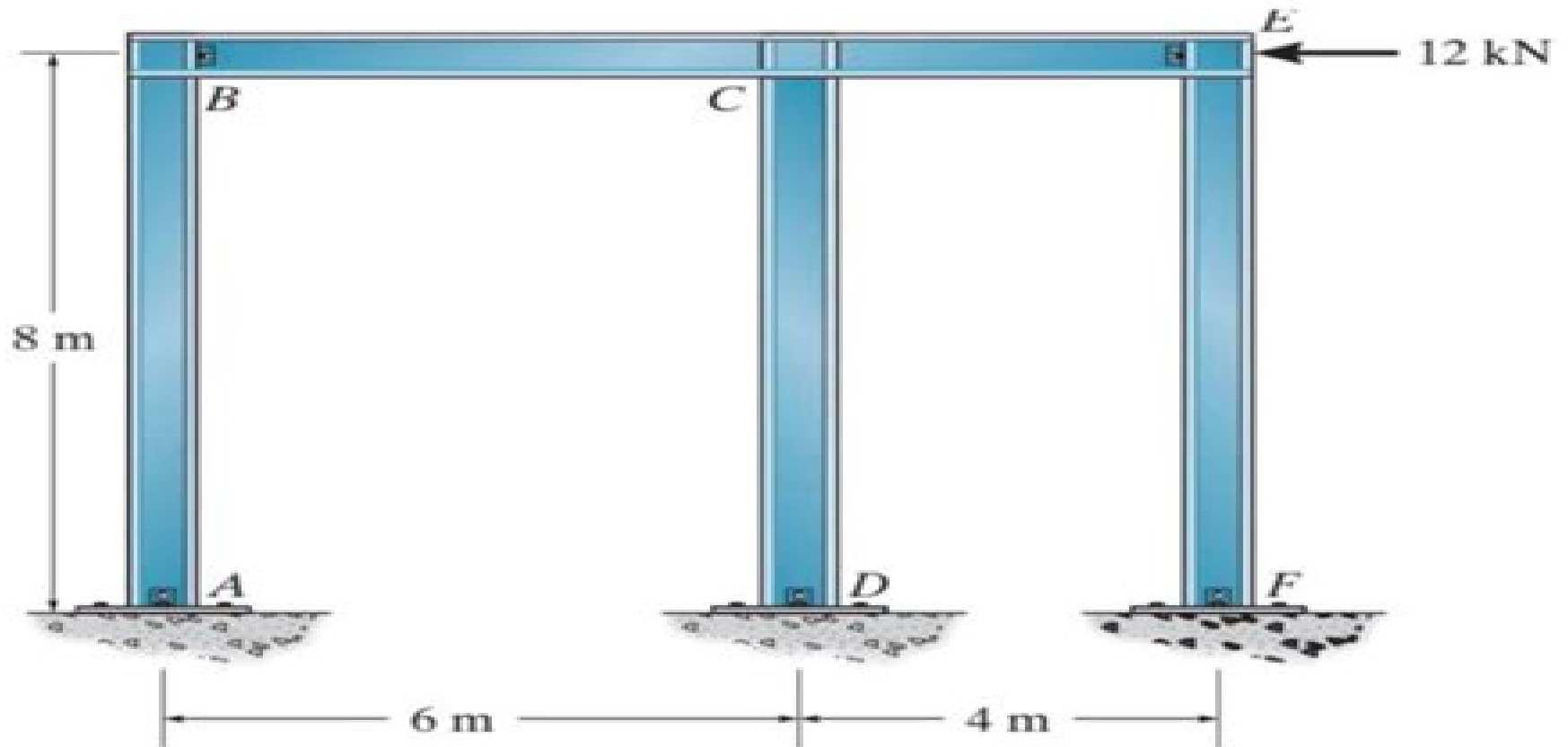


SOLVE USING MOMENT DISTRIBUTION METHOD, frames with sidesway



**Prob. 11-24**

# Moment Distribution Method Study

**Joacim Rocklöv**



## **Moment Distribution Method Study:**

## The Enigmatic Realm of **Moment Distribution Method Study**: Unleashing the Language is Inner Magic

In a fast-paced digital era where connections and knowledge intertwine, the enigmatic realm of language reveals its inherent magic. Its capacity to stir emotions, ignite contemplation, and catalyze profound transformations is nothing lacking extraordinary. Within the captivating pages of **Moment Distribution Method Study** a literary masterpiece penned by a renowned author, readers set about a transformative journey, unlocking the secrets and untapped potential embedded within each word. In this evaluation, we shall explore the book's core themes, assess its distinct writing style, and delve into its lasting effect on the hearts and minds of people who partake in its reading experience.

[https://py.bijouxmedusa.com/public/scholarship/default.aspx/print\\_on\\_demand\\_ideas\\_america\\_62\\_2303\\_print\\_on\\_demand\\_roadmap\\_america.pdf](https://py.bijouxmedusa.com/public/scholarship/default.aspx/print_on_demand_ideas_america_62_2303_print_on_demand_roadmap_america.pdf)

### **Table of Contents Moment Distribution Method Study**

1. Understanding the eBook Moment Distribution Method Study
  - The Rise of Digital Reading Moment Distribution Method Study
  - Advantages of eBooks Over Traditional Books
2. Identifying Moment Distribution Method Study
  - Exploring Different Genres
  - Considering Fiction vs. Non-Fiction
  - Determining Your Reading Goals
3. Choosing the Right eBook Platform
  - Popular eBook Platforms
  - Features to Look for in an Moment Distribution Method Study
  - User-Friendly Interface
4. Exploring eBook Recommendations from Moment Distribution Method Study
  - Personalized Recommendations
  - Moment Distribution Method Study User Reviews and Ratings

- Moment Distribution Method Study and Bestseller Lists
- 5. Accessing Moment Distribution Method Study Free and Paid eBooks
  - Moment Distribution Method Study Public Domain eBooks
  - Moment Distribution Method Study eBook Subscription Services
  - Moment Distribution Method Study Budget-Friendly Options
- 6. Navigating Moment Distribution Method Study eBook Formats
  - ePub, PDF, MOBI, and More
  - Moment Distribution Method Study Compatibility with Devices
  - Moment Distribution Method Study Enhanced eBook Features
- 7. Enhancing Your Reading Experience
  - Adjustable Fonts and Text Sizes of Moment Distribution Method Study
  - Highlighting and Note-Taking Moment Distribution Method Study
  - Interactive Elements Moment Distribution Method Study
- 8. Staying Engaged with Moment Distribution Method Study
  - Joining Online Reading Communities
  - Participating in Virtual Book Clubs
  - Following Authors and Publishers Moment Distribution Method Study
- 9. Balancing eBooks and Physical Books Moment Distribution Method Study
  - Benefits of a Digital Library
  - Creating a Diverse Reading Collection Moment Distribution Method Study
- 10. Overcoming Reading Challenges
  - Dealing with Digital Eye Strain
  - Minimizing Distractions
  - Managing Screen Time
- 11. Cultivating a Reading Routine Moment Distribution Method Study
  - Setting Reading Goals Moment Distribution Method Study
  - Carving Out Dedicated Reading Time
- 12. Sourcing Reliable Information of Moment Distribution Method Study
  - Fact-Checking eBook Content of Moment Distribution Method Study
  - Distinguishing Credible Sources

13. Promoting Lifelong Learning
  - Utilizing eBooks for Skill Development
  - Exploring Educational eBooks
14. Embracing eBook Trends
  - Integration of Multimedia Elements
  - Interactive and Gamified eBooks

### **Moment Distribution Method Study Introduction**

In this digital age, the convenience of accessing information at our fingertips has become a necessity. Whether its research papers, eBooks, or user manuals, PDF files have become the preferred format for sharing and reading documents. However, the cost associated with purchasing PDF files can sometimes be a barrier for many individuals and organizations. Thankfully, there are numerous websites and platforms that allow users to download free PDF files legally. In this article, we will explore some of the best platforms to download free PDFs. One of the most popular platforms to download free PDF files is Project Gutenberg. This online library offers over 60,000 free eBooks that are in the public domain. From classic literature to historical documents, Project Gutenberg provides a wide range of PDF files that can be downloaded and enjoyed on various devices. The website is user-friendly and allows users to search for specific titles or browse through different categories. Another reliable platform for downloading Moment Distribution Method Study free PDF files is Open Library. With its vast collection of over 1 million eBooks, Open Library has something for every reader. The website offers a seamless experience by providing options to borrow or download PDF files. Users simply need to create a free account to access this treasure trove of knowledge. Open Library also allows users to contribute by uploading and sharing their own PDF files, making it a collaborative platform for book enthusiasts. For those interested in academic resources, there are websites dedicated to providing free PDFs of research papers and scientific articles. One such website is Academia.edu, which allows researchers and scholars to share their work with a global audience. Users can download PDF files of research papers, theses, and dissertations covering a wide range of subjects. Academia.edu also provides a platform for discussions and networking within the academic community. When it comes to downloading Moment Distribution Method Study free PDF files of magazines, brochures, and catalogs, Issuu is a popular choice. This digital publishing platform hosts a vast collection of publications from around the world. Users can search for specific titles or explore various categories and genres. Issuu offers a seamless reading experience with its user-friendly interface and allows users to download PDF files for offline reading. Apart from dedicated platforms, search engines also play a crucial role in finding free PDF files. Google, for instance, has an advanced search feature that allows users to filter results by file type. By specifying the file type as "PDF," users can find websites that

offer free PDF downloads on a specific topic. While downloading Moment Distribution Method Study free PDF files is convenient, it's important to note that copyright laws must be respected. Always ensure that the PDF files you download are legally available for free. Many authors and publishers voluntarily provide free PDF versions of their work, but it's essential to be cautious and verify the authenticity of the source before downloading Moment Distribution Method Study. In conclusion, the internet offers numerous platforms and websites that allow users to download free PDF files legally. Whether it's classic literature, research papers, or magazines, there is something for everyone. The platforms mentioned in this article, such as Project Gutenberg, Open Library, Academia.edu, and Issuu, provide access to a vast collection of PDF files. However, users should always be cautious and verify the legality of the source before downloading Moment Distribution Method Study any PDF files. With these platforms, the world of PDF downloads is just a click away.

### **FAQs About Moment Distribution Method Study Books**

How do I know which eBook platform is the best for me? Finding the best eBook platform depends on your reading preferences and device compatibility. Research different platforms, read user reviews, and explore their features before making a choice. Are free eBooks of good quality? Yes, many reputable platforms offer high-quality free eBooks, including classics and public domain works. However, make sure to verify the source to ensure the eBook's credibility. Can I read eBooks without an eReader? Absolutely! Most eBook platforms offer web-based readers or mobile apps that allow you to read eBooks on your computer, tablet, or smartphone. How do I avoid digital eye strain while reading eBooks? To prevent digital eye strain, take regular breaks, adjust the font size and background color, and ensure proper lighting while reading eBooks. What's the advantage of interactive eBooks? Interactive eBooks incorporate multimedia elements, quizzes, and activities, enhancing the reader engagement and providing a more immersive learning experience. Moment Distribution Method Study is one of the best books in our library for free trial. We provide a copy of Moment Distribution Method Study in digital format, so the resources that you find are reliable. There are also many eBooks related to Moment Distribution Method Study. Where to download Moment Distribution Method Study online for free? Are you looking for Moment Distribution Method Study PDF? This is definitely going to save you time and cash in something you should think about. If you're trying to find them, search around online. Without a doubt, there are numerous of these available and many of them have the freedom. However, without a doubt, you receive whatever you purchase. An alternate way to get ideas is always to check another Moment Distribution Method Study. This method for seeing exactly what may be included and adopting these ideas to your book. This site will almost certainly help you save time and effort, money and stress. If you are looking for free books, then you really should consider finding to assist you in this. Several of Moment Distribution Method Study are for sale to free while some are

payable. If you arent sure if the books you would like to download works with for usage along with your computer, it is possible to download free trials. The free guides make it easy for someone to free access online library for download books to your device. You can get free download on free trial for lots of books categories. Our library is the biggest of these that have literally hundreds of thousands of different products categories represented. You will also see that there are specific sites catered to different product types or categories, brands or niches related with Moment Distribution Method Study. So depending on what exactly you are searching, you will be able to choose e books to suit your own need. Need to access completely for Campbell Biology Seventh Edition book? Access Ebook without any digging. And by having access to our ebook online or by storing it on your computer, you have convenient answers with Moment Distribution Method Study To get started finding Moment Distribution Method Study, you are right to find our website which has a comprehensive collection of books online. Our library is the biggest of these that have literally hundreds of thousands of different products represented. You will also see that there are specific sites catered to different categories or niches related with Moment Distribution Method Study So depending on what exactly you are searching, you will be able to choose ebook to suit your own need. Thank you for reading Moment Distribution Method Study. Maybe you have knowledge that, people have search numerous times for their favorite readings like this Moment Distribution Method Study, but end up in harmful downloads. Rather than reading a good book with a cup of coffee in the afternoon, instead they juggled with some harmful bugs inside their laptop. Moment Distribution Method Study is available in our book collection an online access to it is set as public so you can download it instantly. Our digital library spans in multiple locations, allowing you to get the most less latency time to download any of our books like this one. Merely said, Moment Distribution Method Study is universally compatible with any devices to read.

### **Find Moment Distribution Method Study :**

~~print on demand ideas America 62-2303 print on demand roadmap America~~  
**62-453 parenting tips software USA 62-2021 parenting tips software**  
~~checklist for small business 62-562 resume writing comparison USA 62-850~~  
**creators 62-574 credit score improvement guide United States 62-1000**  
**beginners for creators 62-1023 resume writing for beginners for**  
~~career growth ideas America 62-335 career growth ideas United States~~  
**States 62-1210 self improvement tutorial United States 62-1571 self**  
~~small business 62-2777 career growth for beginners for startups 62-1349~~  
ecommerce trends tools for startups 62-702 ecommerce trends trends for  
learning basics examples for entrepreneurs 62-1562 machine learning

[practices for small business 62-1197](#) [online privacy best practices for lifestyle ideas for entrepreneurs 62-1868](#) [minimalist lifestyle ideas for case study United States 62-798](#) [wearable technology case study for small business 62-1591](#) [SEO strategy tips USA 62-731](#) [SEO strategy tips privacy tools for startups 62-1770](#) [online privacy trends America 62-2600](#)

### **Moment Distribution Method Study :**

Self-Help Skills for People with Autism SELF-HELP SKILLS FOR PEOPLE WITH AUTISM thoroughly describes a systematic approach that parents and educators can use to teach basic self-care to children, ages ... A Review of Self-Help Skills for People with Autism by KD Lucker · 2009 · Cited by 12 — The book, Self-help skills for people with autism: A systematic teaching approach, by Anderson and colleagues, provides parents and professionals with a ... Self-Help Skills for People with Autism: A Systematic ... SELF-HELP SKILLS FOR PEOPLE WITH AUTISM thoroughly describes a systematic approach that parents and educators can use to teach basic self-care to children, ages ... Self-Help Skills for People with Autism: A Systematic ... Self-Help Skills for People with Autism: A Systematic Teaching Approach (Topics in Autism) by Stephen R. Anderson (2007-08-22) [unknown author] on ... Self-help Skills for People with Autism: A Systematic ... Thoroughly describes a systematic, practical approach that parents (and educators) can use to teach basic self-care ? eating, dressing, toileting and ... Self-Help Skills for People with Autism: A Systematic ... Self-Help Skills for People with Autism: A Systematic Teaching Approach (Topics in Autism) by Stephen R. Anderson; Amy L. Jablonski; Vicki Madaus Knapp; ... Self-Help Skills for People with Autism: A Systematic ... SELF-HELP SKILLS FOR PEOPLE WITH AUTISM thoroughly describes a systematic approach that parents and educators can use to teach basic self-care to children, ages ... Self-help skills for people with autism : a systematic teaching ... Self-help skills for people with autism : a systematic teaching approach ... Anderson, Stephen R. Series. Topics in autism. Published. Bethesda, MD : Woodbine ... Self-Help Skills for People with Autism: A Systematic ... Self-Help Skills for People with Autism: A Systematic Teaching Approach ( - GOOD ; Item Number. 265769074781 ; Brand. Unbranded ; Book Title. Self-Help Skills for ... Self-Help Skills for People with Autism: A Systematic ... Title : Self-Help Skills for People with Autism: A Systematic Teaching Approach (Topics in Autism). Publisher : Woodbine House. First Edition : False. Controls Start-Up, Operation, Service, and Troubleshooting Carrier Standard Service Techniques Manual as a source of reference ... The 30GX,HX chiller units can be connected to the CCN if desired. The communication ... 30GX 082-358 30HXC 080-375 Screw Compressor Water • Check manual “30gX/30hXC Pro-Dialog Plus control” for a detailed explanation of ... The Carrier 30GX units are designed and built to ensure conformance with. Controls, Start-Up, Operation, Service, and Troubleshooting Use the Carrier Standard Service Techniques Manual as a source of reference ... The 30GX oil separators

have 1/2-in. male flare connections. Some local ... 30GX and 30HXC series PRO-DIALOG Control Screw- ... It permits communication with elements of the Carrier Comfort Network via the CCN bus. Control box. 3 Compressor start-up module. 4 Control system. 5 User ... Carrier Air-Cooled Chiller Model 30GXN/GXR ... Delta (30GXR) starting options. • Loss of chilled water flow protection. Features ... Refer to Carrier System Design Manual or appropriate ASHRAE (American ... 30HXC 075-370 30GX 080-350 Screw Compressor Water- ... Procedures in this manual are arranged in the sequence required for proper machine start-up and operation. SAFETY CONSIDERATIONS. 30HXC and 30GX liquid chillers ... Carrier 30GX Series Manuals Manuals and User Guides for Carrier 30GX Series. We have 3 Carrier 30GX Series manuals available for free PDF download: Installation, Operation And Maintenance ... 30HXC 080-375 30GX 082-358 Screw Compressor Water- ... Procedures in this manual are arranged in the sequence required for proper machine start-up and operation. 2 - SAFETY CONSIDERATIONS. 30HXC and 30GX liquid ... Carrier 30GX Installation, Operation And Maintenance ... View and Download Carrier 30GX installation, operation and maintenance instructions online. Screw-Compressor Air- and Water-Cooled Liquid Chillers. 30HXC 075-370 30GX 080-350 Screw Compressor Water- ... Procedures in this manual are arranged in the sequence required for proper machine start-up and operation. SAFETY CONSIDERATIONS. 30HXC and 30GX liquid chillers ... Sistemi per vincere alle scommesse sportive - Le migliori ... Nov 7, 2023 — Sistemi per vincere alle scommesse sportive e calcistiche: quali sono i migliori, come giocare le bollette e vincere i pronostici. Pensare in grande per vincere in grande: il sistema Goliath Esplora con noi il sistema Goliath, la più estesa modalità di gioco per le scommesse sportive: come funziona e perché è molto adatto alle scommesse sul ... Migliori Sistemi Calcio per Guadagnare [GRATIS] I sistemi di scommesse sportive più comunemente chiamati sistemi integrali funzionano sul principio che si può vincere anche sbagliando più pronostici. SVELATI i Sistemi Segreti per Vincere alle Scommesse Sportive Sistema Trixie: come funziona e l'uso per le ... La definizione di sistema Trixie per le scommesse sportive è tanto sintetica quanto chiara: un Trixie è una giocata a sistema composta da quattro scommesse ... Metodo per VINCERE alle Scommesse modo Scientifico Feb 24, 2023 — Cerchi un metodo per VINCERE alle Scommesse? Ecco come vincere una schedina con il Metodo Scientifico delle Comparazioni. VULCANO!!! Il nuovo modo di vincere alle scommesse con un ... COME VINCERE 20 EURO AL GIORNO CON SCOMMESSE ... Guida alle migliori scommesse sportive ed i metodi di gioco May 1, 2023 — La progressione paroli è uno dei metodi più utilizzati dai giocatori esperti per vincere alle scommesse sportive. Questo sistema di scommesse ... Come vincere le schedine? 10 trucchi infallibili per le ... Jan 18, 2023 — Il primo trucco, scegli il bookmaker più adatto · Trova un bonus compatibile con il tuo stile di gioco · Vincere schedine facili: come selezionare ...