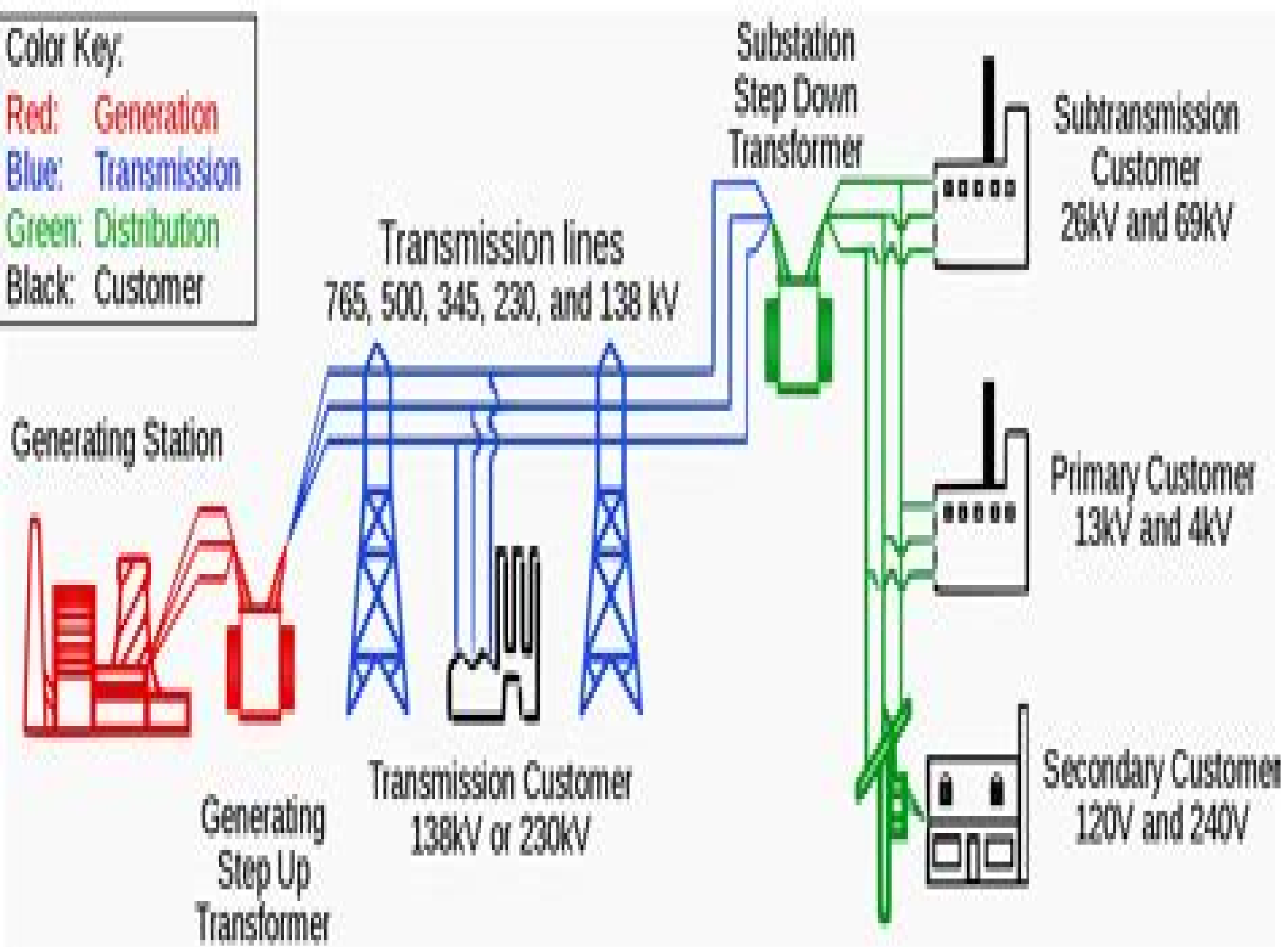


Color Key:
Red: Generation
Blue: Transmission
Green: Distribution
Black: Customer



Synchronizing Electrical Substation Electric Power System

D Siedentop



Synchronizing Electrical Substation Electric Power System:

Reviewing **Synchronizing Electrical Substation Electric Power System**: Unlocking the Spellbinding Force of Linguistics

In a fast-paced world fueled by information and interconnectivity, the spellbinding force of linguistics has acquired newfound prominence. Its capacity to evoke emotions, stimulate contemplation, and stimulate metamorphosis is actually astonishing. Within the pages of "**Synchronizing Electrical Substation Electric Power System**," an enthralling opus penned by a highly acclaimed wordsmith, readers attempt an immersive expedition to unravel the intricate significance of language and its indelible imprint on our lives. Throughout this assessment, we shall delve in to the book is central motifs, appraise its distinctive narrative style, and gauge its overarching influence on the minds of its readers.

https://py.bijouxmedusa.com/public/virtual-library/index.jsp/Certification_Citrix_Cca_V_Citrix_Certified_Associate.pdf

Table of Contents Synchronizing Electrical Substation Electric Power System

1. Understanding the eBook Synchronizing Electrical Substation Electric Power System
 - The Rise of Digital Reading Synchronizing Electrical Substation Electric Power System
 - Advantages of eBooks Over Traditional Books
2. Identifying Synchronizing Electrical Substation Electric Power System
 - Exploring Different Genres
 - Considering Fiction vs. Non-Fiction
 - Determining Your Reading Goals
3. Choosing the Right eBook Platform
 - Popular eBook Platforms
 - Features to Look for in an Synchronizing Electrical Substation Electric Power System
 - User-Friendly Interface
4. Exploring eBook Recommendations from Synchronizing Electrical Substation Electric Power System
 - Personalized Recommendations
 - Synchronizing Electrical Substation Electric Power System User Reviews and Ratings
 - Synchronizing Electrical Substation Electric Power System and Bestseller Lists

5. Accessing Synchronizing Electrical Substation Electric Power System Free and Paid eBooks
 - Synchronizing Electrical Substation Electric Power System Public Domain eBooks
 - Synchronizing Electrical Substation Electric Power System eBook Subscription Services
 - Synchronizing Electrical Substation Electric Power System Budget-Friendly Options
6. Navigating Synchronizing Electrical Substation Electric Power System eBook Formats
 - ePub, PDF, MOBI, and More
 - Synchronizing Electrical Substation Electric Power System Compatibility with Devices
 - Synchronizing Electrical Substation Electric Power System Enhanced eBook Features
7. Enhancing Your Reading Experience
 - Adjustable Fonts and Text Sizes of Synchronizing Electrical Substation Electric Power System
 - Highlighting and Note-Taking Synchronizing Electrical Substation Electric Power System
 - Interactive Elements Synchronizing Electrical Substation Electric Power System
8. Staying Engaged with Synchronizing Electrical Substation Electric Power System
 - Joining Online Reading Communities
 - Participating in Virtual Book Clubs
 - Following Authors and Publishers Synchronizing Electrical Substation Electric Power System
9. Balancing eBooks and Physical Books Synchronizing Electrical Substation Electric Power System
 - Benefits of a Digital Library
 - Creating a Diverse Reading Collection Synchronizing Electrical Substation Electric Power System
10. Overcoming Reading Challenges
 - Dealing with Digital Eye Strain
 - Minimizing Distractions
 - Managing Screen Time
11. Cultivating a Reading Routine Synchronizing Electrical Substation Electric Power System
 - Setting Reading Goals Synchronizing Electrical Substation Electric Power System
 - Carving Out Dedicated Reading Time
12. Sourcing Reliable Information of Synchronizing Electrical Substation Electric Power System
 - Fact-Checking eBook Content of Synchronizing Electrical Substation Electric Power System
 - Distinguishing Credible Sources
13. Promoting Lifelong Learning

- Utilizing eBooks for Skill Development
 - Exploring Educational eBooks
14. Embracing eBook Trends
- Integration of Multimedia Elements
 - Interactive and Gamified eBooks

Synchronizing Electrical Substation Electric Power System Introduction

In this digital age, the convenience of accessing information at our fingertips has become a necessity. Whether its research papers, eBooks, or user manuals, PDF files have become the preferred format for sharing and reading documents. However, the cost associated with purchasing PDF files can sometimes be a barrier for many individuals and organizations. Thankfully, there are numerous websites and platforms that allow users to download free PDF files legally. In this article, we will explore some of the best platforms to download free PDFs. One of the most popular platforms to download free PDF files is Project Gutenberg. This online library offers over 60,000 free eBooks that are in the public domain. From classic literature to historical documents, Project Gutenberg provides a wide range of PDF files that can be downloaded and enjoyed on various devices. The website is user-friendly and allows users to search for specific titles or browse through different categories. Another reliable platform for downloading Synchronizing Electrical Substation Electric Power System free PDF files is Open Library. With its vast collection of over 1 million eBooks, Open Library has something for every reader. The website offers a seamless experience by providing options to borrow or download PDF files. Users simply need to create a free account to access this treasure trove of knowledge. Open Library also allows users to contribute by uploading and sharing their own PDF files, making it a collaborative platform for book enthusiasts. For those interested in academic resources, there are websites dedicated to providing free PDFs of research papers and scientific articles. One such website is Academia.edu, which allows researchers and scholars to share their work with a global audience. Users can download PDF files of research papers, theses, and dissertations covering a wide range of subjects. Academia.edu also provides a platform for discussions and networking within the academic community. When it comes to downloading Synchronizing Electrical Substation Electric Power System free PDF files of magazines, brochures, and catalogs, Issuu is a popular choice. This digital publishing platform hosts a vast collection of publications from around the world. Users can search for specific titles or explore various categories and genres. Issuu offers a seamless reading experience with its user-friendly interface and allows users to download PDF files for offline reading. Apart from dedicated platforms, search engines also play a crucial role in finding free PDF files. Google, for instance, has an advanced search feature that allows users to filter results by file type. By specifying the file type as "PDF," users can find websites that offer free PDF downloads on a specific topic. While downloading

Synchronizing Electrical Substation Electric Power System free PDF files is convenient, its important to note that copyright laws must be respected. Always ensure that the PDF files you download are legally available for free. Many authors and publishers voluntarily provide free PDF versions of their work, but its essential to be cautious and verify the authenticity of the source before downloading Synchronizing Electrical Substation Electric Power System. In conclusion, the internet offers numerous platforms and websites that allow users to download free PDF files legally. Whether its classic literature, research papers, or magazines, there is something for everyone. The platforms mentioned in this article, such as Project Gutenberg, Open Library, Academia.edu, and Issuu, provide access to a vast collection of PDF files. However, users should always be cautious and verify the legality of the source before downloading Synchronizing Electrical Substation Electric Power System any PDF files. With these platforms, the world of PDF downloads is just a click away.

FAQs About Synchronizing Electrical Substation Electric Power System Books

How do I know which eBook platform is the best for me? Finding the best eBook platform depends on your reading preferences and device compatibility. Research different platforms, read user reviews, and explore their features before making a choice. Are free eBooks of good quality? Yes, many reputable platforms offer high-quality free eBooks, including classics and public domain works. However, make sure to verify the source to ensure the eBook credibility. Can I read eBooks without an eReader? Absolutely! Most eBook platforms offer web-based readers or mobile apps that allow you to read eBooks on your computer, tablet, or smartphone. How do I avoid digital eye strain while reading eBooks? To prevent digital eye strain, take regular breaks, adjust the font size and background color, and ensure proper lighting while reading eBooks. What the advantage of interactive eBooks? Interactive eBooks incorporate multimedia elements, quizzes, and activities, enhancing the reader engagement and providing a more immersive learning experience. Synchronizing Electrical Substation Electric Power System is one of the best book in our library for free trial. We provide copy of Synchronizing Electrical Substation Electric Power System in digital format, so the resources that you find are reliable. There are also many Ebooks of related with Synchronizing Electrical Substation Electric Power System. Where to download Synchronizing Electrical Substation Electric Power System online for free? Are you looking for Synchronizing Electrical Substation Electric Power System PDF? This is definitely going to save you time and cash in something you should think about.

Find Synchronizing Electrical Substation Electric Power System :

certification citrix cca v citrix certified associate

[central bank of kenya](#)

[chapter 16 section 1 guided reading dictators threaten](#)

[chapter 17 section 1 cold war superpowers face off answer key](#)

[cengage advantage books culture counts a concise introduction to cultural anthropology](#)

chapter 17 intermediate accounting ifrs edition

[ease files psychiatry fourth edition by toy eugene klamen debra mcgraw hill medical 2012 paperback 4th edition paperback](#)

[catalogue box culverts 1 capital precast](#)

[ecie data center workbook](#)

[chapter 13 electricity](#)

[cbest writing essay samples](#)

[central bank exam past papers download](#)

chapter 14 section 2 guided reading

[cctv surveillance second edition video practices and technology](#)

chapter 1 test medical terminology pearson qqntf

Synchronizing Electrical Substation Electric Power System :

Writing Today (2nd Edition): 9780205210084: Johnson- ... With a clear and easy-to-read presentation, visual instruction and pedagogical support, Writing Today is a practical and useful guide to writing for college ... Writing Today (2nd Edition) by Richard Johnson-Sheehan ... Synopsis: With a clear and easy-to-read presentation, visual instruction and pedagogical support, Writing Today is a practical and useful guide to writing for ... Writing Today: Contexts and Options for the Real ... This new edition of Writing Today builds on the first edition's strengths—an emphasis on both academic and workplace writing, a straightforward voice ... Writing Today: Contexts and Options for the Real World ... Free Shipping - ISBN: 9780073533223 - 2nd Edition - Paperback - McGraw-Hill Education - 2008 - Condition: GOOD - Spine creases, wear to binding and pages ... writing today Edition and Writing Today, Brief Second Edition. Copyright © 2013, 2010 ... Needed Materials: Writing Today, paper, and a writing implement. Time: 45 minutes. Writing Today (2nd Edition) by Johnson-Sheehan, Richard, ... Writing Today (2nd Edition) by Johnson-Sheehan, Richard, Paine, Charles, Good Boo ; Book Title. Writing Today (2nd Edition) ; ISBN. 9780205210084 ; Accurate ... Writing Today [2 ed.] 007353322X, 9780073533223 Writing Today begins with a chapter helping students learn the skills they will need to thrive throughout college and co... Writing Today Brief Edition 2nd Edition 9780205230402 Book title. Writing Today Brief Edition 2nd Edition ; ISBN. 9780205230402 ; Accurate description. 4.9 ; Reasonable shipping cost. 5.0 ; Shipping speed. 5.0. Writing Today: Contexts and Options for the Real World, ... This new

edition of "Writing Today" builds on the first edition's strengths an emphasis on both academic and workplace writing, a straightforward voice ... Writing Today (2nd Edition) p>With a clear and easy-to-read presentation, visual instruction and pedagogical support, <i>Writing Today</i> is a practical and useful guide to writing ... Past papers | Past exam papers | Pearson qualifications Question paper - Unit B1 1H - June 2015 NEW. Unit B1 1H - Influences on Life (Higher) - Approved for GCSE 2011 modular and GCSE 2012 linear. Past papers | Past exam papers | Pearson qualifications Question paper - Unit B1 1H - January 2018 NEW. Unit B1 1H - Influences on Life (Higher) - Approved for GCSE 2011 modular and GCSE 2012 linear. Edexcel Biology Past Papers Pearson Edexcel Biology GCSE 9-1 past exam papers and marking schemes (1BI0), the past papers are free to download for you to use as practice for your ... Mark Scheme (Results) Summer 2014 Edexcel and BTEC qualifications are awarded by Pearson, the UK's largest awarding body. We provide a wide range of qualifications including academic, ... Mark Scheme (Results) Summer 2014 Edexcel and BTEC qualifications are awarded by Pearson, the UK's largest awarding body. ... (Total for question 6 = 12 marks). Total for paper = 60 marks. Edexcel Paper 1 IGCSE Biology Past Papers - PMT Past exam papers and mark schemes for Edexcel Biology IGCSE (4BI0/4BI1) Paper 1. ... January 2014 QP - Paper 1B Edexcel Biology IGCSE · January 2015 MS - Paper 1B ... 2014 Pearson Edexcel GCSE Biology Unit B1 Higher ... 2014 Pearson Edexcel GCSE Biology Unit B1 Higher 5BI1H/01 Question Paper. Download Pearson Edexcel GCSE Biology questions papers and answers / mark scheme. Edexcel IGCSE Biology Past Papers Edexcel IGCSE Biology: Past Papers. Concise resources for the IGCSE Edexcel Biology course. Exam Papers. Mark Schemes. Model Answers. New Spec:. Edexcel GCSE Biology Past Papers Edexcel GCSE Past Papers June 2014 (Old Specification). Higher. Edexcel GCSE Science (Old Specification) June 14 Biology B1 ... ·Written exam: 1 hour 45 minutes. Mark Scheme (Results) Summer 2014 Higher (Non-Calculator) Paper 1H. Page 2. Edexcel and BTEC Qualifications ... B1 for a suitable question which includes a time frame (the time frame could ... Experimental inorganic chemistry - ACS Publications by AF Clifford · 1955 — Experimental inorganic chemistry · Article Views · Altmetric · Citations · Cited By · Partners · About · Resources and Information · Support & Contact. Help ... Experimental inorganic chemistry Product details · Date Published: January 1954 · format: Hardback · isbn: 9780521059022. length: 598 pages; weight ... CHEM 576 (01) - Experimental Inorganic Chemistry This laboratory course is an introduction to synthetic methods in inorganic chemistry and the study of the elements across the periodic table. Experimental Inorganic Chemistry by Palmer, W. G. Experimental Inorganic Chemistry ; Edition. y First edition ; Publisher. Cambridge University Press ; Publication date. January 2, 1954 ; Language. English ; Print ... Experimental Inorganic Chemistry - W. G. Palmer Divergence between A and B families Relative stability of ionic species. 120. Preparations and Analyses marked page. 127. Introduction page. (1) Introduction to Inorganic Chemistry (2) Experimental ... (1) Introduction to Inorganic Chemistry. By Prof. A. Smith. Third edition. Pp. xiv + 925. (London: G. Experimental Inorganic Chemistry. W. G. Palmer. ... by LF Audrieth · 1954 — Experimental Inorganic Chemistry. W. G. Palmer. Cambridge Univ. Press, New York,

1954. 578 pp. Illus. \$9. L. F. Audrieth Authors Info & Affiliations. Science. Multiweek Experiments for an Inorganic Chemistry Laboratory ... by JD Collett · 2020 · Cited by 4 — Students conducting these experiments have the opportunity to learn synthetic techniques and various characterization methods. Most importantly, ...