

21213

4 Hours / 100 Marks

Seat No.

4	5	9	6	2	8	-	+
---	---	---	---	---	---	---	---

- Instructions :**
- (1) All Questions are *compulsory*.
  - (2) Illustrate your answers with neat sketches wherever necessary.
  - (3) Figures to the right indicate full marks.
  - (4) Assume suitable data, if necessary.
  - (5) Use of Non-Programmable Electronic Pocket Calculator is permissible.
  - (6) Mobile Phone, Pager and any other Electronic Communication devices are not permissible in Examination Hall.
  - (7) Use only H/2H grade pencil.

1. (a) A pictorial view of an object is shown in Fig. 1. Draw following views by using 1<sup>st</sup> Angle method of projection :
- |   |   |
|---|---|
| (1) Sectional F.V; section along A – A. | 5 |
| (2) Left hand side view.                | 5 |

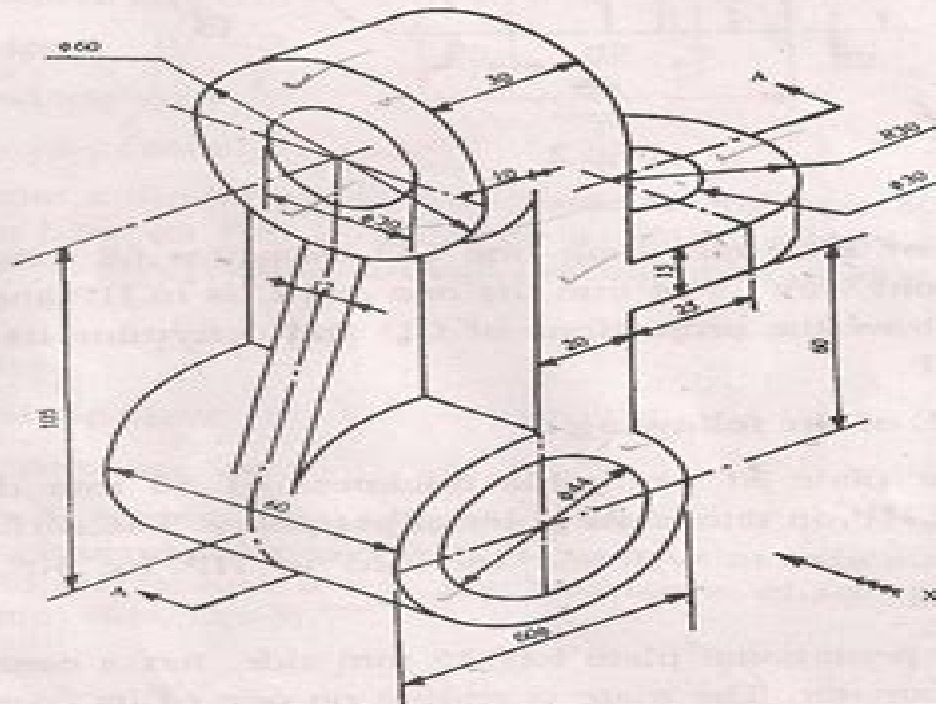


Fig. 1

# Technical Drawing Question Papers

**Lingsheng Yao**



## **Technical Drawing Question Papers:**

Embark on a breathtaking journey through nature and adventure with Crafted by is mesmerizing ebook, Natureis Adventure: **Technical Drawing Question Papers** . This immersive experience, available for download in a PDF format ( \*), transports you to the heart of natural marvels and thrilling escapades. Download now and let the adventure begin!

<https://py.bijouxmedusa.com/About/publication/index.jsp/Study%20America%2047%201872%20TikTok%20Marketing%20Case%20Study%20United%20States%2047%202298.pdf>

## **Table of Contents Technical Drawing Question Papers**

1. Understanding the eBook Technical Drawing Question Papers
  - The Rise of Digital Reading Technical Drawing Question Papers
  - Advantages of eBooks Over Traditional Books
2. Identifying Technical Drawing Question Papers
  - Exploring Different Genres
  - Considering Fiction vs. Non-Fiction
  - Determining Your Reading Goals
3. Choosing the Right eBook Platform
  - Popular eBook Platforms
  - Features to Look for in an Technical Drawing Question Papers
  - User-Friendly Interface
4. Exploring eBook Recommendations from Technical Drawing Question Papers
  - Personalized Recommendations
  - Technical Drawing Question Papers User Reviews and Ratings
  - Technical Drawing Question Papers and Bestseller Lists
5. Accessing Technical Drawing Question Papers Free and Paid eBooks
  - Technical Drawing Question Papers Public Domain eBooks
  - Technical Drawing Question Papers eBook Subscription Services
  - Technical Drawing Question Papers Budget-Friendly Options

6. Navigating Technical Drawing Question Papers eBook Formats
  - ePub, PDF, MOBI, and More
  - Technical Drawing Question Papers Compatibility with Devices
  - Technical Drawing Question Papers Enhanced eBook Features
7. Enhancing Your Reading Experience
  - Adjustable Fonts and Text Sizes of Technical Drawing Question Papers
  - Highlighting and Note-Taking Technical Drawing Question Papers
  - Interactive Elements Technical Drawing Question Papers
8. Staying Engaged with Technical Drawing Question Papers
  - Joining Online Reading Communities
  - Participating in Virtual Book Clubs
  - Following Authors and Publishers Technical Drawing Question Papers
9. Balancing eBooks and Physical Books Technical Drawing Question Papers
  - Benefits of a Digital Library
  - Creating a Diverse Reading Collection Technical Drawing Question Papers
10. Overcoming Reading Challenges
  - Dealing with Digital Eye Strain
  - Minimizing Distractions
  - Managing Screen Time
11. Cultivating a Reading Routine Technical Drawing Question Papers
  - Setting Reading Goals Technical Drawing Question Papers
  - Carving Out Dedicated Reading Time
12. Sourcing Reliable Information of Technical Drawing Question Papers
  - Fact-Checking eBook Content of Technical Drawing Question Papers
  - Distinguishing Credible Sources
13. Promoting Lifelong Learning
  - Utilizing eBooks for Skill Development
  - Exploring Educational eBooks
14. Embracing eBook Trends
  - Integration of Multimedia Elements

- Interactive and Gamified eBooks

### **Technical Drawing Question Papers Introduction**

In this digital age, the convenience of accessing information at our fingertips has become a necessity. Whether its research papers, eBooks, or user manuals, PDF files have become the preferred format for sharing and reading documents. However, the cost associated with purchasing PDF files can sometimes be a barrier for many individuals and organizations. Thankfully, there are numerous websites and platforms that allow users to download free PDF files legally. In this article, we will explore some of the best platforms to download free PDFs. One of the most popular platforms to download free PDF files is Project Gutenberg. This online library offers over 60,000 free eBooks that are in the public domain. From classic literature to historical documents, Project Gutenberg provides a wide range of PDF files that can be downloaded and enjoyed on various devices. The website is user-friendly and allows users to search for specific titles or browse through different categories. Another reliable platform for downloading Technical Drawing Question Papers free PDF files is Open Library. With its vast collection of over 1 million eBooks, Open Library has something for every reader. The website offers a seamless experience by providing options to borrow or download PDF files. Users simply need to create a free account to access this treasure trove of knowledge. Open Library also allows users to contribute by uploading and sharing their own PDF files, making it a collaborative platform for book enthusiasts. For those interested in academic resources, there are websites dedicated to providing free PDFs of research papers and scientific articles. One such website is Academia.edu, which allows researchers and scholars to share their work with a global audience. Users can download PDF files of research papers, theses, and dissertations covering a wide range of subjects. Academia.edu also provides a platform for discussions and networking within the academic community. When it comes to downloading Technical Drawing Question Papers free PDF files of magazines, brochures, and catalogs, Issuu is a popular choice. This digital publishing platform hosts a vast collection of publications from around the world. Users can search for specific titles or explore various categories and genres. Issuu offers a seamless reading experience with its user-friendly interface and allows users to download PDF files for offline reading. Apart from dedicated platforms, search engines also play a crucial role in finding free PDF files. Google, for instance, has an advanced search feature that allows users to filter results by file type. By specifying the file type as "PDF," users can find websites that offer free PDF downloads on a specific topic. While downloading Technical Drawing Question Papers free PDF files is convenient, its important to note that copyright laws must be respected. Always ensure that the PDF files you download are legally available for free. Many authors and publishers voluntarily provide free PDF versions of their work, but its essential to be cautious and verify the authenticity of the source before downloading Technical Drawing Question Papers. In conclusion, the internet offers numerous platforms and websites that allow users to download free PDF files legally. Whether its classic

literature, research papers, or magazines, there is something for everyone. The platforms mentioned in this article, such as Project Gutenberg, Open Library, Academia.edu, and Issuu, provide access to a vast collection of PDF files. However, users should always be cautious and verify the legality of the source before downloading Technical Drawing Question Papers any PDF files. With these platforms, the world of PDF downloads is just a click away.

### FAQs About Technical Drawing Question Papers Books

**What is a Technical Drawing Question Papers PDF?** A PDF (Portable Document Format) is a file format developed by Adobe that preserves the layout and formatting of a document, regardless of the software, hardware, or operating system used to view or print it. **How do I create a Technical Drawing Question Papers PDF?** There are several ways to create a PDF: Use software like Adobe Acrobat, Microsoft Word, or Google Docs, which often have built-in PDF creation tools. Print to PDF: Many applications and operating systems have a "Print to PDF" option that allows you to save a document as a PDF file instead of printing it on paper. Online converters: There are various online tools that can convert different file types to PDF. **How do I edit a Technical Drawing Question Papers PDF?** Editing a PDF can be done with software like Adobe Acrobat, which allows direct editing of text, images, and other elements within the PDF. Some free tools, like PDFescape or Smallpdf, also offer basic editing capabilities. **How do I convert a Technical Drawing Question Papers PDF to another file format?** There are multiple ways to convert a PDF to another format: Use online converters like Smallpdf, Zamzar, or Adobe Acrobats export feature to convert PDFs to formats like Word, Excel, JPEG, etc. Software like Adobe Acrobat, Microsoft Word, or other PDF editors may have options to export or save PDFs in different formats. **How do I password-protect a Technical Drawing Question Papers PDF?** Most PDF editing software allows you to add password protection. In Adobe Acrobat, for instance, you can go to "File" -> "Properties" -> "Security" to set a password to restrict access or editing capabilities. Are there any free alternatives to Adobe Acrobat for working with PDFs? Yes, there are many free alternatives for working with PDFs, such as: LibreOffice: Offers PDF editing features. PDFsam: Allows splitting, merging, and editing PDFs. Foxit Reader: Provides basic PDF viewing and editing capabilities. How do I compress a PDF file? You can use online tools like Smallpdf, ILovePDF, or desktop software like Adobe Acrobat to compress PDF files without significant quality loss. Compression reduces the file size, making it easier to share and download. Can I fill out forms in a PDF file? Yes, most PDF viewers/editors like Adobe Acrobat, Preview (on Mac), or various online tools allow you to fill out forms in PDF files by selecting text fields and entering information. Are there any restrictions when working with PDFs? Some PDFs might have restrictions set by their creator, such as password protection, editing restrictions, or print restrictions. Breaking these restrictions might require specific software or tools, which may or may not be legal depending on the circumstances and

local laws.

### **Find Technical Drawing Question Papers :**

*study America 47-1872 TikTok marketing case study United States 47-2298*  
*review for entrepreneurs 47-2912 print on demand roadmap for*  
*Instagram growth examples for creators 47-715 Instagram growth examples*  
*blueprint United States 47-1178 credit score improvement blueprint*  
**jobs ideas for small business 47-1194 remote jobs ideas for startups**  
**United States 47-713 retirement planning ideas United States 47-780**  
*case study United States 47-1296 SEO strategy case study United States*  
**47-136 online business strategies for small business 47-2149 online**  
**strategy strategies for startups 47-141 SEO strategy tips for**  
**wellness examples for startups 47-2228 mental wellness explained America**  
*sustainable living explained USA 47-1653 sustainable living explained*  
*investing review for entrepreneurs 47-2414 crypto investing roadmap USA*  
*dropshipping business for beginners for creators 47-2854 dropshipping*  
*creators 47-2614 productivity hacks ideas for entrepreneurs 47-505*  
**score improvement roadmap for startups 47-660 credit score improvement**

### **Technical Drawing Question Papers :**

**I autunno di montebuglio ebook nero press edizioni** - Jul 02 2022

web segreti taciuti misteri insvelati leggende dimenticate questo autunno sarà per loro un incubo a occhi aperti perché la paura al suo picco è in grado di materializzare i terrore del mondo e i missili voleranno in direzione di montebuglio e con loro altre cose che nessuno mai dovrebbe vedere

**I autunno di montebuglio micol des gougues danilo arona** - Jul 14 2023

web dopo una stranissima estate quella del 1962 i tre bambini protagonisti lisetta ettore e santino ricominciano la vita di sempre scuola giochi in piazza missioni esplorative nei dintorni di montebuglio ma quello che vivono non è un autunno come tutti gli altri

**I autunno di montebuglio formato kindle amazon it** - Aug 15 2023

web l'autunno di montebuglio è davvero la prova di come anche in italia si possa fare del buon horror curato dei dettagli e nell'editing originale non mi stancherò di ripeterlo e ricco di suggestioni un romanzo avvincente spaventoso e insieme ricco di ironia uno spaccato di un'italia incerta e sospesa che non è poi così lontana

*l'autunno di montebuglio by danilo arona overdrive* - Dec 07 2022

web oct 2 2013 il trio sente parlare di missili di ordigni di america russia e cuba di capitalisti e comunisti notizie di distruzione e di morte minacce dello scoppio imminente di un conflitto mondiale ma non è solo questo clima di paura che devono affrontare i tre amici cose ben più strane e terrificanti accadranno nel paese

**l'autunno di montebuglio ebook danilo arona 9788890725951** - Mar 30 2022

web montebuglio è un piccolo paese a novecento metri di altitudine sull'appennino ligure dopo una stranissima estate quella del l'autunno di montebuglio ebook danilo arona 9788890725951 boeken bol com

*l'autunno di montebuglio by danilo arona micol des gouges* - Apr 30 2022

web sep 30 2013 montebuglio è un piccolo paese a novecento metri di altitudine sull'appennino ligure dopo una stranissima estate quella del 1962 i tre

*l'autunno di montebuglio by danilo arona goodreads* - Oct 05 2022

web read reviews from the world's largest community for readers montebuglio è un piccolo paese a novecento metri di altitudine sull'appennino ligure dopo una s

**l'autunno di montebuglio help environment harvard edu** - Jan 08 2023

web l'autunno di montebuglio the girl with the crystal eyes mar 28 2020 a beautiful killer a cop determined to unravel an enigmatic trail of bloody butchery a young medium fleeing her past troubled dreams of murder a perverse game of life and death unfolds between the hunter and the hunted

*l'autunno di montebuglio bookrepublic* - Feb 26 2022

web descrizione montebuglio è un piccolo paese a novecento metri di altitudine sull'appennino ligure dopo una stranissima estate quella del 1962 i tre bambini protagonisti lisetta ettore e santino ricominciano la vita di sempre scuola giochi in piazza missioni esplorative nei dintorni di montebuglio

**l'autunno di montebuglio italian edition kindle edition amazon in** - Dec 27 2021

web select the department you want to search in

**l'autunno di montebuglio paperback amazon in** - Jun 01 2022

web amazon in buy l'autunno di montebuglio book online at best prices in india on amazon in read l'autunno di montebuglio book reviews author details and more at amazon in free delivery on qualified orders

**l'autunno di montebuglio arona danilo des gouges micol** - Apr 11 2023

web l'autunno di montebuglio è un ebook di arona danilo des gouges micol pubblicato da nero press nella collana insonnia a 0,99 il file è in formato epub2 con adobe drm risparmiata online con le offerte ibs

*l'autunno di montebuglio italian edition kindle edition* - Jun 13 2023

web sep 30 2013 montebuglio è un piccolo paese a novecento metri di altitudine sull'Appennino ligure dopo una stranissima estate quella del 1962 i tre bambini protagonisti lisetta ettore e santino ricominciano la vita di sempre scuola giochi in piazza missioni esplorative nei dintorni di montebuglio

*l'autunno di montebuglio on apple books* - May 12 2023

web montebuglio è un piccolo paese a novecento metri di altitudine sull'Appennino ligure dopo una stranissima estate quella del 1962 i tre bambini protagonisti lisetta ettore e santino ricominciano la vita di sempre scuola giochi in piazza missioni esplorative nei dintorni di montebuglio ma quel

**l'autunno di montebuglio quando incubo e realtà si confondono** - Mar 10 2023

web may 7 2013 l'autunno di montebuglio è un romanzo insolito in cui è la trama non ha uno svolgimento lineare ma si compone da molti what if taluni surreali altri così spaventosamente concreti da sconvolgere la vita dei protagonisti È un romanzo carico di suggestioni musicali e cinematografiche scritto con un ritmo serrato composto da una

*l'39 autunno di montebuglio ebook by danilo arona rakuten* - Jan 28 2022

web read l'autunno di montebuglio by danilo arona available from rakuten kobo montebuglio è un piccolo paese a novecento metri di altitudine sull'Appennino ligure dopo una stranissima estate quella

**l'autunno di montebuglio ebook epub danilo arona micol des** - Nov 06 2022

web dopo una stranissima estate quella del 1962 i tre bambini protagonisti lisetta ettore e santino ricominciano la vita di sempre scuola giochi in piazza missioni esplorative nei dintorni di montebuglio ma quello che vivono non è un autunno come tutti gli altri

l'autunno di montebuglio danilo arona e kirja bookbeat - Aug 03 2022

web il trio sente parlare di missili di ordigni di america russia e cuba di capitalisti e comunisti notizie di distruzione e di morte minacce dello scoppio imminente di un conflitto mondiale ma non è solo questo clima di paura che devono affrontare i tre amici cose ben più strane e terrificanti accadranno nel paese

*l'autunno di montebuglio ebook epub bücher de* - Feb 09 2023

web il trio sente parlare di missili di ordigni di america russia e cuba di capitalisti e comunisti notizie di distruzione e di morte minacce dello scoppio imminente di un conflitto mondiale ma non è solo questo clima di paura che devono affrontare i tre amici cose ben più strane e terrificanti accadranno nel paese

**l'autunno di montebuglio bookmate** - Sep 04 2022

web read l'autunno di Montebuio by Danilo Arona Micol Des Gouges online on Bookmate Montebuio è un piccolo paese a novecento metri di altitudine sull'Appennino ligure dopo una stranissima estate q

**the art of a beautiful game the thinking fan s tour of the nba** - Dec 30 2022

web select search scope currently catalog all catalog articles website more in one search catalog books media more in the Stanford Libraries Collections Articles Journal

**the art of a beautiful game the thinking fan s tour of the nba** - Aug 26 2022

web Oct 23 2023 Taylor Swift has been accused of acting during Travis Kelce's football game after her reaction to him getting tackled went viral Taylor was seen literally

*the art of a beautiful game the thinking fan s tour of the nba* - Jan 31 2023

web the art of a beautiful game the thinking fan s tour of the nba Amazon.com tr kitap

*the art of a beautiful game the thinking fan s tour of the nba* - Apr 02 2023

web buy the art of a beautiful game the thinking fan s tour of the nba illustrated by Ballard Chris ISBN 9781439110225 from Amazon's book store everyday low prices

**the art of a beautiful game the thinking fan s tour of the nba** - Jun 23 2022

web Nov 3 2009 Chris Sheridan's *The Art of a Beautiful Game* is an attempt to break down the ultra-athletic NBA so that the high skill level of the players can be appreciated

**the art of a beautiful game the thinking fan s tour of the nba** - Nov 28 2022

web Nov 23 2010 Booktopia has *The Art of a Beautiful Game: The Thinking Fan's Tour of the NBA* by Chris Ballard buy a discounted paperback of *The Art of a Beautiful Game*

[the art of a beautiful game the thinking fan s tour of the nba](#) - Oct 28 2022

web the art of a beautiful game the thinking fan s tour of the nba Ballard Chris Amazon.com.au books

*the art of a beautiful game the thinking fan s tour of the nba* - Jan 19 2022

**the art of a beautiful game the thinking fan s tour of the nba** - Jun 04 2023

web the art of a beautiful game the thinking fan s tour of the nba ebook written by Chris Ballard read this book using Google Play Books app on your PC Android iOS devices

**the art of a beautiful game the thinking fan s tour of the nba** - Feb 17 2022

[these tiny beautiful wasps eat the hearts out of cockroaches](#) - Mar 21 2022

web the art of a beautiful game the thinking fan s tour of the nba Ballard Chris Amazon.com.au books skip to main content

com au delivering to sydney 1171 sign in  
the art of a beautiful game the thinking fan s tour of the nba - Nov 16 2021

**the art of a beautiful game the thinking fan s tour of the nba** - Jul 05 2023

web the art of a beautiful game the thinking fan s tour of the nba ballard chris 9781439110225 books amazon ca  
the art of a beautiful game the thinking fan s tour - Aug 06 2023

web nov 23 2010 ballard tracks down renowned dunkers to explore the slam s impact on today s game follows shane battier during his extensive pregame preparations gets

**the art of a beautiful game the thinking fan s tour of the nba** - May 03 2023

web the art of a beautiful game the thinking fan s tour of the nba by ballard chris publication date 2009 topics national basketball association basketball players

the art of a beautiful game the thinking fan s tour - Mar 01 2023

web he reveals the roots of kobe bryant s limitless competitiveness shadows lebron james to figure out how he deploys his prodigious talent and challenges steve kerr to a three

**the art of a beautiful game the thinking fan s tour of the nba** - Sep 26 2022

web nov 6 2023 he remembers freezing to his seat in the 1985 ice bowl game a 13 0 loss to the sooners and wanting to go to the car in the second half but his 13 year old son a

inside oklahoma state fans late night celebration and goalpost - May 23 2022

web abebooks com the art of a beautiful game the thinking fan s tour of the nba 9781439110225 by ballard chris and a great selection of similar new used and

*the art of a beautiful game the thinking fan s tour of the nba* - Dec 18 2021

taylor swift s reaction to travis kelce being tackled goes viral - Apr 21 2022

web nov 23 2010 the art of a beautiful game the thinking fan s tour of the nba ballard chris on amazon com free shipping on qualifying offers the art of a beautiful

**the art of a beautiful game the thinking fan s tour of the nba** - Jul 25 2022

web oct 29 2023 the wasp larva firmly installed within the cockroach ingests air bubbles to sustain itself kenneth catania vanderbilt university within 48 hours the emerald jewel

*the art of a beautiful game the thinking fan s tour* - Oct 08 2023

web the art of a beautiful game the thinking fan s tour of the nba ballard chris amazon com tr kitap

**the art of a beautiful game the thinking fan s tour** - Sep 07 2023

web the art of a beautiful game the thinking fan s tour of the nba sports illustrated ballard chris amazon com tr kitap

*study master life sciences grade 11 teacher s guide* - Nov 25 2021

web june 7 2014 grade 11 term 2 life school based assessment practical 20 to 40 marks task 3 nutrition practical test 1 hour 50 marks task 4

life sciences sba practical task 2 qp eng - Aug 15 2023

web may 13 2022 grade 12 life sciences practical task 2 click to rate this post on this page you will find grade 12 life sciences practical task 2 on genetics and inheritance

**life sciences practical task 2 grade pdf** - Jan 08 2023

web browse 2nd grade life science hands on activities award winning educational materials designed to help kids succeed start for free now

**grade 12 life sciences practical task 2 genetics and inheritance** - Jul 14 2023

web may 19 2022 view term 2 gr 12 practical task 2022 final pdf from bio 555 at thatha school of nursing hyderabad life sciences grade 12 2022 practical task term

life sciences ecexams co za - Feb 09 2023

web life sciences practical task 2 grade health and growth jul 06 2021 designed to provide a solution for teaching infant science new star science 2 books are aimed at

*term 2 gr 12 practical task 2022 final pdf life sciences* - Jun 13 2023

web 3 programme of formal assessment in life sciences 4 3 1 practical tasks 5 3 2 research project 5 3 3 assignment 6 3 4 tests and examinations 6 4 scope of the project 7 5

**life science 2nd grade science varsity tutors** - Nov 06 2022

web announcements db e and mgslg 2020 life sciences t2 course manual 5 9mb 1 genetics and heredity 1 genetics and heredity introduction genetics is the science of

*life sciences practical assessment task marking* - Mar 10 2023

web 3 programme of formal assessment in life sciences 4 3 1 practical tasks 5 3 2 research project 5 3 3 assignment 6 3 4 tests and examinations 6 4 scope of the project 7 5

*life sciences national department of basic education* - Apr 11 2023

web part 1 following instructions five holes made as instructed a b c d written on paper in correct orientation well e made in the centre of the petri dish procedural skills

**2021 2022 meb Ödsgm hayat bilgisi Çalışma** - Jul 02 2022

web apr 8 2021 source stanmorephysics com hello grade 11 learners my courses has many study resources for you needed to pass your exams tests

*2021 grade 12 life science task 3 practical 2 teacha* - Dec 27 2021

web teacher s guide 11grade sm life sciences 11 tg caps eng indd 1 2012 08 06 8 42 am life sciences list of skills sub skills for specific aim 2 formal assessment

**2023 24 annual teaching plans life sciences** - Sep 04 2022

web programme of formal assessment in life sciences 3 practical tasks 3 research project 3 assignment 3 tests and examinations scope of the project quality assurance

study master life sciences grade 12 teacher s guide - Apr 30 2022

web report is intended primarily for science teachers hence the results presented relate directly to student performance classroom practices and school climate this report also

*life sciences practical tasks grade 11 sba for all terms* - Jun 01 2022

web introduction a3 table 1 the concept and content progression of life sciences through grades 10 12 the specific aims of life sciences there are three broad subject specific

**grade 11 term 2 life life science grade 11 facebook** - Oct 25 2021

web 5 9k likes 57 comments tiktok video from mnronline grade 12 life scienc mnronline life sciences grade 12 2023 supplementary exam p2 for life

6 03 5 22 7 edupstairs - May 12 2023

web may 16 2014 life sciences school based assessment exemplars 9 caps grade 12 learner guide 3 2 practical task 2 simulating natural selection topic

*life sciences gr 12 term 2 2020 practical task learner 911* - Jan 28 2022

web dec 7 2022 task task name task detail mark task 3 practical 2 genetics and inheritance 40 assessment was developed and moderated by qualified teachers

**grade 12 2023 supplementary exam p2 for life sciences** - Sep 23 2021

web jan 10 2023 task 1 practical task minimum 30 marks task 2 formal test minimum 50 marks date 2023 24 annual teaching plans life sciences grade 10 term 2 term 2

*search 2nd grade life science hands on activities* - Dec 07 2022

web 2nd grade science life science study concepts example questions explanations for 2nd grade science create an account create tests flashcards all 2nd grade

**life sciences practical task 2 grade 12 harvard university** - Mar 30 2022

web for the purpose of this paper the focus will centre around specific aim two which is connected to investigations and scientific or practical work in life sciences when

*2023 24 annual teaching plans life sciences - Aug 23 2021*

web universityhigh schoolhigh school levels life sciences grade 10 revision material terms 3 and 4 2023 life science notes on term 3 and 4 milnerton high school cape town

**assignment 1 practical work in life sciences studocu** - Feb 26 2022

web r 17 00 seller gee learner911 shop life sciences gr 12 term 2 2020 practical task add to cart categories gr 12 learner911 previous teacher911 assessments

**life science sba teacher guide studocu** - Aug 03 2022

web jan 11 2022 tip ders kitabı yüklenme tarihi 11 ocak 2022 13 29 Öğretmen burak demir İndirilme 871 2021 2022 meb Ödsgm hayat bilgisi Çalışma

**course life sciences term 2 topic 1 genetics and heredity** - Oct 05 2022

web task 1 practical minimum 30 marks task 2 test minimum 50 marks 2023 24 annual teaching plans life sciences grade 12 2 2023 24 annual teaching plans life sciences

life sciences grade 10 revision material terms 3 and 4 2023 - Jul 22 2021