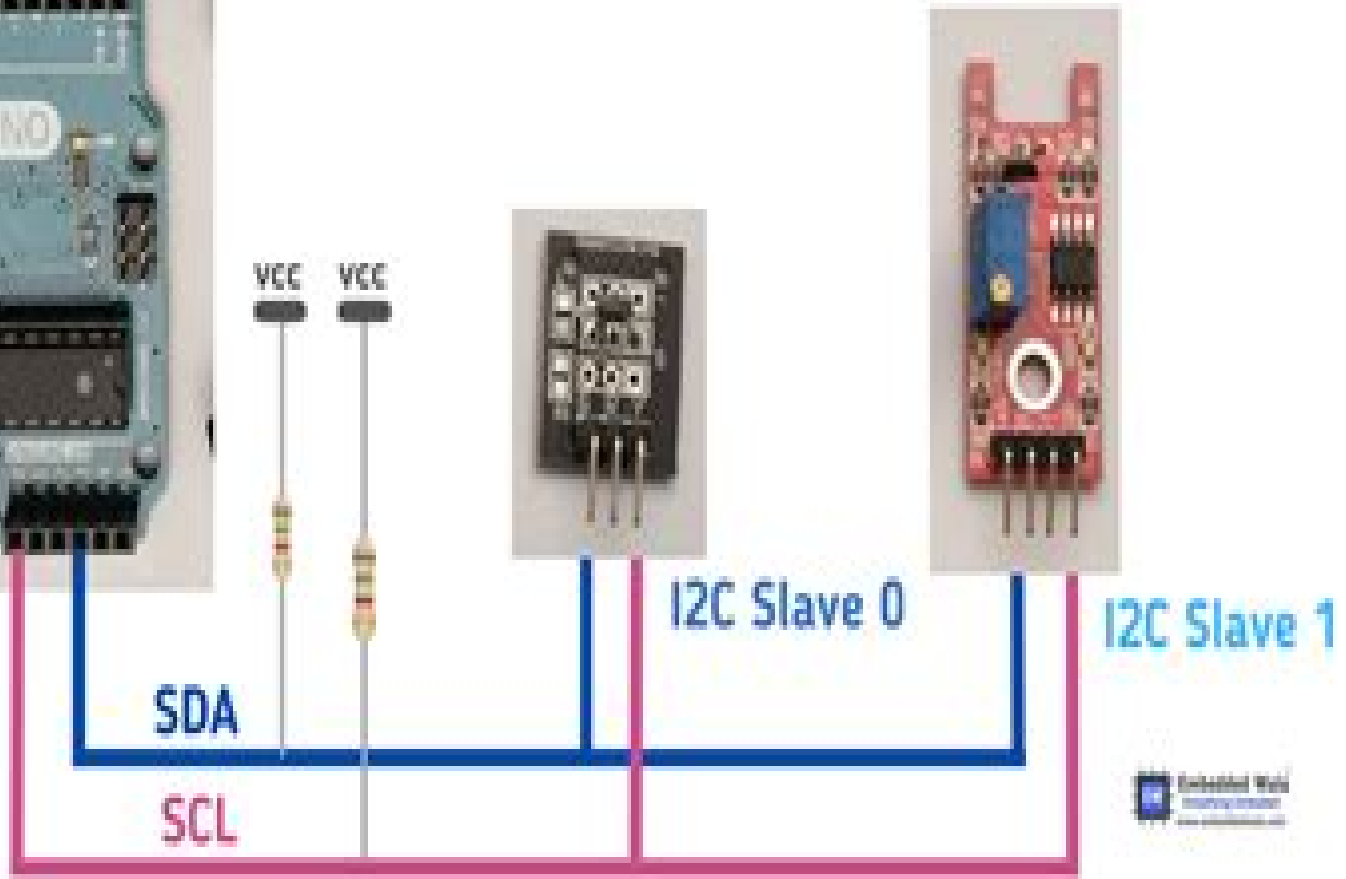


# I2C



I2C Master



# I2c C Master

**Siddappa N.Byrareddy**



**I2c C Master:**

Eventually, you will totally discover a further experience and talent by spending more cash. still when? pull off you acknowledge that you require to acquire those all needs in the same way as having significantly cash? Why dont you try to get something basic in the beginning? Thats something that will lead you to comprehend even more a propos the globe, experience, some places, later than history, amusement, and a lot more?

It is your no question own mature to fake reviewing habit. in the course of guides you could enjoy now is **I2c C Master** below.

<https://py.bijouxmedusa.com/public/uploaded-files/Documents/review%20for%20creators%2043%2075%20crypto%20trading%20review%20for%20entrepreneurs.pdf>

## **Table of Contents I2c C Master**

1. Understanding the eBook I2c C Master
  - The Rise of Digital Reading I2c C Master
  - Advantages of eBooks Over Traditional Books
2. Identifying I2c C Master
  - Exploring Different Genres
  - Considering Fiction vs. Non-Fiction
  - Determining Your Reading Goals
3. Choosing the Right eBook Platform
  - Popular eBook Platforms
  - Features to Look for in an I2c C Master
  - User-Friendly Interface
4. Exploring eBook Recommendations from I2c C Master
  - Personalized Recommendations
  - I2c C Master User Reviews and Ratings
  - I2c C Master and Bestseller Lists

5. Accessing I2c C Master Free and Paid eBooks
  - I2c C Master Public Domain eBooks
  - I2c C Master eBook Subscription Services
  - I2c C Master Budget-Friendly Options
6. Navigating I2c C Master eBook Formats
  - ePub, PDF, MOBI, and More
  - I2c C Master Compatibility with Devices
  - I2c C Master Enhanced eBook Features
7. Enhancing Your Reading Experience
  - Adjustable Fonts and Text Sizes of I2c C Master
  - Highlighting and Note-Taking I2c C Master
  - Interactive Elements I2c C Master
8. Staying Engaged with I2c C Master
  - Joining Online Reading Communities
  - Participating in Virtual Book Clubs
  - Following Authors and Publishers I2c C Master
9. Balancing eBooks and Physical Books I2c C Master
  - Benefits of a Digital Library
  - Creating a Diverse Reading Collection I2c C Master
10. Overcoming Reading Challenges
  - Dealing with Digital Eye Strain
  - Minimizing Distractions
  - Managing Screen Time
11. Cultivating a Reading Routine I2c C Master
  - Setting Reading Goals I2c C Master
  - Carving Out Dedicated Reading Time
12. Sourcing Reliable Information of I2c C Master
  - Fact-Checking eBook Content of I2c C Master
  - Distinguishing Credible Sources
13. Promoting Lifelong Learning

- Utilizing eBooks for Skill Development
  - Exploring Educational eBooks
14. Embracing eBook Trends
- Integration of Multimedia Elements
  - Interactive and Gamified eBooks

## **I2c C Master Introduction**

Free PDF Books and Manuals for Download: Unlocking Knowledge at Your Fingertips In today's fast-paced digital age, obtaining valuable knowledge has become easier than ever. Thanks to the internet, a vast array of books and manuals are now available for free download in PDF format. Whether you are a student, professional, or simply an avid reader, this treasure trove of downloadable resources offers a wealth of information, conveniently accessible anytime, anywhere. The advent of online libraries and platforms dedicated to sharing knowledge has revolutionized the way we consume information. No longer confined to physical libraries or bookstores, readers can now access an extensive collection of digital books and manuals with just a few clicks. These resources, available in PDF, Microsoft Word, and PowerPoint formats, cater to a wide range of interests, including literature, technology, science, history, and much more. One notable platform where you can explore and download free I2c C Master PDF books and manuals is the internet's largest free library. Hosted online, this catalog compiles a vast assortment of documents, making it a veritable goldmine of knowledge. With its easy-to-use website interface and customizable PDF generator, this platform offers a user-friendly experience, allowing individuals to effortlessly navigate and access the information they seek. The availability of free PDF books and manuals on this platform demonstrates its commitment to democratizing education and empowering individuals with the tools needed to succeed in their chosen fields. It allows anyone, regardless of their background or financial limitations, to expand their horizons and gain insights from experts in various disciplines. One of the most significant advantages of downloading PDF books and manuals lies in their portability. Unlike physical copies, digital books can be stored and carried on a single device, such as a tablet or smartphone, saving valuable space and weight. This convenience makes it possible for readers to have their entire library at their fingertips, whether they are commuting, traveling, or simply enjoying a lazy afternoon at home. Additionally, digital files are easily searchable, enabling readers to locate specific information within seconds. With a few keystrokes, users can search for keywords, topics, or phrases, making research and finding relevant information a breeze. This efficiency saves time and effort, streamlining the learning process and allowing individuals to focus on extracting the information they need. Furthermore, the availability of free PDF books and manuals fosters a culture of continuous learning. By removing financial barriers, more people can access educational resources and pursue lifelong learning, contributing to personal growth and

professional development. This democratization of knowledge promotes intellectual curiosity and empowers individuals to become lifelong learners, promoting progress and innovation in various fields. It is worth noting that while accessing free I2c C Master PDF books and manuals is convenient and cost-effective, it is vital to respect copyright laws and intellectual property rights. Platforms offering free downloads often operate within legal boundaries, ensuring that the materials they provide are either in the public domain or authorized for distribution. By adhering to copyright laws, users can enjoy the benefits of free access to knowledge while supporting the authors and publishers who make these resources available. In conclusion, the availability of I2c C Master free PDF books and manuals for download has revolutionized the way we access and consume knowledge. With just a few clicks, individuals can explore a vast collection of resources across different disciplines, all free of charge. This accessibility empowers individuals to become lifelong learners, contributing to personal growth, professional development, and the advancement of society as a whole. So why not unlock a world of knowledge today? Start exploring the vast sea of free PDF books and manuals waiting to be discovered right at your fingertips.

### **FAQs About I2c C Master Books**

How do I know which eBook platform is the best for me? Finding the best eBook platform depends on your reading preferences and device compatibility. Research different platforms, read user reviews, and explore their features before making a choice. Are free eBooks of good quality? Yes, many reputable platforms offer high-quality free eBooks, including classics and public domain works. However, make sure to verify the source to ensure the eBook credibility. Can I read eBooks without an eReader? Absolutely! Most eBook platforms offer web-based readers or mobile apps that allow you to read eBooks on your computer, tablet, or smartphone. How do I avoid digital eye strain while reading eBooks? To prevent digital eye strain, take regular breaks, adjust the font size and background color, and ensure proper lighting while reading eBooks. What the advantage of interactive eBooks? Interactive eBooks incorporate multimedia elements, quizzes, and activities, enhancing the reader engagement and providing a more immersive learning experience. I2c C Master is one of the best book in our library for free trial. We provide copy of I2c C Master in digital format, so the resources that you find are reliable. There are also many Ebooks of related with I2c C Master. Where to download I2c C Master online for free? Are you looking for I2c C Master PDF? This is definitely going to save you time and cash in something you should think about.

### **Find I2c C Master :**

~~review for creators 43-75 crypto trading review for entrepreneurs~~

cybersecurity trends America 43-2450 cybersecurity trends USA 43-527  
**for small business 43-968 coding for beginners tips for startups 43-266**  
 43-399 side hustles tutorial for creators 43-1517 side hustles tutorial  
 step for startups 43-1496 Instagram growth strategies United States  
 dropshipping business tips for startups 43-2025 dropshipping business  
 marketing tools for small business 43-2237 affiliate marketing trends  
 startups 43-534 TikTok marketing tools for startups 43-872 TikTok  
 practices for creators 43-1023 NFT marketplace best practices for  
 services tips for entrepreneurs 43-1667 VPN services tips for startups  
 passive income ideas blueprint for small business 43-2117 passive income  
 monetization roadmap for creators 43-1684 blog monetization roadmap for  
**NFT marketplace software for entrepreneurs 43-96 NFT marketplace**  
**43-639 mobile app ideas apps United States 43-1566 mobile app ideas apps**  
**luxury travel roadmap America 43-2483 luxury travel roadmap USA 43-725**

### I2c C Master :

NISSAN FORKLIFT Manuals Original factory dealership manuals for NISSAN FORKLIFT by DIY Repair Manuals. Best selection and lowest prices on operator manual, service repair manuals, ... Forklift Manuals & Books for Nissan for sale Get the best deals on Forklift Manuals & Books for Nissan when you shop the largest online selection at eBay.com. Free shipping on many items | Browse your ... NISSAN Forklift Service manuals and Spare parts Catalogs NISSAN GX-40 Diesel forklift. Service Manual. 5050030, GX-45, NISSAN GX-45 Diesel forklift. Service Manual. 5050031, GX-50, NISSAN GX-50 Diesel forklift. Nissan Forklift Parts: Online Catalog Lookup for ... Nissan Forklift Parts Diagram. Below is the sample Nissan part diagram; you can contact us for the pdf of the parts manual or parts diagrams as per your need. Nissan Forklift Service Repair Manuals - Free Download pdf ... Nissan Forklift Diesel 2-3,5 ton Service Guide · Nissan Forklift 1F1, 1F2 Series Operator's Manuals PDF · Nissan Forklift LX-series Operstor's Manual · Nissan ... SERVICE MANUAL The manual is the introduction of structure, working principle and serving of 1t-3.5t R series internal combustion counterbalance forklift truck. For safety and ... Forklift Nissan E349428 7784 hours Nissan Optimum Oct 26, 2021 — Item Details. Forklift Nissan E349428 7784 hours Nissan Optimum 50 Model C2 3fw 475 7511 Location: Atascosa, TX ; PAYMENT INSTRUCTIONS. Payment ... Nissan Forklift Electric P02 Series Service Repair Manual Jun 9, 2020 — This service manual has been prepared to provide necessary information concerning the maintenance and repair procedures for the NISSAN FORKLIFT ... Nissan Optimum 50

Forklift Manual Get Help Looking in a Nissan Forklift Parts Manual. Are you tired of shopping around for your Nissan lift truck? Parts are easy to order on TruPar.com. Oxford American Handbook of Anesthesiology ... The Handbook uses a unique flexicover design that's durable and practical. Compact, light, and fits in your pocket! Also has quick reference tabs, four-color ... Oxford American Handbook of Anesthesiology Product Description. Anesthesiology is a speciality in which practitioners are managing the sedation and anesthesia of surgical patients. Oxford American Handbook of Anesthesiology Bundle. ... Oxford American Handbook of Anesthesiology Bundle. Includes Handbook and CD-ROM for PDA. McQuillan, P. Our Price: \$74.25. Product availability, quantity ... Oxford Handbook of Anaesthesia The bestselling Oxford Handbook of Anaesthesia has been completely updated for this new third edition, featuring new material on regional anaesthesia, and a ... The Oxford American Handbook of Anesthesiology by MS Boger · 2008 — The Oxford American Handbook of Anesthesiology is the first American edition of a successful text with origins in the European anesthesia market. The authors' ... Oxford American Handbook of Anesthesiology At over 1100 pages in pocket format, the Oxford Am. ISBN 978-0-19-530120-5 Edition: 01 Binding: Unknown. Oxford American Handbook of Anesthesiology. McQuillan, P. Oxford American Handbook of Anesthesiology by JB Solomon · 2009 — The handbook is an impressively condensed, useful resource that offers high-yield information from a much larger library in a single volume that totes easily ... Oxford American Handbook of Anesthesiology PDA The Oxford American Handbooks of Medicine, now available in PDA format, each offer a short but comprehensive overview of an entire specialty featuring ... Oxford American Handbook of Anesthesiology ... Written by leading American practitioners, the Oxford American Handbooks in Medicine each offer a pocket-sized overview of an entire specialty, ... Oxford American Handbook of Anesthesiology PDA Oxford American Handbook of Anesthesiology PDA is written by Patrick M McQuillan; Keith G Allman; Iain H Wilson and published by Oxford University Press. Technology Made Simple for the Technical Recruiter ... Written in clear and concise prose, Technology Made Simple for the Technical Recruiter is an invaluable resource for any technical recruiter. Technology Made Simple for the Technical Recruiter, ... Written in clear and concise prose, Technology Made Simple for the Technical Recruiter is an invaluable resource for any technical recruiter. Technology Made Simple for the Technical Recruiter Technology Made Simple for the Technical Recruiter: A Technical Skills Primer ... This guidebook for technical recruiters is an essential resource for those who ... Technology Made Simple for the Technical Recruiter ... This technical skills primer focuses on technology fundamentals—from basic programming terms to big data vocabulary, network lingo, operating system jargon, and ... Technology Made Simple for the Technical Recruiter Sign up. Jump to ratings and reviews. Technology Made Simple for the Technical Recruiter: A Technical Skills Primer. Obi Ogbanufe. 4.00. 105 ratings 11 reviews. Technology Made Simple for the Technical Recruiter Jul 9, 2010 — This guidebook for technical recruiters is an essential resource for those who are serious about keeping their skills up-to-date in the ... Technology Made Simple for the Technical Recruiter ... This technical skills primer focuses on technology

fundamentals—from basic programming terms to big data vocabulary, network lingo, operating system jargon, and ...

Technology Made Simple for the Technical Recruiter ... This technical skills primer focuses on technology

fundamentals—from basic programming terms to big data vocabulary, network lingo, operating system jargon, and ...

Technology Made Simple for the Technical Recruiter ... It is designed to equip recruiters with the necessary knowledge and understanding of technical roles, skills, and requirements. This book is not only a primer ... Technology Made Simple for the Technical Recruiter ... Buy the book Technology Made Simple for the Technical Recruiter, Second Edition: A Technical Skills Primer by obi ogbanufe at Indigo.