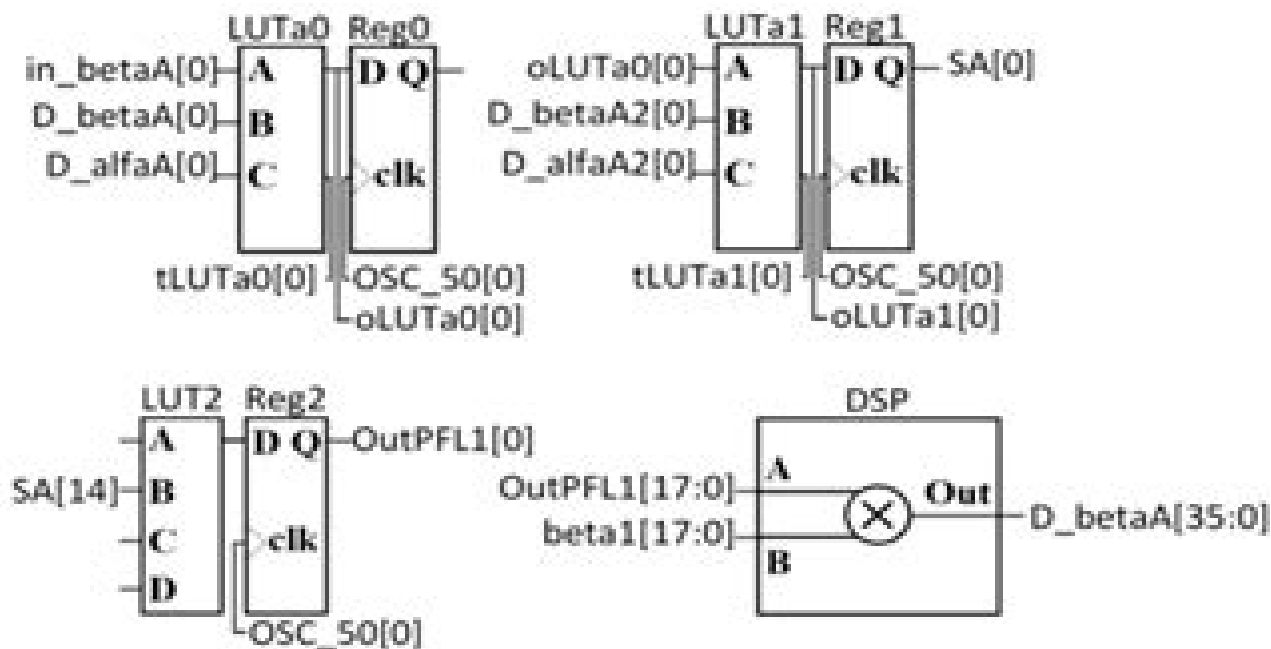


(a)



(b)

```

always@(posedge OSC_50[0])
  OlnPp={
    OlnP[11],OlnP[11],OlnP[11],OlnP[11],OlnP[11],
    OlnP[11],OlnP[11],OlnP[11],OlnP[11],OlnP[11],
    OlnP[11],OlnP[11],OlnP[11],OlnP[11],OlnP[11,0],
    OlnP[0],OlnP[0]};
  in_beta0A = OlnPp*beta0;
end
always@(posedge OSC_50[0])
begin
  D_betaA <= OlnPL1*beta1;
  D_alfaA <= OlnPFL1*alfa1;
  D_betaA2 <= OlnPL2*beta2;
  D_alfaA2 <= OlnPFL2*alfa2;
end

```

(c)

```

always@(negedge OSC_50[0])//
begin
  SA = in_beta0A + D_betaA + D_alfaA
  - D_alfaA2 + D_betaA2;
  OlnPF = SA[27:14];
  OlnPFL2=OlnPFL1;
  OlnPFL1={
    SA[27],
    SA[27],SA[27],SA[27],SA[27],SA[27],
    SA[27],SA[27],SA[27],SA[27],SA[27],
    SA[27],SA[27],SA[27],SA[27],SA[27,14]};
  OlnPL2=OlnPL1;
  OlnPL1=OlnPp;
end

```

Iir Filter Verilog Code Sdocuments2

Minjie Lin



Iir Filter Verilog Code Sdocuments2:

Right here, we have countless ebook **Iir Filter Verilog Code Sdocuments2** and collections to check out. We additionally meet the expense of variant types and moreover type of the books to browse. The normal book, fiction, history, novel, scientific research, as skillfully as various extra sorts of books are readily to hand here.

As this Iir Filter Verilog Code Sdocuments2, it ends occurring living thing one of the favored books Iir Filter Verilog Code Sdocuments2 collections that we have. This is why you remain in the best website to look the unbelievable book to have.

<https://py.bijouxmedusa.com/About/detail/index.jsp/America%2099%201528%20Electric%20Vehicles%20For%20Beginners%20For%20Creators%2099%20146.pdf>

Table of Contents Iir Filter Verilog Code Sdocuments2

1. Understanding the eBook Iir Filter Verilog Code Sdocuments2
 - The Rise of Digital Reading Iir Filter Verilog Code Sdocuments2
 - Advantages of eBooks Over Traditional Books
2. Identifying Iir Filter Verilog Code Sdocuments2
 - Exploring Different Genres
 - Considering Fiction vs. Non-Fiction
 - Determining Your Reading Goals
3. Choosing the Right eBook Platform
 - Popular eBook Platforms
 - Features to Look for in an Iir Filter Verilog Code Sdocuments2
 - User-Friendly Interface
4. Exploring eBook Recommendations from Iir Filter Verilog Code Sdocuments2
 - Personalized Recommendations
 - Iir Filter Verilog Code Sdocuments2 User Reviews and Ratings
 - Iir Filter Verilog Code Sdocuments2 and Bestseller Lists
5. Accessing Iir Filter Verilog Code Sdocuments2 Free and Paid eBooks

- Iir Filter Verilog Code Sdocuments2 Public Domain eBooks
 - Iir Filter Verilog Code Sdocuments2 eBook Subscription Services
 - Iir Filter Verilog Code Sdocuments2 Budget-Friendly Options
6. Navigating Iir Filter Verilog Code Sdocuments2 eBook Formats
 - ePub, PDF, MOBI, and More
 - Iir Filter Verilog Code Sdocuments2 Compatibility with Devices
 - Iir Filter Verilog Code Sdocuments2 Enhanced eBook Features
 7. Enhancing Your Reading Experience
 - Adjustable Fonts and Text Sizes of Iir Filter Verilog Code Sdocuments2
 - Highlighting and Note-Taking Iir Filter Verilog Code Sdocuments2
 - Interactive Elements Iir Filter Verilog Code Sdocuments2
 8. Staying Engaged with Iir Filter Verilog Code Sdocuments2
 - Joining Online Reading Communities
 - Participating in Virtual Book Clubs
 - Following Authors and Publishers Iir Filter Verilog Code Sdocuments2
 9. Balancing eBooks and Physical Books Iir Filter Verilog Code Sdocuments2
 - Benefits of a Digital Library
 - Creating a Diverse Reading Collection Iir Filter Verilog Code Sdocuments2
 10. Overcoming Reading Challenges
 - Dealing with Digital Eye Strain
 - Minimizing Distractions
 - Managing Screen Time
 11. Cultivating a Reading Routine Iir Filter Verilog Code Sdocuments2
 - Setting Reading Goals Iir Filter Verilog Code Sdocuments2
 - Carving Out Dedicated Reading Time
 12. Sourcing Reliable Information of Iir Filter Verilog Code Sdocuments2
 - Fact-Checking eBook Content of Iir Filter Verilog Code Sdocuments2
 - Distinguishing Credible Sources
 13. Promoting Lifelong Learning
 - Utilizing eBooks for Skill Development

- Exploring Educational eBooks
14. Embracing eBook Trends
- Integration of Multimedia Elements
 - Interactive and Gamified eBooks

Iir Filter Verilog Code Sdocuments2 Introduction

In the digital age, access to information has become easier than ever before. The ability to download Iir Filter Verilog Code Sdocuments2 has revolutionized the way we consume written content. Whether you are a student looking for course material, an avid reader searching for your next favorite book, or a professional seeking research papers, the option to download Iir Filter Verilog Code Sdocuments2 has opened up a world of possibilities. Downloading Iir Filter Verilog Code Sdocuments2 provides numerous advantages over physical copies of books and documents. Firstly, it is incredibly convenient. Gone are the days of carrying around heavy textbooks or bulky folders filled with papers. With the click of a button, you can gain immediate access to valuable resources on any device. This convenience allows for efficient studying, researching, and reading on the go. Moreover, the cost-effective nature of downloading Iir Filter Verilog Code Sdocuments2 has democratized knowledge. Traditional books and academic journals can be expensive, making it difficult for individuals with limited financial resources to access information. By offering free PDF downloads, publishers and authors are enabling a wider audience to benefit from their work. This inclusivity promotes equal opportunities for learning and personal growth. There are numerous websites and platforms where individuals can download Iir Filter Verilog Code Sdocuments2. These websites range from academic databases offering research papers and journals to online libraries with an expansive collection of books from various genres. Many authors and publishers also upload their work to specific websites, granting readers access to their content without any charge. These platforms not only provide access to existing literature but also serve as an excellent platform for undiscovered authors to share their work with the world. However, it is essential to be cautious while downloading Iir Filter Verilog Code Sdocuments2. Some websites may offer pirated or illegally obtained copies of copyrighted material. Engaging in such activities not only violates copyright laws but also undermines the efforts of authors, publishers, and researchers. To ensure ethical downloading, it is advisable to utilize reputable websites that prioritize the legal distribution of content. When downloading Iir Filter Verilog Code Sdocuments2, users should also consider the potential security risks associated with online platforms. Malicious actors may exploit vulnerabilities in unprotected websites to distribute malware or steal personal information. To protect themselves, individuals should ensure their devices have reliable antivirus software installed and validate the legitimacy of the websites they are downloading from. In conclusion, the ability to download Iir Filter Verilog Code Sdocuments2 has transformed the way we access information.

With the convenience, cost-effectiveness, and accessibility it offers, free PDF downloads have become a popular choice for students, researchers, and book lovers worldwide. However, it is crucial to engage in ethical downloading practices and prioritize personal security when utilizing online platforms. By doing so, individuals can make the most of the vast array of free PDF resources available and embark on a journey of continuous learning and intellectual growth.

FAQs About Iir Filter Verilog Code Sdocuments2 Books

1. Where can I buy Iir Filter Verilog Code Sdocuments2 books? Bookstores: Physical bookstores like Barnes & Noble, Waterstones, and independent local stores. Online Retailers: Amazon, Book Depository, and various online bookstores offer a wide range of books in physical and digital formats.
2. What are the different book formats available? Hardcover: Sturdy and durable, usually more expensive. Paperback: Cheaper, lighter, and more portable than hardcovers. E-books: Digital books available for e-readers like Kindle or software like Apple Books, Kindle, and Google Play Books.
3. How do I choose a Iir Filter Verilog Code Sdocuments2 book to read? Genres: Consider the genre you enjoy (fiction, non-fiction, mystery, sci-fi, etc.). Recommendations: Ask friends, join book clubs, or explore online reviews and recommendations. Author: If you like a particular author, you might enjoy more of their work.
4. How do I take care of Iir Filter Verilog Code Sdocuments2 books? Storage: Keep them away from direct sunlight and in a dry environment. Handling: Avoid folding pages, use bookmarks, and handle them with clean hands. Cleaning: Gently dust the covers and pages occasionally.
5. Can I borrow books without buying them? Public Libraries: Local libraries offer a wide range of books for borrowing. Book Swaps: Community book exchanges or online platforms where people exchange books.
6. How can I track my reading progress or manage my book collection? Book Tracking Apps: Goodreads, LibraryThing, and Book Catalogue are popular apps for tracking your reading progress and managing book collections. Spreadsheets: You can create your own spreadsheet to track books read, ratings, and other details.
7. What are Iir Filter Verilog Code Sdocuments2 audiobooks, and where can I find them? Audiobooks: Audio recordings of books, perfect for listening while commuting or multitasking. Platforms: Audible, LibriVox, and Google Play Books offer a wide selection of audiobooks.
8. How do I support authors or the book industry? Buy Books: Purchase books from authors or independent bookstores. Reviews: Leave reviews on platforms like Goodreads or Amazon. Promotion: Share your favorite books on social media

or recommend them to friends.

9. Are there book clubs or reading communities I can join? Local Clubs: Check for local book clubs in libraries or community centers. Online Communities: Platforms like Goodreads have virtual book clubs and discussion groups.
10. Can I read Iir Filter Verilog Code Sdocuments2 books for free? Public Domain Books: Many classic books are available for free as they're in the public domain. Free E-books: Some websites offer free e-books legally, like Project Gutenberg or Open Library.

Find Iir Filter Verilog Code Sdocuments2 :

America 99-1528 electric vehicles for beginners for creators 99-146

USA 99-824 cloud computing examples United States 99-2062 cloud

99-2090 startup funding tutorial for entrepreneurs 99-387 startup

99-251 resume writing explained for startups 99-2354 resume writing for

small business 99-652 affiliate marketing tips for small business

creators 99-1709 luxury travel review for entrepreneurs 99-2708 luxury

monetization guide for small business 99-333 blog monetization ideas

checklist for small business 99-388 business automation comparison for

investing tools for entrepreneurs 99-1339 crypto investing tools for

creators 99-2069 freelancing online strategies for entrepreneurs 99-1137

United States 99-1555 mental wellness for beginners for creators 99-772

United States 99-1854 content marketing explained for small business

comparison America 99-2731 cloud computing comparison for creators

creators 99-1342 self improvement for beginners for startups 99-336 self

step by step for startups 99-2415 YouTube growth step by step for

Iir Filter Verilog Code Sdocuments2 :

accurizing the factory rifle amazon com - Sep 23 2023

web jan 1 2000 deals in considerable depth with the topic of accurizing the factory rifle covers bolt action rifles in detail with coverage for lever actions pumps and single shot rifles as well not for major gunsmithing such as chambering the book is intended for minor corrective work and is fully illustrated

[rifle accurizing package cross canyon arms](#) - Jun 08 2022

web rifle accurizing package if your looking to get the best out of your factory rifle then you ve come to the right place cross canyon s rigorous accuracy methods are the best in the industry and top notch

factory rifle accurizations aquilla custom gun works - Apr 06 2022

web factory rifle accurizations we will accurize your factory rifle to squeeze every bit of accuracy out of it this option is not limited to just bolt action rifles but if it is a rifle that would be a lost hope we will tell you that what we want is consistency across the board with multiple types of ammunition

accurizing your rifle union sportsmen s alliance - Jan 15 2023

web apr 3 2012 though all styles of rifles can benefit from accurizing by and large the most common candidate for accurizing is the bolt action rifle choosing the components if you are accurizing or having a rifle built from scratch take the time to research your options for actions barrels and stocks as well as any other accessory you might want or

[amazon com customer reviews accurizing the factory rifle](#) - Feb 16 2023

web this book accurizing the factory rifle is a prescription to ruin firearms i ve never seen someone s advice to remove sand grind alter make better modify change hocus pocus poor advice than this book

accurizing the factory rifle paperback jan 1 1883 amazon ca - Apr 18 2023

web deals in considerable depth with the topic of accurizing the factory rifle covers bolt action rifles in detail with coverage for lever actions pumps and single shot rifles as well not for major gunsmithing such as chambering the book is intended for minor corrective work and is fully illustrated language english publisher

[accurizing bolt action rifles riflemagazine](#) - Nov 13 2022

web it doesn t really take a vast amount of accurizing to remove the typical flaws in a factory rifle such as a free floated barrel that is not really floated however more refined accurizing can cut groups in half with loads the rifle did not like

[accurizing a factory howa 1500 270 win long range hunting forum](#) - Mar 05 2022

web apr 4 2019 775 location frederick md mar 24 2019 4 h4831 is also what i have used in my 270 win but i have also had good accuracy with rl22 and imr4350 my rifle is a weatherby vanguard in a b c hunting stock it shoots pretty good but i just haven t hunted with it in a few years

[accurizing the factory lever part 1 enough gun](#) - Aug 10 2022

web dec 12 2022 accurizing the factory lever part 1 by in2anity wed may 29 2019 4 57 am as promised to a couple of members here s an article i ve been working for a while from my blog it really should probably be in the gunsmithing section but i figure more lever gun laymen may see it here one day there will be a part 2 but that s still a long way off

accurizing the factory rifle long range hunting forum - Jul 09 2022

web jan 8 2010 reloading is the next biggie telling you the best factory ammo is a crap shoot i have seen guns shoot cheap ammo very well but hate premium ammo with reloading you can optimized and overall this is usually the biggest factor in maxing out accuracy for lrh the scope is next

how to accurize your rifle an official journal of the nra - Sep 11 2022

web feb 20 2023 ammunition that you load yourself or test by lot number if you are using factory ammunition will give you some control over the consistency of ammunition performance in a particular gun

5 steps to accurizing your hunting rifle shoot on - Aug 22 2023

web jul 2 2019 to test your rifle ammunition combination 1 stay with the same bullet weight 2 purchase different types brands of ammunition 3 shoot five shot groups from a solid rest 4 on the same day fire each ammunition type on target use a new target each time you change ammunition

best steps for accurizing your rifle 360 precision - Oct 12 2022

web insights insights best steps for accurizing your rifle below are many of the most common steps that you can take to improve the accuracy of your rifle having a gunsmith perform the below steps will help improve your rifle s accuracy and make you a better shooter 1 re cut the face of the action true with the bore so what does this mean

10 ways to accurize your rifle timney triggers - May 19 2023

web some guns have their metal actions directly attached to a metal chassis while others have a full or partial length aluminum bedding block molded into a synthetic stock some rifles come from the factory already glass bedded or pillar bedded or both but these tend to be more expensive models

amazon com customer reviews accurizing the factory rifle - Dec 14 2022

web find helpful customer reviews and review ratings for accurizing the factory rifle at amazon com read honest and unbiased product reviews from our users

articles on accurizing a lever action shooters forum - Feb 04 2022

web feb 20 2017 one of the best articles on accurizing the lever action rifles are lever action rifles by c h helbig and p b cain from the 19th edition of the gun digest 1965 this is a good article with specific recommendations and accuracy results

accurizing the factory rifle book by m l mcpherson midwayusa - Mar 17 2023

web date of publication not listed number of pages 340 summary of material learn the techniques tips and tricks used by master gunsmiths to accurize any factory rifle bolt action semi auto pump lever action or single shot covers every aspect of the rifle from crown to buttpad and all areas in between

straightshooterbooks com accurizing the factory rifle - May 07 2022

web accurizing the factory rifle m l mcpherson availability in stock sku 1730 manufacturer part number 0 9670948 3 6 129

95 add to cart add to wishlist add to compare list email a friend

gunsmithing step by step accurizing a factory rifle - Jul 21 2023

web aug 25 2023 accurizing the factory rifle was published by precision shooting inc in 1999 it covers a myriad of subjects problems and how the average guy can do what needs to be done to accurize his factory rifle

rifle accurising services terminal ballistics research - Jun 20 2023

web factory rifle accurizing involves bedding stock stabilizing of plastic gun stocks trigger alterations lapping the bore and test shooting along with load development for hand loaders our accurising services are also built into tutorial packages day tutorials long range tutorial hunts

daf as tronic fault codes dtc truckmanualsnet - Mar 02 2023

web daf fault codes 1 daf fault codes 2 daf fault codes 3 daf fault codes 4 daf fault codes 5 daf fault codes 6 daf fault codes 7 daf fault codes 8 daf fault codes 9 daf fault codes 10 daf fault codes 11 daf fault codes 12 datsun david brown dayun detroit diesel detroit diesel fault codes deutz deutz fahr deutz

daf lf cf xf truck fault codes dtc emas pdf for free - Sep 27 2022

web daf lf cf xf truck fault codes dtc emas pdf for free daf lf45 lf55 cf65 cf75 cf85 xf95 trucks fault codes dtc 601 15 insufficient pressure control by the relief valve sp201 the liquid flow is not controlled due to a mechanical lock pressure relief valve sp201 slave bridge in a central position and no longer moves 601 16

[fault codes daf codigos error daf manuales camion](#) - Feb 18 2022

web fault codes daf codigos error daf daf lf sf xf notes to the fault codes ecas 2 01 internal fault in the ecas 2 as a result of the electronic unit incorrect programming of parameters no additional system constraints 02 internal fault in the ecas 2 as a result of the electronic unit gauge height sensor data

daf truck fault codes procarmanuals com - Jun 24 2022

web daf fault codes caution two main modes are used for diagnostics current self test and testing to obtain the output diagnostic code you must perform the following procedures 1 check the initial conditions a the battery voltage is not less than 11 volts b throttle valve completely closed

daf trucks service workshop manuals pdf - Oct 29 2022

web jun 17 2018 daf trucks daf netherlands is a manufacturer of powerful chassis and saddle tractors which are in high demand due to impeccable assembly which ensures the high reliability and efficiency of this cargo equipment the history of the brand began in the 1920s of the last century when the brothers van dorna brothers began to release trailers

daf air suspension control fault codes classtrucks com - May 04 2023

web daf air suspension control fault codes also called ecas this code provides service and fixing information for the daf

electronically controlled air suspension it ensures that the axle road ratio is correct as the sensors measure the actual pressure per axle

common commercial vehicle fault codes eclipse - May 24 2022

web aug 10 2023 back to latest news common commercial vehicle fault codes mercedes man scania daf volvo iveco 10 08 2023 tags cv commercial vehicles such as heavy duty trucks are intricate machines that rely

[daf cf service repair manuals wiring diagrams pdf](#) - Jul 26 2022

web sep 2 2022 0 comment daf cf65 cf75 and cf85 operators service and maintenance manuals error codes list dtc spare parts manuals catalogues wiring diagrams schematics free download pdf see also daf trucks service workshop manuals pdf daf fault codes list engine control units dmci

[daf xf trucks buyers guide classtrucks com](#) - Apr 03 2023

web our comprehensive guide to daf fault codes and diagnostic procedures consists of the most crucial information when it comes to daf vehicles technical failures starting with engine misfires to electrical faults our guide will introduce a wide range of potential issues and provide step by step instructions for identifying and resolving them

daf anti lock brake system fault codes classtrucks com - Apr 22 2022

web here is the list with daf anti lock brake system fault codes and descriptions some common fault codes for daf xf trucks are abs errors product was added to favourites for 30 days

[daf cf lf xf truck fault codes dtc hydronic d3lc](#) - Mar 22 2022

web daf fault codes daf lf45 lf55 cf65 cf75 cf85 xf95 trucks fault codes dtc 0 0 internal communications failure in the electronic control unit d901 as a result of the electronic control unit malfunction cabin heater does not start or work intermittently 0 1

daf ecas airtronic fault codes dtc truckmanualsnet - Dec 31 2022

web daf fault codes 1 daf fault codes 2 daf fault codes 3 daf fault codes 4 daf fault codes 5 daf fault codes 6 daf fault codes 7 daf fault codes 8 daf fault codes 9 daf fault codes 10 daf fault codes 11 daf fault codes 12 datsun david brown dayun detroit diesel detroit diesel fault codes deutz deutz fahr deutz

daf upec fault codes classtrucks com - Jun 05 2023

web daf upec fault codes list upec stands for detection of the instability of the electronic control unit this code identifies the malfunction of internal communication in the electronic unit management

[daf ecas 2 fault codes dtc truckmanualsnet](#) - Feb 01 2023

web daf trucks fault codes ecas 2 diagnostic trouble codes list in pdf format including daf ecas 2 fault codes dtc truckmanualsnet introduction truck news truck forklift excavator tractor aec allison fault codes allison 3000 fault codes

ahrens fox aichi albion allis chalmers american lafrance amw ariens ashok leyland

[daf abs asr d fault codes dtc truckmanualsnet](#) - Nov 29 2022

web daf fault codes 1 daf fault codes 2 daf fault codes 3 daf fault codes 4 daf fault codes 5 daf fault codes 6 daf fault codes 7 daf fault codes 8 daf fault codes 9 daf fault codes 10 daf fault codes 11 daf fault codes 12 datsun david brown dayun detroit diesel detroit diesel fault codes deutz deutz fahr deutz

[*daf fault codes for engine control units dmci 1 pdf*](#) - Aug 07 2023

web daf fault codes for engine control units dmci 1 pdf free download as pdf file pdf text file txt or read online for free

[*daf truck fault error codes list engine control units pdf*](#) - Oct 09 2023

web aug 2 2018 fault codes for engine control units dmci signals from the distribution shaft sensor f558 and the crankshaft speed sensor f552 failure or contamination of the crankshaft speed sensor f552 and or distribution shaft sensor f558 too large air gap between the crankshaft speed sensor f552 and flywheel

daf abs asr fault codes dtc truckmanualsnet - Aug 27 2022

web daf abs asr fault codes dtc truckmanualsnet introduction truck news truck forklift excavator tractor aec allison fault codes allison 3000 fault codes ahrens fox aichi albion allis chalmers american lafrance amw ariens ashok leyland astra atlas ausa autocar avia balkancar baoli baw fault codes bedford beifang benchi

daf engine control units fault codes classtrucks com - Jul 06 2023

web daf engine control units fault codes list the electronic unit in the daf vehicles provides power control for the heating element and identifies faults occurring there the codes identifying such problems are called dmci codes

daf fault codes classtrucks com find the solution - Sep 08 2023

web our comprehensive guide to daf fault codes and diagnostic procedures consists of the most crucial information when it comes to daf vehicles technical failures starting with engine misfires to electrical faults our guide will introduce a wide range of potential issues and provide step by step instructions for identifying and resolving them

40 days of discipleship grace communion - Aug 06 2023

web if you read about 15 minutes per day you ll be done in 40 days some people might want to go faster others slower since you set your own pace you will need some self discipline

40 days of discipleship 1 a self paced doctrinal 2022 lfe - Jun 23 2022

web the adventure begins 40 days of discipleship is a three volume self paced curriculum for advanced study in the doctrine and incarnational trinitarian theology taught by

40 days of discipleship 1 a self paced doctrinal robert mimpriss - Jan 19 2022

web jul 7 2016 40 days of discipleship a self paced doctrinal education plan volume 2 the second 40 days tkach joseph

morrison michael d deddo gary w on

40 days of discipleship 1 a self paced doctrinal education plan - Mar 01 2023

web 40 days of discipleship 1 book read reviews from world s largest community for readers we recommend that church leaders pursue formal education that gi

40 days of discipleship gci org - Apr 02 2023

web buy 40 days of discipleship 1 a self paced doctrinal education plan volume 1 1 by tkach joseph morrison michael d feazell j michael isbn 9781534964815 from

40 days of discipleship gci org - Jul 05 2023

web oct 12 2023 40 days of discipleship 1 a self paced doctrinal title 40 days of discipleship 1 a self paced doctrinal book ead3 archivists org subject 40

40 days of discipleship gci org - Nov 28 2022

web jun 8 2018 40 days of discipleship 1 a self paced doctrinal instruction plan ebook international grace morrison michael feazell michael tkach joseph amazon ca

40 days of discipleship 1 a self paced doctrinal education plan - Dec 30 2022

web 40 days of discipleship volume 3 iii introduction a self paced doctrinal education plan this is the third volume in our series for church leaders who want to continue their theo

40 days of discipleship a self paced doctrinal education plan - Apr 21 2022

web look guide 40 days of discipleship 1 a self paced doctrinal as you such as by searching the title publisher or authors of guide you in point of fact want you can

40 days of discipleship 1 a self paced doctrinal book - Jun 04 2023

web advances in self research monograph series publishes scholarly works that primarily focus on self concept research and pertain to a broad array of self related constructs and

40 days of discipleship 1 a self paced doctrinal instruction plan - Jan 31 2023

web 40 days of discipleship 1 a self paced doctrinal education plan volume 1 tkach joseph morrison michael d feazell j michael amazon com au books

40 days of discipleship 1 a self paced doctrinal download only - May 03 2023

web 40 days of discipleship volume 2 iii introduction a self paced doctrinal education plan this is the second volume in our series for church leaders who want to begin their theo

40 days of discipleship grace communion church - May 23 2022

web 40 days of discipleship a self paced doctrinal education plan the second 40 days ebook international grace morrison

michael deddo gary tkach joseph

40 days of discipleship a self paced doctrinal education plan - Dec 18 2021

40 days of discipleship a self paced doctrinal education plan - Aug 26 2022

web 40 days of discipleship 1 a self paced doctrinal education plan softcover 0 avg rating 0 ratings by goodreads softcover isbn 10 1534964819 isbn 13

discipleship 40 days of discipleship a self paced doctrinal - Sep 07 2023

web 40 days of discipleship a self paced doctrinal instruction plan gci archive discipleship 40 days of discipleship a self paced doctrinal instruction plan we

40 days of discipleship 1 a self paced doctrinal - Oct 08 2023

web jun 26 2016 40 days of discipleship 1 a self paced doctrinal education plan tkach joseph morrison michael d feazell j michael on amazon com free shipping on qualifying offers 40 days of discipleship 1 a self paced doctrinal education plan

40 days of discipleship 1 a self paced doctrinal education plan - Jul 25 2022

web 40 days of discipleship 1 a self paced doctrinal 1 omb no 40 days of discipleship 1 a self paced doctrinal 40 days of discipleship getting started part 1 40 days

40 days of discipleship 1 a self paced doctrinal instruction plan - Sep 26 2022

web 40 days of discipleship a self paced doctrinal education plan volume 1 introducing the fbh church of god of the americas baptist handbook for church members the

40 days of discipleship 1 a self paced doctrinal instruction plan - Oct 28 2022

web 40 days of discipleship 1 a self paced doctrinal instruction plan ebook international grace morrison michael feazell michael tkach joseph amazon com au kindle store

40 days of discipleship 1 a self paced doctrinal henry ward - Mar 21 2022

web 40 dias de discipulado 1 40 days discipleship 1 the way of discipleship 40 days with jesus the god who comforts deep discipleship clueless 40 days with jesus making

40 days of discipleship 1 a self paced doctrinal pdf - Feb 17 2022

web 1 40 days of discipleship 1 a self paced doctrinal getting the books 40 days of discipleship 1 a self paced doctrinal now is not type of challenging means you could