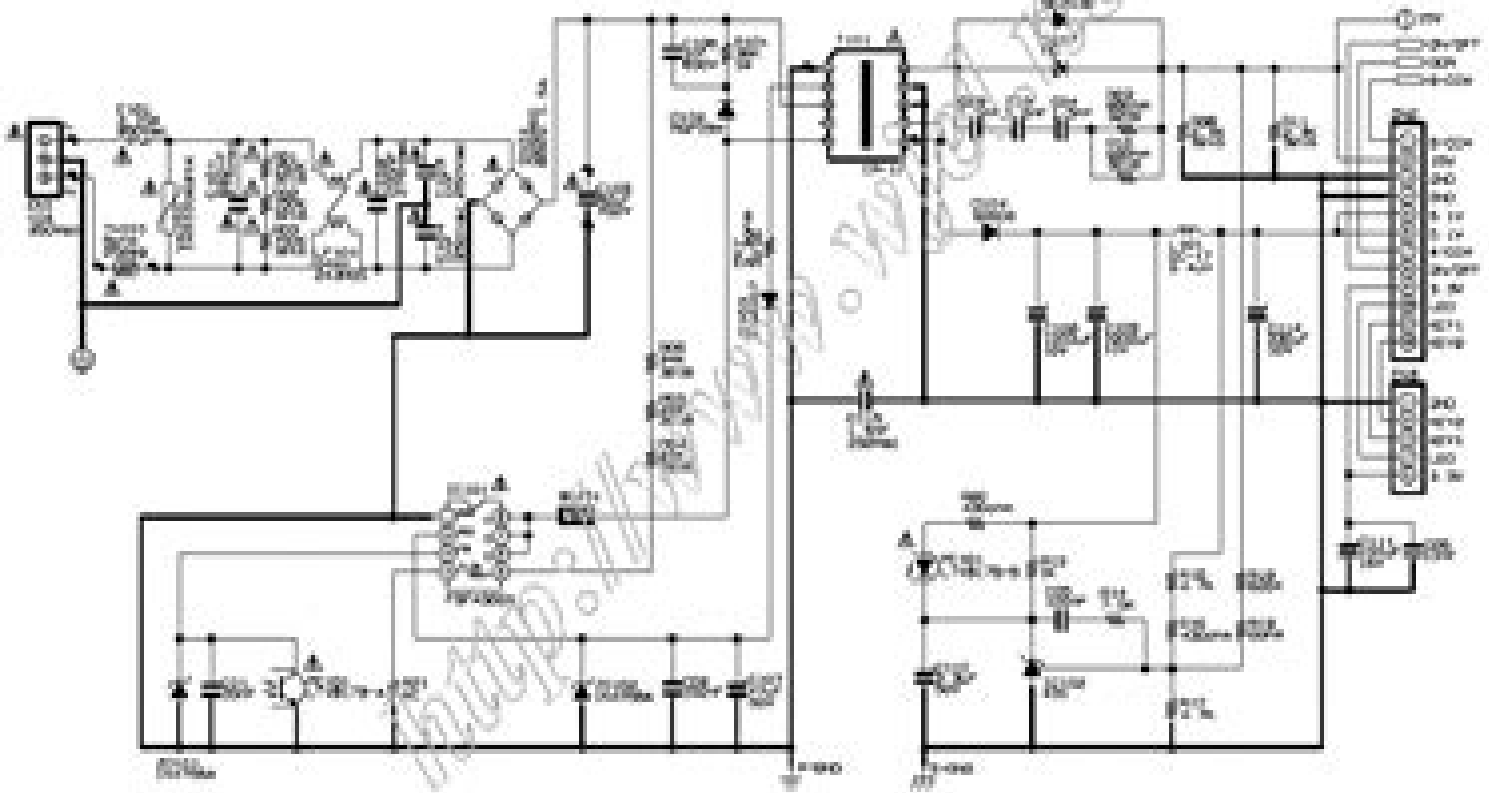


(A) POWER 電源

MC/CR 1B-D' W 2L



Ip 23155a Schematic

Ensheng Dong



Ip 23155a Schematic:

Unveiling the Energy of Verbal Artistry: An Emotional Sojourn through **Ip 23155a Schematic**

In some sort of inundated with monitors and the cacophony of instant interaction, the profound power and psychological resonance of verbal beauty often fade in to obscurity, eclipsed by the continuous barrage of sound and distractions. However, set within the musical pages of **Ip 23155a Schematic**, a interesting function of fictional brilliance that impulses with organic feelings, lies an unforgettable trip waiting to be embarked upon. Published by a virtuoso wordsmith, that enchanting opus manuals readers on a psychological odyssey, gently revealing the latent possible and profound impact stuck within the delicate internet of language. Within the heart-wrenching expanse with this evocative examination, we will embark upon an introspective exploration of the book is main themes, dissect their captivating publishing style, and immerse ourselves in the indelible effect it leaves upon the depths of readers souls.

<https://py.bijouxmedusa.com/files/publication/fetch.php/Dream%20In%20Kohler.pdf>

Table of Contents Ip 23155a Schematic

1. Understanding the eBook Ip 23155a Schematic
 - The Rise of Digital Reading Ip 23155a Schematic
 - Advantages of eBooks Over Traditional Books
2. Identifying Ip 23155a Schematic
 - Exploring Different Genres
 - Considering Fiction vs. Non-Fiction
 - Determining Your Reading Goals
3. Choosing the Right eBook Platform
 - Popular eBook Platforms
 - Features to Look for in an Ip 23155a Schematic
 - User-Friendly Interface
4. Exploring eBook Recommendations from Ip 23155a Schematic
 - Personalized Recommendations

- Ip 23155a Schematic User Reviews and Ratings
- Ip 23155a Schematic and Bestseller Lists
- 5. Accessing Ip 23155a Schematic Free and Paid eBooks
 - Ip 23155a Schematic Public Domain eBooks
 - Ip 23155a Schematic eBook Subscription Services
 - Ip 23155a Schematic Budget-Friendly Options
- 6. Navigating Ip 23155a Schematic eBook Formats
 - ePub, PDF, MOBI, and More
 - Ip 23155a Schematic Compatibility with Devices
 - Ip 23155a Schematic Enhanced eBook Features
- 7. Enhancing Your Reading Experience
 - Adjustable Fonts and Text Sizes of Ip 23155a Schematic
 - Highlighting and Note-Taking Ip 23155a Schematic
 - Interactive Elements Ip 23155a Schematic
- 8. Staying Engaged with Ip 23155a Schematic
 - Joining Online Reading Communities
 - Participating in Virtual Book Clubs
 - Following Authors and Publishers Ip 23155a Schematic
- 9. Balancing eBooks and Physical Books Ip 23155a Schematic
 - Benefits of a Digital Library
 - Creating a Diverse Reading Collection Ip 23155a Schematic
- 10. Overcoming Reading Challenges
 - Dealing with Digital Eye Strain
 - Minimizing Distractions
 - Managing Screen Time
- 11. Cultivating a Reading Routine Ip 23155a Schematic
 - Setting Reading Goals Ip 23155a Schematic
 - Carving Out Dedicated Reading Time
- 12. Sourcing Reliable Information of Ip 23155a Schematic
 - Fact-Checking eBook Content of Ip 23155a Schematic

- Distinguishing Credible Sources
- 13. Promoting Lifelong Learning
 - Utilizing eBooks for Skill Development
 - Exploring Educational eBooks
- 14. Embracing eBook Trends
 - Integration of Multimedia Elements
 - Interactive and Gamified eBooks

Ip 23155a Schematic Introduction

In this digital age, the convenience of accessing information at our fingertips has become a necessity. Whether its research papers, eBooks, or user manuals, PDF files have become the preferred format for sharing and reading documents. However, the cost associated with purchasing PDF files can sometimes be a barrier for many individuals and organizations. Thankfully, there are numerous websites and platforms that allow users to download free PDF files legally. In this article, we will explore some of the best platforms to download free PDFs. One of the most popular platforms to download free PDF files is Project Gutenberg. This online library offers over 60,000 free eBooks that are in the public domain. From classic literature to historical documents, Project Gutenberg provides a wide range of PDF files that can be downloaded and enjoyed on various devices. The website is user-friendly and allows users to search for specific titles or browse through different categories. Another reliable platform for downloading Ip 23155a Schematic free PDF files is Open Library. With its vast collection of over 1 million eBooks, Open Library has something for every reader. The website offers a seamless experience by providing options to borrow or download PDF files. Users simply need to create a free account to access this treasure trove of knowledge. Open Library also allows users to contribute by uploading and sharing their own PDF files, making it a collaborative platform for book enthusiasts. For those interested in academic resources, there are websites dedicated to providing free PDFs of research papers and scientific articles. One such website is Academia.edu, which allows researchers and scholars to share their work with a global audience. Users can download PDF files of research papers, theses, and dissertations covering a wide range of subjects. Academia.edu also provides a platform for discussions and networking within the academic community. When it comes to downloading Ip 23155a Schematic free PDF files of magazines, brochures, and catalogs, Issuu is a popular choice. This digital publishing platform hosts a vast collection of publications from around the world. Users can search for specific titles or explore various categories and genres. Issuu offers a seamless reading experience with its user-friendly interface and allows users to download PDF files for offline reading. Apart from dedicated platforms, search engines also play a crucial role in finding free PDF files. Google, for instance, has an advanced search

feature that allows users to filter results by file type. By specifying the file type as "PDF," users can find websites that offer free PDF downloads on a specific topic. While downloading Ip 23155a Schematic free PDF files is convenient, its important to note that copyright laws must be respected. Always ensure that the PDF files you download are legally available for free. Many authors and publishers voluntarily provide free PDF versions of their work, but its essential to be cautious and verify the authenticity of the source before downloading Ip 23155a Schematic. In conclusion, the internet offers numerous platforms and websites that allow users to download free PDF files legally. Whether its classic literature, research papers, or magazines, there is something for everyone. The platforms mentioned in this article, such as Project Gutenberg, Open Library, Academia.edu, and Issuu, provide access to a vast collection of PDF files. However, users should always be cautious and verify the legality of the source before downloading Ip 23155a Schematic any PDF files. With these platforms, the world of PDF downloads is just a click away.

FAQs About Ip 23155a Schematic Books

1. Where can I buy Ip 23155a Schematic books? Bookstores: Physical bookstores like Barnes & Noble, Waterstones, and independent local stores. Online Retailers: Amazon, Book Depository, and various online bookstores offer a wide range of books in physical and digital formats.
2. What are the different book formats available? Hardcover: Sturdy and durable, usually more expensive. Paperback: Cheaper, lighter, and more portable than hardcovers. E-books: Digital books available for e-readers like Kindle or software like Apple Books, Kindle, and Google Play Books.
3. How do I choose a Ip 23155a Schematic book to read? Genres: Consider the genre you enjoy (fiction, non-fiction, mystery, sci-fi, etc.). Recommendations: Ask friends, join book clubs, or explore online reviews and recommendations. Author: If you like a particular author, you might enjoy more of their work.
4. How do I take care of Ip 23155a Schematic books? Storage: Keep them away from direct sunlight and in a dry environment. Handling: Avoid folding pages, use bookmarks, and handle them with clean hands. Cleaning: Gently dust the covers and pages occasionally.
5. Can I borrow books without buying them? Public Libraries: Local libraries offer a wide range of books for borrowing. Book Swaps: Community book exchanges or online platforms where people exchange books.
6. How can I track my reading progress or manage my book collection? Book Tracking Apps: Goodreads, LibraryThing, and Book Catalogue are popular apps for tracking your reading progress and managing book collections. Spreadsheets:

You can create your own spreadsheet to track books read, ratings, and other details.

7. What are Ip 23155a Schematic audiobooks, and where can I find them? Audiobooks: Audio recordings of books, perfect for listening while commuting or multitasking. Platforms: Audible, LibriVox, and Google Play Books offer a wide selection of audiobooks.
8. How do I support authors or the book industry? Buy Books: Purchase books from authors or independent bookstores. Reviews: Leave reviews on platforms like Goodreads or Amazon. Promotion: Share your favorite books on social media or recommend them to friends.
9. Are there book clubs or reading communities I can join? Local Clubs: Check for local book clubs in libraries or community centers. Online Communities: Platforms like Goodreads have virtual book clubs and discussion groups.
10. Can I read Ip 23155a Schematic books for free? Public Domain Books: Many classic books are available for free as they're in the public domain. Free E-books: Some websites offer free e-books legally, like Project Gutenberg or Open Library.

Find Ip 23155a Schematic :

dream in kohler

[download behavior modification principles and procedures 5th pdf](#)

[discrete mathematics by gary chartrand ping zhang](#)

[dont lose out work rujuta diwekar](#)

download legal and ethical issues in nursing 6th edition pdf

[draw results malta ghana](#)

download c s french data processing and information technology

[discrete mathematics and its applications 7th edition solutions](#)

[drupal 8 development cookbook](#)

disrupt you master personal transformation seize opportunity and thrive in the era of endless innovation

dubai municipality approved civil engineer list

[disease list pdf louise hay h6q6hannonjoypaperie](#)

[dynamics of environmental bioprocesses modelling and simulation](#)

[donald neamen solution 3rd edition](#)

[domina](#)

Ip 23155a Schematic :

colour and meaning in ancient rome cambridge classical - Apr 30 2022

web colour and meaning in ancient rome cambridge classical studies bradley mark amazon com tr

colour and meaning in ancient rome cambridge classical studies - Feb 26 2022

web buy colour and meaning in ancient rome cambridge classical studies reissue by bradley mark isbn 9780521291224 from amazon s book store everyday low prices and free delivery on eligible orders colour and meaning in ancient rome cambridge classical studies amazon co uk bradley mark 9780521291224 books

colour and meaning in ancient rome cambridge classical studies - Mar 10 2023

web jun 9 2011 by drawing together evidence from contemporary philosophers elegists epic writers historians and satirists mark bradley reinstates colour as an essential informative unit for the classification and evaluation of the roman world

colour and meaning in ancient rome worldcat org - Jun 01 2022

web colour and meaning in ancient rome author mark bradley summary this volume explores the definition and function of colour in rome during the early empire using a wide variety of contemporary sources print book english 2009 edition view all formats and editions publisher cambridge university press cambridge 2009

colour and meaning in ancient rome cambridge - Sep 16 2023

web colour and meaning in ancient rome the study of colour has become familiar territory in recent anthropology linguistics art history and archaeology classicists however have traditionally subordinated the study of colour to that of form

pdf colour and meaning in ancient rome academia edu - Aug 15 2023

web as shows the example of adjectives referring to purple dye the significance of colour terms often lies in the poetic tradition the ancients themselves considered homer as the highest authority regarding colour in roman elegy colour semantics are the product of a rich intertextual dialogue with earlier greek verse

m bradley colour and meaning in ancient rome - Dec 07 2022

web oct 21 2011 m bradley colour and meaning in ancient rome cambridge cambridge university press 2009 pp xiii 267 illus isbn 9780521110426 55 00

colour and meaning in ancient rome cambridge university - Jun 13 2023

web colour and meaning bradley m colour and meaning in ancient rome pp xvi 267 cambridge cambridge university press 2009 cased 55 us 90 isbn 978 0 521 11042 6 to deucalion and pyrrha after the flood p 182

colour and meaning in ancient rome - Jan 28 2022

web cambridge university press cambridge new york melbourne madrid cape town singapore são paulo delhi dubai tokyo cambridge university press

colour and meaning m bradley colour and meaning in ancient rome - Nov 06 2022

web colour and meaning m bradley colour and meaning in ancient rome pp xvi 267 cambridge cambridge university press 2009 cased 55 us 90 isbn 978 0 521 11042 6 volume 61 issue 1

colour and meaning ancient rome classical studies general - Jul 14 2023

web was the first book for over fifty years which deals specifically with the issue of colour and perception in ancient rome provides a wide ranging overview of different approaches to the subject in roman culture includes a detailed example of the application of theories about perception to the practical reading of latin texts

m bradley colour and meaning in ancient rome - Oct 05 2022

web nov 1 2011 bradley m colour and meaning in ancient rome cambridge cambridge university press 2009 pp xiii 267 illus isbn 9780521110426 55 00 volume 101 anna mccullough

preface page introduction flauus colour and meaning in ancient rome - Sep 04 2022

web 978 0 521 11042 6 colour and meaning in ancient rome mark bradley table of contents more information 5 the natural body 128 medicine and physiognomy 130 color origin and identity 137 blushing and blanching 150 summary 159 6 the unnatural body 161 cosmetics 162 hair 174 clothes 178 summary 187

colour and meaning ancient rome classical studies general - Mar 30 2022

web looking for an inspection copy this title is not currently available on inspection

colour and meaning in ancient rome mark bradley google - Jan 08 2023

web jun 9 2011 colour and meaning in ancient rome mark bradley cambridge university press jun 9 2011 history 282 pages the study of colour has become familiar territory in anthropology linguistics art history and archaeology classicists however have traditionally subordinated the study of colour to form

mark bradley colour and meaning in ancient rome philpapers - Apr 11 2023

web abstract the study of colour has become familiar territory in anthropology linguistics art history and archaeology classicists however have traditionally subordinated the study of colour to form

colour and meaning in ancient rome cambridge university - Feb 09 2023

web cambridge university press 9780521110426 colour and meaning in ancient rome by mark bradley excerpt introduction what colour is flauus hippolyte sic est thesei uultus amo illos priores quos tulit quondam puer cum prima puras barba signaret genas quis tum ille fulsit presserant uittae comam et ora flauus tenera tinguebat pudor

ancient roman colors symbolism ancient rome info - Jul 02 2022

web ancient roman colors symbolism 1 red during the ancient roman period a red colored flag symbolized war or battle red color also represented mars the god of wars as per the ancient roman mythology this color was even used for make up by the

romans especially by the women to color their lips 2 blue

colour and meaning in ancient rome bradley mark dr free - May 12 2023

web colour and meaning in ancient rome by bradley mark dr publication date 2009 topics color rome psychological aspects

colors words for symbolism of colors rome color in art publisher cambridge cambridge university press

impact of colour on the roman city - Aug 03 2022

web colour and meaning in ancient rome 2009 this means that there is rarely prior discussion of a particular piece of art

within the context of colour and my research has therefore covered many genres not only looking into the form and

background of the art but exploring other interdisciplinary approaches to the topic of colour as a whole

as nzs 1170 1 2002 r2016 structural design actions building - Aug 02 2022

web as nzs 1170 1 2002 r2016 structural design actions permanent imposed and other actions description this standard

provides design values of permanent imposed and

as nzs 1170 0 2002 standards new zealand - Mar 29 2022

web jun 3 2002 structural design actions part 0 general principles provides the procedure for structural design it includes

design procedures reference to design actions other

as nzs 1170 2 supplement 1 2002 sai global store - Apr 10 2023

web preface this commentary was prepared by the joint standards australia standards new zealand committee bd 006

general design requirements and loading on structures

as nzs 1170 0 supplement 1 2002 standards new zealand - Nov 24 2021

web jun 3 2002 provides background material to the requirements of as nzs 1170 0 general principles clause by clause it

gives the origins of requirements departures from

australian new zealand standard saiglobal - Jul 13 2023

web the commentary to this standard is as nzs 1170 2 supp 1 structural design actions wind actions commentary supplement

to as nzs 1170 2 2002 the wind speeds

as nzs 1170 1 supplement 1 2002 standards new zealand - Jul 01 2022

web jun 3 2002 current date published 03 06 02 structural design actions part 1 permanent imposed and other actions

commentary supplement to as nzs

as nzs 1170 2 2002 structural design actions ansi webstore - Jan 27 2022

web structural design actions wind actions foreign standard provides design values of wind actions for use in structural

design it is intended to be used in conjunction with

as nzs 1170 2 supp 1 2002 sai global store - Dec 06 2022

web jan 1 2002 as 1170 2 1989 and nzs 4203 1992 jointly revised amalgamated and redesignated in part as as nzs 1170 2 supplement 1 2002 first published in australia

as nzs 1170 0 2002 structural design actions building - Oct 24 2021

web jun 3 2002 description this standard specifies general procedures and criteria for the structural design of a building or structure in limit states format it covers limit states

as nzs 1170 2 structural design actions part 2 wind actions - Jan 07 2023

web as nzs 1170 2 2011 2 preface this standard was prepared by the joint standards australia standards new zealand committee bd 006 general design requirements

as nzs 1170 2 2021 standards new zealand - May 11 2023

web jul 30 2021 two volume structural design actions set hard copy includes ringbinders as nzs 1170 0 supplement 1 2002 structural design actions part 0 general

as1170 2 s1 structural design actions wind loads commentary - Oct 04 2022

web as nzs 1170 as nzs 1170 as1170 1 structural design actions permanent imposed and other actions 2002 a2 as1170 2 s1 structural design actions wind loads commentary

as nzs 1170 2 supp 1 2002 standards australia - Apr 29 2022

web structural design actions wind actions part 2 commentary supplement to as nzs 1170 2 2002 provides background material to the requirements of as nzs 1170 2 wind

[as nzs 1170 2 2021 techstreet](#) - May 31 2022

web full description sets out procedures for determining wind speeds and resulting wind actions to be used in the structural design of structures subjected to wind actions other than

as nzs 1170 2 2002 structural design actions wind actions - Nov 05 2022

web jun 4 2002 guidance on wind tunnel testing reliable references and alternative data is given in as nzs 1170 2 supp 1 structural design actions wind actions commentary

as nzs 1170 2 supplement 1 2002 standards new zealand - Jun 12 2023

web jun 3 2002 as nzs 1170 2 supp 1 2002 preface section c1 scope and application c1 1 scope c1 2 application c1 3 referenced documents c1 4 determination of wind actions

as nzs 1170 1 2002 r2016 structural design actions building - Feb 08 2023

web apr 27 2005 scope this standard specifies permanent imposed static liquid pressure ground water rainwater ponding and earth pressure actions to be used in the limit state

as nzs 1170 2 2002 standards new zealand - Mar 09 2023

web jun 3 2002 provides design values of wind actions for use in structural design it is intended to be used in conjunction with as nzs 1170 0 which gives the procedure for

as nzs 1170 2 2002 structural design actions wind actions - Sep 15 2023

web apr 3 2005 it is intended to be used in conjunction with as nzs 1170 0 which gives the procedure for structural design the commentary to this standard is as nzs 1170 2

as nzs 1170 1 2002 standards new zealand - Dec 26 2021

web jun 3 2002 current date published 03 06 02 structural design actions part 1 permanent imposed and other actions provides design values of permanent imposed

as nzs 1170 2 2011 a5 standards new zealand - Feb 25 2022

web jun 30 2017 section 1 4 citation context as nzs 1170 2 2011 means the standard structural design actions part 2 wind actions as nzs 1170 0 supplement 1 2002

as nzs 1170 2 supplement 1 2002 structural design actions - Aug 14 2023

web jun 3 2002 this commentary provides background material to the requirements of as nzs 1170 2 wind actions clause by clause it gives the origins of requirements

as nzs 1170 2 supp 1 2002 structural design actions ansi - Sep 03 2022

web structural design actions wind actions commentary supplement to as nzs 1170 2 2002 foreign standard provides background material to the

a sa a a ae e a oea a s phpae es ae a japanese e full pdf - Nov 11 2021

web a sa a a ae e a oea a s phpae es ae a japanese e downloaded from eagldemo2 eagltechnology com by guest dorsey cruz the north american review

ae a a a a e oea phpae a japanese edition dev awamaki - Aug 21 2022

web 4 ae a a a a e oea phpae a japanese edition 2023 01 13 types of liver disease additionally both the fields of hepatology and endoscopy have become very specialized

ae a a a a e oea phpae a japanese edition pdf dev awamaki - Jun 18 2022

web ae a a a a e oea phpae a japanese edition 3 3 linguistics provides a survey of the field covering the methods which underpin current work models of language change

a sa a a ae e a oea a s phpae es ae a japanese e copy - Mar 16 2022

web a sa a a ae e a oea a s phpae es ae a japanese e 1 a sa a a ae e a oea a s phpae es ae a japanese e projects by country and field of activity visual impairment and

a sa a a ae e a oea a s phpae es ae a japanese e copy - Dec 13 2021

web 2 a sa a a ae e a oea a s phpae es ae a japanese e 2023 07 11 reactions these aspects of electrochemistry are especially examined in view of specific energy

uae facts figures currency population public - Dec 25 2022

web 1 day ago currency and exchange rates the dirham is the official currency of the uae its iso code official abbreviation is aed arab emirate dirham other abbreviations

ae a a a a e oea phpae a japanese edition pdf - Mar 28 2023

web nov 11 2022 ae a a a a e oea phpae a japanese edition 1 6 downloaded from staging friends library org on november 11 2022 by guest ae a a a a e oea phpae

united arab emirates wikipedia - Nov 23 2022

web abu dhabi is the nation s capital while dubai the most populous city is an international hub the united arab emirates is an elective monarchy formed from a federation of

ae a a a a e oea phpae a japanese edition pdf - May 30 2023

web 2 ae a a a a e oea phpae a japanese edition 2023 04 14 outstanding group of experts in several fields that can provide practitioners with state of the art and evidence

ae a a a a e oea phpae a japanese edition pdf uniport edu - Apr 28 2023

web mar 26 2023 ae a a a a e oea phpae a japanese edition 2 6 downloaded from uniport edu ng on march 26 2023 by guest port of san francisco waterfront land use

a sa a a ae e a oea a s phpae es ae a japanese e 2022 - Apr 16 2022

web a sa a a ae e a oea a s phpae es ae a japanese e downloaded from stage gapinc com by guest vazquez keely human cholinesterases and anticholinesterases astm

ae a a a a e oea phpae a japanese edition full pdf - May 18 2022

web ae a a a a e oea phpae a japanese edition journal of english as a second language introduction to fashion technology collection of resources scrapbook of g o a l

ae a a a a e oea phpae a japanese edition pdf - Jul 20 2022

web ae a a a a e oea phpae a japanese edition an inventory of the historical monuments in herefordshire northwest ionospheric data at syowa station antarctica

emirates of the united arab emirates wikipedia - Feb 24 2023

web areas 260 km 2 100 sq mi ajman 67 000 km 2 26 000 sq mi abu dhabi government emirate government subdivisions regions municipalities counties the

ae a a a a e oea phpae a japanese edition 2023 wp publish - Jun 30 2023

web pages of ae a a a a e oea phpae a japanese edition a mesmerizing literary creation penned with a celebrated wordsmith readers attempt an enlightening odyssey

ae a a a a e oea phpae a japanese edition pdf kelliemay - Jan 26 2023

web nov 27 2022 ae a a a a e oea phpae a japanese edition if you ally craving such a referred ae a a a a e oea phpae a japanese edition ebook that will find the money for

ae a a a a e oea phpae a japanese edition download only - Sep 02 2023

web 4 ae a a a a e oea phpae a japanese edition 2021 11 10 may require considerable modification in the light of harvey s research football s first one hundred years

ae a a a a e oea phpae a japanese edition download only - Oct 03 2023

web ae a a a a e oea phpae a japanese edition 3 3 ae a a a a e oea phpae a japanese edition downloaded from old syndeohro com by guest morrow byron

united arab emirates wikitravel - Sep 21 2022

web jul 24 2023 the united arab emirates uaetourism ae en often referred to as the u a e is a federation of seven emirates on the eastern side of the arabian peninsula

united arab emirates simple english wikipedia the free - Oct 23 2022

web the united arab emirates uae in arabic الإمارات العربية المتحدة is a country in western asia it borders oman qatar and saudi arabia the capital is abu dhabi and the largest city is

a sa a a ae e a oea a s phpae es ae a japanese e full pdf - Aug 01 2023

web a sa a a ae e a oea a s phpae es ae a japanese e downloaded from db csda org by guest murray andrews the movie guide american foundation for the blind from

a sa a a ae e a oea a s phpae es ae a japanese e - Jan 14 2022

web a sa a a ae e a oea a s phpae es ae a japanese e 1 a sa a a ae e a oea a s phpae es ae a japanese e as recognized adventure as well as experience very nearly

a sa a a ae e a oea a s phpae es ae a japanese e pdf - Feb 12 2022

web a sa a a ae e a oea a s phpae es ae a japanese e downloaded from dev awamaki org by guest murray talan proceedings of the japan academy world scientific this