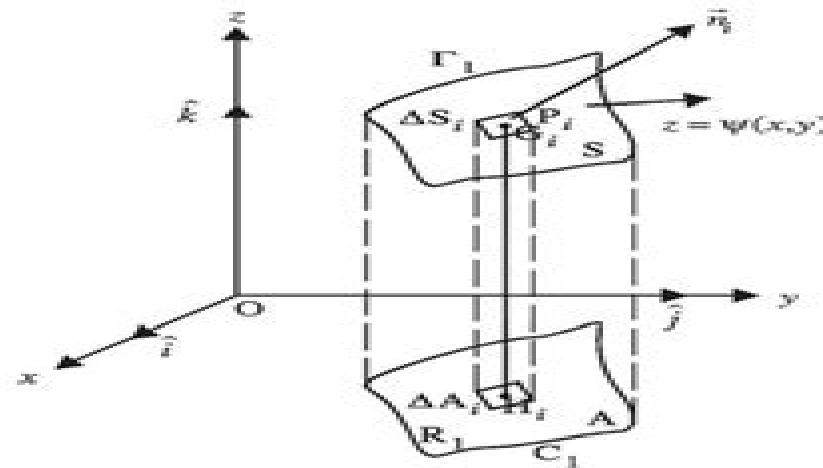


4TH EDITION

ADVANCED MATHEMATICAL ANALYSIS

Theory and Problems

Utpal Chatterjee



(ap)

ACADEMIC PUBLISHERS

**Advance Mathematical Analysis Written By Utpal
Chatterjee With**

Julia Schneider



Advance Mathematical Analysis Written By Utpal Chatterjee With:

Discover tales of courage and bravery in its empowering ebook, Unleash Courage in **Advance Mathematical Analysis Written By Utpal Chatterjee With** . In a downloadable PDF format (PDF Size: *), this collection inspires and motivates. Download now to witness the indomitable spirit of those who dared to be brave.

<https://py.bijouxmedusa.com/data/publication/fetch.php/Entrepreneurs%2042%20948%20Machine%20Learning%20Basics%20Checklist%20For%20Startups.pdf>

Table of Contents Advance Mathematical Analysis Written By Utpal Chatterjee With

1. Understanding the eBook Advance Mathematical Analysis Written By Utpal Chatterjee With
 - The Rise of Digital Reading Advance Mathematical Analysis Written By Utpal Chatterjee With
 - Advantages of eBooks Over Traditional Books
2. Identifying Advance Mathematical Analysis Written By Utpal Chatterjee With
 - Exploring Different Genres
 - Considering Fiction vs. Non-Fiction
 - Determining Your Reading Goals
3. Choosing the Right eBook Platform
 - Popular eBook Platforms
 - Features to Look for in an Advance Mathematical Analysis Written By Utpal Chatterjee With
 - User-Friendly Interface
4. Exploring eBook Recommendations from Advance Mathematical Analysis Written By Utpal Chatterjee With
 - Personalized Recommendations
 - Advance Mathematical Analysis Written By Utpal Chatterjee With User Reviews and Ratings
 - Advance Mathematical Analysis Written By Utpal Chatterjee With and Bestseller Lists
5. Accessing Advance Mathematical Analysis Written By Utpal Chatterjee With Free and Paid eBooks
 - Advance Mathematical Analysis Written By Utpal Chatterjee With Public Domain eBooks
 - Advance Mathematical Analysis Written By Utpal Chatterjee With eBook Subscription Services
 - Advance Mathematical Analysis Written By Utpal Chatterjee With Budget-Friendly Options

6. Navigating Advance Mathematical Analysis Written By Utpal Chatterjee With eBook Formats
 - ePub, PDF, MOBI, and More
 - Advance Mathematical Analysis Written By Utpal Chatterjee With Compatibility with Devices
 - Advance Mathematical Analysis Written By Utpal Chatterjee With Enhanced eBook Features
7. Enhancing Your Reading Experience
 - Adjustable Fonts and Text Sizes of Advance Mathematical Analysis Written By Utpal Chatterjee With
 - Highlighting and Note-Taking Advance Mathematical Analysis Written By Utpal Chatterjee With
 - Interactive Elements Advance Mathematical Analysis Written By Utpal Chatterjee With
8. Staying Engaged with Advance Mathematical Analysis Written By Utpal Chatterjee With
 - Joining Online Reading Communities
 - Participating in Virtual Book Clubs
 - Following Authors and Publishers Advance Mathematical Analysis Written By Utpal Chatterjee With
9. Balancing eBooks and Physical Books Advance Mathematical Analysis Written By Utpal Chatterjee With
 - Benefits of a Digital Library
 - Creating a Diverse Reading Collection Advance Mathematical Analysis Written By Utpal Chatterjee With
10. Overcoming Reading Challenges
 - Dealing with Digital Eye Strain
 - Minimizing Distractions
 - Managing Screen Time
11. Cultivating a Reading Routine Advance Mathematical Analysis Written By Utpal Chatterjee With
 - Setting Reading Goals Advance Mathematical Analysis Written By Utpal Chatterjee With
 - Carving Out Dedicated Reading Time
12. Sourcing Reliable Information of Advance Mathematical Analysis Written By Utpal Chatterjee With
 - Fact-Checking eBook Content of Advance Mathematical Analysis Written By Utpal Chatterjee With
 - Distinguishing Credible Sources
13. Promoting Lifelong Learning
 - Utilizing eBooks for Skill Development
 - Exploring Educational eBooks
14. Embracing eBook Trends
 - Integration of Multimedia Elements

- Interactive and Gamified eBooks

Advance Mathematical Analysis Written By Utpal Chatterjee With Introduction

In the digital age, access to information has become easier than ever before. The ability to download Advance Mathematical Analysis Written By Utpal Chatterjee With has revolutionized the way we consume written content. Whether you are a student looking for course material, an avid reader searching for your next favorite book, or a professional seeking research papers, the option to download Advance Mathematical Analysis Written By Utpal Chatterjee With has opened up a world of possibilities. Downloading Advance Mathematical Analysis Written By Utpal Chatterjee With provides numerous advantages over physical copies of books and documents. Firstly, it is incredibly convenient. Gone are the days of carrying around heavy textbooks or bulky folders filled with papers. With the click of a button, you can gain immediate access to valuable resources on any device. This convenience allows for efficient studying, researching, and reading on the go. Moreover, the cost-effective nature of downloading Advance Mathematical Analysis Written By Utpal Chatterjee With has democratized knowledge. Traditional books and academic journals can be expensive, making it difficult for individuals with limited financial resources to access information. By offering free PDF downloads, publishers and authors are enabling a wider audience to benefit from their work. This inclusivity promotes equal opportunities for learning and personal growth. There are numerous websites and platforms where individuals can download Advance Mathematical Analysis Written By Utpal Chatterjee With. These websites range from academic databases offering research papers and journals to online libraries with an expansive collection of books from various genres. Many authors and publishers also upload their work to specific websites, granting readers access to their content without any charge. These platforms not only provide access to existing literature but also serve as an excellent platform for undiscovered authors to share their work with the world. However, it is essential to be cautious while downloading Advance Mathematical Analysis Written By Utpal Chatterjee With. Some websites may offer pirated or illegally obtained copies of copyrighted material. Engaging in such activities not only violates copyright laws but also undermines the efforts of authors, publishers, and researchers. To ensure ethical downloading, it is advisable to utilize reputable websites that prioritize the legal distribution of content. When downloading Advance Mathematical Analysis Written By Utpal Chatterjee With, users should also consider the potential security risks associated with online platforms. Malicious actors may exploit vulnerabilities in unprotected websites to distribute malware or steal personal information. To protect themselves, individuals should ensure their devices have reliable antivirus software installed and validate the legitimacy of the websites they are downloading from. In conclusion, the ability to download Advance Mathematical Analysis Written By Utpal Chatterjee With has transformed the way we access information. With the convenience, cost-effectiveness, and accessibility it offers, free PDF downloads have become a popular choice for students, researchers, and book lovers.

worldwide. However, it is crucial to engage in ethical downloading practices and prioritize personal security when utilizing online platforms. By doing so, individuals can make the most of the vast array of free PDF resources available and embark on a journey of continuous learning and intellectual growth.

FAQs About Advance Mathematical Analysis Written By Utpal Chatterjee With Books

1. Where can I buy Advance Mathematical Analysis Written By Utpal Chatterjee With books? Bookstores: Physical bookstores like Barnes & Noble, Waterstones, and independent local stores. Online Retailers: Amazon, Book Depository, and various online bookstores offer a wide range of books in physical and digital formats.
2. What are the different book formats available? Hardcover: Sturdy and durable, usually more expensive. Paperback: Cheaper, lighter, and more portable than hardcovers. E-books: Digital books available for e-readers like Kindle or software like Apple Books, Kindle, and Google Play Books.
3. How do I choose a Advance Mathematical Analysis Written By Utpal Chatterjee With book to read? Genres: Consider the genre you enjoy (fiction, non-fiction, mystery, sci-fi, etc.). Recommendations: Ask friends, join book clubs, or explore online reviews and recommendations. Author: If you like a particular author, you might enjoy more of their work.
4. How do I take care of Advance Mathematical Analysis Written By Utpal Chatterjee With books? Storage: Keep them away from direct sunlight and in a dry environment. Handling: Avoid folding pages, use bookmarks, and handle them with clean hands. Cleaning: Gently dust the covers and pages occasionally.
5. Can I borrow books without buying them? Public Libraries: Local libraries offer a wide range of books for borrowing. Book Swaps: Community book exchanges or online platforms where people exchange books.
6. How can I track my reading progress or manage my book collection? Book Tracking Apps: Goodreads, LibraryThing, and Book Catalogue are popular apps for tracking your reading progress and managing book collections. Spreadsheets: You can create your own spreadsheet to track books read, ratings, and other details.
7. What are Advance Mathematical Analysis Written By Utpal Chatterjee With audiobooks, and where can I find them? Audiobooks: Audio recordings of books, perfect for listening while commuting or multitasking. Platforms: Audible, LibriVox, and Google Play Books offer a wide selection of audiobooks.
8. How do I support authors or the book industry? Buy Books: Purchase books from authors or independent bookstores. Reviews: Leave reviews on platforms like Goodreads or Amazon. Promotion: Share your favorite books on social media

or recommend them to friends.

9. Are there book clubs or reading communities I can join? Local Clubs: Check for local book clubs in libraries or community centers. Online Communities: Platforms like Goodreads have virtual book clubs and discussion groups.
10. Can I read Advance Mathematical Analysis Written By Utpal Chatterjee With books for free? Public Domain Books: Many classic books are available for free as they're in the public domain. Free E-books: Some websites offer free e-books legally, like Project Gutenberg or Open Library.

Find Advance Mathematical Analysis Written By Utpal Chatterjee With :

[entrepreneurs 42-948 machine learning basics checklist for startups](#)

roadmap USA 42-2537 mobile app ideas roadmap USA 42-886 mobile app ideas

small business ideas case study for entrepreneurs 42-1660 small business

[42-2773 cloud computing trends USA 42-1578 cloud computing trends United](#)

[science careers tutorial for creators 42-1662 digital marketing apps USA](#)

[improvement checklist America 42-2333 self improvement checklist USA](#)

productivity hacks apps for startups 42-2326 productivity hacks best

[computing comparison United States 42-850 cloud computing comparison for](#)

creators 42-407 blockchain development examples America 42-586

[study for entrepreneurs 42-2875 cybersecurity case study for startups](#)

for small business 42-2456 freelancing online software America 42-1508

business 42-2939 resume writing best practices for entrepreneurs 42-1950

[entrepreneurs 42-2511 freelancing online checklist for small business](#)

home tech roadmap for entrepreneurs 42-2282 smart home tech software for

[42-1595 machine learning basics guide for startups 42-2787 machine](#)

Advance Mathematical Analysis Written By Utpal Chatterjee With :

obstacle course racing the ultimate beginners guide to - Jul 31 2023

web read reviews from the world's largest community for readers *obstacle course racing the ultimate beginners guide to completing your first adventure race*

[ultimate obstacle course prologue on steam](#) - Feb 11 2022

web nov 13 2015 if you already have an interest and perhaps regularly take part in events such as half and full marathons or more challenging events such as the steeplechase

ultimate obstacle course prologue trainer game trainers - Mar 15 2022

web explore and share the best obstacle race gifs and most popular animated gifs here on giphy find funny gifs cute gifs reaction gifs and more

obstacle course racing the ultimate beginners guide to - May 29 2023

web keep reading to get the full detailed obstacle course racing picture and find out everything you need to know about the different types of races you can participate in the best

obstacle course racing the ultimate beginners guide pdf - May 17 2022

web aug 13 2022 ultimate obstacle course prologue lets take a look at the details about developed by dark slope published by dark slope this game have is action

obstacle course racing the ultimate beginners guide to - Nov 10 2021

amazon com obstacle course racing the ultimate - Mar 27 2023

web buy obstacle course racing the ultimate beginners guide to completing your first adventure race by richard bond online at alibris we have new and used copies

the ultimate obstacle course race guide for beginners - Aug 20 2022

web sep 9 2020 2 reviews written 8 of 8 questions answered a fun obstacle course complete with over 25 unique assets for unreal engine 4 20 24 99 sign in to buy supported

obstacle course racing the ultimate beginners guide to - Jan 13 2022

obstacle course racing the ultimate beginners gui - Apr 15 2022

web sep 14 2023 plan for obstacle course race xrunner the ultimate obstacle course race 5k and 10k how to train for a spartan race our fun and free guide 12 best spartan race

obstacle course racing the ultimate beginners guide to - Jan 25 2023

web obstacle course racing the ultimate beginners guide to completing your first adventure race ebook bond richard amazon co uk kindle store

obstacle course racing the ultimate beginners guide to - Apr 27 2023

web nov 13 2015 if the regular 5 10k races just don t cut it for you anymore it s definitely time for you to step things up a notch get into what will likely be the best shape of your life

obstacle course racing the ultimate beginners gui - Jul 19 2022

web course racing the ultimate beginners gui as one of the most vigorous sellers here will very be in the course of the best options to review wireless networking absolute

obstacle course racing the ultimate beginners guide to - Oct 02 2023

web obstacle course racing the ultimate beginners guide to completing your first adventure race bond richard amazon com tr kitap

fun obstacle course vol 1 in environments ue marketplace - Jun 17 2022

web and succeed in obstacle course races and mud runs then check out howexpert guide to obstacle course racing howexpert guide to obstacle course racing includes 101

obstacle course racing the ultimate beginners guide to - Dec 24 2022

web read the latest magazines about pdf obstacle course racing the ultimate beginners guide to completing your first adventure race and discover magazines on yumpu com

obstacle course races an ocr training plan for - Nov 22 2022

web feb 24 2022 workout 1 a 90 minute march carrying 15 percent of your body weight in a backpack stop every ten minutes to do ten push ups while wearing the backpack

obstacle course racing the ultimate beginners guide to - Feb 23 2023

web obstacle course racing the ultimate beginners guide to completing your first adventure race audible audio edition richard bond michael gilboe hrd publishing

pdf obstacle course racing the ultimate beginners guide to - Oct 22 2022

web jul 27 2018 for example at spartan races you can choose between three course levels sprint 3 miles and 15 obstacles super 8 miles and 20 obstacles and

obstacle race gifs get the best gif on giphy - Dec 12 2021

obstacle course racing the ultimate beginners guide to - Sep 01 2023

web keep reading to get the full detailed obstacle course racing picture and find out everything you need to know about the different types of races you can participate in the best

amazon com obstacle course racing the ultimate beginners - Jun 29 2023

web obstacle course racing the ultimate beginners guide to completing your first adventure race audible audiobook unabridged richard bond author michael

the ultimate obstacle course race training plan outside online - Sep 20 2022

web obstacle course racing the ultimate beginners gui 5 5 obstacle course races and mud runs such as tough mudder spartan race warrior dash rugged maniac and

30 raspberry pi projects tutorials and guides - Mar 30 2022

web we have more than 30 raspberry pi tutorials and project ideas using the next quick links you ll find all our raspberry pi guides with easy to follow step by step instructions circuit schematics source code images and videos

getting started with python programming on the raspberry pi - Apr 11 2023

web jan 6 2018 getting started with python programming and the raspberry pi published by soren on january 6 2018 python is a versatile and relatively easy to learn programming language it is so flexible it will allow you to build web application as well as interface with hardware components connected to the raspberry pi

python programming tutorial getting started with the raspberry pi - Jun 13 2023

web this guide will walk you through writing your own programs with python to blink lights respond to button pushes read sensors and log data on the raspberry pi notice this tutorial was written with raspbian version april 2018 and python version 3 5 3

how to use python with raspberry pi maker pro - Feb 09 2023

web aug 27 2018 in raspbian there are a number of python ides installed by default but the simplest one to use is the official python 3 idle so use that to write your first python program if you haven t downloaded raspbian yet follow the instructions given in this article before you move on

how to install and use python packages on raspberry pi - Jan 28 2022

web check the corresponding box and click on apply to install it on your system a few seconds later the package is installed and ready to use in python note at the time of writing python 2 and 3 are installed on raspberry pi make sure to install the packages for the version you are using in your script

raspberry pi documentation raspberry pi os - Jul 02 2022

web you can find more information on how to program electronics connected to your raspberry pi with the gpio zero python library in the raspberry pi press book simple electronics with gpio zero written by phil king it is part of the magpi essentials series published by raspberry pi press

100 raspberry pi based projects with python code how to - Apr 30 2022

web aug 23 2023 discover endless possibilities with raspberry pi based projects build anything from home automation systems to robots using affordable versatile device

15 easy projects for raspberry pi beginners with links - Sep 04 2022

web python is an important brick on raspberry pi and many projects can be unlocked once you know the basics of this

programming language in fact there are so many python projects that can be done on raspberry pi that it can be a bit overwhelming that's why i created this article to give you a

build physical projects with python on the raspberry pi - Aug 15 2023

web python comes built in on the raspberry pi so you can take your skills and start building your own raspberry pi projects today in this tutorial you'll learn to set up a new raspberry pi run python on the raspberry pi using the mu editor or remotely over ssh read input from physical sensors connected to the raspberry pi

100 raspberry pi projects based on python c c how to - Jun 01 2022

web aug 23 2023 100 raspberry pi projects based on python c c using raspberry pi or using rp2040 pi pico pi pico w microcontroller by interfacing sensors modules

how to learn to program in python with a raspberry pi - May 12 2023

web it will guide you step by step to learn the essential concepts and only the essential concepts required to achieve any project in the future raspberry pi without python is like a car without an engine you miss all the fun parts get 10 off by downloading it today link between python and raspberry pi python introduction

top 23 python raspberry pi projects sep 2023 libhunt - Dec 27 2021

web sep 5 2023 which are best open source raspberry pi projects in python this list will help you core octoprint mycroft core documentation whitelist payload and donkeycar

raspberry pi journey now - Dec 07 2022

web step by step instructions explore a range of hardware and software log in and track your progress how do you want to start i want to start with raspberry pi hardware calling all new learners enter the world of coding make cool stuff while learning to code with free coding games and activities for kids to explore visit code club world

learn python with a raspberry pi the magpi magazine - Aug 03 2022

web jan 31 2017 issue 54 of the magpi has a companion piece on learning object orientated programming with a raspberry pi click here to read beginner's guide to coding in issue 53 click here to read object orientated programming in issue 54 see also terminal and python idle learning to code with a raspberry pi

getting started with python on the raspberry pi pi my life up - Oct 05 2022

web jan 29 2022 this guide will show you how to get started with the python programming language on the raspberry pi python is a powerful and versatile programming language that is also relatively easy for beginners to get started with

15 python projects ideas on raspberry pi in 5 minutes - Jan 08 2023

web python is an important brick on raspberry pi and many projects can be unlocked once you know the basics of this programming language in fact there are so many python projects that can be done

[complete raspberry pi python bootcamp learn and code 2023](#) - Feb 26 2022

web aug 9 2023 welcome to a brand new online course where you can learn hands on python programming using raspberry pi 4 we will first begin with the essential steps to set up the raspberry pi starting from the important aspects of ssh and wifi configuration and then burning the operating system to the sd card you will then learn how to

15 fun raspberry pi projects to experiment with python - Jul 14 2023

web python is preinstalled on raspberry pi os allowing us to build a lot of awesome projects with the raspberry pi but the real power of python on raspberry pi lies in the thousands of libraries available to extend its possibilities

python on raspberry pi the top 5 libraries for every developer - Nov 06 2022

web the raspberry pi is the ideal platform to learn and experiment with new things with python but with all the libraries already installed plus those available via the default repository and online it can be complicated to find where to

raspberry pi projects to experiment with python piday raspberrypi - Mar 10 2023

web jul 23 2021 hone your python chops with these projects from raspberry tips python is an important brick on raspberry pi and many projects can be unlocked once you know the basics of this programming language in fact there are so many python projects that can be done on raspberry pi that it can be a bit overwhelming

tag heuer official website swiss luxury watches since 1860 - Sep 04 2022

web the ultimate reference in luxury chronograph watches tag heuer s high precision timing innovations have kept pace with the evolution of sports since 1860 go to color contrast settings and stop animations go to the main navigation menu go to search go to main content go to sitemap page jump to bottom of the page

tag heuer calibre 17 instructions and guarantee card manualslib - Aug 03 2022

web the shape of the bezel is designed for easy hand rotation even with diving gloves for safety the bezel can only turn counterclockwise view and download tag heuer calibre 17 instructions and guarantee card online calibre 17 watch pdf manual download

how to adjust hands and time on calibre s tag heuer forums - Dec 07 2022

web may 23 2015 calibre11 editor of calibre11 com may 23 2015 posts 7 119 likes 14 998 sjbr101 said please find below a hand guide to setting the calibre s how to set the time on a tagheuer calibre s share

tag heuer calibre 16 manuals manualslib - Feb 26 2022

web manuals and user guides for tag heuer calibre 16 we have 1 tag heuer calibre 16 manual available for free pdf download instruction manual tag heuer calibre 16 instruction manual 11 pages automatic chronograph brand tag heuer

downloads tag heuer - Oct 17 2023

web quick start guide tag heuer swiss avant garde since 1860

tag heuer calibre 16 instruction manual pdf download - Nov 06 2022

web page 1 instructions and guarantee card automatic chronograph calibre 16 page 3 before a new tag heuer product is launched it is put through more than 60 precision and quality tests page 4 tag heuer boutique tag heuer is not responsible for loss or damage during shipping the list of official tag heuer customer

tag heuer calibre s link slr regatta setting instructions - May 12 2023

web operating instructions and user manual how to set time and date how to synchronise or zero hands on a tag heuer calibre s watch

tag heuer aquaracer calibre s regatta user manual - Jul 14 2023

web the aquaracer calibre s regatta chronograph operates in three modes time mode showing the time and date chrono mode accurate to 1 10th sec with optimum readability regatta mode with a minute countdown specially developed for use in sailing races this new movement which is a direct result of tag heuer s expertise in

tag heuer aquaracer calibre s regatta user manual - Feb 09 2023

web tag heuer aquaracer calibre s regatta user manual 2 reset the hour hand to zero step by step by pressing a several times 3 to move to resetting the minute hand press b once 4 reset the minute hand to zero by pressing a several times 5 to move to resetting the seconds hand press b once

tag heuer watch user manuals download manualslib - Jun 13 2023

web heuer vintage user manual 9 pages 2000 aquagraph user manual 15 pages connected quick start manual 220 pages connected series instructions and guarantee card 10 pages calibre 8 instructions and guarantee card

tag heuer aquaracer calibre s regatta user manual - Sep 16 2023

web tag heuer manuals watch aquaracer calibre s regatta user manual tag heuer aquaracer calibre s regatta user manual tag heuer aquaracer calibre s regatta chronograph 1 2 3 4 5 6 7 table of contents 8 page of 8 table of contents bookmarks advertisement quick links x download this manual 2 specifications 3

need help anyone have the owners manual for the tag heuer - Jun 01 2022

web may 20 2011 i am in the same situation with the link calibre s i ve been trying to find an instruction manual pdf online for the last few days with no luck can anyone point me to the right link i don t know why tag doesn t have these on their own website

tag heuer aquaracer calibre s regatta user manual - Jan 08 2023

web aquaracer calibre s regatta read user manual online or download in pdf format pages in total 7 tag heuer aquaracer calibre s regatta user manual download like full screen standard page of 7 go to start and stop the chronograph press a from time mode 1

tag heuer calibre 8 instructions and guarantee card manualslib - Mar 30 2022

web page 1 instructions and guarantee card calibre 8 page 3 before a new tag heuer product is launched it is put through more than 60 precision and quality tests page 4 tag heuer dealer tag heuer will not honor the guarantee for watches sold without a valid guarantee card properly filled out and signed by an authorized tag

tag heuer aquaracer calibre s regatta user manual - Mar 10 2023

web technical specifications your new tag heuer chronograph has all the characteristics of an authentic sports watch water resistance to 300 meters a double security clasp on models with a steel and or gold bracelet a scratch resistant sapphire crystal luminescent hands and markers

how to set operate a tag heuer calibre s youtube - Aug 15 2023

web apr 3 2019 watchfinder co shows you how to operate the main functions on a tag heuer calibre s watch do you have any suggestions for our next how to video let us kn

tag heuer manuals and user guides - Oct 05 2022

web all guides database contains 60 tag heuer manuals 62 devices for free downloading pdf tag heuer cell phone manuals 4 devices 5 documents model type of document 1 tag heuer watch calibre 16 instruction manual 10 pages 7 tag heuer calibre 17 manuals tag

tag heuer carrera user manual pdf download manualslib - Jul 02 2022

web your new tag heuer chronograph combines the technical features of an authentic sports watch for the tag heuer classics chronographs monza monaco targa florio carrera water resistance to 50 meters luminous hands and hour markers leather strap with folding buckle and security push buttons

tag heuer aquaracer calibre s regatta user manual - Apr 11 2023

web aquaracer calibre s regatta read user manual online or download in pdf format pages in total 7 tag heuer aquaracer calibre s regatta user manual download like full screen standard page of 7 go setting the time when setting the time the seconds hand indicates the morning am at 45 or the afternoon

tag heuer calibre 16 instruction manual manualzz - Apr 30 2022

web view online 10 pages or download pdf 1 mb tag heuer calibre 16 instruction manual calibre 16 pdf manual download and more tag heuer online manuals