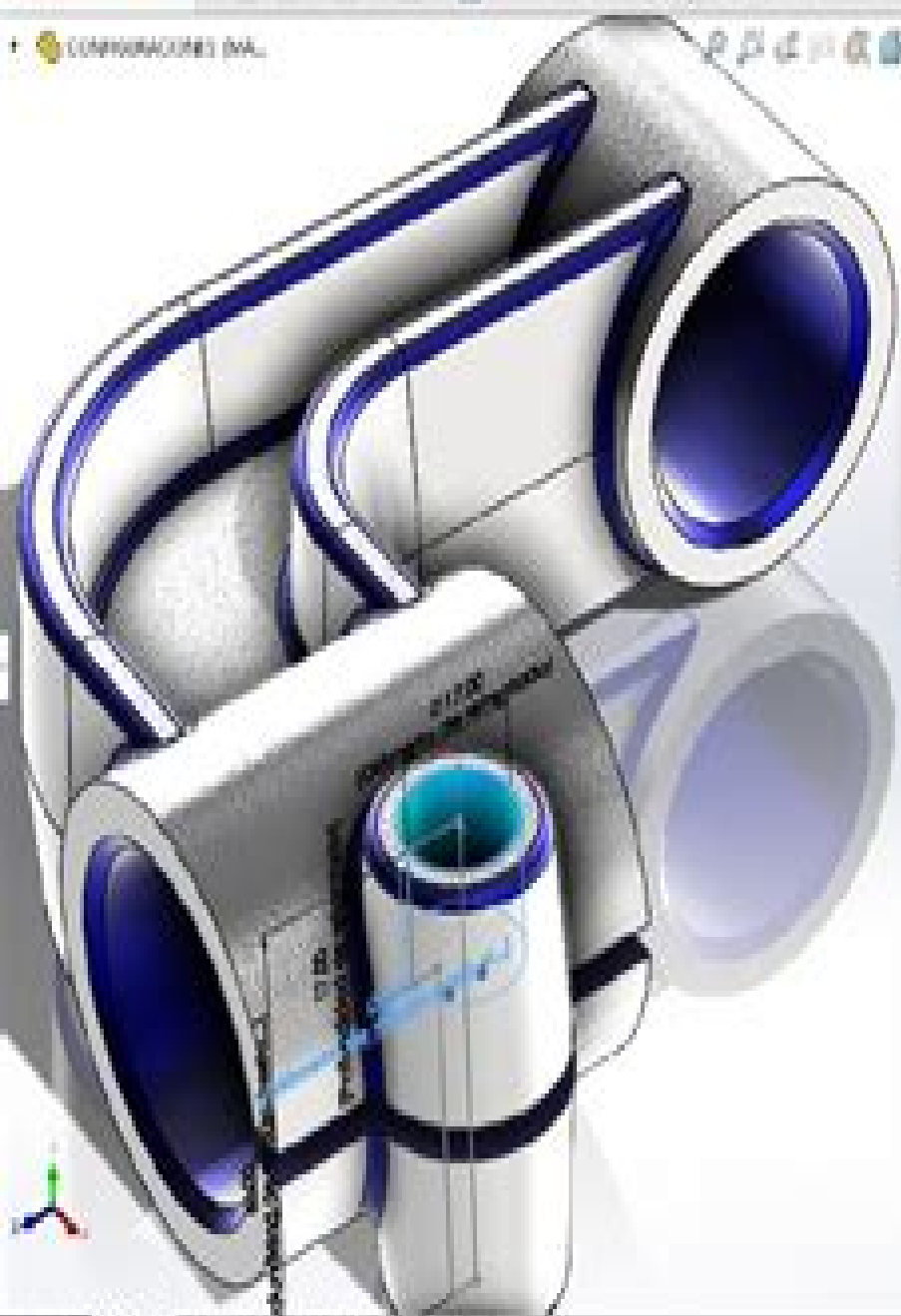


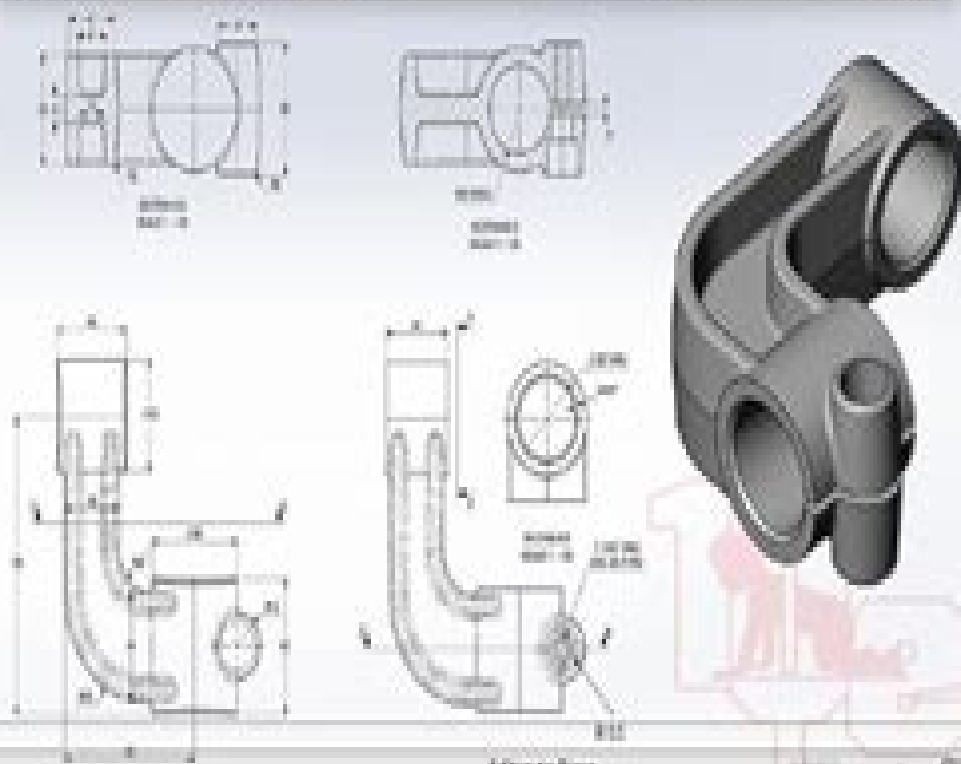
CSWP!!



Modificar configuraciones

Configuración	Estado
Nombre	Aluminio de un solo lado en el soporte
Propiedades	1.00mm
RECOMENDADO	1.00mm

Aplicar Cancelar Opciones Ayuda



Advanced Solidworks Cswp

S Ashworth



Advanced Solidworks Cswp:

Right here, we have countless books **Advanced Solidworks Cswp** and collections to check out. We additionally offer variant types and along with type of the books to browse. The good enough book, fiction, history, novel, scientific research, as well as various new sorts of books are readily simple here.

As this Advanced Solidworks Cswp, it ends stirring mammal one of the favored book Advanced Solidworks Cswp collections that we have. This is why you remain in the best website to look the amazing book to have.

https://py.bijouxmedusa.com/data/publication/index.jsp/alto_saxophone_cant_help_falling_in_love_sax_shed.pdf

Table of Contents Advanced Solidworks Cswp

1. Understanding the eBook Advanced Solidworks Cswp
 - The Rise of Digital Reading Advanced Solidworks Cswp
 - Advantages of eBooks Over Traditional Books
2. Identifying Advanced Solidworks Cswp
 - Exploring Different Genres
 - Considering Fiction vs. Non-Fiction
 - Determining Your Reading Goals
3. Choosing the Right eBook Platform
 - Popular eBook Platforms
 - Features to Look for in an Advanced Solidworks Cswp
 - User-Friendly Interface
4. Exploring eBook Recommendations from Advanced Solidworks Cswp
 - Personalized Recommendations
 - Advanced Solidworks Cswp User Reviews and Ratings
 - Advanced Solidworks Cswp and Bestseller Lists
5. Accessing Advanced Solidworks Cswp Free and Paid eBooks
 - Advanced Solidworks Cswp Public Domain eBooks

- Advanced Solidworks Cswp eBook Subscription Services
- Advanced Solidworks Cswp Budget-Friendly Options
- 6. Navigating Advanced Solidworks Cswp eBook Formats
 - ePub, PDF, MOBI, and More
 - Advanced Solidworks Cswp Compatibility with Devices
 - Advanced Solidworks Cswp Enhanced eBook Features
- 7. Enhancing Your Reading Experience
 - Adjustable Fonts and Text Sizes of Advanced Solidworks Cswp
 - Highlighting and Note-Taking Advanced Solidworks Cswp
 - Interactive Elements Advanced Solidworks Cswp
- 8. Staying Engaged with Advanced Solidworks Cswp
 - Joining Online Reading Communities
 - Participating in Virtual Book Clubs
 - Following Authors and Publishers Advanced Solidworks Cswp
- 9. Balancing eBooks and Physical Books Advanced Solidworks Cswp
 - Benefits of a Digital Library
 - Creating a Diverse Reading Collection Advanced Solidworks Cswp
- 10. Overcoming Reading Challenges
 - Dealing with Digital Eye Strain
 - Minimizing Distractions
 - Managing Screen Time
- 11. Cultivating a Reading Routine Advanced Solidworks Cswp
 - Setting Reading Goals Advanced Solidworks Cswp
 - Carving Out Dedicated Reading Time
- 12. Sourcing Reliable Information of Advanced Solidworks Cswp
 - Fact-Checking eBook Content of Advanced Solidworks Cswp
 - Distinguishing Credible Sources
- 13. Promoting Lifelong Learning
 - Utilizing eBooks for Skill Development
 - Exploring Educational eBooks

14. Embracing eBook Trends

- Integration of Multimedia Elements
- Interactive and Gamified eBooks

Advanced Solidworks Cswp Introduction

In the digital age, access to information has become easier than ever before. The ability to download Advanced Solidworks Cswp has revolutionized the way we consume written content. Whether you are a student looking for course material, an avid reader searching for your next favorite book, or a professional seeking research papers, the option to download Advanced Solidworks Cswp has opened up a world of possibilities. Downloading Advanced Solidworks Cswp provides numerous advantages over physical copies of books and documents. Firstly, it is incredibly convenient. Gone are the days of carrying around heavy textbooks or bulky folders filled with papers. With the click of a button, you can gain immediate access to valuable resources on any device. This convenience allows for efficient studying, researching, and reading on the go. Moreover, the cost-effective nature of downloading Advanced Solidworks Cswp has democratized knowledge. Traditional books and academic journals can be expensive, making it difficult for individuals with limited financial resources to access information. By offering free PDF downloads, publishers and authors are enabling a wider audience to benefit from their work. This inclusivity promotes equal opportunities for learning and personal growth. There are numerous websites and platforms where individuals can download Advanced Solidworks Cswp. These websites range from academic databases offering research papers and journals to online libraries with an expansive collection of books from various genres. Many authors and publishers also upload their work to specific websites, granting readers access to their content without any charge. These platforms not only provide access to existing literature but also serve as an excellent platform for undiscovered authors to share their work with the world. However, it is essential to be cautious while downloading Advanced Solidworks Cswp. Some websites may offer pirated or illegally obtained copies of copyrighted material. Engaging in such activities not only violates copyright laws but also undermines the efforts of authors, publishers, and researchers. To ensure ethical downloading, it is advisable to utilize reputable websites that prioritize the legal distribution of content. When downloading Advanced Solidworks Cswp, users should also consider the potential security risks associated with online platforms. Malicious actors may exploit vulnerabilities in unprotected websites to distribute malware or steal personal information. To protect themselves, individuals should ensure their devices have reliable antivirus software installed and validate the legitimacy of the websites they are downloading from. In conclusion, the ability to download Advanced Solidworks Cswp has transformed the way we access information. With the convenience, cost-effectiveness, and accessibility it offers, free PDF downloads have become a popular choice for students, researchers, and book lovers worldwide. However,

it is crucial to engage in ethical downloading practices and prioritize personal security when utilizing online platforms. By doing so, individuals can make the most of the vast array of free PDF resources available and embark on a journey of continuous learning and intellectual growth.

FAQs About Advanced Solidworks Cswp Books

What is a Advanced Solidworks Cswp PDF? A PDF (Portable Document Format) is a file format developed by Adobe that preserves the layout and formatting of a document, regardless of the software, hardware, or operating system used to view or print it. **How do I create a Advanced Solidworks Cswp PDF?** There are several ways to create a PDF: Use software like Adobe Acrobat, Microsoft Word, or Google Docs, which often have built-in PDF creation tools. Print to PDF: Many applications and operating systems have a "Print to PDF" option that allows you to save a document as a PDF file instead of printing it on paper. Online converters: There are various online tools that can convert different file types to PDF. **How do I edit a Advanced Solidworks Cswp PDF?** Editing a PDF can be done with software like Adobe Acrobat, which allows direct editing of text, images, and other elements within the PDF. Some free tools, like PDFescape or Smallpdf, also offer basic editing capabilities. **How do I convert a Advanced Solidworks Cswp PDF to another file format?** There are multiple ways to convert a PDF to another format: Use online converters like Smallpdf, Zamzar, or Adobe Acrobats export feature to convert PDFs to formats like Word, Excel, JPEG, etc. Software like Adobe Acrobat, Microsoft Word, or other PDF editors may have options to export or save PDFs in different formats. **How do I password-protect a Advanced Solidworks Cswp PDF?** Most PDF editing software allows you to add password protection. In Adobe Acrobat, for instance, you can go to "File" -> "Properties" -> "Security" to set a password to restrict access or editing capabilities. Are there any free alternatives to Adobe Acrobat for working with PDFs? Yes, there are many free alternatives for working with PDFs, such as: LibreOffice: Offers PDF editing features. PDFsam: Allows splitting, merging, and editing PDFs. Foxit Reader: Provides basic PDF viewing and editing capabilities. How do I compress a PDF file? You can use online tools like Smallpdf, ILovePDF, or desktop software like Adobe Acrobat to compress PDF files without significant quality loss. Compression reduces the file size, making it easier to share and download. Can I fill out forms in a PDF file? Yes, most PDF viewers/editors like Adobe Acrobat, Preview (on Mac), or various online tools allow you to fill out forms in PDF files by selecting text fields and entering information. Are there any restrictions when working with PDFs? Some PDFs might have restrictions set by their creator, such as password protection, editing restrictions, or print restrictions. Breaking these restrictions might require specific software or tools, which may or may not be legal depending on the circumstances and local laws.

Find Advanced Solidworks Cswp :

alto saxophone cant help falling in love sax shed

aerated concrete lightweight concrete cellular concrete

all you need to know about the music business pdf torrent

advertising imc principles and practice 10th edition

ai cinta tak pernah lelah menanti winna efendi

allegro ma non troppo le leggi fondamentali della stupidit umana

agricultural sciences caps study guide biubiuore

aims and objective of commercial bank pdf files silooo

aesthetics a reader in philosophy of the arts 3rd edition

aircraft maintenance manual page blocks

airline visual identity 1945 1975

airport plaza loopnet

alice and greta

agricultural policy of muhammad ali in e

aircraft instruments and integrated systems ehj pallet

Advanced Solidworks Cswp :

nigerian airforce past questions and answers pdf format - Jan 07 2023

web feb 24 2022 *pattern of naf past questions the nigerian air force past questions is a compilation of questions from previous examinations it is one useful tool that can help*

nigerian airforce past question and answer infoguidenigeria com - Feb 25 2022

web nov 1 2021 *nigerian airforce past questions and answers pdf format is the compilation of all the questions that nigerian airforce has given to applicants to write*

download nigerian air force past questions 2022 and - May 11 2023

web sep 26 2022 *below is what the nigerian airforce questions look like 1 the first batch of nigerian airforce officers were sent to train with a british air force b ethiopian*

nigeria airforce aptitude test past questions 2023 updated - Oct 24 2021

air force dssc exam past questions and answers pdf - Apr 10 2023

web apr 27 2023 with the proper use of our original nigerian airforce past questions and answers pdf format you will definitely pass the exams and come out with flying colors

nigerian airforce aptitude test past question prepstage com - Nov 05 2022

web sample questions of nigerian airforce exam test study questions answers 1 the first woman in space is 2 the least rank in the nigerian airforce is

air force naf exam past questions and answers pdf - Aug 14 2023

web we pulled these nigerian air force naf job questions from our study pack nigerian air force naf past questions and answers 2022 each sample question includes correct

naf past questions nigerian airforce past questions and - Jul 01 2022

web nigerian air force naf past questions and answers in this section you will practice nigerian air force naf past questions and answers on english maths and current

nigerian airforce past questions free naf past - Feb 08 2023

web may 12 2022 how is nigerian airforce aptitude test past question pattern there are fifty 50 questions comprising english language mathematics and general studies

nigerian airforce exam test study questions answers - Aug 02 2022

web jul 10 2023 the nigerian airforce past questions and answers pack includes airforce past questions for nigerian air men and women all applicants who have applied for the

download nigerian airforce past questions and answers - Dec 06 2022

web nigerian airforce naf tests have the format of the following questions basic english current affairs history geography general knowledge fee nigerian airforce naf

nigerian airforce past questions and answers pdf format - Nov 24 2021

naf past questions nigerian air force past questions pdf 2021 - Apr 29 2022

web nigerian airforce past exam questions is the compilation of all the questions that the nigerian airforce has asked applicants to answer as one of the criteria for employment

nigerian air force past questions answers naf - Jul 13 2023

web 1 the nigerian air force was founded in what year a 18th april 1964 b 18th april 1974 c 18th april 1984 d 18th april 1994 answer is a 2 when is the armed forces day in

nigerian airforce aptitude test past question - Sep 22 2021

[naf past questions air force past questions 2021 guide](#) - Sep 03 2022

web jan 17 2023 this guide covers how to get air force dssc recruitment exam past question the truth is most of the past questions online may not be the real questions

nigerian airforce recruitment past questions and answers - Dec 26 2021

web here you will get relevant questions and answers about the nigerian airforce current affairs maths and english airforce past questions and answers will help you study

nigerian airforce past exam questions infoguidenigeria com - Jan 27 2022

web nigeria air force aptitude test past questions the nigeria air force aptitude test past questions have been formulated to help you pass the test easily in the past the

nigerian air force naf past questions and answers - Mar 29 2022

web 1 you figure out the popular topics there are some topics that jamb waec or any other exam body will tend to prefer more than others for thoroughly testing candidates even

nigerian air force naf past questions and answers pdf - Mar 09 2023

web jun 6 2023 there would be 25 mathematics questions 25 english language questions and 50 general paper questions that s a total of 100 questions in all all questions are

nigerian airforce past question paper pdf prepstage com - Oct 04 2022

web feb 9 2023 free and detailed nigerian airforce past questions and answers are offered alongside how to download them all eligible candidates who shall be taking the naf

download nigerian airforce past questions and - May 31 2022

web sample of nigerian airforce past question and answer 1 the june 12 presidential election was annulled by president ibrahim babangida on a june 12 1993 b june 14

free nigerian air force naf past questions and answers 2022 - Jun 12 2023

web on this page you will see how to get nigerian air force dssc past questions and answers pdf dragnet cbt past questions and answers nigerian air force interview

ati nursing fundamentals study guide updated - Dec 27 2021

web 1 ati fundamentals practice test a b c 2022 100 correct download to score a 2 nursing fundamentals the nursing process ati study guide 2022 download to score a 3 ati fundamentals exam 85 questions answers updated 2022 download to score a 4 fundamentals exam 1 ati 68

ati nursing fundamentals 2013 pdf voto uncal edu br - Mar 30 2022

web fundamentals of nursing 9th edition prepares you to succeed as a nurse by providing a solid foundation in critical

thinking evidence based practice nursing theory and safe clinical care in all settings with illustrated step by step guidelines
this book makes it easy to learn important skills and procedures

ati nursing fundamentals study guide updated - Feb 26 2022

web feb 20 2022 ati nursing fundamentals bundle 19 versions 294 31 45 49 19 items 1 exam elaborations ati fundamentals
practice test c with 80 questions 100 correct answers 2022 2 exam elaborations ati fundamentals practice test b 60 questions
with 100 correct answers updated 3

ati fundamental of nursing for sale ebay - Aug 03 2022

web ati rn fundamentals for nursing edition 8 0 2013 paperback opens in a new window or tab pre owned 4 0 out of 5 stars
ati fundamentals for nursing edition 9 0 content mastery series review module opens in a new window or tab pre owned c 34
17 fishon18 55 100 or best offer

next generation ati testing - Apr 30 2022

web the nursing process this framework is a four or five step process differing between pns and rns that nurses use for
decision making it helps determine priority nursing actions based on the steps below and always starts with data collection
assessment pn 4 steps assessment first analysis planning implementation evaluation data

ati fundamentals fundamentals of nursing exam 1 flashcards - Jan 08 2023

web levels of health care preventative focus on educating to reduce and control risk factors primary emphasizes health
promotion secondary includes the diagnosis and treatment of acute illness and injury tertiary acute care involves provision of
rn fundamentals focus package ati testing - Oct 05 2022

web streamline your fundamentals review with the rn fundamentals focus package the rn fundamentals focus package
includes an online practice assessment and review and study guide designed to work together to focus your review efforts on
areas of greatest need saving you valuable time

ati test for nursing fundamentals part i practice test - Dec 07 2022

web may 1 2023 you can take this ati test for nursing fundamentals to improve your nursing basics there are several facts
that need to be cleared before pursuing the profession here we have got 100 questions for you so that you can practice more
scenarios and topics to clear the exam

fundamentals for students ati - Jun 13 2023

web edition 11 0 add to cart fundamentals this review module offers basic nursing fundamental concepts including
foundations of practice basic nursing care support of psychosocial needs support of physiologic needs and health assessment
study guide test bank for ati and fundamentals - Apr 11 2023

web study guide test bank for ati and fundamentals ati fundamentals exam 1 chapter 1 health care studocu home ai questions

my library study guide test bank for ati and fundamentals multiple test banks av university laguardia community college course fundamentals of nursing scr 110 86 documents academic year

ati fundamentals for nursing ati flashcards quizlet - May 12 2023

web information specific to nursing and acquired through basic nursing ed continuing ed courses advanced degrees and certifications experience decision making ability derived from opportunities to observe sense and interact with clients followed by active reflection

ati1 ati fundamentals studocu - Mar 10 2023

web ati fundamentals ati1 4 days ago a nurse is caring for a client who is scheduled to have his alanine amino transferase alt level checked the client asks the nurse to explain the laboratory test

amazon com ati fundamentals of nursing books - Aug 15 2023

web jan 1 2016 amazon com ati fundamentals of nursing books 1 16 of 240 results for ati fundamentals of nursing results fundamentals for nursing 10 0 by ati nursing education jan 1 2019 155 paperback 1683 list 21 99 free delivery tue jul 25 on 25 of items shipped by amazon only 1 left in stock order soon more buying choices

ati fundamentals fundamentals of nursing exam 1 updated - Jan 28 2022

web 1 ati fundamentals practice test a b c 2022 100 correct download to score a 2 nursing fundamentals the nursing process ati study guide 2022 download to score a 3 ati fundamentals exam 85 questions answers updated 2022 download to score a 4 fundamentals exam 1 ati 68

ati fundamentals final quiz flashcards quizlet - Sep 04 2022

web ati fundamentals final quiz flashcards quizlet a nurse is teaching a client how to self administer insulin which of the following actions should the nurse take to evaluate the client s understanding of the process within the psychomotor domain of learning click the card to flip have the client demonstrates the procedure

ati review fundamental ati exam practice nsg3023 studocu - Jun 01 2022

web chapter 1 ten principles market research a market research for lemon juice and shake bana 2082 exam 1 study guide bana 2081 web assign exam 1 copy of gizmo phase changes se analysis of meaning and relevance of history from the millennial point of view a gentle reminder by bianca sparacino z

rn ati fundamentals 10 0 complete questions and answers - Nov 06 2022

web oct 14 2020 rn ati fundamentals 10 0 complete questions and answers graded a latest 2020 course nur 101 nur101 institution harper college study guide for rn ati fundamentals 10 0 complete chapter 1 58 questions and answers preview 4 out of 59 pages

ati fundamentals of nursing practice questions flashcards - Feb 09 2023

web ati fundamentals of nursing practice questions flashcards quizlet 4 6 5 reviews a nurse is discussing restorative health care with a newly licensed nurse which of the following examples should the nurse include in the teaching select all a home health care b rehabilitation facilities c diagnostic centers

ati fundamentals nursing notes flashcards quizlet - Jul 02 2022

web fundamentals for nursing ati terms in this set 651 medicare for clients over age 65 and or with permanent disabilities premiums applied as insurance program reimburses providers based on drgs premiums applied as managed care organizations mcos provide enrolled clients with comprehensive care overseen by a primary care provider

amazon com ati fundamentals of nursing - Jul 14 2023

web jan 1 2019 fundamentals of nursing review module by author jan 1 2013 4 6 68 paperback 1300 free delivery apr 6 10 or fastest delivery apr 5 6 only 1 left in stock order soon more buying choices 1 17 124 used new offers best seller

livre en tissu crocodile 3d conception livre a to anne sophie - Apr 28 2022

web livre en tissu crocodile 3d conception livre a to below the little barbarian renato moriconi 2018 08 21 the coincidence of martin amis 2011 11 17 ruby and sapphire richard w hughes 2017 01 01 from the dawn of time ruby and sapphire have both attracted and fascinated humans in ways that few other items could while objects of desire

free livre en tissu crocodile 3d conception livre a to - May 10 2023

web livre en tissu crocodile 3d conception livre a to l apocalypse des animaux 1 hen 85 90 une propagande militaire feb 04 2022 by showing the absence of elements that reflect military propaganda in the animal apocalypse this book proposes a new understanding of 1 enoch 85 90 as

livre en tissu crocodile 3d conception livre a to pdf vla ramtech - Aug 01 2022

web getting the books livre en tissu crocodile 3d conception livre a to pdf now is not type of challenging means you could not by yourself going next books gathering or library or borrowing from your connections to way in them this is an unconditionally simple means to specifically get guide by on line this online notice livre en tissu

livre en tissu crocodile 3d conception livre a to pdf - Oct 03 2022

web livre en tissu crocodile 3d conception livre a to pdf reviewing livre en tissu crocodile 3d conception livre a to pdf unlocking the spellbinding force of linguistics in a fast paced world fueled by information and interconnectivity the spellbinding force of linguistics has acquired newfound prominence

livre en tissu crocodile 3d conception livre a to 2023 - Aug 13 2023

web spines and a crocodile s teeth a chameleon s tail and a cockerel s feet what on earth could it be uncover this mysterious and fabulous beast through alexandra milton s stunning collage

livre en tissu crocodile 3d conception livre a to pdf copy - May 30 2022

web jun 20 2023 rather than enjoying a fine ebook bearing in mind a mug of coffee in the afternoon otherwise they juggled subsequently some harmful virus inside their computer livre en tissu crocodile 3d conception livre a to pdf is handy in our digital library an online permission to it is set as public as a result you can download it instantly

livre en tissu crocodile 3d conception livre a to checkin - Dec 05 2022

web livre en tissu crocodile 3d conception livre a to 3 3 la liste exhaustive des ouvrages disponibles publiés en langue française dans le monde la liste des éditeurs et la liste des collections de langue française my animals john wiley sons it s the little series that could indestructibles are innovative books built for the way babies

7 comic book stores in singapore with vintage copies new - Jul 12 2023

web oct 30 2019 image credit professor spidey address 68 orchard road b1 17 plaza singapore 238839 telephone 6333 3193 opening hours daily 11am to 9 30pm website 3 evernew book store clearance rack with items

livre d éveil le tuto mon p tit trésor - Mar 08 2023

web jun 4 2019 parmi les nombreux jeux qui développent la curiosité des tout petits il y a les jolis livres en tissu je vous propose de confectionner le votre avec des assemblages de tissus doux colorés et brillants d écussons thermocollants et de perles pour stimuler les sens de bébé

6 best comic book stores in singapore and the issues you - Jun 11 2023

web city hall get your geek on when you step into absolute comics this plaza singapura comic book depository has shelves and shelves of comic book swag from star wars issues to the latest batman

livre en tissu crocodile 3d conception livre a to pdf full pdf - Jun 30 2022

web livre en tissu crocodile 3d conception livre a to pdf is available in our book collection an online access to it is set as public so you can get it instantly our books collection spans in multiple locations allowing you to get the most less latency time to download any of our books like this one

livre en tissu crocodile 3d conception livre à toucher son de - Feb 24 2022

web livre en tissu crocodile 3d conception livre à toucher son de friction livre de jouets de bébé livre d éveil enfant anglais apprentissage livre de découvertes cadeaux pour naissance garçon fille by zerodis april 15th 2020 la célèbre histoire de petit ours nous revient en mini pop

livre en tissu crocodile 3d conception livre a to pdf stoa - Sep 14 2023

web livre en tissu crocodile 3d conception livre a to pdf is available in our digital library an online access to it is set as public as a result you can download it instantly

livre en tissu crocodile 3d conception livre a to - Mar 28 2022

web 1 livre en tissu crocodile 3d conception livre a to vle bristolfreeschool org uk download resources man leopard murders

david pratten 2007 06 19

free livre en tissu crocodile 3d conception livre a to - Nov 04 2022

web livre en tissu crocodile 3d conception livre a to designing with smart textiles aug 23 2023 if you want to understand and be a part of the creative revolution in materials design then designing with smart textiles is the complete toolkit you need to get started beginning by introducing the

best comic book stores in singapore to geek out to honeycombers - Feb 07 2023

web feb 26 2021 3 wonderific comics there are lots of reasons to pay a visit to holland village and wonderific comics is one of them the store stocks a wide variety of current issues as well as back issues and rarities like stained and eternal empire wonderific comics 03 24 211 holland avenue singapore 278967 4

baby and toddler books lovingly signed singapore - Oct 15 2023

web if i were a lamb book 229 reviews 34 00 garden tails book 229 reviews from 34 90 looking for a gorgeous gift for a baby or toddler shop our collection of baby and toddler books at lovingly signed singapore we have the perfect baby gift for every occasion

livre en tissu crocodile 3d conception livre à toucher son de - Jan 06 2023

web livre pop up illustr 3 16 de par tissu en soie pour la dcoration intrieure photo gratuite fr livre crocodile enfant bb 2 ans livres spécification condition 100 tout neuf matériel tissu poids 132 g Ã ge approprié plus de 6 mois taille 24 18 5cm 9 4 7 inch liste de colis 1 x livre en tissu pour bébé

livre en tissu crocodile 3d conception livre a to copy - Sep 02 2022

web livre en tissu crocodile 3d conception livre a to livre en tissu crocodile 3d conception livre a to 2 downloaded from emidproxy vaccination gov ng on 2023 09 24 by guest heminway editor teaches grammar creative writing translation african cinema and classic and francophone literature at the scps of new york university she is also a

bookstores that deliver to your doorstep in singapore time out - Apr 09 2023

web shopping bookshops tong bahru it s business as usual for booksactually on its online store the team has been diligently keeping up with orders so you can get your books delivered to your