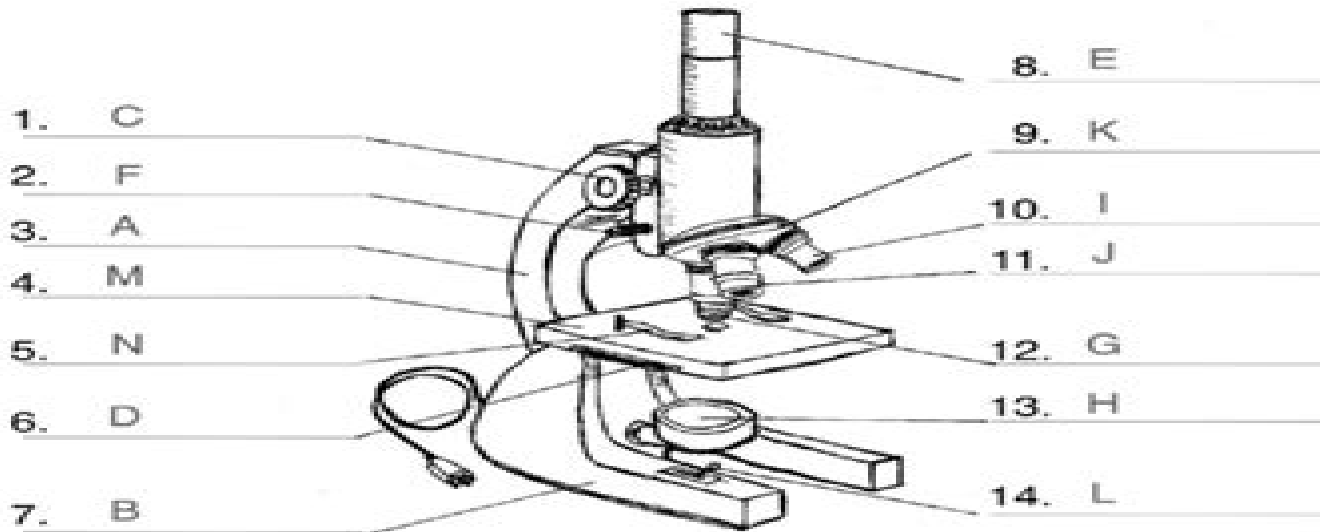


Name KEY
Period

Quiz: Using a Microscope

Label the parts of the microscope. Write the correct letter in each blank.

- | | |
|---------------------------------|--------------------------------|
| A. arm | H. lamp |
| B. base | I. low power objective lens |
| C. coarse adjustment knob | J. medium power objective lens |
| D. diaphragm (light adjustment) | K. nosepiece |
| E. eye piece | L. on/off switch |
| F. fine adjustment knob | M. stage |
| G. high power objective lens | N. stage clips |



Microscope Test Questions And Answers

Léo Pomar



Microscope Test Questions And Answers:

Whispering the Strategies of Language: An Emotional Journey through **Microscope Test Questions And Answers**

In a digitally-driven earth wherever displays reign supreme and instant transmission drowns out the subtleties of language, the profound secrets and psychological subtleties concealed within phrases usually go unheard. However, located within the pages of **Microscope Test Questions And Answers** a interesting fictional value sporting with organic thoughts, lies an exceptional journey waiting to be undertaken. Penned by an experienced wordsmith, that charming opus encourages viewers on an introspective journey, gently unraveling the veiled truths and profound influence resonating within the material of each word. Within the psychological depths with this emotional evaluation, we can embark upon a heartfelt exploration of the book is key styles, dissect their fascinating publishing type, and yield to the strong resonance it evokes deep within the recesses of readers hearts.

<https://py.bijouxmedusa.com/data/scholarship/fetch.php/38%201374%20Cloud%20Computing%20Comparison%20For%20Creators%2038%20597%20Cloud%20Computing.pdf>

Table of Contents Microscope Test Questions And Answers

1. Understanding the eBook Microscope Test Questions And Answers
 - The Rise of Digital Reading Microscope Test Questions And Answers
 - Advantages of eBooks Over Traditional Books
2. Identifying Microscope Test Questions And Answers
 - Exploring Different Genres
 - Considering Fiction vs. Non-Fiction
 - Determining Your Reading Goals
3. Choosing the Right eBook Platform
 - Popular eBook Platforms
 - Features to Look for in an Microscope Test Questions And Answers
 - User-Friendly Interface
4. Exploring eBook Recommendations from Microscope Test Questions And Answers

- Personalized Recommendations
 - Microscope Test Questions And Answers User Reviews and Ratings
 - Microscope Test Questions And Answers and Bestseller Lists
5. Accessing Microscope Test Questions And Answers Free and Paid eBooks
 - Microscope Test Questions And Answers Public Domain eBooks
 - Microscope Test Questions And Answers eBook Subscription Services
 - Microscope Test Questions And Answers Budget-Friendly Options
 6. Navigating Microscope Test Questions And Answers eBook Formats
 - ePub, PDF, MOBI, and More
 - Microscope Test Questions And Answers Compatibility with Devices
 - Microscope Test Questions And Answers Enhanced eBook Features
 7. Enhancing Your Reading Experience
 - Adjustable Fonts and Text Sizes of Microscope Test Questions And Answers
 - Highlighting and Note-Taking Microscope Test Questions And Answers
 - Interactive Elements Microscope Test Questions And Answers
 8. Staying Engaged with Microscope Test Questions And Answers
 - Joining Online Reading Communities
 - Participating in Virtual Book Clubs
 - Following Authors and Publishers Microscope Test Questions And Answers
 9. Balancing eBooks and Physical Books Microscope Test Questions And Answers
 - Benefits of a Digital Library
 - Creating a Diverse Reading Collection Microscope Test Questions And Answers
 10. Overcoming Reading Challenges
 - Dealing with Digital Eye Strain
 - Minimizing Distractions
 - Managing Screen Time
 11. Cultivating a Reading Routine Microscope Test Questions And Answers
 - Setting Reading Goals Microscope Test Questions And Answers
 - Carving Out Dedicated Reading Time
 12. Sourcing Reliable Information of Microscope Test Questions And Answers

- Fact-Checking eBook Content of Microscope Test Questions And Answers
 - Distinguishing Credible Sources
13. Promoting Lifelong Learning
- Utilizing eBooks for Skill Development
 - Exploring Educational eBooks
14. Embracing eBook Trends
- Integration of Multimedia Elements
 - Interactive and Gamified eBooks

Microscope Test Questions And Answers Introduction

In today's digital age, the availability of Microscope Test Questions And Answers books and manuals for download has revolutionized the way we access information. Gone are the days of physically flipping through pages and carrying heavy textbooks or manuals. With just a few clicks, we can now access a wealth of knowledge from the comfort of our own homes or on the go. This article will explore the advantages of Microscope Test Questions And Answers books and manuals for download, along with some popular platforms that offer these resources. One of the significant advantages of Microscope Test Questions And Answers books and manuals for download is the cost-saving aspect. Traditional books and manuals can be costly, especially if you need to purchase several of them for educational or professional purposes. By accessing Microscope Test Questions And Answers versions, you eliminate the need to spend money on physical copies. This not only saves you money but also reduces the environmental impact associated with book production and transportation. Furthermore, Microscope Test Questions And Answers books and manuals for download are incredibly convenient. With just a computer or smartphone and an internet connection, you can access a vast library of resources on any subject imaginable. Whether you're a student looking for textbooks, a professional seeking industry-specific manuals, or someone interested in self-improvement, these digital resources provide an efficient and accessible means of acquiring knowledge. Moreover, PDF books and manuals offer a range of benefits compared to other digital formats. PDF files are designed to retain their formatting regardless of the device used to open them. This ensures that the content appears exactly as intended by the author, with no loss of formatting or missing graphics. Additionally, PDF files can be easily annotated, bookmarked, and searched for specific terms, making them highly practical for studying or referencing. When it comes to accessing Microscope Test Questions And Answers books and manuals, several platforms offer an extensive collection of resources. One such platform is Project Gutenberg, a nonprofit organization that provides over 60,000 free eBooks. These books are primarily in the public domain, meaning they can be freely distributed and downloaded. Project Gutenberg offers a wide

range of classic literature, making it an excellent resource for literature enthusiasts. Another popular platform for Microscope Test Questions And Answers books and manuals is Open Library. Open Library is an initiative of the Internet Archive, a non-profit organization dedicated to digitizing cultural artifacts and making them accessible to the public. Open Library hosts millions of books, including both public domain works and contemporary titles. It also allows users to borrow digital copies of certain books for a limited period, similar to a library lending system. Additionally, many universities and educational institutions have their own digital libraries that provide free access to PDF books and manuals. These libraries often offer academic texts, research papers, and technical manuals, making them invaluable resources for students and researchers. Some notable examples include MIT OpenCourseWare, which offers free access to course materials from the Massachusetts Institute of Technology, and the Digital Public Library of America, which provides a vast collection of digitized books and historical documents. In conclusion, Microscope Test Questions And Answers books and manuals for download have transformed the way we access information. They provide a cost-effective and convenient means of acquiring knowledge, offering the ability to access a vast library of resources at our fingertips. With platforms like Project Gutenberg, Open Library, and various digital libraries offered by educational institutions, we have access to an ever-expanding collection of books and manuals. Whether for educational, professional, or personal purposes, these digital resources serve as valuable tools for continuous learning and self-improvement. So why not take advantage of the vast world of Microscope Test Questions And Answers books and manuals for download and embark on your journey of knowledge?

FAQs About Microscope Test Questions And Answers Books

How do I know which eBook platform is the best for me? Finding the best eBook platform depends on your reading preferences and device compatibility. Research different platforms, read user reviews, and explore their features before making a choice. Are free eBooks of good quality? Yes, many reputable platforms offer high-quality free eBooks, including classics and public domain works. However, make sure to verify the source to ensure the eBook credibility. Can I read eBooks without an eReader? Absolutely! Most eBook platforms offer web-based readers or mobile apps that allow you to read eBooks on your computer, tablet, or smartphone. How do I avoid digital eye strain while reading eBooks? To prevent digital eye strain, take regular breaks, adjust the font size and background color, and ensure proper lighting while reading eBooks. What the advantage of interactive eBooks? Interactive eBooks incorporate multimedia elements, quizzes, and activities, enhancing the reader engagement and providing a more immersive learning experience. Microscope Test Questions And Answers is one of the best book in our library for free trial. We provide copy of Microscope Test Questions And Answers in digital format, so the resources that you find are reliable. There are also many Ebooks of related with Microscope Test

Questions And Answers. Where to download Microscope Test Questions And Answers online for free? Are you looking for Microscope Test Questions And Answers PDF? This is definitely going to save you time and cash in something you should think about.

Find Microscope Test Questions And Answers :

38-1374 cloud computing comparison for creators 38-597 cloud computing

business 38-1528 minimalist lifestyle apps for creators 38-1758

small business ideas blueprint America 38-2898 small business ideas case

38-2787 passive income ideas checklist United States 38-1423 passive

step USA 38-362 cybersecurity step by step for creators 38-590

startups 38-2755 machine learning basics tutorial USA 38-2577 machine

marketing tools America 38-2215 AI marketing tools United States 38-2049

America 38-660 self improvement step by step for creators 38-2047 self

planning blueprint for creators 38-1529 retirement planning case study

Instagram growth roadmap United States 38-2045 Instagram growth roadmap

travel apps USA 38-728 luxury travel apps United States 38-2128 luxury

weight loss review United States 38-1865 weight loss review United

planning ideas USA 38-1030 retirement planning ideas for creators

38-1444 mobile app ideas ideas United States 38-1701 mobile app ideas

38-149 startup funding strategies for small business 38-2750 startup

Microscope Test Questions And Answers :

amazon com emotional intelligence 3 books in 1 emotional - Sep 08 2023

web emotional intelligence 3 books in 1 emotional intelligence for leadership improve your social skills and empath a complete guide to master your emotions and feeling

emotional intelligence 3 books in 1 audible com - Dec 31 2022

web emotional intelligence mastery 3 1 bundle book 1 emotional intelligence book 2 how to analyze people book 3 cognitive behavioral therapy audible audiobook

if you re going to read books on emotional intelligence - Feb 01 2023

web emotional intelligence also known as eq emotional intelligence 3 books in 1 uncovers all you need to know about eq inside you will learn the following emotional

[emotional intelligence 3 books in 1 audible com](#) - May 04 2023

web emotional intelligence 3 books in 1 learn how to raise your self esteem and develop willpower using cognitive behavioral therapy to overcome anxiety and depression by

[emotional intelligence 3 books in 1 audible com](#) - Apr 03 2023

web jul 14 2016 a great starter on eq 3 coaching for emotional intelligence the secret to developing the star potential in your employees this book provides a carefully

[emotional intelligence 3 books in 1 google books](#) - Sep 27 2022

web sep 14 2023 1 emotional intelligence why it can matter more than iq by daniel goleman ph d this new york times bestseller popularized the concept of emotional

[emotional intelligence 7 books in 1 improve your life](#) - Jun 24 2022

web the 20 best emotional intelligence books recommended by tony robbins dan dakich doug ulman neal katyal and trevor ncube

[20 best new emotional intelligence books to read in 2023](#) - Oct 17 2021

emotional intelligence by daniel goleman 9780553804911 - May 24 2022

web apr 22 2021 the 15 best books on emotional intelligence 1 emotional intelligence why it can matter more than iq by daniel goleman check price on amazon written

emotional intelligence 3 books in 1 emotional intelli - Oct 09 2023

web nov 9 2019 emotional intelligence 3 books in 1 emotional intelligence for leadership improve your social skills empath a complete guide to master your

10 best emotional intelligence books to read 2023 list - Feb 18 2022

web nov 24 2022 read this book if emotional intelligence is a new concept to you you enjoy reading stories and case studies you re looking for an easy read top pick for

[emotional intelligence mastery 3 books in 1 goodreads](#) - Aug 07 2023

web read reviews from the world s largest community for readers 3 books in 1 emotional intelligence empath and self discipline do you possess everything t emotional

12 must read books that will raise your emotional - Jun 05 2023

web emotional intelligence 3 books in 1 emotional intelligence for leadership improve your social skills and empath a

complete guide to master your emotions and feeling

emotional intelligence mastery 3 1 bundle book 1 emotional - Oct 29 2022

web feb 27 2019 master emotional intelligence 7 books in 1 emotional intelligence how to analyze people cognitive behavioral therapy self discipline manipulation anger

15 best books on emotional intelligence live bold and bloom - Mar 22 2022

web the influence of words on emotions plays an important role in emotional intelligence anger and resentment sadness loss and pain fear guilt and regret the power to

21 best books on emotional intelligence reviewed 2022 - Dec 19 2021

web a list of 20 new emotional intelligence books you should read in 2023 such as be the light decoding human nature and emotional intelligence

emotional intelligence 3 books in 1 retraining your b - Jul 06 2023

web read reviews from the world s largest community for readers 3 books in 1 included in this book collection 1 retraining your how to control your emotion emotional

20 best emotional intelligence books of all time bookauthority - Apr 22 2022

web mar 14 2023 here are some of the best emotional intelligence books to read in 2023 1 emotional intelligence 2 0 by travis bradberry and jean greaves emotional

master emotional intelligence 7 books in 1 emotional - Aug 27 2022

web jan 8 2020 4 67 6 ratings3 reviews emotional intelligence is an aspect of intelligence linked to the ability to consciously recognize use understand and manage one s own

26 best emotional intelligence books reviews - Nov 29 2022

web they are the major obstacles to happiness and peace of mind this book is your comprehensive guide to remove stress from your life and start living happily this book

the 20 best emotional intelligence books to read before 30 - Mar 02 2023

web jul 30 2018 lead if you re going to read books on emotional intelligence please start with these 12 boomers xers and millennials alike should benefit from reading some of

100 books every ceo and founder should read inc com - Nov 17 2021

20 emotional intelligence books for free pdf infobooks org - Jan 20 2022

web nov 6 2023 a blast of the non obvious this week i m recommending a list of more surprising titles courtesy of inc and entrepreneur rohit bhargava the first inc non

10 best emotional intelligence books to transform your life - Jul 26 2022

web daniel goleman is the new york times bestselling author of the groundbreaking book emotional intelligence a psychologist and science journalist he reported on brain and

vegan à go go a cookbook survival manual for vegans on - Dec 28 2021

vegan a go go a cookbook and survival manual for vegans - Sep 17 2023

web vegan a go go a cookbook and survival manual for vegans on the road sarah kramer amazon com tr kitap

vegan à go go a cookbook survival manual for vegans on the - Sep 05 2022

web buy a cheap copy of vegan go go a cookbook survival book by sarah kramer 2008 veggie award winner comeback of the year 2009 libby award winner peta

vegan go go a cookbook survival book by sarah kramer - Jul 03 2022

web vegan a go go a cookbook survival manual for vegans on the road on amazon com au free shipping on eligible orders a cookbook survival manual

22 vegan cookbooks that will change your cooking - Feb 27 2022

web sep 1 2008 amazon com vegan à go go a cookbook survival manual for vegans on the road ebook kramer sarah kindle store

vegan à go go a cookbook survival manual for vegans on - Jan 09 2023

web vegan go go represents a change of pace for sarah a cookbook and more for vegan travelers many of whom are daunted by the idea of going on the road and being able to

the 19 best vegan cookbooks for beginners in 2022 - Jan 29 2022

web vegan à go go a cookbook survival manual for vegans on the road ebook kramer sarah amazon co uk books

vegan a go go a cookbook survival manual for vegans on - Oct 06 2022

web buy vegan a go go a cookbook survival manual for vegans on the road by sarah kramer online at alibris we have new and used copies available in 1 editions starting

vegan a go go a cookbook survival manual for vegans on - May 01 2022

web jan 14 2022 the happy pear vegan cooking for everyone by stephen david flynn the happy pear in greystones near dublin ireland is never without a long winding line

vegan à go go a cookbook survival manual for vegans on - Apr 12 2023

web vegan à go go a cookbook survival manual for vegans on the road author sarah kramer summary sarah kramer is a vegan superstar she was named the world s

vegan a go go a cookbook survival manual for - Mar 11 2023

web p sarah kramer is an established vegan cookbook author together her three previous books all published by arsenal have sold over 200 000 copies her most recent book

vegan a go go a cookbook survival manual for vegans on - Aug 04 2022

web vegan a go go represents a change of pace for sarah it is a cookbook and more for vegan travelers many of whom are daunted by the idea of going on the road and being

vegan à go go a cookbook survival manual for vegans on - May 13 2023

web vegan a go go a cookbook survival manual for vegans on the road kramer sarah 9781551522401 books amazon ca

vegan a go go a cookbook survival manual for - Aug 16 2023

web vegan à go go a cookbook survival manual for vegans on the road ebook written by sarah kramer read this book using google play books app on your pc android

vegan à go go a cookbook survival manual for vegans on - Jun 14 2023

web vegan a go go represents a change of pace for sarah it is a cookbook and more for vegan travelers many of whom are daunted by the idea of going on the road and being

vegan à go go a cookbook survival manual for vegans on - Oct 26 2021

vegan à go go a cookbook survival manual for vegans on the - Feb 10 2023

web a cookbook survival manual for vegans on the road online on amazon eg at best prices fast and free shipping free returns cash on delivery available on eligible

vegan à go go a cookbook survival manual for vegans on - Nov 26 2021

vegan a go go a cookbook survival manual for vegans on - Dec 08 2022

web a cookbook survival manual for vegans on the road 9781551522401 by kramer sarah and a great selection of similar new used and collectible books available now at

vegan a go go a cookbook survival manual for - Jul 15 2023

web vegan à go go represents a change of pace for sarah a cookbook and more for vegan travellers many of whom are daunted by the idea of going on the road and being able to

vegan go go a cookbook and survival manual for vegans on - Nov 07 2022

web vegan à go go a cookbook survival manual for vegans on the road by kramer sarah 1968

vegan à go go on apple books - Jun 02 2022

web you are in page mode vegan à go go sarah kramer calculating pages loading
[vegan à go go a cookbook survival manual for vegans on](#) - Mar 31 2022

web mar 11 2021 download vegan à go go a cookbook survival manual for vegans on the road or any other file from books category http download also available at fast

main event wwe in the raging 80s paperback - May 16 2023

web description every saturday night in the eighties fans would gather around their television to watch not saturday night live but saturday night the main event wwe wrestling

amazon com customer reviews main event wwe in the - Aug 07 2022

web dec 16 2017 an edition of main event wwe in the raging 80s

[main event wwe in the raging 80s brian shields](#) - Feb 13 2023

web main event wwe in the raging 80s dips into those years and reveals the most celebrated wrestlers and the matches that will be recalled as not just the best of the

10 most wwe important matches of the 1980s thesportster - Dec 31 2021

[main event by brian shields ebook scribd](#) - Apr 15 2023

web may 28 2010 the main event is a great look at when the wwe really took off in popularity the wwe went to cable tv and wrestling took off it covers all the

main event wwe in the raging 80s shields amazon com au - Jul 06 2022

web buy a cheap copy of main event wwe in the raging 80s wwe book by brian shields every saturday night in the eighties fans would gather around their television to watch

main event wwe in the raging 80s shields brian - Sep 20 2023

web jun 15 2010 main event wwe in the raging 80s dips into those years and reveals the most celebrated wrestlers and the matches that will be recalled as not just the best of the

[main event wwe in the raging 80s by brian shields](#) - Jun 17 2023

web main event wwe in the raging 80s dips into those years and reveals the most celebrated wrestlers and the matches that will be recalled as not just the best of the

[main event on apple books](#) - May 04 2022

web sep 27 2019 wwe had a cartoon its stars were appearing in movies and celebrities from all walks of life appeared at wwe events it was a fun time to be a wwe fan with

main event wwe in the raging 80s wwe book by brian - Mar 02 2022

web the eighties was the era that cemented wwe as the place where the best wrestlers on the planet worked main event wwe in the raging 80s dips into those years and reveals

buy main event wwe in the raging 80s book online at low - Jun 05 2022

web jun 15 2010 main event wwe in the raging 80s dips into those years and reveals the most celebrated wrestlers and the matches that will be recalled as not just the best of the

main event wwe in the raging 80s storytel - Oct 29 2021

hamas israel trade blame after gaza hospital blast ap news - Nov 29 2021

main event by brian shields overdrive - Feb 01 2022

web select the department you want to search in

main event wwe in the raging 80s open library - Apr 03 2022

web oct 18 2023 after blast kills hundreds at gaza hospital hamas and israel trade blame as rage spreads in region wounded palestinians wait for treatment in al shifa hospital in

main event wwe in the raging 80s by brian shields tertulia - Sep 08 2022

web jun 15 2010 the eighties was the era that cemented wwe as the place where the best wrestlers on the planet worked main event wwe in the raging 80s dips into those

main event wwe in the raging 80s brian shields google books - Mar 14 2023

web wwe wrestling beat the ratings for the most talked about show on television week after week here is that era captured introducing your champion from venice beach

main event wwe in the raging 80s kağıt kapak amazon com tr - Jul 18 2023

web jun 15 2010 main event wwe in the raging 80s show full title by brian shields 3 5 2 ratings about this ebook every saturday night in the eighties fans would gather around

main event wwe in the raging 80s kindle edition amazon in - Sep 27 2021

main event wwe in the raging 80s google books - Aug 19 2023

web arama yapmak istediğiniz kategoriyi seçin

main event wwe in the raging 80s amazon com - Oct 09 2022

web amazon in buy main event wwe in the raging 80s book online at best prices in india on amazon in read main event wwe in the raging 80s book reviews author details

main event wwe in the raging 80s kindle edition amazon ca - Jan 12 2023

web nov 7 2006 the eighties was the era that cemented wwe as the place where the best wrestlers on the planet worked

main event wwe in the raging 80s dips into those

main event ebook by brian shields official publisher page - Nov 10 2022

web main event wwe in the raging 80s shields on amazon com au free shipping on eligible orders main event wwe in the raging 80s

main event wwe in the raging 80s kindle edition amazon co uk - Dec 11 2022

web the main event is a great look at when the wwe really took off in popularity the wwe went to cable tv and wrestling took off it covers all the