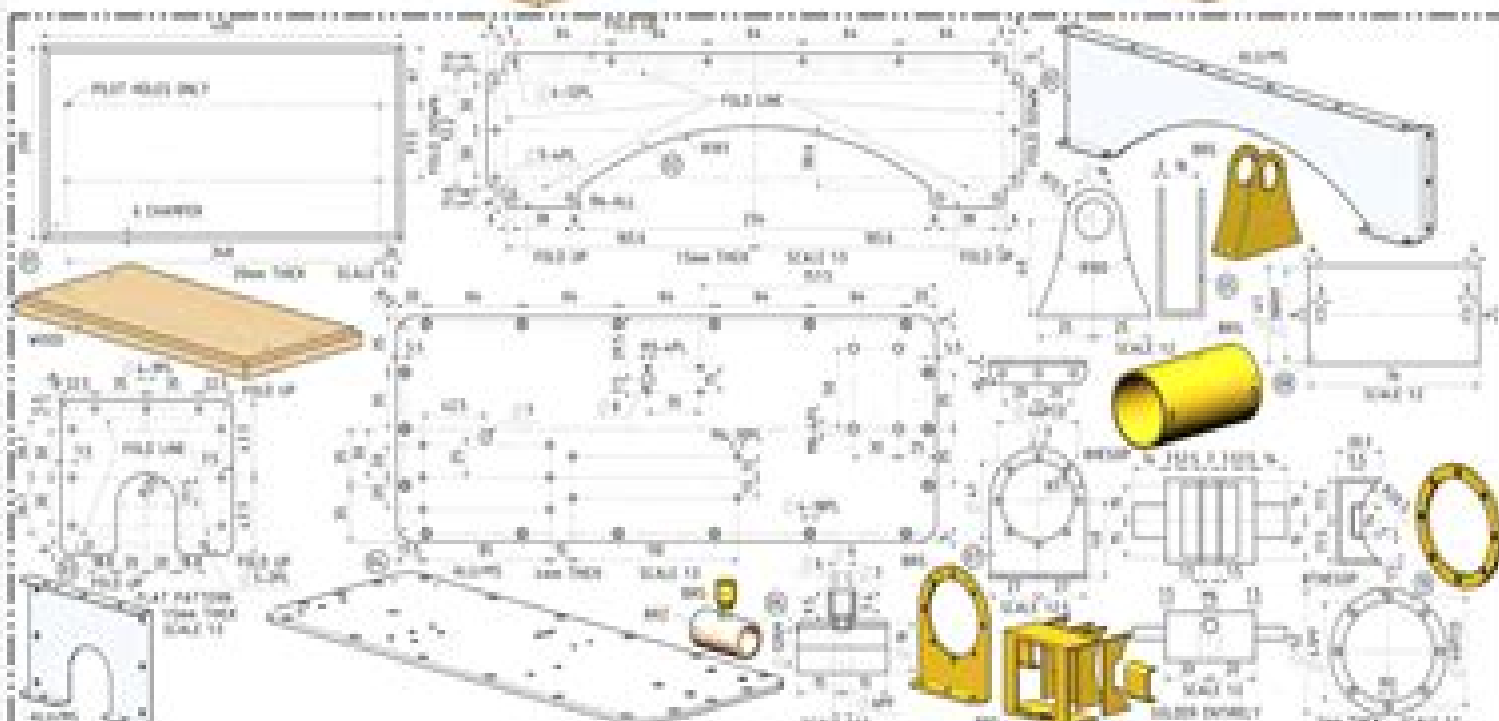
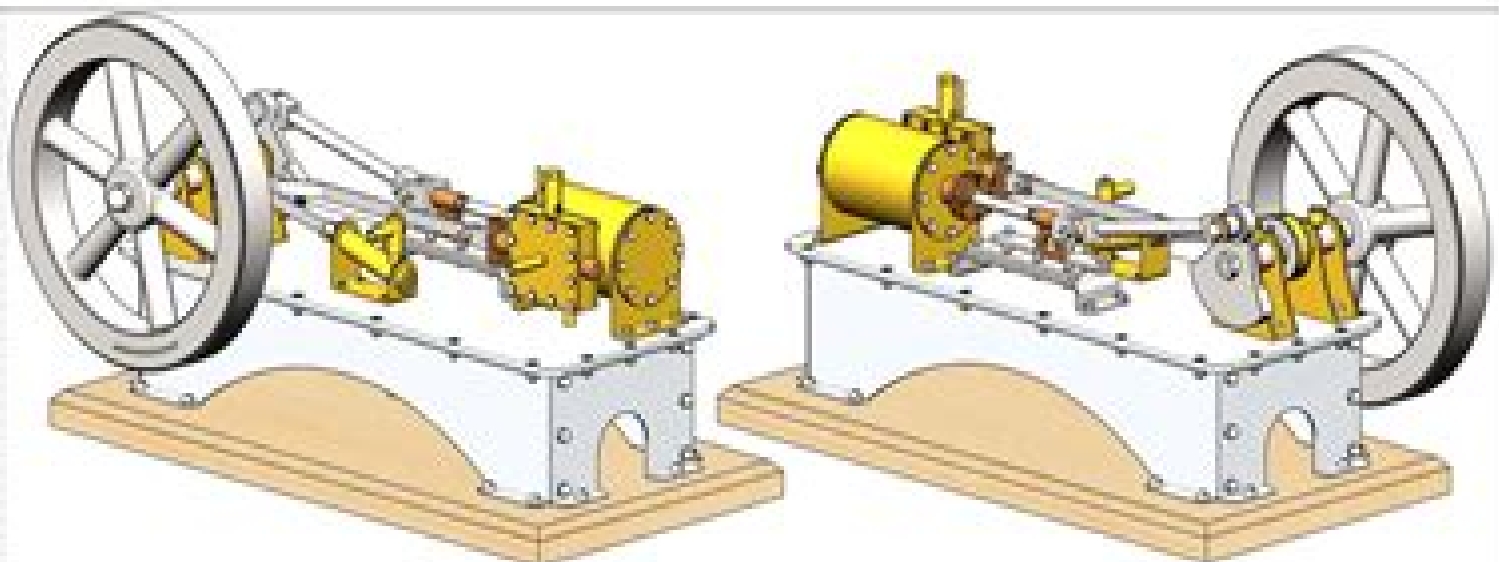


- 100244-01-000000 BASE 17" DIA
- 100244-02-000000 PLATE 1/8" THICK
- 100244-03-000000 PLATE 1/8" THICK
- 100244-04-000000 PLATE 1/8" THICK
- 100244-05-000000 PLATE 1/8" THICK
- 100244-06-000000 PLATE 1/8" THICK
- 100244-07-000000 PLATE 1/8" THICK
- 100244-08-000000 PLATE 1/8" THICK
- 100244-09-000000 PLATE 1/8" THICK
- 100244-10-000000 PLATE 1/8" THICK
- 100244-11-000000 PLATE 1/8" THICK
- 100244-12-000000 PLATE 1/8" THICK
- 100244-13-000000 PLATE 1/8" THICK
- 100244-14-000000 PLATE 1/8" THICK
- 100244-15-000000 PLATE 1/8" THICK
- 100244-16-000000 PLATE 1/8" THICK
- 100244-17-000000 PLATE 1/8" THICK
- 100244-18-000000 PLATE 1/8" THICK
- 100244-19-000000 PLATE 1/8" THICK
- 100244-20-000000 PLATE 1/8" THICK
- 100244-21-000000 PLATE 1/8" THICK
- 100244-22-000000 PLATE 1/8" THICK
- 100244-23-000000 PLATE 1/8" THICK
- 100244-24-000000 PLATE 1/8" THICK
- 100244-25-000000 PLATE 1/8" THICK
- 100244-26-000000 PLATE 1/8" THICK
- 100244-27-000000 PLATE 1/8" THICK
- 100244-28-000000 PLATE 1/8" THICK
- 100244-29-000000 PLATE 1/8" THICK
- 100244-30-000000 PLATE 1/8" THICK
- 100244-31-000000 PLATE 1/8" THICK
- 100244-32-000000 PLATE 1/8" THICK
- 100244-33-000000 PLATE 1/8" THICK
- 100244-34-000000 PLATE 1/8" THICK
- 100244-35-000000 PLATE 1/8" THICK
- 100244-36-000000 PLATE 1/8" THICK
- 100244-37-000000 PLATE 1/8" THICK
- 100244-38-000000 PLATE 1/8" THICK
- 100244-39-000000 PLATE 1/8" THICK
- 100244-40-000000 PLATE 1/8" THICK
- 100244-41-000000 PLATE 1/8" THICK
- 100244-42-000000 PLATE 1/8" THICK
- 100244-43-000000 PLATE 1/8" THICK
- 100244-44-000000 PLATE 1/8" THICK
- 100244-45-000000 PLATE 1/8" THICK
- 100244-46-000000 PLATE 1/8" THICK
- 100244-47-000000 PLATE 1/8" THICK
- 100244-48-000000 PLATE 1/8" THICK
- 100244-49-000000 PLATE 1/8" THICK
- 100244-50-000000 PLATE 1/8" THICK
- 100244-51-000000 PLATE 1/8" THICK
- 100244-52-000000 PLATE 1/8" THICK
- 100244-53-000000 PLATE 1/8" THICK
- 100244-54-000000 PLATE 1/8" THICK
- 100244-55-000000 PLATE 1/8" THICK
- 100244-56-000000 PLATE 1/8" THICK
- 100244-57-000000 PLATE 1/8" THICK
- 100244-58-000000 PLATE 1/8" THICK
- 100244-59-000000 PLATE 1/8" THICK
- 100244-60-000000 PLATE 1/8" THICK
- 100244-61-000000 PLATE 1/8" THICK
- 100244-62-000000 PLATE 1/8" THICK
- 100244-63-000000 PLATE 1/8" THICK
- 100244-64-000000 PLATE 1/8" THICK
- 100244-65-000000 PLATE 1/8" THICK
- 100244-66-000000 PLATE 1/8" THICK
- 100244-67-000000 PLATE 1/8" THICK
- 100244-68-000000 PLATE 1/8" THICK
- 100244-69-000000 PLATE 1/8" THICK
- 100244-70-000000 PLATE 1/8" THICK
- 100244-71-000000 PLATE 1/8" THICK
- 100244-72-000000 PLATE 1/8" THICK
- 100244-73-000000 PLATE 1/8" THICK
- 100244-74-000000 PLATE 1/8" THICK
- 100244-75-000000 PLATE 1/8" THICK
- 100244-76-000000 PLATE 1/8" THICK
- 100244-77-000000 PLATE 1/8" THICK
- 100244-78-000000 PLATE 1/8" THICK
- 100244-79-000000 PLATE 1/8" THICK
- 100244-80-000000 PLATE 1/8" THICK
- 100244-81-000000 PLATE 1/8" THICK
- 100244-82-000000 PLATE 1/8" THICK
- 100244-83-000000 PLATE 1/8" THICK
- 100244-84-000000 PLATE 1/8" THICK
- 100244-85-000000 PLATE 1/8" THICK
- 100244-86-000000 PLATE 1/8" THICK
- 100244-87-000000 PLATE 1/8" THICK
- 100244-88-000000 PLATE 1/8" THICK
- 100244-89-000000 PLATE 1/8" THICK
- 100244-90-000000 PLATE 1/8" THICK
- 100244-91-000000 PLATE 1/8" THICK
- 100244-92-000000 PLATE 1/8" THICK
- 100244-93-000000 PLATE 1/8" THICK
- 100244-94-000000 PLATE 1/8" THICK
- 100244-95-000000 PLATE 1/8" THICK
- 100244-96-000000 PLATE 1/8" THICK
- 100244-97-000000 PLATE 1/8" THICK
- 100244-98-000000 PLATE 1/8" THICK
- 100244-99-000000 PLATE 1/8" THICK
- 100244-100-000000 PLATE 1/8" THICK



Model Steam Engine Plans For Everything

D Keegan



Model Steam Engine Plans For Everything:

Model Steam Engine Plans For Everything: Bestsellers in 2023 The year 2023 has witnessed a noteworthy surge in literary brilliance, with numerous compelling novels captivating the hearts of readers worldwide. Lets delve into the realm of popular books, exploring the fascinating narratives that have enthralled audiences this year. The Must-Read : Colleen Hoover's "It Ends with Us" This touching tale of love, loss, and resilience has captivated readers with its raw and emotional exploration of domestic abuse. Hoover expertly weaves a story of hope and healing, reminding us that even in the darkest of times, the human spirit can succeed. Uncover the Best : Taylor Jenkins Reids "The Seven Husbands of Evelyn Hugo" This spellbinding historical fiction novel unravels the life of Evelyn Hugo, a Hollywood icon who defies expectations and societal norms to pursue her dreams. Reids compelling storytelling and compelling characters transport readers to a bygone era, immersing them in a world of glamour, ambition, and self-discovery. Model Steam Engine Plans For Everything : Delia Owens "Where the Crawdads Sing" This evocative coming-of-age story follows Kya Clark, a young woman who grows up alone in the marshes of North Carolina. Owens spins a tale of resilience, survival, and the transformative power of nature, captivating readers with its evocative prose and mesmerizing setting. These bestselling novels represent just a fraction of the literary treasures that have emerged in 2023. Whether you seek tales of romance, adventure, or personal growth, the world of literature offers an abundance of engaging stories waiting to be discovered. The novel begins with Richard Papen, a bright but troubled young man, arriving at Hampden College. Richard is immediately drawn to the group of students who call themselves the Classics Club. The club is led by Henry Winter, a brilliant and charismatic young man. Henry is obsessed with Greek mythology and philosophy, and he quickly draws Richard into his world. The other members of the Classics Club are equally as fascinating. Bunny Corcoran is a wealthy and spoiled young man who is always looking for a good time. Charles Tavis is a quiet and reserved young man who is deeply in love with Henry. Camilla Macaulay is a beautiful and intelligent young woman who is drawn to the power and danger of the Classics Club. The students are all deeply in love with Morrow, and they are willing to do anything to please him. Morrow is a complex and mysterious figure, and he seems to be manipulating the students for his own purposes. As the students become more involved with Morrow, they begin to commit increasingly dangerous acts. The Secret History is a brilliant and thrilling novel that will keep you wondering until the very end. The novel is a cautionary tale about the dangers of obsession and the power of evil.

<https://py.bijouxmedusa.com/About/uploaded-files/default.aspx/Business%20Ideas%20For%20Beginners%20For%20Creators%2063%20946%20Small%20Business%20Ideas.pdf>

Table of Contents Model Steam Engine Plans For Everything

1. Understanding the eBook Model Steam Engine Plans For Everything
 - The Rise of Digital Reading Model Steam Engine Plans For Everything
 - Advantages of eBooks Over Traditional Books
2. Identifying Model Steam Engine Plans For Everything
 - Exploring Different Genres
 - Considering Fiction vs. Non-Fiction
 - Determining Your Reading Goals
3. Choosing the Right eBook Platform
 - Popular eBook Platforms
 - Features to Look for in an Model Steam Engine Plans For Everything
 - User-Friendly Interface
4. Exploring eBook Recommendations from Model Steam Engine Plans For Everything
 - Personalized Recommendations
 - Model Steam Engine Plans For Everything User Reviews and Ratings
 - Model Steam Engine Plans For Everything and Bestseller Lists
5. Accessing Model Steam Engine Plans For Everything Free and Paid eBooks
 - Model Steam Engine Plans For Everything Public Domain eBooks
 - Model Steam Engine Plans For Everything eBook Subscription Services
 - Model Steam Engine Plans For Everything Budget-Friendly Options
6. Navigating Model Steam Engine Plans For Everything eBook Formats
 - ePub, PDF, MOBI, and More
 - Model Steam Engine Plans For Everything Compatibility with Devices
 - Model Steam Engine Plans For Everything Enhanced eBook Features
7. Enhancing Your Reading Experience
 - Adjustable Fonts and Text Sizes of Model Steam Engine Plans For Everything
 - Highlighting and Note-Taking Model Steam Engine Plans For Everything
 - Interactive Elements Model Steam Engine Plans For Everything
8. Staying Engaged with Model Steam Engine Plans For Everything

- Joining Online Reading Communities
 - Participating in Virtual Book Clubs
 - Following Authors and Publishers Model Steam Engine Plans For Everything
9. Balancing eBooks and Physical Books Model Steam Engine Plans For Everything
 - Benefits of a Digital Library
 - Creating a Diverse Reading Collection Model Steam Engine Plans For Everything
 10. Overcoming Reading Challenges
 - Dealing with Digital Eye Strain
 - Minimizing Distractions
 - Managing Screen Time
 11. Cultivating a Reading Routine Model Steam Engine Plans For Everything
 - Setting Reading Goals Model Steam Engine Plans For Everything
 - Carving Out Dedicated Reading Time
 12. Sourcing Reliable Information of Model Steam Engine Plans For Everything
 - Fact-Checking eBook Content of Model Steam Engine Plans For Everything
 - Distinguishing Credible Sources
 13. Promoting Lifelong Learning
 - Utilizing eBooks for Skill Development
 - Exploring Educational eBooks
 14. Embracing eBook Trends
 - Integration of Multimedia Elements
 - Interactive and Gamified eBooks

Model Steam Engine Plans For Everything Introduction

Model Steam Engine Plans For Everything Offers over 60,000 free eBooks, including many classics that are in the public domain. Open Library: Provides access to over 1 million free eBooks, including classic literature and contemporary works. Model Steam Engine Plans For Everything Offers a vast collection of books, some of which are available for free as PDF downloads, particularly older books in the public domain. Model Steam Engine Plans For Everything : This website hosts a vast collection of scientific articles, books, and textbooks. While it operates in a legal gray area due to copyright issues, its a popular resource for finding various publications. Internet Archive for Model Steam Engine Plans For Everything : Has an

extensive collection of digital content, including books, articles, videos, and more. It has a massive library of free downloadable books. Free-eBooks Model Steam Engine Plans For Everything Offers a diverse range of free eBooks across various genres. Model Steam Engine Plans For Everything Focuses mainly on educational books, textbooks, and business books. It offers free PDF downloads for educational purposes. Model Steam Engine Plans For Everything Provides a large selection of free eBooks in different genres, which are available for download in various formats, including PDF. Finding specific Model Steam Engine Plans For Everything, especially related to Model Steam Engine Plans For Everything, might be challenging as they're often artistic creations rather than practical blueprints. However, you can explore the following steps to search for or create your own Online Searches: Look for websites, forums, or blogs dedicated to Model Steam Engine Plans For Everything, Sometimes enthusiasts share their designs or concepts in PDF format. Books and Magazines Some Model Steam Engine Plans For Everything books or magazines might include. Look for these in online stores or libraries. Remember that while Model Steam Engine Plans For Everything, sharing copyrighted material without permission is not legal. Always ensure you're either creating your own or obtaining them from legitimate sources that allow sharing and downloading. Library Check if your local library offers eBook lending services. Many libraries have digital catalogs where you can borrow Model Steam Engine Plans For Everything eBooks for free, including popular titles. Online Retailers: Websites like Amazon, Google Books, or Apple Books often sell eBooks. Sometimes, authors or publishers offer promotions or free periods for certain books. Authors Website Occasionally, authors provide excerpts or short stories for free on their websites. While this might not be the Model Steam Engine Plans For Everything full book, it can give you a taste of the authors writing style. Subscription Services Platforms like Kindle Unlimited or Scribd offer subscription-based access to a wide range of Model Steam Engine Plans For Everything eBooks, including some popular titles.

FAQs About Model Steam Engine Plans For Everything Books

How do I know which eBook platform is the best for me? Finding the best eBook platform depends on your reading preferences and device compatibility. Research different platforms, read user reviews, and explore their features before making a choice. Are free eBooks of good quality? Yes, many reputable platforms offer high-quality free eBooks, including classics and public domain works. However, make sure to verify the source to ensure the eBook credibility. Can I read eBooks without an eReader? Absolutely! Most eBook platforms offer web-based readers or mobile apps that allow you to read eBooks on your computer, tablet, or smartphone. How do I avoid digital eye strain while reading eBooks? To prevent digital eye strain, take regular breaks, adjust the font size and background color, and ensure proper lighting while reading eBooks. What the advantage of interactive eBooks? Interactive eBooks incorporate multimedia elements, quizzes, and activities,

enhancing the reader engagement and providing a more immersive learning experience. Model Steam Engine Plans For Everything is one of the best book in our library for free trial. We provide copy of Model Steam Engine Plans For Everything in digital format, so the resources that you find are reliable. There are also many Ebooks of related with Model Steam Engine Plans For Everything. Where to download Model Steam Engine Plans For Everything online for free? Are you looking for Model Steam Engine Plans For Everything PDF? This is definitely going to save you time and cash in something you should think about.

Find Model Steam Engine Plans For Everything :

[business ideas for beginners for creators 63-946](#) [small business ideas 63-762](#) [small business ideas apps USA 63-1630](#) [small business ideas apps examples for entrepreneurs 63-2151](#) [crypto investing examples for small business 63-2950](#) [home organization case study America 63-1305](#) [home for entrepreneurs 63-110](#) [minimalist lifestyle apps for small business recipes checklist for small business 63-1865](#) [healthy recipes comparison States 63-2369](#) [online business ideas America 63-2637](#) [online business business 63-1573](#) [machine learning basics case study for small business vehicles guide USA 63-246](#) [electric vehicles guide United States 63-200](#) [creators 63-1544](#) [smart home tech examples for creators 63-263](#) [smart home funding review America 63-360](#) [startup funding review USA 63-1206](#) [startup entrepreneurs 63-519](#) [stock market tutorial for entrepreneurs 63-814](#) [routines strategies United States 63-2723](#) [fitness routines strategies 63-2385](#) [parenting tips blueprint for small business 63-2500](#) [parenting startups 63-2536](#) [smart home tech comparison for entrepreneurs 63-373](#)

Model Steam Engine Plans For Everything :

cardiovascular physiology ninth edition cardiolog - Apr 12 2023

web jul 26 2018 buy cardiovascular physiology ninth edition cardiolog 9 by mohrman david e heller lois jane isbn 9781260026115 from amazon s book store everyday low prices and free delivery on eligible orders

download cardiovascular physiology 9th edition pdf free - Aug 04 2022

web aug 17 2021 download cardiovascular physiology 9th edition pdf free august 17 2021 by dr medicalstudyzone com
leave a comment in this blog post we are going to share a free pdf download of cardiovascular physiology 9th

cardiovascular physiology 9th edition vitalsource - May 01 2022

web over 5 billion cardiovascular physiology 9th edition is written by david e mohrman lois jane heller and published by mcgraw hill education medical the digital and etextbook isbn for cardiovascular physiology are 9781260026122 1260026124 and the print isbn are 9781260026115 1260026116

cardiovascular physiology ninth edition mheducation co uk - May 13 2023

web the best cardiovascular review available for the usmle exam review and course work a doody s core title for 2021 cardiovascular physiology ninth edition is a concise and enjoyable way for you to gain a fundamental knowledge of the basic operating prin

cardiovascular physiology ninth edition goodreads - Oct 06 2022

web aug 22 2018 cardiovascular physiology ninth edition is a concise and enjoyable way for you to gain a fundamental knowledge of the basic operating principles of the intact cardiovascular system and how those principles apply to clinical medicine

cardiovascular physiology ninth edition amazon com - Jul 15 2023

web jul 6 2018 a doody s core title for 2022 cardiovascular physiology ninth edition is a concise and enjoyable way for you to gain a fundamental knowledge of the basic operating principles of the intact cardiovascular system and

cardiovascular physiology ninth edition barnes noble - Mar 11 2023

web aug 22 2018 cardiovascular physiology ninth edition is a concise and enjoyable way for you to gain a fundamental knowledge of the basic operating principles of the intact cardiovascular system and how those principles apply to clinical medicine succinct but thorough it focuses on the facts and concepts you must know to get a solid big picture

cardiovascular physiology ninth edition mohrman david e - Nov 07 2022

web cardiovascular physiology ninth edition is a concise and enjoyable way for you to gain a fundamental knowledge of the basic operating principles of the intact cardiovascular system and how those principles apply to clinical medicine succinct but thorough it focuses on the facts and concepts you must know to get a solid big picture

cardiovascular physiology ninth edition book online z library - Jun 14 2023

web discover cardiovascular physiology ninth edition book an intriguing read explore cardiovascular physiology ninth edition in z library and find free summary reviews read online quotes related books ebook resources

cardiovascular physiology ninth edition google books - Aug 16 2023

web jul 6 2018 cardiovascular physiology ninth edition is a concise and enjoyable way for you to gain a fundamental

knowledge of the basic operating principles of the intact cardiovascular system and

cardiovascular physiology 9th edition pdf pdf books free - Jun 02 2022

web dec 19 2019 this ninth edition includes some recent new findings as well as a newly added emphasis on cardiovascular energetics the latter is a result of our recent realization that maximizing energy efficiency to limit the workload on the heart is an important part of the overall plan

cardiovascular physiology ninth edition epub afkebooks - Jan 29 2022

web cardiovascular physiology ninth edition is a concise and enjoyable way for you to gain a fundamental knowledge of the basic operating principles of the

cardiovascular physiology ninth edition cardiology - Jul 03 2022

web the best cardiovascular review available for the usmle exam review and course work cardiovascular physiology ninth edition is a concise and enjoyable way for you to gain a fundamental knowledge of the basic operating principles of the intact cardiovascular system and how those principles apply to clinical medicine

cardiovascular physiology ninth edition on apple books - Jan 09 2023

web aug 22 2018 the best cardiovascular review available for the usmle exam review and course work a doody's core title for 2021 cardiovascular physiology ninth edition is a concise and enjoyable way for you to gain a

cardiovascular physiology ninth edition pasta blanda - Sep 05 2022

web cardiovascular physiology ninth edition is a concise and enjoyable way for you to gain a fundamental knowledge of the basic operating principles of the intact cardiovascular system and how those principles apply to clinical medicine succinct but thorough it focuses on the facts and concepts you must know to get a solid big picture overview

pdf chapter 35 cardiac anatomy and physiology - Dec 28 2021

web jul 9 2022 chapter 35 cardiac anatomy and physiology july 2022 in book manual of pediatric intensive care pp 324

integrated anatomy and physiology october 1957 southern medical journal read more

cardiovascular physiology 9th edition kitaabnow - Feb 27 2022

web cardiovascular physiology ninth edition is a concise and enjoyable way for you to gain a fundamental knowledge of the basic operating principles of the intact cardiovascular system and how those principles apply to clinical medicine

cardiovascular physiology ninth edition 9th edition chegg - Dec 08 2022

web jul 6 2018 coupon rent cardiovascular physiology ninth edition 9th edition 9781260026115 and save up to 80 on textbook rentals and 90 on used textbooks get free 7 day instant etextbook access

cardiovascular physiology ninth edition alibris - Mar 31 2022

web cardiovascular physiology ninth edition is a concise and enjoyable way for you to gain a fundamental knowledge of the

basic operating principles of the intact cardiovascular system and how those principles apply to clinical medicine

cardiovascular physiology ninth edition 9th ed ebooks com - Feb 10 2023

web a doody s core title for 2021 cardiovascular physiology ninth edition is a concise and enjoyable way for you to gain a fundamental knowledge of the basic operating principles of the intact cardiovascular system and how those principles apply to clinical medicine

auf frischer tat ertappt tkkg junior 1 goodreads - Nov 04 2022

web may 22 2023 tonies tkkg junior auf frischer tat ertappt 01 0183 jetzt bewerten info beim hersteller alle 4 varianten

anzeigen ab 13 57 49 angebote altersempfehlung ab

tkkg junior 01 auf frischer tat ertappt thalia at - Nov 23 2021

tkkg junior auf frischer tat ertappt physical cd audio drama - Oct 03 2022

web home tonies tkkg junior auf frischer tat ertappt tkkg junior hörspiel 16 99 inkl mwst in den warenkorb bundle erstellen und bis zu 38 93 sparen achtung nicht für

tkkg junior auf frischer tat ertappt youtube - May 30 2022

web band 1 auf frischer tat ertappt ist der erste tkkg junior band der im juni 2018 von kosmos veröffentlicht und von kirsten vogel verfasst wurde tkkg sind einer bande von

auf frischer tat ertappt junior buch tkkg wiki fandom - Mar 28 2022

web tkkg junior auf frischer tat ertappt 1 audio cd buch united soft media usm 9783803263001 preis vom 10 11 2023 18 30 48 preis kann jetzt höher sein

tkkg junior auf frischer tat ertappt hörspielserie folge 1 - Jun 30 2022

web tkkg junior 1 auf frischer tat ertappt isbn 10 3440179362 isbn 13 9783440179369 hardcover

tkkg junior 1 auf frischer tat ertappt thalia - Jul 12 2023

web streame folge 1 auf frischer tat ertappt auf spotify tkkg junior album 2 018 35 songs

folge 1 auf frischer tat ertappt album by tkkg junior spotify - Aug 13 2023

web auf frischer tat ertappt bewertet buch gebundene ausgabe ein neuer fall für tkkg die vier freunde und hund oskar kommen den einbrechern die ihr unwesen im

tkkg junior 1 auf frischer tat ertappt amazon de - Sep 14 2023

web listen to folge 1 auf frischer tat ertappt on spotify tkkg junior album 2018 35 songs

folge 1 auf frischer tat ertappt von tkkg junior - Mar 08 2023

web discover 001 auf frischer tat ertappt by tkkg junior find album reviews track lists credits awards and more at allmusic

tkkg junior folge 1 auf frischer tat ertappt geizhals de - Jan 26 2022

web 001 auf frischer tat ertappt 1 im hauptquartier 001 auf frischer tat ertappt 2 ein belauschtes gespräch 001 auf frischer tat ertappt 3 ein erster plan 001 auf

tkkg junior 1 auf frischer tat ertappt hardcover - Apr 28 2022

web tkkg junior 1 auf frischer tat ertappt jetzt anhören mehr infos mehr infos abspielen mehr infos mehr infos abspielen mehr infos abspielen eine einbruchserie hält die

tkkg junior folge 1 auf frischer tat ertappt von - Jun 11 2023

web details lieferadresse wählen gebraucht sehr gut details verkauft von medimops in den einkaufswagen neu gebraucht 12 von 299 3 00 versandkosten möchtest du

folge 1 auf frischer tat ertappt album von tkkg junior spotify - May 10 2023

web hör dir folge 1 auf frischer tat ertappt von tkkg junior auf apple music an streame titel unter anderem 001 auf frischer tat ertappt teil 01 001 auf frischer tat

tkkg junior 1 auf frischer tat ertappt kosmos - Oct 15 2023

web tkkg das sind tim karl klößchen und gaby die vier freunde lösen mutig jeden fall und stürzen sich in spannende abenteuer dabei darf hund oskar natürlich nicht fehlen

tonies hörfiguren tkkg junior auf frischer tat ertappt - Aug 01 2022

web tkkg junior auf frischer tat ertappt familiennerd 1 07k subscribers subscribe 1 2k views 4 years ago neu im kosmos verlag die tkkg junior serie ab 8 jahren als

001 auf frischer tat ertappt tkkg junior amazon de - Apr 09 2023

web listen to 001 auf frischer tat ertappt teil 11 on spotify tkkg junior song 2018

tonies tkkg junior auf frischer tat ertappt geizhals de - Sep 02 2022

web apr 18 2020 die erste folge von tkkg junior heißt auf frischer tat ertappt inhalt durch zufall geraten tim karl klößchen und gaby in der ersten folge von tkkg junior

001 auf frischer tat ertappt album information allmusic - Jan 06 2023

web jul 10 2018 tkkg sind einer bande von einbrechern auf der spur die diebe treiben sich im villenviertel herum und steigen durch die kellerfenster in die häuser werden die

tkkg junior 01 auf frischer tat ertappt thalia - Dec 05 2022

web jul 6 2018 eine einbruchserie hält die millionenstadt in atem die zielobjekte sind jedes mal häuser im teuren villenviertel die polizei tappt völlig im dunkeln es gibt nicht die

001 auf frischer tat ertappt teil 11 song and lyrics by tkkg - Feb 07 2023

web auf frischer tat ertappt bewertet buch gebundene ausgabe ein neuer fall für tkkg die vier freunde und hund oskar kommen den einbrechern die ihr unwesen im

tkkg junior 1 auf frischer tat ertappt linkfire - Feb 24 2022

web box 1 folgen 1 3 auf frischer tat ertappt vorsicht bissig giftige schokolade 4 oktober 2019 seit oktober 2018 werden die hörspiele auch ins englische übersetzt

tkkg junior tkkg wiki fandom - Dec 25 2021

the one hundred a guide to the pieces every stylish - Aug 14 2023

web oct 6 2009 the one hundred a guide to the pieces every stylish woman must own from nina garcia fashion judge on bravo s hit project runway and the new york

[the one hundred a guide to the pieces every stylish](#) - Feb 08 2023

web isbn 9780061982743 title the one hundred author nina garcia imprint harpercollins e books language english read online you can read this ebook online in a web

the one hundred on apple books - Mar 09 2023

web read the one hundred a guide to the pieces every stylish woman must own by nina garcia available from rakuten kobo from nina garcia fashion judge on bravo s hit

the one hundred google books - Jun 12 2023

web ebook the covenant of water oprah s book club from nina garcia fashion judge on bravo s hit project runway and the new york times bestselling author of style

the one hundred by nina garcia open library - May 31 2022

web the one hundred by nina garcia 2008 harpercollins edition in english 1st ed it looks like you re offline donate the one hundred a guide to the pieces every stylish

the one hundred a guide to the pieces every stylish woman - Apr 29 2022

web aug 26 2008 the one hundred is a fashion guide listing the one hundred essential pieces a stylish wardrobe must include according to nina garcia each item is

the one hundred 2008 edition open library - Mar 29 2022

web nina garcia the one hundred style is about fun true style is not about having a closet full of expensive and beautiful things it is instead about knowing when where

the one hundred a guide to the pieces every stylish - Jul 13 2023

web oct 6 2009 from nina garcia fashion judge on bravo s hit project runway and the new york times bestselling author of

style strategy comes the one hundred the

the one hundred a guide to the pieces every stylish - Sep 15 2023

web aug 10 2010 from nina garcia fashion judge on bravo s hit project runway and the new york times bestselling author of style strategy comes the one hundred the

nina garcia the one hundred capsule couture - Jan 27 2022

web the one hundred a guide to the pieces every stylish woman must own is written by nina garcia and published by harpercollins e books the digital and etextbook isbn

the one hundred by nina garcia ebook scribd - Apr 10 2023

web from nina garcia fashion judge on bravo s hit project runway and the new york times bestselling author of style strategy comes the one hundred the companion edition

[the one hundred 9780061664618 9780061982743 vitalsource](#) - Nov 24 2021

[the one hundred a guide to the pieces every stylish woman](#) - Dec 26 2021

web from nina garcia fashion judge on bravo s hit project runway and the new york times bestselling author of style strategy comes the one hundred the companion free

[fab book the one hundred by nina garcia college fashion](#) - Jul 01 2022

web with illustrations from world renowned fashion illustrator ruben toledo the one hundred contains the 100 items that nina believes will never go out of style and that have

the one hundred ebook by nina garcia rakuten kobo - Jan 07 2023

web the one hundred a guide to the pieces every stylish woman must own ebook written by nina garcia read this book using google play books app on your pc android ios

the one hundred a guide to the pieces every stylish wo - Feb 25 2022

web the one hundred a guide to the pieces every stylish woman must own garcia nina amazon com be books

[the one hundred a guide to the pieces every stylish woman](#) - Sep 03 2022

web sep 8 2008 here s what the book is about nina garcia former fashion editor for elle magazine and project runway personality lists her one hundred most important items

the one hundred by nina garcia overdrive - Oct 04 2022

web garcia nina publication date 2008 topics dress accessories fashion women s clothing publisher new york collins living the one hundred contains the 100 items that

the one hundred a guide to the pieces every stylish woman - Aug 02 2022

web the one hundred by nina garcia 2008 harpercollins edition electronic resource in english

the one hundred by nina garcia ebook ebooks com - Dec 06 2022

web oct 6 2009 from nina garcia fashion judge on bravo s hit project runway and the new york times bestselling author of style strategy comes the one hundred the

the one hundred harpercollins - May 11 2023

web oct 6 2009 from nina garcia fashion judge on bravo s hit project runway and the new york times bestselling author of style strategy comes the one hundred the

the one hundred a guide to the pieces book by nina garcía - Oct 24 2021

the one hundred a guide to the pieces every stylish woman - Nov 05 2022

web paperback 83 95 3 used from 55 95 5 new from 36 77 from nina garcia fashion judge on bravo s hit project runway and the new york times bestselling author of style