

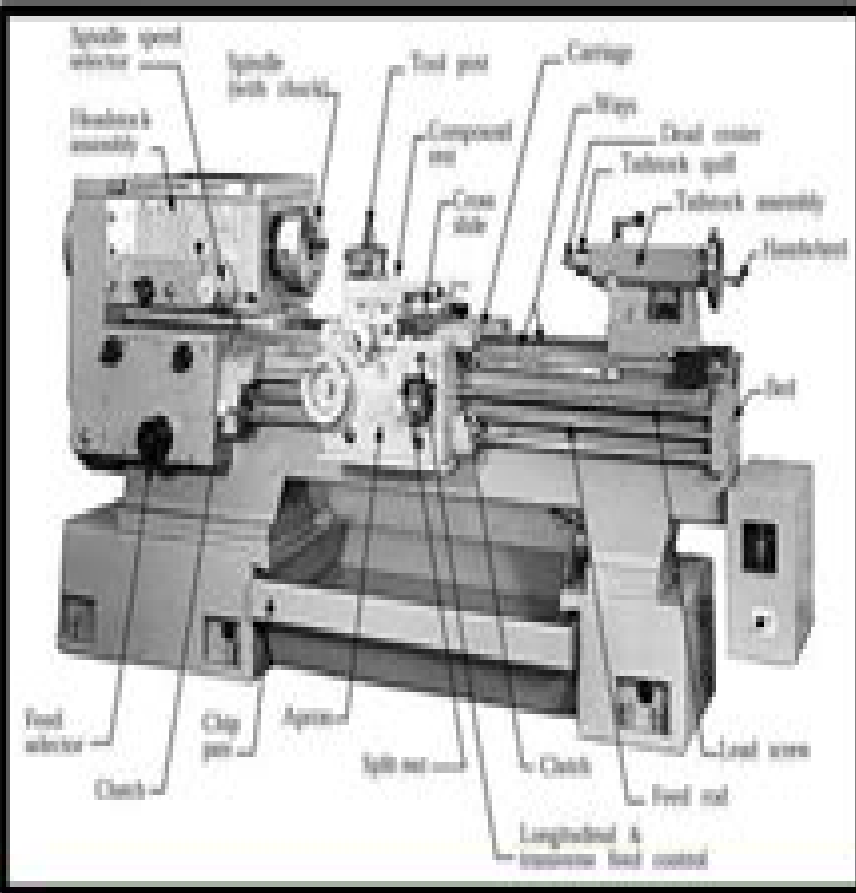
LATHE MACHINE SPECIAL MCQ

SUB-LATHE PARTS

Top 20 MCQ

Class- 01

BARC || ISRO || NFC || NPCIL



जो Questions हर बार Exam में आता है

Objective Questions Answers In Lathe Machine

**Henry Lester Smith, Wendell William
Wright**

Objective Questions Answers In Lathe Machine:

Immerse yourself in the artistry of words with Experience Art with its expressive creation, Discover the Artistry of **Objective Questions Answers In Lathe Machine** . This ebook, presented in a PDF format (*), is a masterpiece that goes beyond conventional storytelling. Indulge your senses in prose, poetry, and knowledge. Download now to let the beauty of literature and artistry envelop your mind in a unique and expressive way.

https://py.bijouxmedusa.com/book/Resources/index.jsp/Bca_3rd_Sem_Data_Structure_2013_Question_Paper_Bangalore.pdf

Table of Contents Objective Questions Answers In Lathe Machine

1. Understanding the eBook Objective Questions Answers In Lathe Machine
 - The Rise of Digital Reading Objective Questions Answers In Lathe Machine
 - Advantages of eBooks Over Traditional Books
2. Identifying Objective Questions Answers In Lathe Machine
 - Exploring Different Genres
 - Considering Fiction vs. Non-Fiction
 - Determining Your Reading Goals
3. Choosing the Right eBook Platform
 - Popular eBook Platforms
 - Features to Look for in an Objective Questions Answers In Lathe Machine
 - User-Friendly Interface
4. Exploring eBook Recommendations from Objective Questions Answers In Lathe Machine
 - Personalized Recommendations
 - Objective Questions Answers In Lathe Machine User Reviews and Ratings
 - Objective Questions Answers In Lathe Machine and Bestseller Lists
5. Accessing Objective Questions Answers In Lathe Machine Free and Paid eBooks
 - Objective Questions Answers In Lathe Machine Public Domain eBooks
 - Objective Questions Answers In Lathe Machine eBook Subscription Services
 - Objective Questions Answers In Lathe Machine Budget-Friendly Options

6. Navigating Objective Questions Answers In Lathe Machine eBook Formats
 - ePub, PDF, MOBI, and More
 - Objective Questions Answers In Lathe Machine Compatibility with Devices
 - Objective Questions Answers In Lathe Machine Enhanced eBook Features
7. Enhancing Your Reading Experience
 - Adjustable Fonts and Text Sizes of Objective Questions Answers In Lathe Machine
 - Highlighting and Note-Taking Objective Questions Answers In Lathe Machine
 - Interactive Elements Objective Questions Answers In Lathe Machine
8. Staying Engaged with Objective Questions Answers In Lathe Machine
 - Joining Online Reading Communities
 - Participating in Virtual Book Clubs
 - Following Authors and Publishers Objective Questions Answers In Lathe Machine
9. Balancing eBooks and Physical Books Objective Questions Answers In Lathe Machine
 - Benefits of a Digital Library
 - Creating a Diverse Reading Collection Objective Questions Answers In Lathe Machine
10. Overcoming Reading Challenges
 - Dealing with Digital Eye Strain
 - Minimizing Distractions
 - Managing Screen Time
11. Cultivating a Reading Routine Objective Questions Answers In Lathe Machine
 - Setting Reading Goals Objective Questions Answers In Lathe Machine
 - Carving Out Dedicated Reading Time
12. Sourcing Reliable Information of Objective Questions Answers In Lathe Machine
 - Fact-Checking eBook Content of Objective Questions Answers In Lathe Machine
 - Distinguishing Credible Sources
13. Promoting Lifelong Learning
 - Utilizing eBooks for Skill Development
 - Exploring Educational eBooks
14. Embracing eBook Trends
 - Integration of Multimedia Elements

- Interactive and Gamified eBooks

Objective Questions Answers In Lathe Machine Introduction

In the digital age, access to information has become easier than ever before. The ability to download Objective Questions Answers In Lathe Machine has revolutionized the way we consume written content. Whether you are a student looking for course material, an avid reader searching for your next favorite book, or a professional seeking research papers, the option to download Objective Questions Answers In Lathe Machine has opened up a world of possibilities. Downloading Objective Questions Answers In Lathe Machine provides numerous advantages over physical copies of books and documents. Firstly, it is incredibly convenient. Gone are the days of carrying around heavy textbooks or bulky folders filled with papers. With the click of a button, you can gain immediate access to valuable resources on any device. This convenience allows for efficient studying, researching, and reading on the go. Moreover, the cost-effective nature of downloading Objective Questions Answers In Lathe Machine has democratized knowledge. Traditional books and academic journals can be expensive, making it difficult for individuals with limited financial resources to access information. By offering free PDF downloads, publishers and authors are enabling a wider audience to benefit from their work. This inclusivity promotes equal opportunities for learning and personal growth. There are numerous websites and platforms where individuals can download Objective Questions Answers In Lathe Machine. These websites range from academic databases offering research papers and journals to online libraries with an expansive collection of books from various genres. Many authors and publishers also upload their work to specific websites, granting readers access to their content without any charge. These platforms not only provide access to existing literature but also serve as an excellent platform for undiscovered authors to share their work with the world. However, it is essential to be cautious while downloading Objective Questions Answers In Lathe Machine. Some websites may offer pirated or illegally obtained copies of copyrighted material. Engaging in such activities not only violates copyright laws but also undermines the efforts of authors, publishers, and researchers. To ensure ethical downloading, it is advisable to utilize reputable websites that prioritize the legal distribution of content. When downloading Objective Questions Answers In Lathe Machine, users should also consider the potential security risks associated with online platforms. Malicious actors may exploit vulnerabilities in unprotected websites to distribute malware or steal personal information. To protect themselves, individuals should ensure their devices have reliable antivirus software installed and validate the legitimacy of the websites they are downloading from. In conclusion, the ability to download Objective Questions Answers In Lathe Machine has transformed the way we access information. With the convenience, cost-effectiveness, and accessibility it offers, free PDF downloads have become a popular choice for students, researchers, and book lovers worldwide. However, it is crucial to engage in ethical downloading practices and prioritize personal security when utilizing online platforms. By doing

so, individuals can make the most of the vast array of free PDF resources available and embark on a journey of continuous learning and intellectual growth.

FAQs About Objective Questions Answers In Lathe Machine Books

What is a Objective Questions Answers In Lathe Machine PDF? A PDF (Portable Document Format) is a file format developed by Adobe that preserves the layout and formatting of a document, regardless of the software, hardware, or operating system used to view or print it. **How do I create a Objective Questions Answers In Lathe Machine PDF?** There are several ways to create a PDF: Use software like Adobe Acrobat, Microsoft Word, or Google Docs, which often have built-in PDF creation tools. Print to PDF: Many applications and operating systems have a "Print to PDF" option that allows you to save a document as a PDF file instead of printing it on paper. Online converters: There are various online tools that can convert different file types to PDF. **How do I edit a Objective Questions Answers In Lathe Machine PDF?** Editing a PDF can be done with software like Adobe Acrobat, which allows direct editing of text, images, and other elements within the PDF. Some free tools, like PDFescape or Smallpdf, also offer basic editing capabilities. **How do I convert a Objective Questions Answers In Lathe Machine PDF to another file format?** There are multiple ways to convert a PDF to another format: Use online converters like Smallpdf, Zamzar, or Adobe Acrobats export feature to convert PDFs to formats like Word, Excel, JPEG, etc. Software like Adobe Acrobat, Microsoft Word, or other PDF editors may have options to export or save PDFs in different formats. **How do I password-protect a Objective Questions Answers In Lathe Machine PDF?** Most PDF editing software allows you to add password protection. In Adobe Acrobat, for instance, you can go to "File" -> "Properties" -> "Security" to set a password to restrict access or editing capabilities. Are there any free alternatives to Adobe Acrobat for working with PDFs? Yes, there are many free alternatives for working with PDFs, such as: LibreOffice: Offers PDF editing features. PDFsam: Allows splitting, merging, and editing PDFs. Foxit Reader: Provides basic PDF viewing and editing capabilities. How do I compress a PDF file? You can use online tools like Smallpdf, ILovePDF, or desktop software like Adobe Acrobat to compress PDF files without significant quality loss. Compression reduces the file size, making it easier to share and download. Can I fill out forms in a PDF file? Yes, most PDF viewers/editors like Adobe Acrobat, Preview (on Mac), or various online tools allow you to fill out forms in PDF files by selecting text fields and entering information. Are there any restrictions when working with PDFs? Some PDFs might have restrictions set by their creator, such as password protection, editing restrictions, or print restrictions. Breaking these restrictions might require specific software or tools, which may or may not be legal depending on the circumstances and local laws.

Find Objective Questions Answers In Lathe Machine :

bca 3rd sem data structure 2013 question paper bangalore

bec preliminary practice test reading questions 1

basics of biblical greek workbook

bailouts and financial fragility federal reserve bank of
bank aptitude test questions and answers

bandler design human engineering

~~bharathiar university operation management mba first year~~

being the boss the imperatives for becoming a great leader

beckers real food healthy dogs

bible quizzes and answers

barby silenzi se desnuda para la tapa de la revista h

basic patterns of chinese grammar a students to correct structures and common errors

bank security and other credit enhancement methods a practical on security devices available to banks in thirty countries throughout the world

belajar hacking dengan kali linux

baxi luna 1 240 fi service manual

Objective Questions Answers In Lathe Machine :

un cœur simple gustave flaubert texte intégral atramenta - May 14 2022

web apr 1 2018 an illustration of a horizontal line over an up pointing arrow upload an illustration of a person s head and

chest an illustration of a computer application window

a simple heart study guide sparknotes - Nov 20 2022

web may 1 2022 by gustave flaubert from the book for half a century the housewives of pont l eveque had envied madame aubain her servant felicite for a hundred francs a

a simple heart encyclopedia com - Jan 22 2023

web a simple heart is a classic novella by french writer gustave flaubert first published in his novella collection three tales in 1877 the story centres around a servant girl named

un cœur simple wikipédia - Mar 24 2023

web a simple heart un coeur simple by french writer gustave flaubert is one of the stories in his three tales trois coxites published in 1877 it received admiring

un coeur simple 1877 texte intégral archive org - Jun 15 2022

web un coeur simple une étude sociologique bien ficelée au travers des péripéties de la vie de félicité gustave flaubert tient à dépeindre une société où la beauté d'une personne

livre audio un coeur simple gustave flaubert youtube - Jan 10 2022

web le moment dit l'amoureux n'est pas au rendez-vous et elle apprend qu'il s'est marié avec une riche vieille fille afin de payer un homme pour assurer sa conscription à sa place

a simple heart by gustave flaubert plot summary litcharts - Dec 21 2022

web oct 31 2013 gustave flaubert flaubert un coeur simple au fil des lectures victoria au fil des lectures livre audio gratuit audio livre gratuit livres audio gratuits audio livres

un coeur simple by flaubert gustave goodreads - Apr 25 2023

web oct 7 2008 un coeur simple language french loc class pq language and literatures romance literatures french italian spanish portuguese subject women

trois contes flaubert un coeur simple wikisource - Jun 27 2023

web a simple heart un coeur simple by gustave flaubert 1877 a simple heart un coeur simple is by far the best known and most often reprinted of the trio of stories

[un coeur simple gustave flaubert kitapstore.com](#) - Nov 08 2021

web sep 29 2023 retour à l'accueil l'info en continu au coeur de la course à l'ia les puces de nvidia suscitent la convoitise des start up washington afp dix mois après le

[un coeur simple film 2008 wikipédia](#) - Dec 09 2021

web chapitre 1 d'un coeur simple résumé félicité est une servante au coeur simple travaillant au service de madame aubain une veuve aux revenus modestes mais pas si

un coeur simple gustave flaubert free download borrow - Oct 19 2022

web jun 25 2014 we'll come back to them some other time but for now i'd like to recommend a more modest way in to discover realist literature flaubert's short story un coeur

au coeur de la course à l'ia les puces de nvidia suscitent la - Sep 06 2021

un coeur simple résumé je te résume - Oct 07 2021

web 1 day ago barcelona have scored eight goals in the last 15 minutes of the second half more than any other team in la

liga this season 79 mins barcelona 1 0 sevilla

gustave flaubert un coeur simple archive org - Mar 12 2022

web jan 13 2013 un coeur simple est une oeuvre réaliste et naturaliste qui décrit avec précision le milieu social et géographique de la normandie du xixe siècle flaubert s est

[un coeur simple by gustave flaubert project gutenberg](#) - Feb 23 2023

web félicité s parents died when she was a child and she was separated from her sisters after their deaths she is taken in by a farmer who neglects her beats her and accuses her

[analysis of gustave flaubert s stories literary theory and](#) - Feb 11 2022

web un cœur simple un cœur simple est un film dramatique français réalisé en 2008 par marion laine il s agit de l adaptation de la nouvelle homonyme de gustave flaubert

reading simplicity flaubert s un coeur simple jstor - Jul 16 2022

web mar 10 2011 un cœur simple catégorie contes légendes et fables date de publication sur atramenta 10 mars 2011 à 13h29 dernière modification 31 octobre 2014 à 9h51

[un coeur simple gustave flaubert babelio](#) - Jul 28 2023

web un cŒur simple i p endant un demi siècle les bourgeoises de pont l Évêque envient à m me aubain sa servante félicité

analyse d un coeur simple de gustave flaubert le petit lecteur - Apr 13 2022

web apr 22 2020 gustave flaubert s 12 december 1821 8 may 1880 three tales published during the year 1877 when he was fifty six years old reflects the variety of styles of his

un coeur simple by gustave flaubert open library - Sep 18 2022

web l histoire d un coeur simple est tout bonnement le récit d une vie obscure celle d une pauvre fille de campagne dévote mais mystique dévouée sans exaltation et tendre

[a simple heart un coeur simple by gustave flaubert 1877](#) - May 26 2023

web un cœur simple désigne un cœur simple la première nouvelle de gustave flaubert parue dans le livre trois contes publié en 1877 qui a inspiré à deux reprises des

barcelona vs sevilla live follow la liga text commentary and - Aug 05 2021

bookshelf book club un coeur simple a simple heart by - Aug 17 2022

web un coeur simple 1877 texte inte gral by flaubert gustave 1821 1880 publication date 2012 topics french fiction 19th century french language materials french fiction

three tales flaubert wikipedia - Aug 29 2023

web aug 26 2015 nouvelle 100 descriptive un coeur simple ne brille pas par son action le récit retrace la vie ordinaire de félicité fille de maçon au parcours semblable à bien

creative haven in full bloom coloring book creative haven coloring - Jul 07 2023

web specially designed for experienced colorists in full bloom and other creative haven adult coloring books offer an escape to a world of inspiration and artistic fulfillment each title is also an effective and fun filled way to relax and reduce stress previously published as in full bloom a close up coloring book mehr lesen lesealter 8 10 jahre

creative haven in full bloom coloring book goodreads - Feb 02 2023

web rate this book a beautiful premium cover design perfect for gift beautiful artwork and designs well crafted illustrations and designs that lay the groundwork for you to create your own frame worthy masterpieces high resolution printing

creative haven in full bloom coloring book open library - Sep 28 2022

web creative haven in full bloom coloring book by ruth soffer 4 00 1 rating 0 want to read 0 currently reading 1 have read

creative haven flower art coloring book deluxe edition 4 books - Jun 25 2022

web aug 21 2013 creative haven flower art coloring book deluxe edition 4 books in 1 creative haven coloring books

paperback august 21 2013 by dover author ming ju sun author susan bloomenstein author charlene tarbox author jessica mazurkiewicz author 2 more

creative haven coloring bks creative haven in full bloom coloring - May 25 2022

web item 6 creative haven in full bloom coloring book creative haven coloring books creative haven in full bloom coloring book creative haven coloring books 6 00 free shipping

creative haven in full bloom coloring book creative haven coloring - Sep 09 2023

web feb 20 2014 creative haven in full bloom coloring book creative haven coloring books soffer ruth creative haven on amazon com free shipping on qualifying offers

creative haven in full bloom coloring book paperback - Apr 04 2023

web apr 25 2014 buy creative haven in full bloom coloring book first edition first ed by soffer ruth isbn 9780486494531 from amazon s book store everyday low prices and free delivery on eligible orders

[creative haven in full bloom coloring book creative haven coloring](#) - Aug 28 2022

web creative haven in full bloom coloring book creative haven coloring books by soffer ruth creative haven isbn 10 0486494535 isbn 13 9780486494531 dover publications 2014 softcover

amazon com customer reviews creative haven in full bloom coloring - Mar 03 2023

web find helpful customer reviews and review ratings for creative haven in full bloom coloring book creative haven coloring books at amazon com read honest and unbiased product reviews from our users

amazon com creative haven coloring books - Feb 19 2022

web creative haven cozy christmas coloring book adult coloring books christmas part of adult coloring books christmas 28 books 4 7 out of 5 stars 420 paperback 3 39 3 39 list 6 99 6 99 free delivery fri nov 17 on 35 of items shipped by amazon more buying choices 1 44 27 used new offers

creative haven in full bloom coloring book goodreads - Jun 06 2023

web jan 22 2014 specially designed for experienced colorists in full bloom and other creative haven coloring books offer an escape to a world of inspiration and artistic fulfillment previously published as in full bloom a close up coloring book

creative haven in full bloom coloring book booktopia - Apr 23 2022

web feb 20 2014 booktopia has creative haven in full bloom coloring book creative haven by ruth soffer buy a discounted paperback of creative haven in full bloom coloring book online from australia s leading online bookstore

creative haven in full bloom coloring book creative haven coloring - Oct 30 2022

web abebooks com creative haven in full bloom coloring book creative haven coloring books used very good creative haven in full bloom coloring book creative haven coloring books by soffer ruth very good paperback 2014 1st edition the maryland book bank

creative haven in full bloom coloring book paperback - Nov 30 2022

web select the department you want to search in

creative haven in full bloom coloring book youtube - Mar 23 2022

web flip through video of the coloring book from creative haven called in full bloom by ruth soffer

creative haven coloring books for adults dover publications - Jul 27 2022

web we 8217 re celebrating a milestone anniversary it 8217 s been ten epic years since the debut of our creative haven 174 line of adult coloring books specifically designed for colorists looking for artistic fulfillment and a therapeutic refuge to escape the stress of daily life we released our first title in 2012 since then we 8217 ve published over 500 titles

creative haven in full bloom coloring book barnes noble - May 05 2023

web feb 20 2014 overview colorists and gardening enthusiasts will adore these magnified views thirty one accurate illustrations range from sunflowers and marigolds to birds of paradise and oriental lilies each design features lovingly detailed petals buds stalks and other minute details

creative haven in full bloom coloring book kağıt kapak - Oct 10 2023

web creative haven in full bloom coloring book gauthier zachry j amazon com tr kitap

creative haven in full bloom coloring book dover publications - Aug 08 2023

web product details colorists and gardening enthusiasts will adore these magnified views thirty one accurate illustrations

range from sunflowers and marigolds to birds of paradise and oriental lilies each design features lovingly

creative haven in full bloom coloring book abebooks - Jan 01 2023

web creative haven in full bloom coloring book by soffer ruth at abebooks co uk isbn 10 0486494535 isbn 13 9780486494531
dover children s 2014 softcover

uc3 line overview mettler toledo - Aug 06 2023

web the uc3 line combines highly developed weighing technology with open pc technology and interactive touchscreen
operation uc3 value line the entry into touchscreen

uc3 ct genel görünüm mettler toledo - Nov 16 2021

laboratory solutions from mettler toledo youtube - Mar 21 2022

web mettler toledo operating instructions me nbr 2200 5933 g version 1 10 06 05 11 mettler toledo operation cleaning
cleaning of print head switch off scale and

uc3 software mettler toledo - Sep 07 2023

web e kütüphane uc3 software datasheets uc3 software datasheets uc3 software Ürünler Çözümler laboratuvar terazileri
endüstriyel teraziler kantarlar perakende

uc3 ht Übersicht mettler toledo - Dec 18 2021

web flat compact scale with touchscreen operation

mettler toledo labgroup - Apr 21 2022

web learn about our broad portfolio of high performance laboratory instruments for applications such as academic research
pharma chemicals food and beverage and more connect

user manual mettler toledo uc3 english 168 pages - Jul 05 2023

web the mettler toledo uc3 is a weighing scale designed for precision and accuracy in a variety of applications it is known for
its reliable and durable performance making it a

mettler toledo uc3 user manual libble eu - Aug 26 2022

web uc3 software mettler toledo produkte lösungen branchen services support events expertise Über uns kontakte uc3
datasheet

mettler toledo uc3 operation manual manualshelf - Apr 02 2023

web uc3 dt mettler toledo uc3 dt manuals manuals and user guides for mettler toledo uc3 dt we have 1 mettler toledo uc3 dt
manual available for free pdf download

mettler toledo uc3 cddt user manual manualzz - May 03 2023

web mettler toledo contents operation code numbers 159 fixed code number 159 code number 1 data maintenance 160 code number 24681357 full access

[micro balanceretail scales point2vente](#) - Nov 28 2022

web manuals and user guides for mettler toledo uc 3 we have 1 mettler toledo uc 3 manual available for free pdf download service manual mettler toledo uc

[uc3 eu mettler toledo free download borrow and](#) - Sep 26 2022

web mettler toledo free download of your mettler toledo uc3 user manual still need help after reading the user manual post your question in our forums

[manual mettler toledo uc3 page 1 of 168 english libble eu](#) - Dec 30 2022

web mettler toledo sk 83103 bratislavaslovakia tel 02 4444 12 20 2 fax 02 4444 12 23 mettler toledo d o o si 1261 ljubljana dobruje tel 01 547 49 00 fax 01 542

[mettler toledo uc3 bedienungsanleitung pdf](#) - May 23 2022

web bu fırsati kaÇırmayın mettler toledo ÜrÜnlerinde Şok kampanya hassas laboratuvar cihazları üretimi alanında dünya çapında kalitesini ispat etmiş olan

[operating instructions shop scale uc3 be connected be](#) - Feb 17 2022

web view online 168 pages or download pdf 7 mb mettler toledo uc3 owner s manual uc3 cash registers pdf manual download and more mettler toledo online manuals

operating instructions mettler toledo - Oct 08 2023

web model uc3 c cdd htouch starting from serial number 2542655 to which this declaration relates is in conformity with the following standards and directives mettler

[endüstriyel laboratuvar perakende mettler toledo](#) - Jan 31 2023

web mettler toledo all mettler toledo manuals info this is a user manual of 168 pages with a size of 7 57 mb in the language english view and download the manual of mettler

mettler toledo uc3 ct user manual pdf - Jun 04 2023

web view online 170 pages or download pdf 1 mb mettler toledo uc3 cddt user manual uc3 cddt cash registers pdf manual download and more mettler toledo online

[mettler toledo uc3 owner manual manualzz](#) - Jan 19 2022

web vielseitig intuitiv einfach bedienbar eine waage die sofort freunde findet die thekenwaage uc3 ht aus der value line der uc3 modellreihe eröffnet ihnen den

[mettler toledo uc 3 manuals manualslib](#) - Oct 28 2022

web apr 11 2021 uc3 eu mettler toledo topics manualzilla manuals collection manuals contributions manuals additional collections addeddate 2021 04 11 16 50 16

uc3 software mettler toledo - Jul 25 2022

web we would like to show you a description here but the site won t allow us

mettler toledo uc3 dt manuals manualslib - Mar 01 2023

web all categories endüstriyel laboratuvar perakende uygulamaları için hassas tartım ve ölçüm aletlerinde dünya lideri Ürün servis ve çözümlerimizi hemen keşfedin

mettler toledo - Jun 23 2022

web ansicht und herunterladen mettler toledo uc3 bedienungsanleitung online 2542655 uc3 waagen pdf anleitung herunterladen