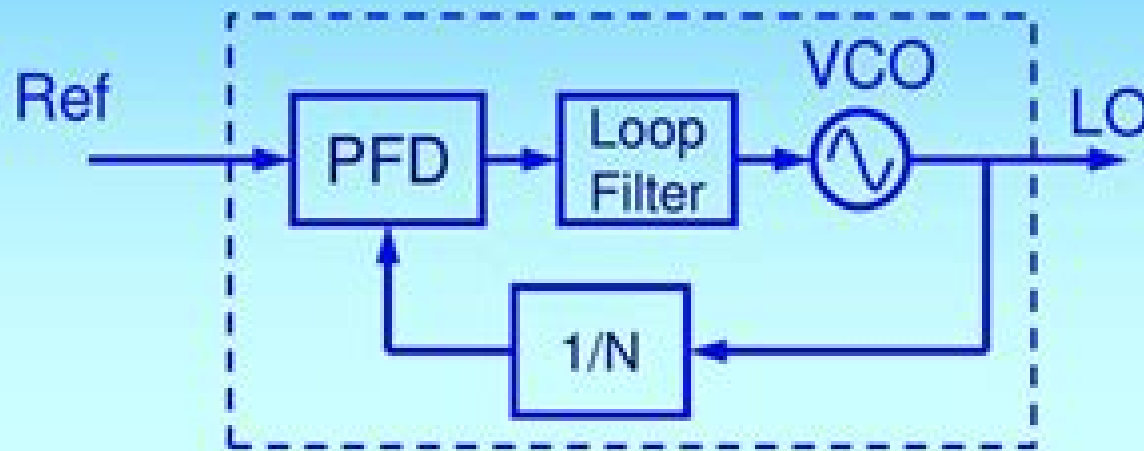


# Phase Locked Loops



$$f_{LO} = f_{ref} * N/M$$

Once locked,  $f_{ref} = f_{div}$   
But  $f_{div} = f_{LO} / N$   
Therefore,  $f_{LO} = N * f_{ref}$ .  
Smallest change in  $f_{LO}$  is  $f_{ref}$ .

For high tuning resolution, need very small  $f_{ref}$ .

# Phase Locked Loop Electrical Engineering Nmt

**Paul V. Brennan**



## **Phase Locked Loop Electrical Engineering Nmt:**

Thank you for reading **Phase Locked Loop Electrical Engineering Nmt**. Maybe you have knowledge that, people have look hundreds times for their chosen books like this Phase Locked Loop Electrical Engineering Nmt, but end up in malicious downloads.

Rather than reading a good book with a cup of coffee in the afternoon, instead they juggled with some harmful virus inside their laptop.

Phase Locked Loop Electrical Engineering Nmt is available in our book collection an online access to it is set as public so you can download it instantly.

Our books collection saves in multiple countries, allowing you to get the most less latency time to download any of our books like this one.

Merely said, the Phase Locked Loop Electrical Engineering Nmt is universally compatible with any devices to read

[https://py.bijouxmedusa.com/About/publication/default.aspx/Principles\\_Of\\_Marketing\\_By\\_Philip\\_Kotler\\_14th\\_Edition\\_Download.pdf](https://py.bijouxmedusa.com/About/publication/default.aspx/Principles_Of_Marketing_By_Philip_Kotler_14th_Edition_Download.pdf)

## **Table of Contents Phase Locked Loop Electrical Engineering Nmt**

1. Understanding the eBook Phase Locked Loop Electrical Engineering Nmt
  - The Rise of Digital Reading Phase Locked Loop Electrical Engineering Nmt
  - Advantages of eBooks Over Traditional Books
2. Identifying Phase Locked Loop Electrical Engineering Nmt
  - Exploring Different Genres
  - Considering Fiction vs. Non-Fiction
  - Determining Your Reading Goals
3. Choosing the Right eBook Platform
  - Popular eBook Platforms
  - Features to Look for in an Phase Locked Loop Electrical Engineering Nmt
  - User-Friendly Interface

4. Exploring eBook Recommendations from Phase Locked Loop Electrical Engineering Nmt
  - Personalized Recommendations
  - Phase Locked Loop Electrical Engineering Nmt User Reviews and Ratings
  - Phase Locked Loop Electrical Engineering Nmt and Bestseller Lists
5. Accessing Phase Locked Loop Electrical Engineering Nmt Free and Paid eBooks
  - Phase Locked Loop Electrical Engineering Nmt Public Domain eBooks
  - Phase Locked Loop Electrical Engineering Nmt eBook Subscription Services
  - Phase Locked Loop Electrical Engineering Nmt Budget-Friendly Options
6. Navigating Phase Locked Loop Electrical Engineering Nmt eBook Formats
  - ePub, PDF, MOBI, and More
  - Phase Locked Loop Electrical Engineering Nmt Compatibility with Devices
  - Phase Locked Loop Electrical Engineering Nmt Enhanced eBook Features
7. Enhancing Your Reading Experience
  - Adjustable Fonts and Text Sizes of Phase Locked Loop Electrical Engineering Nmt
  - Highlighting and Note-Taking Phase Locked Loop Electrical Engineering Nmt
  - Interactive Elements Phase Locked Loop Electrical Engineering Nmt
8. Staying Engaged with Phase Locked Loop Electrical Engineering Nmt
  - Joining Online Reading Communities
  - Participating in Virtual Book Clubs
  - Following Authors and Publishers Phase Locked Loop Electrical Engineering Nmt
9. Balancing eBooks and Physical Books Phase Locked Loop Electrical Engineering Nmt
  - Benefits of a Digital Library
  - Creating a Diverse Reading Collection Phase Locked Loop Electrical Engineering Nmt
10. Overcoming Reading Challenges
  - Dealing with Digital Eye Strain
  - Minimizing Distractions
  - Managing Screen Time
11. Cultivating a Reading Routine Phase Locked Loop Electrical Engineering Nmt
  - Setting Reading Goals Phase Locked Loop Electrical Engineering Nmt
  - Carving Out Dedicated Reading Time

12. Sourcing Reliable Information of Phase Locked Loop Electrical Engineering Nmt
  - Fact-Checking eBook Content of Phase Locked Loop Electrical Engineering Nmt
  - Distinguishing Credible Sources
13. Promoting Lifelong Learning
  - Utilizing eBooks for Skill Development
  - Exploring Educational eBooks
14. Embracing eBook Trends
  - Integration of Multimedia Elements
  - Interactive and Gamified eBooks

### **Phase Locked Loop Electrical Engineering Nmt Introduction**

Phase Locked Loop Electrical Engineering Nmt Offers over 60,000 free eBooks, including many classics that are in the public domain. Open Library: Provides access to over 1 million free eBooks, including classic literature and contemporary works. Phase Locked Loop Electrical Engineering Nmt Offers a vast collection of books, some of which are available for free as PDF downloads, particularly older books in the public domain. Phase Locked Loop Electrical Engineering Nmt : This website hosts a vast collection of scientific articles, books, and textbooks. While it operates in a legal gray area due to copyright issues, its a popular resource for finding various publications. Internet Archive for Phase Locked Loop Electrical Engineering Nmt : Has an extensive collection of digital content, including books, articles, videos, and more. It has a massive library of free downloadable books. Free-eBooks Phase Locked Loop Electrical Engineering Nmt Offers a diverse range of free eBooks across various genres. Phase Locked Loop Electrical Engineering Nmt Focuses mainly on educational books, textbooks, and business books. It offers free PDF downloads for educational purposes. Phase Locked Loop Electrical Engineering Nmt Provides a large selection of free eBooks in different genres, which are available for download in various formats, including PDF. Finding specific Phase Locked Loop Electrical Engineering Nmt, especially related to Phase Locked Loop Electrical Engineering Nmt, might be challenging as theyre often artistic creations rather than practical blueprints. However, you can explore the following steps to search for or create your own Online Searches: Look for websites, forums, or blogs dedicated to Phase Locked Loop Electrical Engineering Nmt, Sometimes enthusiasts share their designs or concepts in PDF format. Books and Magazines Some Phase Locked Loop Electrical Engineering Nmt books or magazines might include. Look for these in online stores or libraries. Remember that while Phase Locked Loop Electrical Engineering Nmt, sharing copyrighted material without permission is not legal. Always ensure youre either creating your own or obtaining them from legitimate sources that allow sharing and downloading. Library Check if your local library offers eBook lending services. Many libraries

have digital catalogs where you can borrow Phase Locked Loop Electrical Engineering Nmt eBooks for free, including popular titles. Online Retailers: Websites like Amazon, Google Books, or Apple Books often sell eBooks. Sometimes, authors or publishers offer promotions or free periods for certain books. Authors Website Occasionally, authors provide excerpts or short stories for free on their websites. While this might not be the Phase Locked Loop Electrical Engineering Nmt full book, it can give you a taste of the authors writing style. Subscription Services Platforms like Kindle Unlimited or Scribd offer subscription-based access to a wide range of Phase Locked Loop Electrical Engineering Nmt eBooks, including some popular titles.

### FAQs About Phase Locked Loop Electrical Engineering Nmt Books

1. Where can I buy Phase Locked Loop Electrical Engineering Nmt books? Bookstores: Physical bookstores like Barnes & Noble, Waterstones, and independent local stores. Online Retailers: Amazon, Book Depository, and various online bookstores offer a wide range of books in physical and digital formats.
2. What are the different book formats available? Hardcover: Sturdy and durable, usually more expensive. Paperback: Cheaper, lighter, and more portable than hardcovers. E-books: Digital books available for e-readers like Kindle or software like Apple Books, Kindle, and Google Play Books.
3. How do I choose a Phase Locked Loop Electrical Engineering Nmt book to read? Genres: Consider the genre you enjoy (fiction, non-fiction, mystery, sci-fi, etc.). Recommendations: Ask friends, join book clubs, or explore online reviews and recommendations. Author: If you like a particular author, you might enjoy more of their work.
4. How do I take care of Phase Locked Loop Electrical Engineering Nmt books? Storage: Keep them away from direct sunlight and in a dry environment. Handling: Avoid folding pages, use bookmarks, and handle them with clean hands. Cleaning: Gently dust the covers and pages occasionally.
5. Can I borrow books without buying them? Public Libraries: Local libraries offer a wide range of books for borrowing. Book Swaps: Community book exchanges or online platforms where people exchange books.
6. How can I track my reading progress or manage my book collection? Book Tracking Apps: Goodreads, LibraryThing, and Book Catalogue are popular apps for tracking your reading progress and managing book collections. Spreadsheets: You can create your own spreadsheet to track books read, ratings, and other details.
7. What are Phase Locked Loop Electrical Engineering Nmt audiobooks, and where can I find them? Audiobooks: Audio recordings of books, perfect for listening while commuting or multitasking. Platforms: Audible, LibriVox, and Google

- Play Books offer a wide selection of audiobooks.
8. How do I support authors or the book industry? Buy Books: Purchase books from authors or independent bookstores. Reviews: Leave reviews on platforms like Goodreads or Amazon. Promotion: Share your favorite books on social media or recommend them to friends.
  9. Are there book clubs or reading communities I can join? Local Clubs: Check for local book clubs in libraries or community centers. Online Communities: Platforms like Goodreads have virtual book clubs and discussion groups.
  10. Can I read Phase Locked Loop Electrical Engineering Nmt books for free? Public Domain Books: Many classic books are available for free as they're in the public domain. Free E-books: Some websites offer free e-books legally, like Project Gutenberg or Open Library.

### **Find Phase Locked Loop Electrical Engineering Nmt :**

~~principles of marketing by philip kotler 14th edition download~~

**promenades second edition answers**

principles of corporate finance brealey solutions manual

principles of exercise testing and interpretation including pathophysiology and clinical applications

**program evaluation an introduction to an evidence based approach**

principles of marketing student value edition 14th edition

*project 2 unit 1 test a*

**practical loss control leadership 3rd edition answer**

~~programming excel with vba and net~~

**project time and cost engineering**

principles of auditing and other assurance services 17th edition

~~prince of fools sebastian darke 1 philip caveney~~

preparacion de b2 gramatica y vocabulario nivel

prophet makandiwa

*principles of agricultural engineering vol 1 by a m michael and t p ojha*

### **Phase Locked Loop Electrical Engineering Nmt :**

waiting for godot act 2 samuel beckett - Nov 29 2022

web act 1 back to samuel beckett resources next day same time same place estragon s boots front center heels together toes splayed lucky s hat at same place the tree has four or five leaves enter vladimir agitatedly he halts and looks long at the tree then suddenly begins to move feverishly about the stage

*samuel beckett waiting for godot studenti it* - Aug 27 2022

web samuel beckett waiting for godot waiting for godot is one of the most influential theatrical works of the post war period vladimir and estragon two old men possibly tramps are caught in each of the two acts in an apparently endless waiting for a mysterious figure called godot while they wait they

waiting for godot full book summary sparknotes - Mar 22 2022

web summary full book summary two men vladimir and estragon meet near a tree they converse on various topics and reveal that they are waiting there for a man named godot while they wait two other men enter pozzo is on his way to the market to sell his slave lucky he pauses for a while to converse with vladimir and estragon

guide to the classics samuel beckett s waiting for godot a - May 04 2023

web jun 2 2021 beckett wrote waiting for godot between october 1948 and january 1949 it was his first play to reach the stage his first full playscript eleuthéria was written in 1947 but only published

**waiting for godot by samuel beckett english literature net** - Sep 08 2023

web waiting for godot is beckett s translation of his own original french version en attendant godot and is subtitled in english only a tragicomedy in two acts the original french text was composed between 9 october 1948 and 29 january 1949

waiting for godot saylor academy - Oct 09 2023

web samuel beckett estragon vladimir lucky pozzo a boy act i a country road a tree evening estragon sitting on a low mound is trying to take off his boot he pulls at it with both hands panting he gives up exhausted rests tries again as before enter vladimir estragon giving up again nothing to be done vladimir

**a summary and analysis of samuel beckett s waiting for godot** - Dec 31 2022

web jun 1 2021 indeed beckett considered waiting for godot a bad play but posterity has begged to differ and it is now viewed as perhaps the greatest english language play of the entire twentieth century before we offer an analysis of the play s meaning and structure here s a quick summary of its plot

*11 quotes from samuel beckett s waiting for godot thoughtco* - Apr 22 2022

web jul 9 2019 waiting for godot is a play by samuel beckett that premiered in france in january 1953 the play beckett s first explores the meaning and meaninglessness of life through its repetitive plot and dialogue waiting for godot is an enigmatic but very significant play in the absurdist tradition

**samuel beckett lucky s monologue genius** - Oct 29 2022

web the ironically named character lucky in samuel beckett s 1953 absurdist play waiting for godot is the servant or lackey of pozzo in this speech he is performing at the request of his master

[waiting for godot by samuel beckett plot summary litcharts](#) - Jun 24 2022

web estragon wants to leave but vladimir reminds him that they have to stay and wait for godot vladimir notices lucky s hat lying on the ground and tries it on he and estragon trade their hats and lucky s hat back and forth trying different ones on

**waiting for godot tragicomedy in 2 acts beckett samuel 1906** - Mar 02 2023

web this volume is an absurdist play in which two characters vladimir and estragon wait endlessly and in vain for the arrival of someone named godot they claim he s an acquaintance but in fact hardly know him admitting that they would not recognize him when they do see him

[waiting for godot by samuel beckett script archives catalogue](#) - May 24 2022

web file ms 3 23 box 11 folder 24 waiting for godot by samuel beckett script personal archives of david renton scripts waiting for godot by samuel beckett script title and statement of responsibility area title proper waiting for godot by samuel beckett script general material designation

[drama waiting for godot script pdf samuel beckett theatre](#) - Feb 18 2022

web samuel beckett copyright all rights reserved available formats download as pdf txt or read online from scribd flag for inappropriate content download now of 19 waiting for godot script act i scene 1 didi gogo scene opens with gogo sitting on a mound trying to remove his boot didi approaches him estragon nothing to be

**waiting for godot wikipedia** - Aug 07 2023

web waiting for godot ' g ɒ d ɒ god oh is a play by irish playwright samuel beckett in which two characters vladimir didi and estragon gogo engage in a variety of discussions and encounters while awaiting the titular godot who never arrives

**waiting for godot summary characters facts britannica** - Jun 05 2023

web waiting for godot tragicomedy in two acts by irish writer samuel beckett published in 1952 in french as en attendant godot and first produced in 1953 waiting for godot was a true innovation in drama and the theatre of the absurd s first theatrical success

**samuel beckett waiting for godot a casebook** - Apr 03 2023

web en attendant godot en attendant godot beckett samuel 17 82 literary criticism en attendant godot beckett

toneelschrijvers théâtre anglais 20e siècle histoire et critique drama in english beckett samuel 1906 waiting for godot critical studies

**samuel beckett waiting for godot the kennedy center** - Jul 26 2022

web education resources for educators digital resources library media interactives theater plays playwrights samuel beckett

waiting for godot the curtain rises on a world out of harmony the cast and director from the gate theatre s dublin production of waiting for godot discuss this well known and enigmatic classic by samuel beckett

**waiting for godot by samuel beckett samuel beckett free** - Feb 01 2023

web apr 8 2022 waiting for godot is a play by samuel beckett in which two characters vladimir and estragon engage in a variety of discussions and encounters while awaiting the titular godot who never arrives addeddate

*waiting for godot a tragicomedy in two acts google books* - Sep 27 2022

web apr 12 2011 waiting for godot is one of the masterpieces of the century the story revolves around two seemingly homeless men waiting for someone or something named godot vladimir and estragon wait near a tree inhabiting a drama spun of

**waiting for godot by samuel beckett the british library** - Jul 06 2023

web one of the most significant works of literature of the 20th century samuel beckett s waiting for godot 1953 is a play open to all manner of readings it is a play stripped of the superfluous in which two men wait they wait for someone who never arrives

**madame bovary flaubert analyse complète du livre** - Jun 12 2023

web cette analyse littéraire de madame bovary dresse le portrait des protagonistes de l ouvrage de flaubert elle commence dès lors par le personnage autour duquel s articule l intrigue emma bovary

*madame bovary de flaubert analyse et résumé 1 3* - May 11 2023

web nov 10 2013 analyse et résumé madame bovary de gustave flaubert 1 3 première partie biographie et psychologie des personnages de madame bovary gustave flaubert prétendait quand il était

**profil madame bovary flaubert analyse litteraire de l oeuvre** - Sep 03 2022

web une analyse de l oeuvre au programme du bac 2015 2016 de litterature francaise en tle l madame bovary est au programme du bac 2015 2016 de litterature francaise en terminale l en lien avec l objet d etude ecrire publier lire ce profil du bac en propose une analyse approfondie en deux parties 1 le resume et les reperes pour la lecture

[profil madame bovary flaubert analyse littéraire de l oeuvre](#) - May 31 2022

web 3 99 lisez avec notre appli gratuite une analyse de l œuvre au programme du bac 2015 2016 de littérature française en tle l madame bovary est au programme du bac 2015 2016 de littérature française en terminale l en lien avec l objet d étude

*profil madame bovary flaubert analyse litteraire de l oeuvre* - Apr 10 2023

web une analyse de l oeuvre au programme du bac 2015 2016 de litterature francaise en tle l madame bovary est au programme du bac 2015 2016 de litterature francaise en terminale l en lien avec

**madame bovary de gustave flaubert article français lumni** - Aug 14 2023

web may 9 2022 madame bovary de gustave flaubert recourt au registre lyrique lorsque le point de vue du personnage d emma est donné et au registre ironique lorsque c est le narrateur qui s exprime à travers une focalisation omnisciente

*profil madame bovary flaubert analyse littéraire de l oeuvre* - Apr 29 2022

web aug 27 2014 résumé une analyse de l ouvre au programme du bac 2015 2016 de littérature française en tle l madame bovary est au programme du bac 2015 2016 de littérature française en terminale l en lien avec l objet d étude Écrire publier lire ce profil du bac numérique en propose une analyse approfondie en deux parties 1

**madame bovary j ai un amant ii 9 analyse linéaire bac 2024** - Mar 29 2022

web apr 3 2023 pour mener cette analyse linéaire du texte j ai un amant ii 9 de madame bovary nous suivrons les mouvements du texte d abord le bouleversement amoureux du début du passage à transfigurerait ensuite l ivresse du bonheur de elle se répétait à hauteurs enfin une héroïne de roman satisfaite d elle

**flaubert madame bovary une oeuvre réaliste ou romantique** - Sep 15 2023

web madame bovary est essentiellement une condamnation de cette propension de l esprit à tout enjoliver à parer la réalité la plus triviale des feux de l imagination flaubert dénonce un certain romantisme par refus de l invraisemblance et haine des lieux communs

**profil flaubert madame bovary analyse littéraire de l oeuvre** - Feb 25 2022

web aug 27 2014 madame bovary est au programme du bac 2015 2016 de littérature française en terminale l en lien avec l objet d étude Écrire publier lire ce profil du bac en propose une analyse approfondie en deux parties

**madame bovary de flaubert résumé et analyse du roman** - Oct 16 2023

web bac affichages 48858 madame bovary roman de gustave flaubert est publié en 1857 son auteur est traduit en justice la même année pour offense à la morale publique la publicité faite autour de ce procès garantit le succès de madame bovary dont le premier tirage de vingt mille exemplaires est rapidement épuisé

**profil flaubert madame bovary analyse littéraire de l oeuvre** - Jan 07 2023

web profil flaubert madame bovary analyse littéraire de l oeuvre mallet jean daniel amazon fr livres livres livres pour enfants formation et références neuf 4 60 tous les prix incluent la tva retours gratuits livraison à 0 01 lundi 5 juin détails ou livraison accélérée jeudi 1 juin commandez dans les 17 h 42 min détails

résumé et analyse de madame bovary superprof - Dec 06 2022

web madame bovary de gustave flaubert a eu une portée et une influence considérables sur la littérature et la culture voici quelques aspects marquants de son impact réalisme littéraire flaubert est considéré comme l un des pionniers du réalisme littéraire

**analyse de madame bovary de gustave flaubert le petit lecteur** - Jul 13 2023

web dans madame bovary flaubert a choisi de faire un examen clinique de la réalité le réalisme dont est question dans cette œuvre est un réalisme personnel avec cette oeuvre qui est un regard littéraire sur la lecture l auteur fait preuve d une certaine impartialité

*profil madame bovary flaubert analyse littéraire de l oeuvre* - Oct 04 2022

web une analyse de l œuvre au programme du bac 2015 2016 de littérature française en tle l madame bovary est au programme du bac 2015 2016 de littérature française en terminale l en lien avec l objet d étude Écrire publier lire ce profil du bac numérique en propose une analyse approfondie en deux parties 1

*profil madame bovary flaubert analyse litteraire de l oeuvre* - Aug 02 2022

web aug 27 2014 une analyse de l oeuvre au programme du bac 2015 2016 de litterature francaise en tle l madame bovary est au programme du bac 2015 2016 de litterature francaise en terminale l en lien avec l objet d etude ecrire publier lire ce profil du bac en propose une analyse approfondie en deux parties 1

*commentaire d un extrait de madame bovary flaubert* - Nov 05 2022

web introduction un critique a dit que tous les personnages décrits par flaubert sont taillés dans lui même en effet dans cet extrait de mme bovary flaubert semble faire revivre les tentations qu il a eues et les inspirations qu il a ressenties l intérêt de ce texte est la relation créateur flaubert créature emma

**profil madame bovary flaubert analyse littéraire de l oeuvre** - Jul 01 2022

web profil madame bovary flaubert analyse littéraire de l oeuvre par jean daniel mallet aux éditions hatier une analyse de l œuvre au programme du bac 2015 2016 de littérature française en tle l madame bovary est au programme du bac 2015 2016 de littérature française mes réservations

**madame bovary incipit flaubert analyse pour l oral** - Mar 09 2023

web jan 26 2014 madame bovary incipit flaubert analyse pour l oral de manière étonnante flaubert débute son roman par un portrait de charles bovary le mari d emma voici l analyse de cet incipit mêlant réalisme et romantisme commentaire composéle bac de français facile et efficace commence ici bac français 2024 les épreuves du bac

**profil madame bovary flaubert analyse littéraire de l oeuvre** - Feb 08 2023

web madame bovary est au programme du bac 2015 2016 de littérature française en terminale l en lien avec l objet d étude Écrire publier lire ce profil du bac numérique en propose une analyse approfondie en deux parties

**how to study the bible by chuck missler books on google play** - Nov 20 2022

web from forty years of intensive bible study and teaching missler shares his favorite helps secrets and practical suggestions on how to take the bible seriously most christians although they want to do in depth bible study know little of the types philosophies and tools of study available

*learn the bible in 24 hours missler chuck archive org* - Sep 18 2022

web learn the bible in 24 hours by missler chuck publication date 2002 topics bible introductions bible study and teaching publisher nashville thomas nelson publishers collection printdisabled internetarchivebooks contributor internet archive language english xii 329 p 23 cm includes bibliographical references

*chuck missler revelation bible study 01 24 youtube* - Apr 25 2023

web jun 18 2014 chuck missler revelation bible study 01 24 wesley taylor 24 videos 791 080 views last updated on jun 18 2014 all chuck missler s study videos on

[how can we be sure chuck missler koinonia house](#) - Apr 13 2022

web aug 1 2021 between 1946 and 1956 981 different texts were found in eleven caves from the area of qumran near the dead sea of these about 230 scrolls are considered biblical while others are routine documents that describe the daily life and rules of the community that lived in qumran during the first century

[how to study the bible excerpt dr chuck missler koinonia house](#) - Jan 22 2023

web dec 1 2017 how to study the bible excerpt by dr chuck missler december 1 2017 print this article the bible is the word of god that s quite a statement if we really believe that it should change everything we realize that the bible is not the random jottings of ancient hebrew sages but a portal a portal into the heart of our creator

[koinonia house](#) - Mar 24 2023

web the ministry of dr chuck missler view bible study articles and resources with topics including prophecy current events and practical christian living

**chuck missler genesis bible study 01 24 youtube** - Jun 27 2023

web jun 14 2014 all chuck missler s study videos on genesis play all shuffle 1 1 29 54 chuck missler genesis session 01 wesley taylor 591k views 9 years ago 2 1 30 40

*premium bible commentaries by chuck missler khouse tv* - Feb 23 2023

web premium bible commentaries by chuck missler this comprehensive verse by verse collection will provide hours of uplifting and transforming bible study and insights by chuck missler

*studying the bible 1 2 chuck missler youtube* - Jun 15 2022

web studying the bible 1 2 chuck missler 100huntley 502k subscribers join subscribe 1 4k 83k views 13 years ago studying the bible 1 2 chuck missler show more

*chuck missler* - Dec 21 2022

web he is well known for his biblical studies including most notably learn the bible in 24 hours the book of revelation the book of genesis and the book of daniel as well as his topical studies return of the nephilim and his angels series chuck and his

late wife nancy missler founded koinonia house in 1973

[the best of chuck missler chuck missler youtube](#) - Feb 11 2022

web sep 20 2023 chuck has some 8 million awesome bible studies in circulation worldwide and we ve edited together the best of the best into one hour of non stop slam dunk off the charts comments that ll

**learn the bible in 24 hours chuck missler** - Jul 28 2023

web oct 11 2016 chuck missler resources controversies chuck states in the first session that you can t possibly learn the bible in 24 hours however continues on to present what s widely considered one of the most informative overviews of the

**topical bible study bible study koinonia house** - Oct 19 2022

web from forty years of intensive bible study and teaching missler shares his favorite helps secrets and practical suggestions on how to take the bible seriously articles the most powerful growth secret one of the most rewarding involvements and one that is virtually guaranteed to help you grow spiritually is a home bible study

*how to study the bible chuck missler 9781578217243* - Jul 16 2022

web jan 1 2017 from forty years of intensive bible study and teaching missler shares his favorite helps secrets and practical suggestions on how to take the bible seriously most christians although they want to do in depth bible study know little of the types philosophies and tools of study available

*audio video commentaries by chuck missler blue letter bible* - May 26 2023

web chuck missler mr missler was the chairman of koinonia house k house a non profit organization which is dedicated to the development and distribution of materials for encouraging and facilitating serious study of the bible as the inerrant word of god k house was founded by chuck and nancy missler and moved to coeur d alene idaho

**daily radio program for chuck missler episode for friday 22nd** - Aug 17 2022

web show daily radio program for chuck missler ep episode for friday 22nd september 2023 jude 6 sep 21 2023 exit apple store mac ipad iphone watch this study contains approximately 8 hours of verse by verse teachings the bible in a year with fr mike schmitz ascension the bible recap

[chuck missler passes away at 83 leaving a vast archive of bible](#) - Mar 12 2022

web may 1 2018 the church has lost one of its most prolific bible teachers with chuck missler s passing but his messages will continue to impact new generations born charles w missler on may 28 1934 in illinois usa chuck died on may 1 2018 in reporoa new zealand according to koinonia house he is survived by his two daughters lisa and

**how to study the bible chuck missler google books** - May 14 2022

web jan 20 2023 from forty years of intensive bible study and teaching missler shares his favorite helps secrets and practical suggestions on how to take the bible seriously most christians although

**topical bible studies koinonia house** - Jan 10 2022

web chuck missler has always been convinced that home bible studies are where the real action is for committed christians  
bible study resources from dr chuck missler on dvd cd audio and video download

**learn the bible in 24 hours hour 1 small groups chuck missler** - Aug 29 2023

web sep 4 2016 join us with session 1 of our updated and fully remastered version of learn the bible in 24 hours with dr  
chuck missler subscribe to our channel we bring