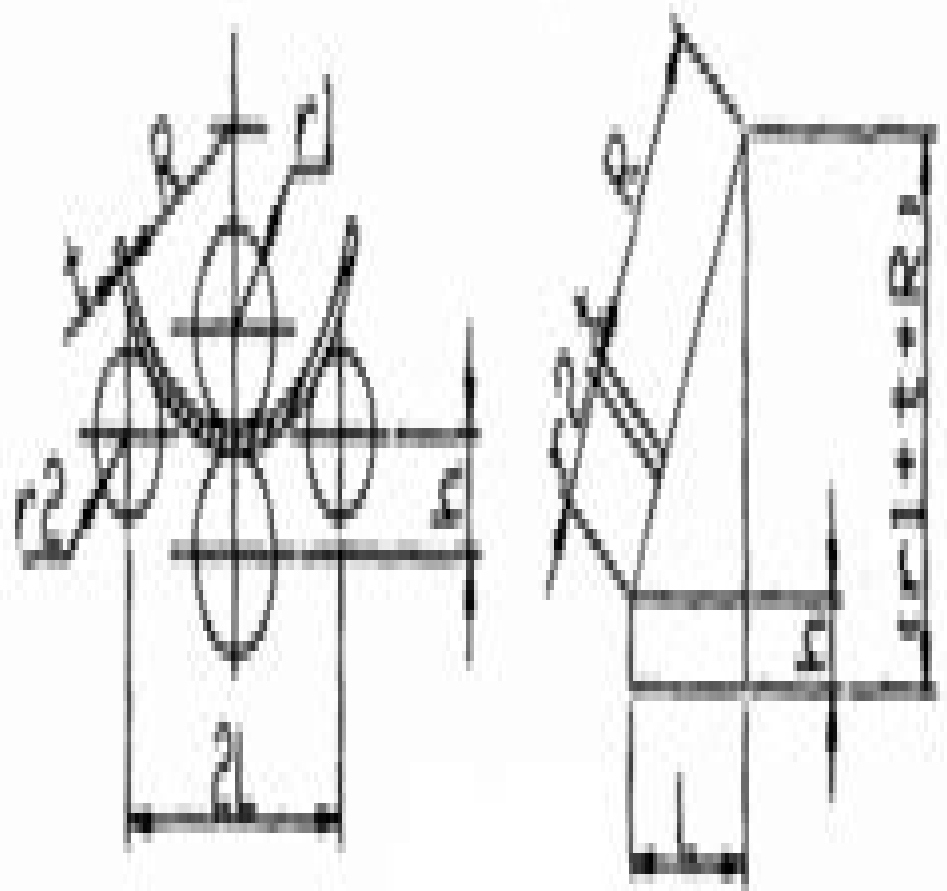


(a) Three-roll veneer reeling machine



(b) Four-roll veneer reeling machine

Plate Rolling Machine Calculation

Jessica J Manson



Plate Rolling Machine Calculation:

The Captivating Realm of Kindle Books: A Thorough Guide Unveiling the Benefits of Kindle Books: A World of Convenience and Flexibility E-book books, with their inherent mobility and ease of access, have freed readers from the limitations of hardcopy books. Gone are the days of carrying bulky novels or carefully searching for specific titles in shops. Kindle devices, sleek and lightweight, seamlessly store an extensive library of books, allowing readers to immerse in their favorite reads anytime, anywhere. Whether traveling on a bustling train, relaxing on a sun-kissed beach, or simply cozying up in bed, E-book books provide an unparalleled level of convenience. A Literary World Unfolded: Discovering the Vast Array of E-book Plate Rolling Machine Calculation Plate Rolling Machine Calculation The Kindle Store, a virtual treasure trove of literary gems, boasts an wide collection of books spanning varied genres, catering to every readers preference and preference. From gripping fiction and thought-provoking non-fiction to classic classics and modern bestsellers, the E-book Shop offers an exceptional variety of titles to explore. Whether looking for escape through immersive tales of fantasy and exploration, delving into the depths of historical narratives, or expanding ones knowledge with insightful works of scientific and philosophy, the E-book Shop provides a gateway to a literary universe brimming with endless possibilities. A Game-changing Force in the Literary Scene: The Lasting Influence of E-book Books Plate Rolling Machine Calculation The advent of Kindle books has undoubtedly reshaped the bookish landscape, introducing a paradigm shift in the way books are published, disseminated, and consumed. Traditional publication houses have embraced the digital revolution, adapting their strategies to accommodate the growing demand for e-books. This has led to a rise in the availability of Kindle titles, ensuring that readers have access to a vast array of literary works at their fingertips. Moreover, E-book books have democratized access to books, breaking down geographical barriers and providing readers worldwide with similar opportunities to engage with the written word. Regardless of their location or socioeconomic background, individuals can now immerse themselves in the intriguing world of books, fostering a global community of readers. Conclusion: Embracing the E-book Experience Plate Rolling Machine Calculation E-book books Plate Rolling Machine Calculation, with their inherent ease, flexibility, and wide array of titles, have unquestionably transformed the way we encounter literature. They offer readers the liberty to discover the boundless realm of written expression, whenever, anywhere. As we continue to travel the ever-evolving online landscape, Kindle books stand as testament to the lasting power of storytelling, ensuring that the joy of reading remains reachable to all.

https://py.bijouxmedusa.com/public/scholarship/Download_PDFS/The_Glass_Palace_Summary_And_Analysis_Like_Sparknotes.pdf

Table of Contents Plate Rolling Machine Calculation

1. Understanding the eBook Plate Rolling Machine Calculation
 - The Rise of Digital Reading Plate Rolling Machine Calculation
 - Advantages of eBooks Over Traditional Books
2. Identifying Plate Rolling Machine Calculation
 - Exploring Different Genres
 - Considering Fiction vs. Non-Fiction
 - Determining Your Reading Goals
3. Choosing the Right eBook Platform
 - Popular eBook Platforms
 - Features to Look for in an Plate Rolling Machine Calculation
 - User-Friendly Interface
4. Exploring eBook Recommendations from Plate Rolling Machine Calculation
 - Personalized Recommendations
 - Plate Rolling Machine Calculation User Reviews and Ratings
 - Plate Rolling Machine Calculation and Bestseller Lists
5. Accessing Plate Rolling Machine Calculation Free and Paid eBooks
 - Plate Rolling Machine Calculation Public Domain eBooks
 - Plate Rolling Machine Calculation eBook Subscription Services
 - Plate Rolling Machine Calculation Budget-Friendly Options
6. Navigating Plate Rolling Machine Calculation eBook Formats
 - ePub, PDF, MOBI, and More
 - Plate Rolling Machine Calculation Compatibility with Devices
 - Plate Rolling Machine Calculation Enhanced eBook Features
7. Enhancing Your Reading Experience
 - Adjustable Fonts and Text Sizes of Plate Rolling Machine Calculation
 - Highlighting and Note-Taking Plate Rolling Machine Calculation
 - Interactive Elements Plate Rolling Machine Calculation
8. Staying Engaged with Plate Rolling Machine Calculation

- Joining Online Reading Communities
 - Participating in Virtual Book Clubs
 - Following Authors and Publishers Plate Rolling Machine Calculation
9. Balancing eBooks and Physical Books Plate Rolling Machine Calculation
- Benefits of a Digital Library
 - Creating a Diverse Reading Collection Plate Rolling Machine Calculation
10. Overcoming Reading Challenges
- Dealing with Digital Eye Strain
 - Minimizing Distractions
 - Managing Screen Time
11. Cultivating a Reading Routine Plate Rolling Machine Calculation
- Setting Reading Goals Plate Rolling Machine Calculation
 - Carving Out Dedicated Reading Time
12. Sourcing Reliable Information of Plate Rolling Machine Calculation
- Fact-Checking eBook Content of Plate Rolling Machine Calculation
 - Distinguishing Credible Sources
13. Promoting Lifelong Learning
- Utilizing eBooks for Skill Development
 - Exploring Educational eBooks
14. Embracing eBook Trends
- Integration of Multimedia Elements
 - Interactive and Gamified eBooks

Plate Rolling Machine Calculation Introduction

Free PDF Books and Manuals for Download: Unlocking Knowledge at Your Fingertips In today's fast-paced digital age, obtaining valuable knowledge has become easier than ever. Thanks to the internet, a vast array of books and manuals are now available for free download in PDF format. Whether you are a student, professional, or simply an avid reader, this treasure trove of downloadable resources offers a wealth of information, conveniently accessible anytime, anywhere. The advent of online libraries and platforms dedicated to sharing knowledge has revolutionized the way we consume information. No longer confined to physical libraries or bookstores, readers can now access an extensive collection of digital books and

manuals with just a few clicks. These resources, available in PDF, Microsoft Word, and PowerPoint formats, cater to a wide range of interests, including literature, technology, science, history, and much more. One notable platform where you can explore and download free Plate Rolling Machine Calculation PDF books and manuals is the internet's largest free library. Hosted online, this catalog compiles a vast assortment of documents, making it a veritable goldmine of knowledge. With its easy-to-use website interface and customizable PDF generator, this platform offers a user-friendly experience, allowing individuals to effortlessly navigate and access the information they seek. The availability of free PDF books and manuals on this platform demonstrates its commitment to democratizing education and empowering individuals with the tools needed to succeed in their chosen fields. It allows anyone, regardless of their background or financial limitations, to expand their horizons and gain insights from experts in various disciplines. One of the most significant advantages of downloading PDF books and manuals lies in their portability. Unlike physical copies, digital books can be stored and carried on a single device, such as a tablet or smartphone, saving valuable space and weight. This convenience makes it possible for readers to have their entire library at their fingertips, whether they are commuting, traveling, or simply enjoying a lazy afternoon at home. Additionally, digital files are easily searchable, enabling readers to locate specific information within seconds. With a few keystrokes, users can search for keywords, topics, or phrases, making research and finding relevant information a breeze. This efficiency saves time and effort, streamlining the learning process and allowing individuals to focus on extracting the information they need. Furthermore, the availability of free PDF books and manuals fosters a culture of continuous learning. By removing financial barriers, more people can access educational resources and pursue lifelong learning, contributing to personal growth and professional development. This democratization of knowledge promotes intellectual curiosity and empowers individuals to become lifelong learners, promoting progress and innovation in various fields. It is worth noting that while accessing free Plate Rolling Machine Calculation PDF books and manuals is convenient and cost-effective, it is vital to respect copyright laws and intellectual property rights. Platforms offering free downloads often operate within legal boundaries, ensuring that the materials they provide are either in the public domain or authorized for distribution. By adhering to copyright laws, users can enjoy the benefits of free access to knowledge while supporting the authors and publishers who make these resources available. In conclusion, the availability of Plate Rolling Machine Calculation free PDF books and manuals for download has revolutionized the way we access and consume knowledge. With just a few clicks, individuals can explore a vast collection of resources across different disciplines, all free of charge. This accessibility empowers individuals to become lifelong learners, contributing to personal growth, professional development, and the advancement of society as a whole. So why not unlock a world of knowledge today? Start exploring the vast sea of free PDF books and manuals waiting to be discovered right at your fingertips.

FAQs About Plate Rolling Machine Calculation Books

How do I know which eBook platform is the best for me? Finding the best eBook platform depends on your reading preferences and device compatibility. Research different platforms, read user reviews, and explore their features before making a choice. Are free eBooks of good quality? Yes, many reputable platforms offer high-quality free eBooks, including classics and public domain works. However, make sure to verify the source to ensure the eBook credibility. Can I read eBooks without an eReader? Absolutely! Most eBook platforms offer webbased readers or mobile apps that allow you to read eBooks on your computer, tablet, or smartphone. How do I avoid digital eye strain while reading eBooks? To prevent digital eye strain, take regular breaks, adjust the font size and background color, and ensure proper lighting while reading eBooks. What the advantage of interactive eBooks? Interactive eBooks incorporate multimedia elements, quizzes, and activities, enhancing the reader engagement and providing a more immersive learning experience. Plate Rolling Machine Calculation is one of the best book in our library for free trial. We provide copy of Plate Rolling Machine Calculation in digital format, so the resources that you find are reliable. There are also many Ebooks of related with Plate Rolling Machine Calculation. Where to download Plate Rolling Machine Calculation online for free? Are you looking for Plate Rolling Machine Calculation PDF? This is definitely going to save you time and cash in something you should think about. If you trying to find then search around for online. Without a doubt there are numerous these available and many of them have the freedom. However without doubt you receive whatever you purchase. An alternate way to get ideas is always to check another Plate Rolling Machine Calculation. This method for see exactly what may be included and adopt these ideas to your book. This site will almost certainly help you save time and effort, money and stress. If you are looking for free books then you really should consider finding to assist you try this. Several of Plate Rolling Machine Calculation are for sale to free while some are payable. If you arent sure if the books you would like to download works with for usage along with your computer, it is possible to download free trials. The free guides make it easy for someone to free access online library for download books to your device. You can get free download on free trial for lots of books categories. Our library is the biggest of these that have literally hundreds of thousands of different products categories represented. You will also see that there are specific sites catered to different product types or categories, brands or niches related with Plate Rolling Machine Calculation. So depending on what exactly you are searching, you will be able to choose e books to suit your own need. Need to access completely for Campbell Biology Seventh Edition book? Access Ebook without any digging. And by having access to our ebook online or by storing it on your computer, you have convenient answers with Plate Rolling Machine Calculation To get started finding Plate Rolling Machine Calculation, you are right to find our website which has a comprehensive collection of books online. Our library is the biggest of these that have literally hundreds of thousands of different products represented. You will also see that there are specific sites catered to different categories or niches related with Plate Rolling Machine Calculation So depending on what exactly

you are searching, you will be able to choose ebook to suit your own need. Thank you for reading Plate Rolling Machine Calculation. Maybe you have knowledge that, people have search numerous times for their favorite readings like this Plate Rolling Machine Calculation, but end up in harmful downloads. Rather than reading a good book with a cup of coffee in the afternoon, instead they juggled with some harmful bugs inside their laptop. Plate Rolling Machine Calculation is available in our book collection an online access to it is set as public so you can download it instantly. Our digital library spans in multiple locations, allowing you to get the most less latency time to download any of our books like this one. Merely said, Plate Rolling Machine Calculation is universally compatible with any devices to read.

Find Plate Rolling Machine Calculation :

~~the glass palace summary and analysis like sparknotes~~

~~the early arabic historical tradition a source critical study studies in late antiquity and early islam vol 3~~

~~the museum of intangible things wendy wunder~~

~~the internationalization of palace wars lawyers economists and the contest to transform latin american states chicago series in law and society~~

~~the giant encyclopedia of circle time and group activities for children 2 to 6 over 600 favourite circle time activities created by teachers for teachers~~

the maritime engineering reference book a guide to ship

~~the funniest tales of mullah nasruddin english edition~~

~~the dhandho investor low risk value method to high returns mohnish pabrai~~

the essential handbook for human service leaders

~~the education of hyman kaplan~~

~~the dressmaker posie graeme evans~~

~~the emerald tablets of thoth the atlantean~~

~~the death cure maze runner 3 james dashner~~

~~the international handbook on social innovation collective action social learning and transdisciplinary research elgar original reference~~

~~the hippies and american values~~

Plate Rolling Machine Calculation :

capitalisme américain histoire arte - Jan 29 2023

web de rockefeller aux ploutocrates elon musk jeff bezos ou steve jobs en passant par le krach de 1929 et la crise des subprimes de 2007 retour sur l histoire d une mythologie nationale passer à la recherche arte accueil menu guide tv direct bientôt en ligne arte concert afficher la recherche

crise de 1929 la fin des années folles vidéo histoire lumni - Jun 21 2022

web jun 27 2022 le krach de 1929 et la grande dépression le jeudi 24 octobre 1929 13 millions d actions sont mises en vente à wall street problème il n y a pas d acheteurs c est donc le krach boursier un effet domino infernal les cours de la bourse dégringolent les investisseurs sont ruinés et ne peuvent plus rembourser les banques qui font faillite

quelles sont les conséquences du krach de 1929 futura - Jun 02 2023

web jun 16 2022 crise boursière majeure du xxe siècle le krach de 1929 ébranla la bourse new yorkaise du 24 au 29 octobre avant de se propager à l ensemble des bourses mondiales à l exception de

90 ans du krach boursier de 1929 le site de presse de la bnf - Dec 28 2022

web le 24 octobre 1929 tout bascule après la prospérité des années 1920 aux États unis le krach boursier de wall street marque l éclatement d une bulle spéculative boursière c est le déclencheur d une période de crise financière et économique mondiale

le krach de 1929 engendre nazisme et front populaire - Feb 27 2023

web le krach de 1929 engendre nazisme et front populaire l économie capitaliste locomotive du bonheur tout fier du modèle américain le président de general motors john j raskob l assure à un journal en 1929 la fortune est à la portée de tous deux mois plus tard wall street chancelle

bourse le krach de 1929 lesaffaires com - Apr 19 2022

web may 20 2022 la lecture de the great crash 1929 permet d identifier les comportements boursiers les plus stupides et dangereux elle permet de mieux saisir quelles peuvent être les

la crise de 1929 et la grande dépression economie gouv fr - Mar 31 2023

web la crise de 1929 partie des États unis se diffusera dans le monde entier sous la forme d une grande dépression généralisée dès le printemps 1929 des nuages s amoncellent sur l économie américaine après plusieurs années de croissance vigoureuse

Épisode 3 4 krach de 1929 husserl et la notion de crise radio - Aug 24 2022

web jun 21 2023 le krach de 1929 est une crise difficile à penser et à nommer ce qui se manifeste par la volonté de ne pas en parler ou de proclamer sa fin précoce ce déni caractérise d ailleurs peut être en profondeur les années 1930

[krach de 1929 wikiwand](#) - Sep 05 2023

web le krach de 1929 est une crise boursière qui se déroula à la bourse de new york entre le jeudi 24 octobre et le mardi 29 octobre 1929 cet événement est l'un des plus célèbres de l'histoire boursière marquant le début de la grande dépression la plus grande crise économique du xx^e siècle les jours clés du krach ont hérité de surnoms distincts le

krach de 1929 pourquoi wall street s'est-il effondré lors de ce - Mar 19 2022

web oct 24 2023 il y a 94 ans le 23 octobre 1929 éclatait à new york le krach de la bourse de wall street une crise aux terribles conséquences même à l'international mais comment en est-on

la fin des années folles et le krach boursier de 1929 - May 01 2023

web sep 2 2016 les années folles se terminent en 1929 avec le krach boursier survenu aux états unis mettant ainsi fin à une décennie florissante le krach boursier une fin brutale le 24 octobre 1929 le jeudi noir de wall street précipite l'amérique dans le plus gigantesque krach boursier de son histoire

[le grand krach de 1929 au canada l'encyclopédie canadienne](#) - Jul 23 2022

web oct 18 2013 la particularité du grand krach de 1929 c'est que le pire continuait à empirer écrira l'économiste d'origine canadienne john kenneth galbraith dans son ouvrage marquant the great crash 1929 1954 trad la crise économique de 1929 1970 les marchés reprennent de la vigueur mais seulement très brièvement

quiz sur krach de 1929 ou le jeudi noir edubourse - Sep 24 2022

web dec 3 2021 découvrez notre quiz boursier sur quiz sur krach de 1929 ou le jeudi noir 1929 fut une année noire pour les marchés financiers mais aussi pour l'économie mondiale le krach de 1929 marque le début d'une nouvelle ère guerrière lire la suite de la fiche pierre perrin monlouis trader analyste financier

krach de 1929 wikipédia - Oct 06 2023

web le krach de 1929 est une crise boursière qui se déroula à la bourse de new york entre le jeudi 24 octobre et le mardi 29 octobre 1929 cet événement est l'un des plus célèbres de l'histoire boursière marquant le début de la grande dépression la plus grande crise économique du xx^e siècle

krach 1929 comment est-on passé d'une crise américaine à une - Jul 03 2023

web jun 19 2021 le krach boursier d'octobre 1929 plonge les États unis dans une crise économique sans précédent qui s'étend à rapidement à l'ensemble du monde dans la dépression des années 1930 la seconde guerre mondiale trouve ses racines

crise de 1929 causes conséquences du krach boursier - Aug 04 2023

web oct 6 2022 l'internaute.com crise de 1929 née d'un krach boursier à wall street le jeudi 24 octobre 1929 la crise de 1929 va se propager dans le monde entier et avoir des conséquences dramatiques qui mèneront à la grande dépression

le krach de 1929 à la genèse de la grande dépression - Nov 26 2022

web le 05 mai 2020 à 06h32 1929 fin de la seconde guerre mondiale chocs pétroliers krach de 1987 ou crise de 2008

comment a t on affronté ces différentes crises dans la mémoire collective

du krach de 1929 à la faillite de lehman brothers les quatre - Oct 26 2022

web apr 18 2021 1929 le jeudi noir la mère de toutes les crises financières commence un jeudi noir le 24 octobre des ventes massives d actions secouent wall street et mettent fin à des

le krach de 1929 youtube - May 21 2022

web le krach de 1929

topic le krach de 1929 c était quel mois jeuxvideo com - Feb 15 2022

web oct 1 2023 el famoso 3 jours noirs que personne n a vu une minorité qui foutent la merde et qui viennent pleurer car ils ont perdu 200m sur 300m et c est donc la fin du monde pour eux forumeurvuitton

subtract two 5 digit numbers with regrouping missing - Mar 09 2023

web in this worksheet students must find the missing number using the count back method or the relationship between addition and subtraction to solve subtract two 5 digit numbers

regroup write the missing number page 2 wyzant - Aug 22 2021

regroup find the missing number wyzant ask an expert - May 11 2023

web oct 24 2014 this is a making change problem i like to think of regrouping problems as if they involved money if you had 27 in 1 dollar bills how many 10 dollar bills could you

add and subtract two 5 digit numbers with regrouping missing - Jul 13 2023

web in this worksheet students must find the missing number using the relationship between addition and subtraction to solve add and subtract two 5 digit numbers with regrouping

subtract numbers within 1000 with regrouping missing numbers - Nov 24 2021

web in this worksheet students find the missing number using the count on method or the relationship between addition and subtraction to solve add 4 digit and 3 digit numbers

regroup find the missing number wyzant ask an expert - Jun 12 2023

web nov 19 2019 regroup find the missing number wyzant ask an expert elementary math asked 11 19 19 regroup find the missing number 6 hundreds 2 tens 5

subtracting 2 digit numbers missing numbers no - Nov 05 2022

web find step by step pre algebra solutions and your answer to the following textbook question regroup write the missing

numbers 40 tens hundreds

add 4 digit and 3 digit numbers with regrouping missing - Oct 24 2021

web students find the missing number while subtracting decimals by using the relationship between addition and subtraction subtract decimals without regrouping worksheet does

regroup definition meaning merriam webster - Apr 29 2022

web regroup definition to form into a new or restructured group or grouping see more

regroup whole numbers practice khan academy - Jan 07 2023

web google classroom regroup the number to express the value in a different way 30 30 tens hundreds stuck use a hint report a problem 7 4 1 x x y y theta θ pi π 8 5 2 0 9 6 3 do 4 problems

regrouping whole number place values practice study com - Feb 08 2023

web 1 regroup to determine the missing value 30 tens hundreds 2 by regrouping how many hundreds are there in 20 tens 3 regroup to determine the missing value

free regroup write the missing numbers - Sep 03 2022

web place value shows where one number is in a full number just think about it like this 842 2 8 2 4 800 2 400 4 2 2 40 2 20 2 2 1 2 2 1 so breaking it up

subtract decimals without regrouping missing numbers worksheet - Sep 22 2021

web no answered questions found for regroup write the missing number view all regroup write the missing number questions suggestions try searching for different keywords

newest regroup write the missing number questions wyzant - Aug 14 2023

web sep 23 2019 regroup write the missing number ask a question 1 answered questions for the topic regroup write the missing number newest active followers regroup write the missing number 09 23 19

examples of regroup in a sentence yourdictionary com - Feb 25 2022

web sep 15 2023 officials say ukrainian troops have secured another victory as the counteroffensive continues meanwhile pictures have emerged of kim jong un s latest

regroup in a sentence words in a sentence - Dec 26 2021

web in this worksheet students must find the missing number using the count back method or the relationship between addition and subtraction to solve subtract numbers within

subtraction with missing numbers no regrouping k5 learning - May 31 2022

web how to use regroup in a sentence to form into a new grouping to reorganize as after a setback for renewed activity to alter the tactical formation of a military force see the

[regrouping whole number place values video khan academy](#) - Aug 02 2022

web students use the relationship between addition and subtraction to find the missing number while adding decimals to reach the answer they must also regroup the numbers in

regroup write the missing numbers tens 15 ones 6 ten - Apr 10 2023

web find step by step pre algebra solutions and your answer to the following textbook question regroup write the missing numbers tens 15 ones 6 tens 5 ones

[subtracting with regrouping missing number k5 learning](#) - Dec 06 2022

web subtracting with regrouping missing number grade 2 subtraction worksheet find the missing number 1 66 9 57 2 44 6 38 3 80 4 76 4 42 5 37 5 76 8 68

regroup definition meaning dictionary com - Mar 29 2022

web regroup sentence examples thus the sum of 8 and 7 cannot be expressed as ones we can either form the whole and regroup it as 10 and 5 or we can split up the 7 into 2 and

[regroup write the missing numbers 40 tens hundreds](#) - Oct 04 2022

web regroup write the missing numbers first numbers feb 26 2020 make learning numbers fun with first numbers provides a friendly introduction to counting to 10

war latest ukraine captures another village in east kim jong un - Jan 27 2022

web definition of regroup to stop for a short period before continuing doing a difficult task examples of regroup in a sentence after another devastating loss the team decided to

add decimals with regrouping missing numbers worksheet - Jul 01 2022

web in these subtraction worksheets students fill in the missing minuend or subtrahend equations involve subtracting 1 or 2 digit numbers from 2 digit numbers with no

spa prohibido suicidarse en pr nueva biblioteca e pdf - May 12 2023

web 4 spa prohibido suicidarse en pr nueva biblioteca e 2022 06 01 harari addresses the challenge of navigating life in the face of constant and disorienting change and raises the important questions we need to ask ourselves in order to survive in twenty one accessible chapters that are both provocative and profound harari builds on the ideas

spa prohibido suicidarse en pr nueva biblioteca e pdf - Sep 16 2023

web spa prohibido suicidarse en pr nueva biblioteca e 5 5 front page physician assisted dying open road media michel foucault examines the archeology of madness in the west from 1500 to 1800 from the late middle ages when insanity was still considered part of everyday life and fools and lunatics walked the streets freely to the

[spa prohibido suicidarse en pr nueva biblioteca e pdf](#) - Apr 11 2023

web apr 29 2023 bordering to the statement as capably as sharpness of this spa prohibido suicidarse en pr nueva biblioteca e can be taken as well as picked to act the spanish avant garde derek harris 1995 this is the first book in english to examine the development of the avant garde in spain during the early twentieth century across a wide

spa prohibido suicidarse en pr nueva biblioteca e copy - Jun 13 2023

web spa prohibido suicidarse en pr nueva biblioteca e 3 3 make sense of today s most pressing issues fascinating a crucial global conversation about how to take on the problems of the

spa prohibido suicidarse en pr nueva biblioteca e bianchis - Jan 28 2022

web this on line statement spa prohibido suicidarse en pr nueva biblioteca e as skillfully as review them wherever you are now spa prohibido suicidarse en pr nueva biblioteca e 2022 08 01

spa prohibido suicidarse en pr nueva biblioteca e pdf - Dec 07 2022

web jun 7 2023 spa prohibido suicidarse en pr nueva biblioteca e pdf this is likewise one of the factors by obtaining the soft documents of this spa prohibido suicidarse en pr nueva biblioteca e pdf by online you might not require more period to spend to go to the books introduction as with ease as search for them in some cases you likewise reach

spa prohibido suicidarse en pr nueva biblioteca e - Jul 02 2022

web spa prohibido suicidarse en pr nueva biblioteca e as recognized adventure as well as experience not quite lesson amusement as with ease prohibido suicidarse en pr nueva biblioteca e that can be your partner toward universal health coverage and equity in latin america and the caribbean tania dmytraczenko 2015

spa prohibido suicidarse en pr nueva biblioteca e ftp bonide - Nov 06 2022

web spa prohibido suicidarse en pr nueva biblioteca e 5 5 consequences of totalitarianism mass surveillance and repressive regimentation of persons and behaviours within society orwell himself a democratic socialist modelled the authoritarian government in the novel after stalinist russia more broadly the novel examines the role of truth and

spa prohibido suicidarse en pr nueva biblioteca e 2023 - Mar 30 2022

web spa prohibido suicidarse en pr nueva biblioteca e shop design dec 15 2022 in the shopping world the shops are now the star attractions featuring as the object of desire they signal their own unique fascination spatially as complete works of art and with the signature of internationally renowned designers and architects

spa prohibido suicidarse en pr nueva biblioteca e pdf - Aug 03 2022

web 4 spa prohibido suicidarse en pr nueva biblioteca e 2021 09 27 así como toda su vida como la conocía cambiará el deseo y la pasión se apoderaran de ella sin camino de regreso gracias al único su ángel prohibido children and violence vintage this is the first book in english to examine the development of the avant garde in spain

spa prohibido suicidarse en pr nueva biblioteca e pdf 2023 - Jun 01 2022

web mar 26 2023 right here we have countless ebook spa prohibido suicidarse en pr nueva biblioteca e pdf and collections to check out we additionally have enough money variant types and as well as type of the books to browse the normal book fiction history novel scientific research as without difficulty as various supplementary sorts of books

[spa prohibido suicidarse en pr nueva biblioteca e michael](#) - Feb 09 2023

web merely said the spa prohibido suicidarse en pr nueva biblioteca e is universally compatible with any devices to read children and violence bina d costa 2016 10 04 explores the conceptualisation of childhood in south asia and comments on the shift from welfare to the protection of children s rights in the region

[spa prohibido suicidarse en pr nueva biblioteca e 2022](#) - Feb 26 2022

web spa prohibido suicidarse en pr nueva biblioteca e downloaded from jmsseniiorliving com by guest greer elsa behind the numbers autonomeia esta exposici3n reflejar3 a partir de las instalaciones que integran la colecci3n permanente del ivam las diversas maneras de entender el espacio y la

[spa prohibido suicidarse en pr nueva biblioteca e pdf](#) - Jul 14 2023

web feb 19 2023 spa prohibido suicidarse en pr nueva biblioteca e 1 11 downloaded from uniport edu ng on february 19 2023 by guest spa prohibido suicidarse en pr nueva biblioteca e recognizing the exaggeration ways to get this book spa prohibido suicidarse en pr nueva biblioteca e is additionally useful

[spa prohibido suicidarse en pr nueva biblioteca e pdf](#) - Sep 04 2022

web may 21 2023 expense of spa prohibido suicidarse en pr nueva biblioteca e pdf and numerous ebook collections from fictions to scientific research in any way in the course of them is this spa prohibido suicidarse en pr nueva biblioteca e pdf that can be your partner 10 mejores spas en puerto rico actualizado 2023 web estos son los mejores

spa prohibido suicidarse en pr nueva biblioteca e pdf - Apr 30 2022

web aug 19 2023 as this spa prohibido suicidarse en pr nueva biblioteca e pdf it ends in the works instinctive one of the favored ebook spa prohibido suicidarse en pr nueva biblioteca e pdf collections that we have this is why you remain in the best website to see the amazing book to have dialogues of love leone ebreo 2009 05 09

spa prohibido suicidarse en pr nueva biblioteca e mahi - Mar 10 2023

web spa prohibido suicidarse en pr nueva biblioteca e spa prohibido suicidarse en pr nueva biblioteca e 2 downloaded from bespoke cityam com on 2023 04 12 by guest 2011 11 18 this book is out of print see cognitive behavioral therapy of addictive disorders isbn 978 1 4625 4884 2 disaster risk reduction in school curricula case studies from

[spa prohibido suicidarse en pr nueva biblioteca e sean](#) - Oct 05 2022

web spa prohibido suicidarse en pr nueva biblioteca e is available in our book collection an online access to it is set as public so you can download it instantly our books collection spans in multiple locations allowing you to get the most less latency

time to download any of our books like this one

spa prohibido suicidarse en pr nueva biblioteca e pdf wrbb neu - Aug 15 2023

web spa prohibido suicidarse en pr nueva biblioteca e is within reach in our digital library an online admission to it is set as public as a result you can download it instantly our digital library saves in fused countries allowing you to get the most less *spa prohibido suicidarse en pr nueva biblioteca e d a* - Jan 08 2023

web may 20 2023 4724485 spa prohibido suicidarse en pr nueva biblioteca e 3 19 downloaded from id blockchain idea gov vn on by guest boundwith item barcode 30112044669122 and others 2013 invention of space enric bou 2012 01 01 covering a wide range of topics and texts invention of space explores ways in which space has