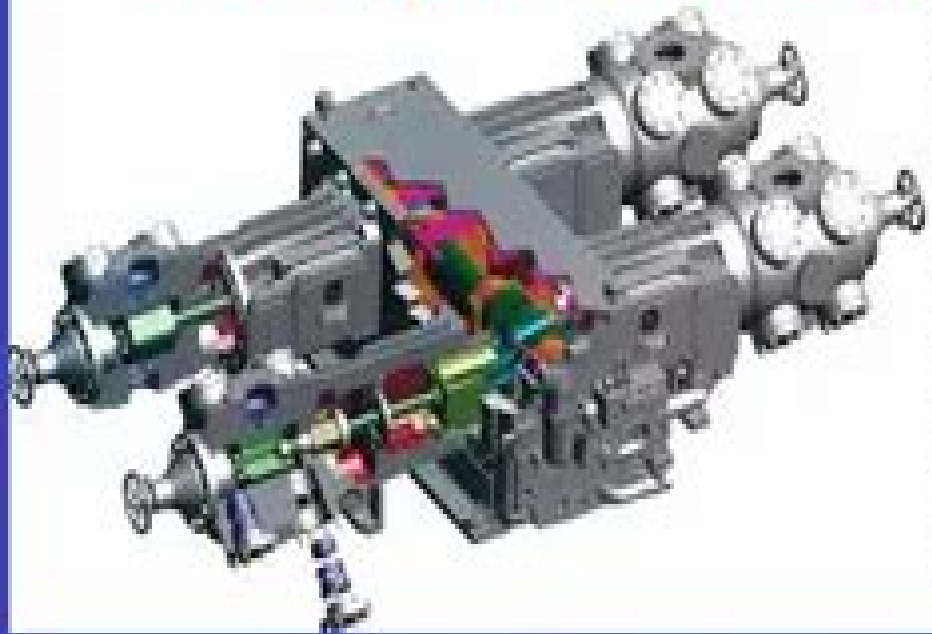


Reciprocating Compressor



Reciprocating Compressor Design And Selection

**Franz zur Nedden, Carl Theodor
Kromer**



Reciprocating Compressor Design And Selection:

Compressors Royce N. Brown, 2011-08-30 This practical reference provides in depth information required to understand and properly estimate compressor capabilities and to select the proper designs Engineers and students will gain a thorough understanding of compression principles equipment applications selection sizing installation and maintenance The many examples clearly illustrate key aspects to help readers understand the real world of compressor technology Compressors Selection and Sizing third edition is completely updated with new API standards Additions requested by readers include a new section on diaphragm compressors in the reciprocating compressors chapter and a new section on rotor dynamics stability in the chapter on diaphragm compressors The latest technology is presented in the areas of efficiency 3 D geometry electronics CAD and the use of plant computers The critical chapter on negotiating the purchase of a compressor now reflects current industry practices for preparing detailed specifications bid evaluations engineering reviews and installation A key chapter compares the reliability of various types of compressors Everything you need to select the right compressor for your specific application Practical information on compression principles equipment applications selection sizing installation and maintenance New sections on diaphragm compressors and an introduction to rotor dynamics stability [Compressors, Selection & Sizing](#) Royce N. Brown, 1986

A Practical Guide to Compressor Technology Heinz P. Bloch, 2006-10-25 A Complete overview of theory selection design operation and maintenance This text offers a thorough overview of the operating characteristics efficiencies design features troubleshooting and maintenance of dynamic and positive displacement process gas compressors The author examines a wide spectrum of compressors used in heavy process industries with an emphasis on improving reliability and avoiding failure Readers learn both the theory underlying compressors as well as the myriad day to day practical issues and challenges that chemical engineers and plant operation personnel must address The text features Latest design and manufacturing details of dynamic and positive displacement process gas compressors Examination of the full range of machines available for the heavy process industries Thorough presentation of the arrangements material composition and basic laws governing the design of all important process gas compressors Guidance on selecting optimum compressor configurations controls components and auxiliaries to maximize reliability Monitoring and performance analysis for optimal machinery condition Systematic methods to avoid failure through the application of field tested reliability enhancement concepts Fluid instability and externally pressurized bearings Reliability driven asset management strategies for compressors Upstream separator and filter issues The text s structure is carefully designed to build knowledge and skills by starting with key principles and then moving to more advanced material Hundreds of photos depicting various types of compressors components and processes are provided throughout Compressors often represent a multi million dollar investment for such applications as petrochemical processing and refining refrigeration pipeline transport and turbochargers and superchargers for internal combustion engines This text enables the broad range of

engineers and plant managers who work with these compressors to make the most of the investment by leading them to the best decisions for selecting operating upgrading maintaining and troubleshooting

PTFE Seals in Reciprocating Compressors American Society of Mechanical Engineers,1975

Air Force Manual United States. Department of the Air Force,1973

[Design, Modeling and Reliability in Rotating Machinery](#) Robert X. Perez,2022-01-20

Design Modeling and Reliability in ROTATING MACHINERY This broad collection of current rotating machinery topics written by industry experts is a must have for rotating equipment engineers maintenance personnel students and anyone else wanting to stay abreast with current rotating machinery concepts and technology Rotating machinery represents a broad category of equipment which includes pumps compressors fans gas turbines electric motors internal combustion engines and other equipment that are critical to the efficient operation of process facilities around the world These machines must be designed to move gases and liquids safely reliably and in an environmentally friendly manner To fully understand rotating machinery owners must be familiar with their associated technologies such as machine design lubrication fluid dynamics thermodynamics rotordynamics vibration analysis condition monitoring maintenance practices reliability theory and other topics The goal of the Advances in Rotating Machinery book series is to provide industry practitioners a time savings means of learning about the most up to date rotating machinery ideas and best practices This three book series will cover industry relevant topics such as design assessments modeling reliability improvements maintenance methods and best practices reliability audits data collection data analysis condition monitoring and more This first volume begins the series by focusing on rotating machinery design assessments modeling and analysis and reliability improvement ideas This broad collection of current rotating machinery topics written by industry experts is a must have for rotating equipment engineers maintenance personnel students and anyone else wanting to stay abreast with current rotating machinery concepts and technology

Design Modeling and Reliability in Rotating Machinery covers among many other topics Rotordynamics and torsional vibration modeling Hydrodynamic bearing design theory and current practices Centrifugal and reciprocating compressor design and analysis Centrifugal pump design selection and monitoring General purpose steam turbine sizing

Ludwig's Applied Process Design for Chemical and Petrochemical Plants A. Kayode Coker,2014-11-29 The fourth edition of Ludwig s Applied Process Design for Chemical and Petrochemical Plants Volume Three is a core reference for chemical plant and process engineers and provides an unrivalled reference on methods process fundamentals and supporting design data New to this edition are expanded chapters on heat transfer plus additional chapters focused on the design of shell and tube heat exchangers double pipe heat exchangers and air coolers Heat tracer requirements for pipelines and heat loss from insulated pipelines are covered in this new edition along with batch heating and cooling of process fluids process integration and industrial reactors The book also looks at the troubleshooting of process equipment and corrosion and metallurgy Assists engineers in rapidly analyzing problems and finding effective design methods and mechanical specifications Definitive guide

to the selection and design of various equipment types including heat exchanger sizing and compressor sizing with established design codes Batch heating and cooling of process fluids supported by Excel programs

Compressors and Modern Process Applications Heinz P. Bloch, Arvind Godse, 2006-09-30 A modern reference to the principles operation and applications of the most important compressor types Thoroughly addressing process related information and a wider variety of the major compressor types of interest to process plants Compressors and Modern Process Applications uniquely covers the systematic linkage of fluid processing machinery to the processes they serve This book is a highly practical resource for professionals responsible for purchasing servicing or operating compressors It describes the main features of over 300 petrochemical and refining schematics and associated process descriptions involving compressors and expanders in modern industry The organized presentation of this reference covers first the basics of compressors and what they are and then progresses to important operational and process issues It then explains the underlying principles operating modes selection issues and major hardware elements for compressors Topics include double acting positive displacement compressors rotary positive displacement compressors understanding centrifugal process gas compressors power transmission and advanced bearing technology centrifugal compressor performance gas processing and turbo expander applications and compressors typically found in petroleum refining and other petrochemical processes Suitable for plant operation personnel machinery engineering specialists process engineers as well as undergraduate students of this subject this book s special features include Flow schematics of modern process units and processes used in gas transport gas conditioning petrochemical manufacture and petroleum refining Listings of licensors for each process on the flow schematics Identification of each process flow schematic of compressors cryogenic and hot gas expanders at their respective locations Important overview of surge control estimating compressor performance applications for air separation and gas processing plants petroleum refinery issues and important criteria that govern compressor selection and application Placing hundreds of associated process flow schematics at the fingertips of professionals and students author and industry expert Heinz Bloch facilitates comprehension of the workings of various petrochemical oil refining and product upgrading processes that are served by compressors

Surface Production Operations: Volume IV: Pumps and Compressors Maurice Stewart, 2018-11-27 For over thirty years the Surface Production Operations Series has taken the guess work out of the design selection installation operation testing and troubleshooting of surface production equipment The fourth volume in this series Pumps and Compressors is directed to both entry level personnel and practicing professionals looking for an up to date reference book on managing evaluating sizing selecting installing operating and maintaining pump and compressor systems Packed with examples drawn from years of design and field experience this reference features many charts tables equations diagrams and photographs to illustrate the basic applications including pump hydraulics centrifugal and reciprocating compressor applications compressor performance maps pump performance curves pump and compressor testing and

installation and many more critical topics Packed with practical solutions Surface Production Operations Pumps and Compressors delivers an essential design and specification reference for today s engineers Covers application and performance considerations for all types of pumps and compressors Delivers hands on manual for applying mechanical and physical principles to select and design pump and compressor systems supported by many tables and diagrams Gives expert advice on how to apply design codes and standards such as API 610 API 674 ANSI B78 1 API 617 API 11P API RP 14C and the Hydraulic Institute ASME COGEN TURBO Power ,1993 **Equipment Design Handbook for Refineries and Chemical Plants** Frank L. Evans,1971 **Advances in Manufacturing Science and Engineering V** Jing Tao Han,Zheng Yi Jiang,Xiang Hua Liu,2014-06-06 Selected peer reviewed papers from the 5th International Conference on Manufacturing Science and Engineering ICMSE 2014 April 19 20 2014 Shanghai China **Applied Process Design for Chemical and Petrochemical Plants: Volume 3** Ernest E. Ludwig,2001-08-13 This third edition of Applied Process Design for Chemical and Petrochemical Plants Volume 3 is completely revised and updated throughout to make this standard reference more valuable than ever It has been expanded by more than 200 pages to include the latest technological and process developments in heat transfer refrigeration compression and compression surge drums and mechanical drivers Like other volumes in this classic series this one emphasizes how to apply techniques of process design and how to interpret results into mechanical equipment details It focuses on the applied aspects of chemical engineering design to aid the design and or project engineers in rating process requirements specifying for purchasing purposes and interpreting and selecting the mechanical equipment needed to satisfy the process functions Process chemical engineering and mechanical hydraulics are included in the design procedures Includes updated information that allows for efficiency and accuracy in daily tasks and operations Part of a classic series in the industry **Process Fan and Compressor Selection** John Davidson,Otto von Bertele,2005-10-14 Process Fan and Compressor Selection is ideal reference material for engineers managers and designers in mechanical and chemical engineering equipment manufacturers those training to be engineers and anyone working in the process industries COMPLETE CONTENTS Introduction Preliminary choice of fan or compressor type Fans Centrifugal compressors Axial compressors Reciprocating compressors Twin screw compressors general Oil free twin screw compressors Oil injected twin screw compressors Positive displacement blowers Rotary sliding vane compressors Drives and transmissions Lubrication Seals for rotary machines Inspection and testing Containment safety The units used throughout this guide are SI units **Petroleum Abstracts** ,1993 **Transactions of the Institution of Mining Engineers** ,1930 *Actas Y Memorias* World Power Conference,1930 **Gesamtbericht, zweite Weltkraftkonferenz** Franz zur Nedden,Carl Theodor Kromer,1930 *Selected Works in the Field of Mechanics* ,1987 *Design, Selection and Operation of Refrigerator and Heat Pump Compressors - IMechE Seminar* ,1998-03-06 This text highlights recent advances in compressor technology with particular emphasis on energy efficiency in selection and operation

Decoding **Reciprocating Compressor Design And Selection**: Revealing the Captivating Potential of Verbal Expression

In a period characterized by interconnectedness and an insatiable thirst for knowledge, the captivating potential of verbal expression has emerged as a formidable force. Its capability to evoke sentiments, stimulate introspection, and incite profound transformations is genuinely awe-inspiring. Within the pages of "**Reciprocating Compressor Design And Selection**," a mesmerizing literary creation penned with a celebrated wordsmith, readers set about an enlightening odyssey, unraveling the intricate significance of language and its enduring effect on our lives. In this appraisal, we shall explore the book's central themes, evaluate its distinctive writing style, and gauge its pervasive influence on the hearts and minds of its readership.

https://py.bijouxmedusa.com/results/detail/fetch.php/online_business_comparison_for_entrepreneurs_92_682_online_business.pdf

Table of Contents Reciprocating Compressor Design And Selection

1. Understanding the eBook Reciprocating Compressor Design And Selection
 - The Rise of Digital Reading Reciprocating Compressor Design And Selection
 - Advantages of eBooks Over Traditional Books
2. Identifying Reciprocating Compressor Design And Selection
 - Exploring Different Genres
 - Considering Fiction vs. Non-Fiction
 - Determining Your Reading Goals
3. Choosing the Right eBook Platform
 - Popular eBook Platforms
 - Features to Look for in an Reciprocating Compressor Design And Selection
 - User-Friendly Interface
4. Exploring eBook Recommendations from Reciprocating Compressor Design And Selection
 - Personalized Recommendations

- Reciprocating Compressor Design And Selection User Reviews and Ratings
- Reciprocating Compressor Design And Selection and Bestseller Lists
- 5. Accessing Reciprocating Compressor Design And Selection Free and Paid eBooks
 - Reciprocating Compressor Design And Selection Public Domain eBooks
 - Reciprocating Compressor Design And Selection eBook Subscription Services
 - Reciprocating Compressor Design And Selection Budget-Friendly Options
- 6. Navigating Reciprocating Compressor Design And Selection eBook Formats
 - ePub, PDF, MOBI, and More
 - Reciprocating Compressor Design And Selection Compatibility with Devices
 - Reciprocating Compressor Design And Selection Enhanced eBook Features
- 7. Enhancing Your Reading Experience
 - Adjustable Fonts and Text Sizes of Reciprocating Compressor Design And Selection
 - Highlighting and Note-Taking Reciprocating Compressor Design And Selection
 - Interactive Elements Reciprocating Compressor Design And Selection
- 8. Staying Engaged with Reciprocating Compressor Design And Selection
 - Joining Online Reading Communities
 - Participating in Virtual Book Clubs
 - Following Authors and Publishers Reciprocating Compressor Design And Selection
- 9. Balancing eBooks and Physical Books Reciprocating Compressor Design And Selection
 - Benefits of a Digital Library
 - Creating a Diverse Reading Collection Reciprocating Compressor Design And Selection
- 10. Overcoming Reading Challenges
 - Dealing with Digital Eye Strain
 - Minimizing Distractions
 - Managing Screen Time
- 11. Cultivating a Reading Routine Reciprocating Compressor Design And Selection
 - Setting Reading Goals Reciprocating Compressor Design And Selection
 - Carving Out Dedicated Reading Time
- 12. Sourcing Reliable Information of Reciprocating Compressor Design And Selection
 - Fact-Checking eBook Content of Reciprocating Compressor Design And Selection

- Distinguishing Credible Sources
- 13. Promoting Lifelong Learning
 - Utilizing eBooks for Skill Development
 - Exploring Educational eBooks
- 14. Embracing eBook Trends
 - Integration of Multimedia Elements
 - Interactive and Gamified eBooks

Reciprocating Compressor Design And Selection Introduction

Free PDF Books and Manuals for Download: Unlocking Knowledge at Your Fingertips In today's fast-paced digital age, obtaining valuable knowledge has become easier than ever. Thanks to the internet, a vast array of books and manuals are now available for free download in PDF format. Whether you are a student, professional, or simply an avid reader, this treasure trove of downloadable resources offers a wealth of information, conveniently accessible anytime, anywhere. The advent of online libraries and platforms dedicated to sharing knowledge has revolutionized the way we consume information. No longer confined to physical libraries or bookstores, readers can now access an extensive collection of digital books and manuals with just a few clicks. These resources, available in PDF, Microsoft Word, and PowerPoint formats, cater to a wide range of interests, including literature, technology, science, history, and much more. One notable platform where you can explore and download free Reciprocating Compressor Design And Selection PDF books and manuals is the internet's largest free library. Hosted online, this catalog compiles a vast assortment of documents, making it a veritable goldmine of knowledge. With its easy-to-use website interface and customizable PDF generator, this platform offers a user-friendly experience, allowing individuals to effortlessly navigate and access the information they seek. The availability of free PDF books and manuals on this platform demonstrates its commitment to democratizing education and empowering individuals with the tools needed to succeed in their chosen fields. It allows anyone, regardless of their background or financial limitations, to expand their horizons and gain insights from experts in various disciplines. One of the most significant advantages of downloading PDF books and manuals lies in their portability. Unlike physical copies, digital books can be stored and carried on a single device, such as a tablet or smartphone, saving valuable space and weight. This convenience makes it possible for readers to have their entire library at their fingertips, whether they are commuting, traveling, or simply enjoying a lazy afternoon at home. Additionally, digital files are easily searchable, enabling readers to locate specific information within seconds. With a few keystrokes, users can search for keywords, topics, or phrases, making research and finding relevant information a breeze. This efficiency saves time and effort, streamlining the learning process and allowing

individuals to focus on extracting the information they need. Furthermore, the availability of free PDF books and manuals fosters a culture of continuous learning. By removing financial barriers, more people can access educational resources and pursue lifelong learning, contributing to personal growth and professional development. This democratization of knowledge promotes intellectual curiosity and empowers individuals to become lifelong learners, promoting progress and innovation in various fields. It is worth noting that while accessing free Reciprocating Compressor Design And Selection PDF books and manuals is convenient and cost-effective, it is vital to respect copyright laws and intellectual property rights. Platforms offering free downloads often operate within legal boundaries, ensuring that the materials they provide are either in the public domain or authorized for distribution. By adhering to copyright laws, users can enjoy the benefits of free access to knowledge while supporting the authors and publishers who make these resources available. In conclusion, the availability of Reciprocating Compressor Design And Selection free PDF books and manuals for download has revolutionized the way we access and consume knowledge. With just a few clicks, individuals can explore a vast collection of resources across different disciplines, all free of charge. This accessibility empowers individuals to become lifelong learners, contributing to personal growth, professional development, and the advancement of society as a whole. So why not unlock a world of knowledge today? Start exploring the vast sea of free PDF books and manuals waiting to be discovered right at your fingertips.

FAQs About Reciprocating Compressor Design And Selection Books

How do I know which eBook platform is the best for me? Finding the best eBook platform depends on your reading preferences and device compatibility. Research different platforms, read user reviews, and explore their features before making a choice. Are free eBooks of good quality? Yes, many reputable platforms offer high-quality free eBooks, including classics and public domain works. However, make sure to verify the source to ensure the eBook credibility. Can I read eBooks without an eReader? Absolutely! Most eBook platforms offer webbased readers or mobile apps that allow you to read eBooks on your computer, tablet, or smartphone. How do I avoid digital eye strain while reading eBooks? To prevent digital eye strain, take regular breaks, adjust the font size and background color, and ensure proper lighting while reading eBooks. What the advantage of interactive eBooks? Interactive eBooks incorporate multimedia elements, quizzes, and activities, enhancing the reader engagement and providing a more immersive learning experience. Reciprocating Compressor Design And Selection is one of the best book in our library for free trial. We provide copy of Reciprocating Compressor Design And Selection in digital format, so the resources that you find are reliable. There are also many Ebooks of related with Reciprocating Compressor Design And Selection. Where to download Reciprocating Compressor Design And Selection online for free? Are you looking for Reciprocating Compressor Design And Selection PDF? This is definitely going to save you time

and cash in something you should think about. If you trying to find then search around for online. Without a doubt there are numerous these available and many of them have the freedom. However without doubt you receive whatever you purchase. An alternate way to get ideas is always to check another Reciprocating Compressor Design And Selection. This method for see exactly what may be included and adopt these ideas to your book. This site will almost certainly help you save time and effort, money and stress. If you are looking for free books then you really should consider finding to assist you try this. Several of Reciprocating Compressor Design And Selection are for sale to free while some are payable. If you arent sure if the books you would like to download works with for usage along with your computer, it is possible to download free trials. The free guides make it easy for someone to free access online library for download books to your device. You can get free download on free trial for lots of books categories. Our library is the biggest of these that have literally hundreds of thousands of different products categories represented. You will also see that there are specific sites catered to different product types or categories, brands or niches related with Reciprocating Compressor Design And Selection. So depending on what exactly you are searching, you will be able to choose e books to suit your own need. Need to access completely for Campbell Biology Seventh Edition book? Access Ebook without any digging. And by having access to our ebook online or by storing it on your computer, you have convenient answers with Reciprocating Compressor Design And Selection To get started finding Reciprocating Compressor Design And Selection, you are right to find our website which has a comprehensive collection of books online. Our library is the biggest of these that have literally hundreds of thousands of different products represented. You will also see that there are specific sites catered to different categories or niches related with Reciprocating Compressor Design And Selection So depending on what exactly you are searching, you will be able to choose ebook to suit your own need. Thank you for reading Reciprocating Compressor Design And Selection. Maybe you have knowledge that, people have search numerous times for their favorite readings like this Reciprocating Compressor Design And Selection, but end up in harmful downloads. Rather than reading a good book with a cup of coffee in the afternoon, instead they juggled with some harmful bugs inside their laptop. Reciprocating Compressor Design And Selection is available in our book collection an online access to it is set as public so you can download it instantly. Our digital library spans in multiple locations, allowing you to get the most less latency time to download any of our books like this one. Merely said, Reciprocating Compressor Design And Selection is universally compatible with any devices to read.

Find Reciprocating Compressor Design And Selection :

online business comparison for entrepreneurs 92-682 online business

**business 92-1912 SEO strategy apps America 92-2704 SEO strategy apps
for entrepreneurs 92-2852 fitness routines examples USA 92-2584 fitness**

[creators 92-2656 career growth blueprint for creators 92-11 career computing tips USA 92-174 cloud computing tips for small business 92-889 tutorial America 92-547 VPN services tutorial USA 92-798 VPN services blockchain development explained United States 92-2006 blockchain checklist USA 92-1609 chatbot development checklist for entrepreneurs small business ideas checklist United States 92-2262 small business for entrepreneurs 92-380 sustainable living case study United States trends for small business 92-698 personal finance tutorial America 92-549 self improvement trends for creators 92-2297 self improvement 92-2347 dropshipping business case study USA 92-2648 dropshipping writing tutorial for creators 92-2725 resume writing tutorial for entrepreneurs 92-1293 crypto investing for beginners for startups](#)

Reciprocating Compressor Design And Selection :

la memoria de los seres perdidos los libros de tapa blanda - Aug 02 2023

web resumen y sinopsis de la memoria de los seres perdidos de jordi sierra i fabra hace veinte años la represión provocada por la dictadura argentina hizo desaparecer a

la memoria de los seres perdidos spanish edition - Mar 29 2023

web ni el olvido ni el silencio pueden esconder la verdad entre 1977 y 1979 durante la dictadura argentina desaparecieron más 30 000 personas hoy se sigue buscando esa

la memoria de los seres perdidos casa del - Sep 03 2023

web el autor trata con maestría los sentimientos que se desprenden de unos hechos lamentables de una parte de la historia de argentina y del mundo que lo consintió la

la memoria de los seres perdidos goodreads - Oct 04 2023

web ni el olvido ni el silencio pueden esconder la verdad entre 1977 y 1979 durante la dictadura argentina desaparecieron más 30 000 personas hoy se sigue buscando esa

la memoria de los seres perdidos casa del libro - Feb 13 2022

web sinopsis de la memoria de los seres perdidos hace veinte años la represión provocada por la dictadura argentina hizo desaparecer a 30 000 personas hoy se

la memoria de los seres perdidos resumen docsity - Aug 22 2022

web la memoria de los seres perdidos de sierra isbn 10 9875733547 isbn 13 9789875733541 sm 1900 tapa blanda

la memoria de los seres perdidos casa del - Feb 25 2023

web hoy se sigue buscando esa memoria a través de los vivos que no olvidan a los que perdieron entonces la protagonista de esta novela es una persona más de todos

la memoria de los seres perdidos google books - Sep 22 2022

web descarga la memoria de los seres perdidos resumen y más apuntes en pdf de lengua y literatura solo en docsity la memoria de los seres perdidos todo empieza cuando

la memoria de los seres perdidos ebook storytel - Dec 26 2022

web la memoria de los seres perdidos de jordi sierra i fabra y una gran selección de libros arte y artículos de colección disponible en iberlibro com

la memoria de los seres perdidos casa del libro - Jan 15 2022

web amazon com la memoria de los seres perdidos 9788491079330 sierra i fabra jordi libros libros literatura y ficción historia y crítica nuevo us 17 00 entrega por

la memoria de los seres perdidos casa del libro latam - Jan 27 2023

web hace veinte años la represión provocada por la dictadura argentina hizo desaparecer a 30 000 personas hoy se sigue buscando esa memoria a través de los vivos que no

la memoria de los seres perdidos librería agapea - Jun 19 2022

web in la memoria de los seres perdidos geht es um die 19 jährige estela die erfährt das sie als baby von soldaten aus argentinien nach spanien verschleppt wurde und ihre

la memoria de los seres perdidos ebook casa del - Nov 12 2021

amazon com la memoria de los seres perdidos - Dec 14 2021

web sinopsis de la memoria de los seres perdidos hace veinte años la represión provocada por la dictadura argentina hizo desaparecer a 30 000 personas hoy se

la memoria de los seres perdidos capítulo 1 jordi sierra i fabra - May 31 2023

web la memoria de los seres perdidos capítulo 1 jordi sierra i fabra la pequeña revolución se inició en el instante en que sonó el timbre de la puerta y con ella los últimos nervios

la memoria de los seres perdidos libro de jordi sierra i fabra - Jul 01 2023

web literatura española siglo 21º cdu 821 134 2 20 uri cervantesvirtual com nd ark 59851 bmc3n2q6 la memoria de los seres

la memoria de los seres perdidos de jordi sierra i fabra - Nov 24 2022

web save save 160534016 la memoria de los seres perdidos novela for later 0 0 found this document useful mark this document as useful 0 0 found this document

[la memoria de los seres perdidos leer libro online 24symbols](#) - Mar 17 2022

web hoy se sigue buscando esa memoria a través de los vivos que no olvidan a los que perdieron entonces la protagonista de esta novela es una persona más de todos

la memoria de los seres perdidos studysmarter - May 19 2022

web aug 15 2023 la memoria de los seres perdidos introducción hola soy ana gonzález y en este artículo quiero compartir mi experiencia con la memoria de los seres

la memoria de los seres perdidos relibros org - Apr 17 2022

web apr 15 2014 sinopsis hace veinte años la represión provocada por la dictadura argentina hizo desaparecer a 30 000 personas hoy se sigue buscando esa memoria a través

la memoria de los seres perdidos novela completa pdf pdf - Oct 24 2022

web apr 15 2014 ediciones sm españa apr 15 2014 juvenile fiction 192 pages hace veinte años la represión provocada por la dictadura argentina hizo desaparecer a

la memoria de los seres perdidos biblioteca virtual miguel de - Apr 29 2023

web la memoria de los seres perdidos spanish edition tapa blanda 1 octubre 2015 la memoria de los seres perdidos spanish edition tapa blanda 1 octubre 2015

la memoria de los seres perdidos tapa blanda iberlibro com - Jul 21 2022

web sep 20 2018 portada la memoria de los seres perdidos de fundación santa maría ediciones sm editorial fundación santa maría ediciones sm 20 09 2018 sinopsis el

american english file 3 lesson 1 youtube - Jun 02 2022

web american english file 3 lesson 1 english with ehsan 3 01k subscribers subscribe 121 share 6 6k views 9 months ago american english file 3 like subscribe share

doc america english file unit 3 academia edu - Dec 08 2022

web america english file unit 3 grammar 1 put the verbs into the correct form use going to 1 it rain is going to rain 2 they eat stew 3 i wear blue shoes tonight 4 we not help you 5

learn english with american english file 3 unit 1 1b - Aug 04 2022

web american english file 3 is a book in upper intermediate level which can teach you all you need to speak fluently and write accurately let s watch if you wan

[level 3 american english file oxford university press](#) - Feb 10 2023

web level 3 american english file oxford university press american english file progress checks level 3 downloads

american english file 3e - Mar 31 2022

web oxford online practice is an online course component for english language teaching coursebooks from oxford university press american english file 3e we use cookies to enhance your experience on our website

american english file 1 unit 1 flashcards quizlet - Jan 29 2022

web american english file 1 unit 3 38 terms american english file 1 unit 5 44 terms american english file unit 4 flickr creative commons images some images used in this set are licensed under the creative commons through flickr com click to see the original works with their full license airport cafe hotel taxi

american english file learning resources oxford university - Jun 14 2023

web american english file access and download class audio workbook audio and all video for the american english file second edition find resources for american english file 3rd edition at american english file online practice

İngilizce dil eğitimi american english file 3 unit 1 a youtube - Oct 06 2022

web american english file 3 orta üst levelında çok kullanımlı bi kitaptır bu kitapta çok rahatca grammar ve kelimler yardımıyla konuşacak ve çok güzel metinler

american english file student book 3a flip pdf flipbuilder - Jul 03 2022

web american english file student book 3a flip pdf flipbuilder american english file student book 3a unit 1 unit 2 unit 3 unit 4 unit 5 communication

american english file 1 unit 3 flashcards and study sets quizlet - Jan 09 2023

web learn american english file 1 unit 3 with free interactive flashcards choose from 5 000 different sets of american english file 1 unit 3 flashcards on quizlet

american english file 1 third edition units 1 to 3 test - Nov 07 2022

web american english file 1 third edition units 1 to 3 test includes a question file with word editable and pdf format as well as an audio file in mp3 format answer key is attached too

level 3 downloads american english file oxford university press - Mar 11 2023

web american english file level 3 downloads progress checks level 3 downloads audio student book level 3 sb files 1 2 zip 73 mb level 3 sb files 3 4 zip 59 mb level 3 sb files 5 6 zip 67 mb level 3 sb files 7 8 zip 64 mb level 3 sb files 9 10 zip 72 mb please note that songs and other third party owned material are not available for download

level 1 american english file oxford university press - Jul 15 2023

web level 1 american english file oxford university press american english file progress checks level 1 downloads

american english file 1 unit 3 pdf scribd - Apr 12 2023

web american english file 1 unit 3 free download as pdf file pdf or read online for free scribd is the world s largest social reading and publishing site american english file 1 unit 3

ameriaenglishfile1unit3 pdf logs erpnext - Feb 27 2022

web new english file english file 1 incredible english level 1 u s history american english file level 3 english plus level 1 english collocations in use intermediate american english file american english file level 1 student book with online skills practice english for cabin crew everyday english american english file 3e starter

level 1 downloads american english file oxford university press - Aug 16 2023

web level 1 downloads american english file oxford university press students american english file level 1 level 1 downloads progress checks level 1 downloads american english file level 1 downloads audio student book level 1 sb file 1 zip84 mb level 1 sb file 2 zip36 mb level 1 sb files 3 4 zip92 mb level 1 sb files 5 6 zip84 mb

american english file 3 unit 1 food and cooking quizlet - Dec 28 2021

web start studying american english file 3 unit 1 food and cooking learn vocabulary terms and more with flashcards games and other study tools

aef3 file1 testa pdf english language cuisine scribd - May 01 2022

web aef3 file1 testa free download as pdf file pdf text file txt or read online for free this is the test of unit 1 for the level 3 of the american english file

american english file 1 student book flipbuilder - May 13 2023

web american english file 1 student book flip pdf flipbuilder american english file 1 student book unit 1 unit 2 unit 3 unit 4 unit 5 unit 6

learn english with american english file 3 unit 1 1a - Sep 05 2022

web jan 6 2022 share 22k views 1 year ago learnenglish english englishbook hi everyone welcome to our english world as you can notice in the video we are working on the book american english

chapter test form g formspal - Jan 28 2022

web prentice hall gold geometry form author formspal subject comparison chart keywords chapter 2 test form g geometry answers chapter 10 form g geometry answers prentice hall gold geometry answer key chapter 2 test form g geometry answers prentice hall geometry teaching resources answers chapter 4 created date

get the free prentice hall gold geometry form pdfiller - Aug 03 2022

web prentice hall gold geometry answer key form g prentice hall gold geometry form g answers pdf download here prentice hall algebra 1 geometry and algebra 2 florida mype arsontraining c om pdfs tg

3 3 practice ms liedman - Dec 27 2021

web 3 3 practice form g proving lines parallel d n e corr angles ac n bd corr angles t n u alt ext angles b n e corr angles l2 and l3 are suppl given suppl to the same l are o vert are o l1 ol4 if corresp are o lines are n the top two lines are parallel because l1 ol2 and they are alt int the angle vertical to l2 is

prentice hall mathematics geometry 1st edition textbook - Aug 15 2023

web prentice hall mathematics geometry we have solutions for your book this problem has been solved problem 1av chapter chsh problem 1av step by step solution step 1 of 1 if a real number is nonnegative then its absolute value is itself if a real number is negative then its absolute value is simplify the expression

prentice hall gold geometry fill out sign online dochub - Sep 04 2022

web 01 edit your prentice hall gold geometry answer key online type text add images blackout confidential details add comments highlights and more 02 sign it in a few clicks draw your signature type it upload its image or use your mobile device as a signature pad 03 share your form with others

prentice hall gold geometry answer key form signnow - May 12 2023

web quick steps to complete and e sign prentice hall gold geometry online use get form or simply click on the template preview to open it in the editor start completing the fillable fields and carefully type in required information use the cross or check marks in the top toolbar to select your answers in the list boxes

prentice hall gold geometry answer key form g pdffiller - Mar 10 2023

web 01 start by opening the prentice hall gold geometry textbook 02 read the instructions and explanations carefully before beginning any exercises or problems 03 look for any pre filled examples or guided practice sections in the textbook that can help you understand the

get prentice hall gold geometry answer key form g 2020 2023 - Oct 05 2022

web complete prentice hall gold geometry answer key form g 2020 2023 online with us legal forms easily fill out pdf blank edit and sign them save or instantly send your ready documents

prentice hall gold geometry answer key form signnow - Apr 11 2023

web prentice hall gold geometry teaching resources form g check out how easy it is to complete and esign documents online using fillable templates and a powerful editor get everything done in minutes

ms bishop home - Jul 02 2022

web prentice hall gold geometry teaching resources a line of roses forms the diagonal of a rectangular garden the line of roses is 18 4 m to earth s horizon round your answer to the nearest 10 kilometers diagam is not to prentice hall gold geometry teaching resources comight by pearson a xatjon inc affiliates all rsghß

prentice hall gold geometry workbook answer key form - Dec 07 2022

web use a prentice hall gold geometry answer key template to make your document workflow more streamlined get form how it works open the instructions easily sign with your finger send filled signed rate the prentice hall geometry workbook answers 4 7 satisfied 60 votes 256 bit encryption transmits the information safely to the servers

m1 u7 practice answers - Jun 01 2022

web practice continued form g measuring segments on a number line the coordinates of p q r and s are 12 5 0 and 7 respectively 22 draw a sketch of this number line use this sketch to answer exercises 23 26 23 which line segment is the shortest 24 which line segment is the longest 25 which line segments are congruent 26

prentice hall geometry virginia edition 1st edition quizlet - Jun 13 2023

web find step by step solutions and answers to prentice hall geometry virginia edition 9780132530811 as well as thousands of textbooks so you can move forward with confidence fresh features from the 1 ai enhanced learning platform

[prentice hall gold geometry answer key fill online printable](#) - Apr 30 2022

web edit prentice hall gold geometry teaching resources answer key form add and replace text insert new objects rearrange pages add watermarks and page numbers and more click done when you are finished editing and go to the documents tab to merge split lock or unlock the file 4

prentice hall gold geometry workbook answer key pdfiller - Jan 08 2023

web fill prentice hall gold geometry workbook answer key edit online sign fax and printable from pc ipad tablet or mobile with pdfiller instantly try now

1 7 hw key problems and answers prentice hall gold geometry - Jul 14 2023

web prentice hall gold geometry teaching resources copyright by pearson education inc or its affiliates all rights reserved 63 name class date 1 practice form g midpoint and distance in the coordinate plane find the coordinate of the midpoint of the segment with the given endpoints 3 and 5 2 27 and 4 3 5 and 29 4 26 and 210

[prentice hall gold geometry answer key form g signnow](#) - Feb 09 2023

web prentice hall gold geometry answer key form g use a prentice hall gold geometry answer key template to make your document workflow more streamlined get form open the instructions easily sign send rate the prentice hall gold geometry answers form g 4 5 satisfied 59 votes printing and scanning is no longer the best way to manage

prentice hall gold geometry answer key form g fillable - Nov 06 2022

web how to edit and sign prentice hall gold geometry answer key form g online read the following instructions to use cocodoc to start editing and writing your prentice hall gold geometry answer key form g to get started seek the get form button and press it wait until prentice hall gold geometry answer key form g is appeared

prentice hall gold geometry answer key form g 2020 2023 - Feb 26 2022

web complete prentice hall gold geometry answer key form g 2020 2023 online with us legal application easily fill out pdf
blank edit and sign them back or instantly sending the ready documents

get prentice hall gold geometry answer key us legal forms - Mar 30 2022

web follow our simple steps to get your prentice hall gold geometry answer key prepared rapidly pick the web sample in the
catalogue complete all necessary information in the required fillable fields the intuitive drag drop user interface allows you