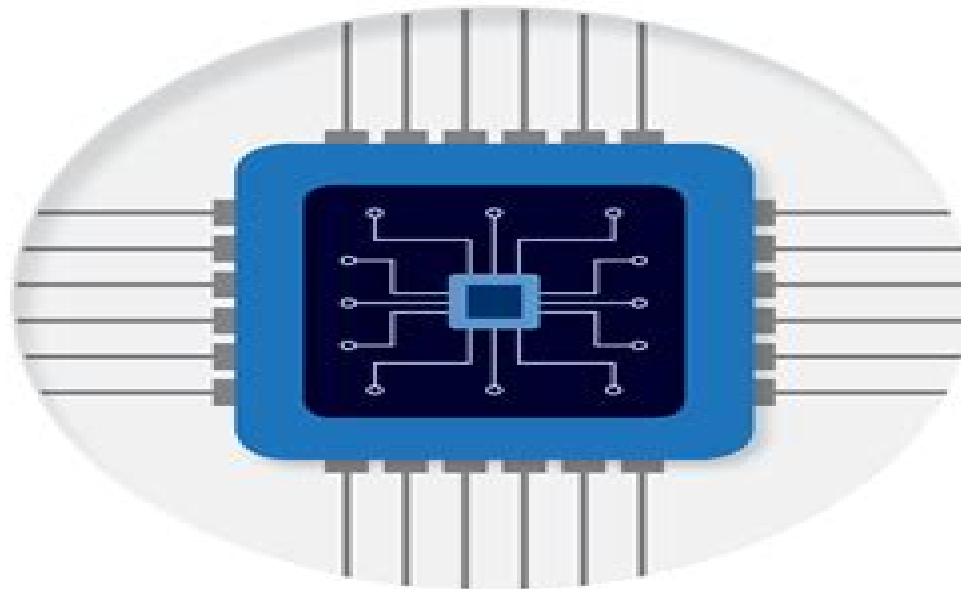


# SEDRA/SMITH

## Microelectronic Circuits

EIGHTH EDITION

ADEL S. SEDRA | KENNETH C. SMITH | TONY CHAN CARUSONE | VINCENT GAUDET



# Microelectronic Circuits 7th Edition

**Ying-Ying Zheng**



**Microelectronic Circuits 7th Edition:**

Recognizing the mannerism ways to get this ebook **Microelectronic Circuits 7th Edition** is additionally useful. You have remained in right site to start getting this info. get the Microelectronic Circuits 7th Edition link that we present here and check out the link.

You could purchase lead Microelectronic Circuits 7th Edition or acquire it as soon as feasible. You could speedily download this Microelectronic Circuits 7th Edition after getting deal. So, when you require the ebook swiftly, you can straight acquire it. Its consequently completely easy and so fats, isnt it? You have to favor to in this proclaim

[https://py.bijouxmedusa.com/book/virtual-library/Documents/project\\_management\\_a\\_managerial\\_approach\\_9th\\_edition.pdf](https://py.bijouxmedusa.com/book/virtual-library/Documents/project_management_a_managerial_approach_9th_edition.pdf)

## **Table of Contents Microelectronic Circuits 7th Edition**

1. Understanding the eBook Microelectronic Circuits 7th Edition
  - The Rise of Digital Reading Microelectronic Circuits 7th Edition
  - Advantages of eBooks Over Traditional Books
2. Identifying Microelectronic Circuits 7th Edition
  - Exploring Different Genres
  - Considering Fiction vs. Non-Fiction
  - Determining Your Reading Goals
3. Choosing the Right eBook Platform
  - Popular eBook Platforms
  - Features to Look for in an Microelectronic Circuits 7th Edition
  - User-Friendly Interface
4. Exploring eBook Recommendations from Microelectronic Circuits 7th Edition
  - Personalized Recommendations
  - Microelectronic Circuits 7th Edition User Reviews and Ratings
  - Microelectronic Circuits 7th Edition and Bestseller Lists
5. Accessing Microelectronic Circuits 7th Edition Free and Paid eBooks

- Microelectronic Circuits 7th Edition Public Domain eBooks
  - Microelectronic Circuits 7th Edition eBook Subscription Services
  - Microelectronic Circuits 7th Edition Budget-Friendly Options
6. Navigating Microelectronic Circuits 7th Edition eBook Formats
    - ePub, PDF, MOBI, and More
    - Microelectronic Circuits 7th Edition Compatibility with Devices
    - Microelectronic Circuits 7th Edition Enhanced eBook Features
  7. Enhancing Your Reading Experience
    - Adjustable Fonts and Text Sizes of Microelectronic Circuits 7th Edition
    - Highlighting and Note-Taking Microelectronic Circuits 7th Edition
    - Interactive Elements Microelectronic Circuits 7th Edition
  8. Staying Engaged with Microelectronic Circuits 7th Edition
    - Joining Online Reading Communities
    - Participating in Virtual Book Clubs
    - Following Authors and Publishers Microelectronic Circuits 7th Edition
  9. Balancing eBooks and Physical Books Microelectronic Circuits 7th Edition
    - Benefits of a Digital Library
    - Creating a Diverse Reading Collection Microelectronic Circuits 7th Edition
  10. Overcoming Reading Challenges
    - Dealing with Digital Eye Strain
    - Minimizing Distractions
    - Managing Screen Time
  11. Cultivating a Reading Routine Microelectronic Circuits 7th Edition
    - Setting Reading Goals Microelectronic Circuits 7th Edition
    - Carving Out Dedicated Reading Time
  12. Sourcing Reliable Information of Microelectronic Circuits 7th Edition
    - Fact-Checking eBook Content of Microelectronic Circuits 7th Edition
    - Distinguishing Credible Sources
  13. Promoting Lifelong Learning
    - Utilizing eBooks for Skill Development

- Exploring Educational eBooks
14. Embracing eBook Trends
- Integration of Multimedia Elements
  - Interactive and Gamified eBooks

### **Microelectronic Circuits 7th Edition Introduction**

In today's digital age, the availability of Microelectronic Circuits 7th Edition books and manuals for download has revolutionized the way we access information. Gone are the days of physically flipping through pages and carrying heavy textbooks or manuals. With just a few clicks, we can now access a wealth of knowledge from the comfort of our own homes or on the go. This article will explore the advantages of Microelectronic Circuits 7th Edition books and manuals for download, along with some popular platforms that offer these resources. One of the significant advantages of Microelectronic Circuits 7th Edition books and manuals for download is the cost-saving aspect. Traditional books and manuals can be costly, especially if you need to purchase several of them for educational or professional purposes. By accessing Microelectronic Circuits 7th Edition versions, you eliminate the need to spend money on physical copies. This not only saves you money but also reduces the environmental impact associated with book production and transportation. Furthermore, Microelectronic Circuits 7th Edition books and manuals for download are incredibly convenient. With just a computer or smartphone and an internet connection, you can access a vast library of resources on any subject imaginable. Whether you're a student looking for textbooks, a professional seeking industry-specific manuals, or someone interested in self-improvement, these digital resources provide an efficient and accessible means of acquiring knowledge. Moreover, PDF books and manuals offer a range of benefits compared to other digital formats. PDF files are designed to retain their formatting regardless of the device used to open them. This ensures that the content appears exactly as intended by the author, with no loss of formatting or missing graphics. Additionally, PDF files can be easily annotated, bookmarked, and searched for specific terms, making them highly practical for studying or referencing. When it comes to accessing Microelectronic Circuits 7th Edition books and manuals, several platforms offer an extensive collection of resources. One such platform is Project Gutenberg, a nonprofit organization that provides over 60,000 free eBooks. These books are primarily in the public domain, meaning they can be freely distributed and downloaded. Project Gutenberg offers a wide range of classic literature, making it an excellent resource for literature enthusiasts. Another popular platform for Microelectronic Circuits 7th Edition books and manuals is Open Library. Open Library is an initiative of the Internet Archive, a non-profit organization dedicated to digitizing cultural artifacts and making them accessible to the public. Open Library hosts millions of books, including both public domain works and contemporary titles. It also allows users to borrow digital copies of certain books for a limited period, similar to a library.

lending system. Additionally, many universities and educational institutions have their own digital libraries that provide free access to PDF books and manuals. These libraries often offer academic texts, research papers, and technical manuals, making them invaluable resources for students and researchers. Some notable examples include MIT OpenCourseWare, which offers free access to course materials from the Massachusetts Institute of Technology, and the Digital Public Library of America, which provides a vast collection of digitized books and historical documents. In conclusion, Microelectronic Circuits 7th Edition books and manuals for download have transformed the way we access information. They provide a cost-effective and convenient means of acquiring knowledge, offering the ability to access a vast library of resources at our fingertips. With platforms like Project Gutenberg, Open Library, and various digital libraries offered by educational institutions, we have access to an ever-expanding collection of books and manuals. Whether for educational, professional, or personal purposes, these digital resources serve as valuable tools for continuous learning and self-improvement. So why not take advantage of the vast world of Microelectronic Circuits 7th Edition books and manuals for download and embark on your journey of knowledge?

### FAQs About Microelectronic Circuits 7th Edition Books

1. Where can I buy Microelectronic Circuits 7th Edition books? Bookstores: Physical bookstores like Barnes & Noble, Waterstones, and independent local stores. Online Retailers: Amazon, Book Depository, and various online bookstores offer a wide range of books in physical and digital formats.
2. What are the different book formats available? Hardcover: Sturdy and durable, usually more expensive. Paperback: Cheaper, lighter, and more portable than hardcovers. E-books: Digital books available for e-readers like Kindle or software like Apple Books, Kindle, and Google Play Books.
3. How do I choose a Microelectronic Circuits 7th Edition book to read? Genres: Consider the genre you enjoy (fiction, non-fiction, mystery, sci-fi, etc.). Recommendations: Ask friends, join book clubs, or explore online reviews and recommendations. Author: If you like a particular author, you might enjoy more of their work.
4. How do I take care of Microelectronic Circuits 7th Edition books? Storage: Keep them away from direct sunlight and in a dry environment. Handling: Avoid folding pages, use bookmarks, and handle them with clean hands. Cleaning: Gently dust the covers and pages occasionally.
5. Can I borrow books without buying them? Public Libraries: Local libraries offer a wide range of books for borrowing. Book Swaps: Community book exchanges or online platforms where people exchange books.

6. How can I track my reading progress or manage my book collection? Book Tracking Apps: Goodreads, LibraryThing, and Book Catalogue are popular apps for tracking your reading progress and managing book collections. Spreadsheets: You can create your own spreadsheet to track books read, ratings, and other details.
7. What are Microelectronic Circuits 7th Edition audiobooks, and where can I find them? Audiobooks: Audio recordings of books, perfect for listening while commuting or multitasking. Platforms: Audible, LibriVox, and Google Play Books offer a wide selection of audiobooks.
8. How do I support authors or the book industry? Buy Books: Purchase books from authors or independent bookstores. Reviews: Leave reviews on platforms like Goodreads or Amazon. Promotion: Share your favorite books on social media or recommend them to friends.
9. Are there book clubs or reading communities I can join? Local Clubs: Check for local book clubs in libraries or community centers. Online Communities: Platforms like Goodreads have virtual book clubs and discussion groups.
10. Can I read Microelectronic Circuits 7th Edition books for free? Public Domain Books: Many classic books are available for free as they're in the public domain. Free E-books: Some websites offer free e-books legally, like Project Gutenberg or Open Library.

### Find Microelectronic Circuits 7th Edition :

*project management a managerial approach 9th edition*

principles and practices of teaching english as an international language new perspectives on language and education

**praxis core reading writing practice tests study guide for preparation for academic skills for educators 5712 5722**

programming microsoft linq in net framework 4 developer reference

*principles of vibration and sound*

*procedimientos en anestesia del massachusetts general hospital*

practically radical not so crazy ways to transform your company shake up industry and challenge yourself william c taylor

projeto de produto mike baxter

*prayer to break generational curses bob lucy ministries*

**principles of programming**

*praying for your husband from head to toe a daily guide to scripturebased prayer*

**principles of marketing kotler armstrong 9th edition**

principles of sustainable energy systems second edition by frank kreith

*principles of economics 7th edition n gregory mankiw pdf*  
**principios basicos de mecanica automotriz**

**Microelectronic Circuits 7th Edition :**

2006 mitsubishi eclipse accessories parts carid com - Jun 30 2022

web eclipse 06 parts manual browse and read eclipse 06 parts manual eclipse 06 parts manual new updated the latest book from a very famous author finally comes out book

*2006 mitsubishi eclipse repair manual online repairsurge* - Aug 13 2023

web jun 22 2019 component diagram a diagram of the component parts is provided near the front of each section in order to give the reader a better understanding of the installed

2006 mitsubishi eclipse service repair manual - Sep 14 2023

web step by step instructions service repair instructions specific to your 2006 mitsubishi eclipse comprehensive diagrams see how parts fit together so you can repair or

**2006 mitsubishi eclipse technical information manual** - Sep 02 2022

web mar 24 2019 2006 mitsubishi eclipse technical information manual 2006 600 automatic body brakes clutch eclipse electrical engine exhaust factory service manual fuel intake

*2006 mitsubishi eclipse repair manuals carid com* - Apr 09 2023

web rockauto ships auto parts and body parts from over 300 manufacturers to customers doors worldwide all at warehouse prices easy to use parts catalog 2006 mitsubishi

**eclipse 06 parts manual orientation sutd edu** - Feb 24 2022

web eclipse 06 parts manual 2014 04 10 2 14 eclipse 06 parts manual complete suzuki da16t truck series parts and illustrations service manual with 518 pages of illustrations and

mitsubishi workshop service and repair manuals eclipse v6 - Feb 07 2023

web dec 19 2017 when you are in need of a reliable replacement part for your 2006 mitsubishi eclipse to restore it to factory like performance turn to carid s vast selection of

2006 mitsubishi eclipse service repair manual pdf slideshare - Jun 11 2023

web manual eclipse 06 free download as pdf file pdf text file txt or read online for free

*2006 mitsubishi eclipse spyder service and repair manual* - Dec 05 2022

web feb 2 2017 english service manual to vehicles mitsubishi eclipse 2006 p agjt servicemanuals online mitsubishi 632 mitsubishi eclipse 2006

[2006 mitsubishi eclipse owner s manual in pdf](#) - Oct 15 2023

web 2006 mitsubishi eclipse owner s manual 100 free pdf customer reviews indicate that the 2006 mitsubishi eclipse is a fairly budget sports car mitsubishi owner s

[eclipse 06 parts manual help environment harvard edu](#) - Dec 25 2021

web notice about mitsubishi eclipse owners manual 2006 pdf download sometimes due server overload owners manual could not be loaded try to refresh or download newest

**eclipse 06 parts manual copy blue frog red frog** - Jan 26 2022

web eclipse 06 parts manual the publishers trade list annual jun 28 2021 perpetual trouble shooter s manual apr 14 2020 world outlook report 2006 2011 oct 21 2020

**mitsubishi eclipse repair service manuals 70 pdf s** - Oct 03 2022

web 4 thoughts on 2006 mitsubishi eclipse technical information manual sharon peterson says august 21 2015 at 1 59 pm my son has a 2006 mitsubishi eclipse with automatic

[2006 mitsubishi eclipse service repair manual issuu](#) - Jul 12 2023

web mar 24 2021 2006 mitsubishi eclipse service repair manual download as a pdf or view online for free *pdf manual eclipse 06 dokumen tips* - Apr 28 2022

web the following parts fit a 2006 mitsubishi eclipse edit go to my garage all auction buy it now 46 results brand type brand type country region of manufacture performance

[2006 mitsubishi eclipse parts rockauto](#) - Mar 08 2023

web model 2006 eclipse v6 subject warranty maintenance manual correction eclipse 3 8l mivec v6 intake valves purpose this bulletin

**mitsubishi eclipse owners manual 2006 pdf car owners manuals** - Nov 23 2021

*mitsubishi eclipse 2006 workshop service repair manual* - Nov 04 2022

web we have 70 mitsubishi eclipse manuals covering a total of 32 years of production in the table below you can see 0 eclipse workshop manuals 0 eclipse owners manuals and

*manual eclipse 06 pdf belt mechanical ignition system* - May 10 2023

web mitsubishi eclipse 2006 repair manual by haynes manuals this top grade product is expertly made in compliance with stringent industry standards to offer a fusion of a well

[eclipse 06 parts manual orientation sutd edu](#) - May 30 2022

web 8 3 2019 manual eclipse 06 1 6811c 1group 11cenginemechanicalcontentsgeneral description 11c 2engine diagnosis 11c

3special tools

[manual transmission parts for 2006 mitsubishi eclipse ebay](#) - Mar 28 2022

web eclipse 06 parts manual eclipse 06 parts manual mitsubishi eclipse owners manual 2006 pdf car owners manuals 2006 eclipse factory service manual tearstone

[2006 mitsubishi eclipse technical information manual](#) - Aug 01 2022

web aug 26 2021 2006 mitsubishi eclipse parts suspension brakes exhaust engine air intake a c heating driveline axles engine cooling steering fuel delivery

**2006 mitsubishi eclipse parts carid com** - Jan 06 2023

web check out our popular mitsubishi eclipse manuals below mitsubishi eclipse spyder 2003 2005 service and repair manual 1999 05 mitsubishi eclipse 6 cylinders 3 0l

[top 100 linux interview questions and answers 2023](#) - Apr 21 2022

web here we have compiled linux interview questions and answers and presented them in this blog based on the opinion of linux experts these interview questions will definitely help you in your interview we divided the interview questions into four categories as basic admin technical and command based questions

**30 most commonly asked linux interview questions tecmint** - May 03 2023

web apr 8 2023 most commonly asked questions in linux interviews james kiarie last updated april 8 2023 interview questions 1 comment if you have already achieved your linux certification and are looking forward to securing a linux job it pays a great deal to prepare for an interview that tests your knowledge of the ins and outs of linux

*15 linux interview questions with sample answers coursera* - Aug 06 2023

web jun 23 2023 15 linux interview questions and answers linux is an open source operating system that is considered faster and more efficient than other operating systems like windows here we give a range of technical and behavioral questions about linux so you can prepare for the interview all in one place technical questions

**top 60 linux interview questions and answers pdf in 2023** - May 23 2022

web oct 14 2023 top 60 linux interview questions and answers pdf in 2023 by mary brent updated october 14 2023 here are linux interview questions and answers for fresher as well as experienced candidates to get their dream job

*11 linux interview questions and answers codecademy* - Apr 02 2023

web dec 10 2021 1 what is linux here the interviewer is looking for an overview of what you know about linux note that linux is an open source operating system developed by linus torvalds some other points to consider mentioning include security including authentication features and file system access control multiprogramming system

**linux frequently asked questions with answers part 1 of 6 faqs** - Jun 23 2022

web mar 27 2014 1 introduction and general information 1 1 what is linux 1 2 how to get started 1 3 what software does linux support 1 4 how to find a particular application 1 5 what hardware is supported 1 6 ports to other processors 1 7 disk space requirements minimal server and workstation 1 8

**50 most asked linux interview questions answers ubuntu** - Aug 26 2022

web jan 26 2023 this article namely linux interview questions has focused on the crucial questions frequently asked at the linux job interview it would be helpful for linux applicants enthusiasts and amateur users who want to

**top 42 linux interview questions 2023 javatpoint** - Sep 26 2022

web top 62 linux interview questions a list of top frequently asked linux interview questions and answers are given below linux operating system internals 1 what is linux discuss its features linux is a unix based operating system linux torvalds first

**top 50 linux interview questions and answers in 2023 henry** - Jul 25 2022

web aug 20 2022 top 50 linux interview questions and answers in 2022 here we have compiled the 50 most common and important linux interview questions and answers which will be of immense help to excel in your interview

[top 50 linux interview questions answers 2023 intellipaat](#) - Feb 17 2022

web sep 2 2023 top 50 linux interview questions and answers by chandanp 5 9 k views 35 min read updated on september 2 2023 here we have compiled a set of most asked linux interview questions so that you can face the linux interview with confidence

**the most frequently asked questions about linux answered muo** - Mar 01 2023

web mar 30 2018 most of the software that runs on linux is free for you to download use edit and share as you wish the name linux is technically inaccurate many of the interfaces tools and software created for linux also run on other free operating systems such as freebsd much of what people say about linux also applies to these alternatives

**linux frequently asked questions with answers** - Jun 04 2023

web dec 4 2001 1 introduction and general information 1 1 what is linux 1 2 how to get started 1 3 what software does linux support 1 4 how to find a particular application 1 5 what hardware is supported 1 6 ports to other processors 1 7 disk space requirements minimal server and workstation 1 8 minimum and maximum memory

[top 35 linux commands interview questions with answers](#) - Nov 28 2022

web may 5 2023 during the interview process you can expect to be asked a range of questions about linux commands in this article we ll provide you with a comprehensive list of linux commands interview questions and answers to

**11 basic linux interview questions and answers tecmint** - Jan 31 2023

web oct 23 2018 q 1 what is the core of linux operating system shell kernel command script terminal answer kernel is the core of linux operating system shell is a command line interpreter command is user instruction to computer script is

collection of commands stored in a file and terminal is a command line interface q 2 what linux torvalds

[linux interview questions top 101 questions and answers](#) - Oct 28 2022

web feb 21 2023 improve your linux skills with our comprehensive list of interview questions covering basic and advanced concepts prepare for your next linux interview with confidence

[top linux interview questions and answers 2023 interviewbit](#) - Dec 30 2022

web aug 17 2023 the above given are all important questions along with answers related to linux that were recently asked in interviews it will give you a better understanding of all the important topics related to linux and will help you to crack the interviews

[top 70 linux interview questions 2023 geeksforgeeks](#) - Oct 08 2023

web aug 17 2023 top linux interview questions with answer beginner level linux interview questions 1 what is linux 2 explain the basic features of the linux os 3 name some linux distros 4 what are the major differences between linux and windows 5 define the basic components of linux 6 elaborate all the file permission in

[30 frequently asked linux interview questions and answers](#) - Jul 05 2023

web jan 3 2023 to help you prepare here are some of the top linux interview questions you are likely to encounter and their answers what is linux answer linux is a free and open source operating system developed in 1991 by linux torvalds and released under the gnu general public license gpl why use linux

**50 top linux interview questions and answers in 2023 updated** - Sep 07 2023

web top linux interview questions and answers here we have brought together a list of top linux interview questions and answers that you must know if your potential job opportunity encompasses linux in any way question can you tell us about the basic components of linux

**the linux documentation project faqs** - Mar 21 2022

web may 11 2005 linux frequently asked questions with answers updated feb 2004 by david merrill dmerrill ibiblio org this is the list of frequently asked questions for linux the free unix for just about every computer hardware platform on the planet other formats plain text pdf linux raid faq updated mar 2003

[claudel tha c a tre tome 2 bibliotha que de la pl copy](#) - Feb 28 2023

web the new grove dictionary of music and musicians claudel to dante claudel tha c a tre tome 2 bibliotha que de la pl downloaded from japanalert bananacoding com by

[claudel tha c a tre tome 2 bibliotha que de la pl download](#) - Apr 01 2023

web mar 22 2023 tha c a tre tome 2 bibliotha que de la pl and numerous books collections from fictions to scientific research in any way in the middle of them is this

*claudel tha c a tre tome 2 bibliotha que de la pl full pdf* - Sep 06 2023

web bibliotha que de la pl right here we have countless book claudel tha c a tre tome 2 bibliotha que de la pl and collections to check out we additionally come up with the

*arthur c clarke 2 kitap takım kitabı ve fiyatı hepsiburada* - Jun 22 2022

web arthur c clarke 2 kitap takım kitabı en iyi fiyatla burada tıkla arthur c clarke 2 kitap takım eserini hızlı ve kolay bir şekilde satın al

*claudel tha c a tre tome 2 bibliotha que de la pl pdf* - Jun 03 2023

web jul 11 2023 claudel tha c a tre tome 2 bibliotha que de la pl 1 7 downloaded from uniport edu ng on july 11 2023 by guest claudel tha c a tre tome 2 bibliotha que

**claudel tha c a tre tome 2 bibliotha que de la pl dna viz tpq** - Aug 05 2023

web 2 2 claudel tha c a tre tome 2 bibliotha que de la pl 2023 06 06 a major work by this prominent caribbean author and philosopher available for the first time in english signs

**claudel tha c a tre tome 2 bibliotha que de la pl copy** - Jul 24 2022

web claudel tha c a tre tome 2 bibliotha que de la pl 5 5 symbolic mastery and practical mastery or between logical logic armed with all the accumulated instruments of

**claudel tha c a tre tome 2 bibliotha que de la pl hubert** - Jul 04 2023

web the publication as skillfully as perspicacity of this claudel tha c a tre tome 2 bibliotha que de la pl can be taken as competently as picked to act the governor s daughter

**claudel théâtre tome 2 bibliothèque de la pléiade by paul** - Jan 30 2023

web tiu s cha bin c thun pl su tm cu phc l 706 200 call is february 21 1919 at the post office at san juan puerto rico united states of america under tha act of march s 1879

türkler ansiklopedisi cilt 2 - May 22 2022

web türkler ansiklopedisi cilt 2 20 ekim 13 10 20 ekim 03 18 anl alp kumkaya an exemplary book on the training of the mind through the eyes of a doctor terbiyye i akliyye and

**claudel tha c a tre tome 2 bibliotha que de la pl copy** - Apr 20 2022

web currently this claudel tha c a tre tome 2 bibliotha que de la pl as one of the most practicing sellers here will enormously be along with the best options to review claudel

**claudel tha c a tre tome 2 bibliotha que de la pl** - Oct 07 2023

web 4 claudel tha c a tre tome 2 bibliotha que de la pl 2023 02 13 the weasel it calls to mind such classics in english as animal farm and charlotte s web featuring specially

[claudel tha c a tre tome 2 bibliotha que de la pl pdf](#) - Dec 17 2021

web 2 2 claudel tha c a tre tome 2 bibliotha que de la pl 2022 07 05 luxuries and treasures but soon bellina finds herself bewitched by a charismatic monk who has

**claudel tha c a tre tome 2 bibliotha que de la pl hubert** - Dec 29 2022

web 2 throughout the zen world he stands in the ranks of the great zen teachers of modern times including suzuki roshi maezumi roshi and others this second edition of his

**claudel tha c a tre tome 2 bibliotha que de la pl copy** - Sep 25 2022

web claudel tha c a tre tome 2 bibliotha que de la pl but end up in infectious downloads rather than reading a good book with a cup of tea in the afternoon instead they juggled

[claudel tha c a tre tome 2 bibliotha que de la pl uniport edu](#) - Feb 16 2022

web may 15 2023 claudel tha c a tre tome 2 bibliotha que de la pl 2 5 downloaded from uniport edu ng on may 15 2023 by guest intimate with many notable characters including

[claudel tha c a tre tome 2 bibliotha que de la pl pdf](#) - Aug 25 2022

web mar 11 2023 claudel tha c a tre tome 2 bibliotha que de la pl pdf if you ally obsession such a referred claudel tha c a tre tome 2 bibliotha que de la pl pdf

**kitap ve bölümler ted Üniversitesi** - Nov 15 2021

web arch tedu edu tr kitap ve bolumler

**son kelime ve liste 2 patricia forde fiyat satın al d r** - Mar 20 2022

web bir patricia forde eseri olan son kelime ve liste 2 en cazip fiyat ile d r de keşfetmek için hemen tıklayınız

**claudel tha c a tre tome 2 bibliotha que de la pl pdf 2023** - Nov 27 2022

web jul 10 2023 claudel tha c a tre tome 2 bibliotha que de la pl pdf when somebody should go to the ebook stores search establishment by shop shelf by shelf it is in fact

[claudel tha c a tre tome 2 bibliotha que de la pl pdf](#) - May 02 2023

web jun 22 2023 claudel tha c a tre tome 2 bibliotha que de la pl 2 8 downloaded from uniport edu ng on june 22 2023 by guest suite pour piano francis poulenc 1926 glas

**kitap ve bölümler ted Üniversitesi** - Oct 27 2022

web sci tedu edu tr kitap ve bolumler

**claudel tha c a tre tome 2 bibliotha que de la pl download** - Jan 18 2022

web claudel tha c a tre tome 2 bibliotha que de la pl downloaded from vps huratips com by guest avery miller the annotated mona lisa in what is widely considered the

