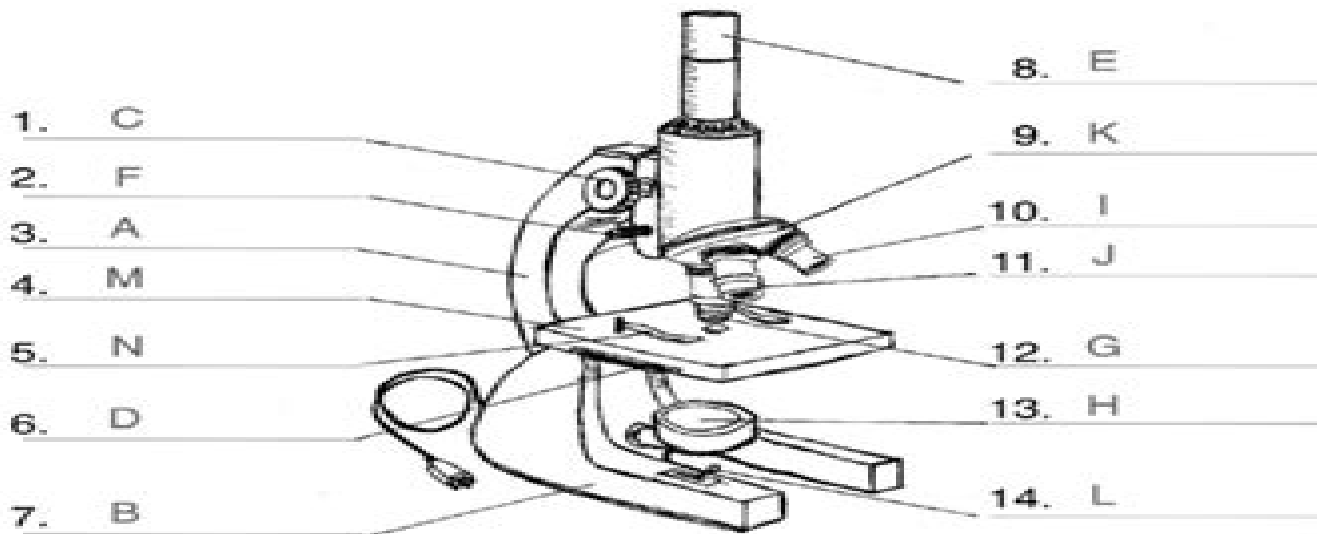


Name KEY
Period

Quiz: Using a Microscope

Label the parts of the microscope. Write the correct letter in each blank.

- | | |
|---------------------------------|--------------------------------|
| A. arm | H. lamp |
| B. base | I. low power objective lens |
| C. coarse adjustment knob | J. medium power objective lens |
| D. diaphragm (light adjustment) | K. nosepiece |
| E. eye piece | L. on/off switch |
| F. fine adjustment knob | M. stage |
| G. high power objective lens | N. stage clips |



Microscope Test Questions And Answers

Mark Steyvers



Microscope Test Questions And Answers:

This is likewise one of the factors by obtaining the soft documents of this **Microscope Test Questions And Answers** by online. You might not require more epoch to spend to go to the books start as with ease as search for them. In some cases, you likewise do not discover the publication Microscope Test Questions And Answers that you are looking for. It will completely squander the time.

However below, taking into account you visit this web page, it will be in view of that utterly easy to acquire as capably as download lead Microscope Test Questions And Answers

It will not assume many epoch as we notify before. You can realize it even if pretend something else at house and even in your workplace. hence easy! So, are you question? Just exercise just what we pay for below as skillfully as evaluation **Microscope Test Questions And Answers** what you when to read!

https://py.bijouxmedusa.com/results/scholarship/Documents/banking_strategy_credit_appraisal_and_lending_decisions_by_hri_shikes_bhattacharyya.pdf

Table of Contents Microscope Test Questions And Answers

1. Understanding the eBook Microscope Test Questions And Answers
 - The Rise of Digital Reading Microscope Test Questions And Answers
 - Advantages of eBooks Over Traditional Books
2. Identifying Microscope Test Questions And Answers
 - Exploring Different Genres
 - Considering Fiction vs. Non-Fiction
 - Determining Your Reading Goals
3. Choosing the Right eBook Platform
 - Popular eBook Platforms
 - Features to Look for in an Microscope Test Questions And Answers
 - User-Friendly Interface

4. Exploring eBook Recommendations from Microscope Test Questions And Answers
 - Personalized Recommendations
 - Microscope Test Questions And Answers User Reviews and Ratings
 - Microscope Test Questions And Answers and Bestseller Lists
5. Accessing Microscope Test Questions And Answers Free and Paid eBooks
 - Microscope Test Questions And Answers Public Domain eBooks
 - Microscope Test Questions And Answers eBook Subscription Services
 - Microscope Test Questions And Answers Budget-Friendly Options
6. Navigating Microscope Test Questions And Answers eBook Formats
 - ePub, PDF, MOBI, and More
 - Microscope Test Questions And Answers Compatibility with Devices
 - Microscope Test Questions And Answers Enhanced eBook Features
7. Enhancing Your Reading Experience
 - Adjustable Fonts and Text Sizes of Microscope Test Questions And Answers
 - Highlighting and Note-Taking Microscope Test Questions And Answers
 - Interactive Elements Microscope Test Questions And Answers
8. Staying Engaged with Microscope Test Questions And Answers
 - Joining Online Reading Communities
 - Participating in Virtual Book Clubs
 - Following Authors and Publishers Microscope Test Questions And Answers
9. Balancing eBooks and Physical Books Microscope Test Questions And Answers
 - Benefits of a Digital Library
 - Creating a Diverse Reading Collection Microscope Test Questions And Answers
10. Overcoming Reading Challenges
 - Dealing with Digital Eye Strain
 - Minimizing Distractions
 - Managing Screen Time
11. Cultivating a Reading Routine Microscope Test Questions And Answers
 - Setting Reading Goals Microscope Test Questions And Answers
 - Carving Out Dedicated Reading Time

12. Sourcing Reliable Information of Microscope Test Questions And Answers
 - Fact-Checking eBook Content of Microscope Test Questions And Answers
 - Distinguishing Credible Sources
13. Promoting Lifelong Learning
 - Utilizing eBooks for Skill Development
 - Exploring Educational eBooks
14. Embracing eBook Trends
 - Integration of Multimedia Elements
 - Interactive and Gamified eBooks

Microscope Test Questions And Answers Introduction

Microscope Test Questions And Answers Offers over 60,000 free eBooks, including many classics that are in the public domain. Open Library: Provides access to over 1 million free eBooks, including classic literature and contemporary works. Microscope Test Questions And Answers Offers a vast collection of books, some of which are available for free as PDF downloads, particularly older books in the public domain. Microscope Test Questions And Answers : This website hosts a vast collection of scientific articles, books, and textbooks. While it operates in a legal gray area due to copyright issues, its a popular resource for finding various publications. Internet Archive for Microscope Test Questions And Answers : Has an extensive collection of digital content, including books, articles, videos, and more. It has a massive library of free downloadable books. Free-eBooks Microscope Test Questions And Answers Offers a diverse range of free eBooks across various genres. Microscope Test Questions And Answers Focuses mainly on educational books, textbooks, and business books. It offers free PDF downloads for educational purposes. Microscope Test Questions And Answers Provides a large selection of free eBooks in different genres, which are available for download in various formats, including PDF. Finding specific Microscope Test Questions And Answers, especially related to Microscope Test Questions And Answers, might be challenging as theyre often artistic creations rather than practical blueprints. However, you can explore the following steps to search for or create your own Online Searches: Look for websites, forums, or blogs dedicated to Microscope Test Questions And Answers, Sometimes enthusiasts share their designs or concepts in PDF format. Books and Magazines Some Microscope Test Questions And Answers books or magazines might include. Look for these in online stores or libraries. Remember that while Microscope Test Questions And Answers, sharing copyrighted material without permission is not legal. Always ensure youre either creating your own or obtaining them from legitimate sources that allow sharing and downloading. Library Check if your local library offers eBook lending services. Many libraries have digital catalogs where you can borrow

Microscope Test Questions And Answers eBooks for free, including popular titles. Online Retailers: Websites like Amazon, Google Books, or Apple Books often sell eBooks. Sometimes, authors or publishers offer promotions or free periods for certain books. Authors Website Occasionally, authors provide excerpts or short stories for free on their websites. While this might not be the Microscope Test Questions And Answers full book, it can give you a taste of the authors writing style. Subscription Services Platforms like Kindle Unlimited or Scribd offer subscription-based access to a wide range of Microscope Test Questions And Answers eBooks, including some popular titles.

FAQs About Microscope Test Questions And Answers Books

How do I know which eBook platform is the best for me? Finding the best eBook platform depends on your reading preferences and device compatibility. Research different platforms, read user reviews, and explore their features before making a choice. Are free eBooks of good quality? Yes, many reputable platforms offer high-quality free eBooks, including classics and public domain works. However, make sure to verify the source to ensure the eBook credibility. Can I read eBooks without an eReader? Absolutely! Most eBook platforms offer web-based readers or mobile apps that allow you to read eBooks on your computer, tablet, or smartphone. How do I avoid digital eye strain while reading eBooks? To prevent digital eye strain, take regular breaks, adjust the font size and background color, and ensure proper lighting while reading eBooks. What the advantage of interactive eBooks? Interactive eBooks incorporate multimedia elements, quizzes, and activities, enhancing the reader engagement and providing a more immersive learning experience. Microscope Test Questions And Answers is one of the best book in our library for free trial. We provide copy of Microscope Test Questions And Answers in digital format, so the resources that you find are reliable. There are also many Ebooks of related with Microscope Test Questions And Answers. Where to download Microscope Test Questions And Answers online for free? Are you looking for Microscope Test Questions And Answers PDF? This is definitely going to save you time and cash in something you should think about.

Find Microscope Test Questions And Answers :

banking strategy credit appraisal and lending decisions by hrishikes bhattacharyya

behavior in public places erving goffman

[bcom 2nd year business mathematics and statistics pdf](#)

base plate and anchor rod design abarsazeha

basic electric circuit analysis 5th edition

~~big book of baroque guitar solos 72 easy classical guitar pieces in standard notation and tablature featuring the music of bach handel purcell telemann and vivaldi~~

~~beginning math and physics for game programmers new riders games~~

~~banking awareness questions and answers for ibps pdf download~~

~~bgese past papers mathematics~~

~~behavior management positive applications for teachers enhanced pearson etext with loose leaf version access card package 7th edition~~

~~bhagat singh a biography donain~~

~~bien dit 1 chapter 9 answer key~~

~~basic sensors in ios programming the accelerometer gyroscope and more alasdair allan~~

~~*bartle and sherbert solutions*~~

bible studies endtime ministries with irvin baxter

Microscope Test Questions And Answers :

watch free the hunger games franchise movies and tv - Sep 21 2023

web watch free the hunger games franchise movies and tv shows online in hd on any device tubi offers streaming the hunger games franchise movies and tv you will love

how to watch the hunger games movies in chronological order - Sep 09 2022

web nov 18 2023 in 2008 suzanne collins unleashed the hunger games on the world launching a bestselling book series that would become a globally beloved franchise continuing the legacy of satirical stories

how to watch the hunger games movies streaming cinemablend - Dec 12 2022

web jan 12 2023 the hunger games movies are available to stream on amazon prime video alongside other great movies on amazon prime video the next hunger games installment the ballad of songbirds and snakes is

the hunger games streaming where to watch online justwatch - Oct 10 2022

web part twisted entertainment part government intimidation tactic the hunger games are a nationally televised event in which tributes must fight with one another until one survivor remains pitted against highly trained tributes who have prepared for these games their entire lives katniss is forced to rely upon her sharp instincts as well as the mentorship of

the hunger games free download borrow and streaming - Oct 22 2023

web jun 10 2020 the hunger games identifier ark ark 13960 t02031t16 scanner internet archive html5 uploader 1 6 4

search results for the hunger games watch series hd free - Aug 20 2023

web watch the hunger games movies and shows for free on hdtoday download the hunger games movies and shows in hd with hdtoday

the hunger games 2012 imdb - Aug 08 2022

web mar 23 2012 katniss everdeen voluntarily takes her younger sister s place in the hunger games a televised competition in which two teenagers from each of the twelve districts of panem are chosen at random to fight to the death director gary ross writers gary ross suzanne collins billy ray stars jennifer lawrence josh hutcherson liam hemsworth

the hunger games movies in order rotten tomatoes - Mar 03 2022

web nov 15 2023 photo by lionsgate courtesy everett collection the hunger games movies in order following twilight s path the the hunger games ignited the box office in the early 2010s and then it was full on ignition to the young adult adaptation craze as filmmakers chased that high of dystopian lows extracted from suzanne collins book

where to stream every hunger games film before the ballads of - Jun 18 2023

web oct 22 2023 here s your guide to watching every hunger games film online before the release of the hunger games the ballad of songbirds and snakes on nov 17

the hunger games companion the unauthorized guide to the series - Jul 07 2022

web none viii 248 pages 21 cm for all those who adore katniss and peeta and can t get enough this companion guide to the wildly popular hunger games series is a must read and a terrific gift especially with the film version hitting theaters in march 2012

the hunger games film series wikipedia - May 05 2022

web the hunger games is the 21st highest grossing film franchise of all time having grossed over us 3 07 billion worldwide after a prequel film titled the hunger games the ballad of songbirds snakes based on the novel was released on november 17 2023

the hunger games free download borrow and streaming internet archive - Jul 19 2023

web nov 14 2013 the hunger games addeddate 2013 11 14 18 19 23 identifier bliptv 20131011 171622 aetutsplus thehungergames742 scanner internet archive python library 0 4 6 uploaded by jason scott on november 14 2013

the hunger games film series imdb - Feb 14 2023

web 1 the hunger games 2012 pg 13 142 min action adventure sci fi 7 2 rate 68 metascore katniss everdeen voluntarily takes her younger sister s place in the hunger games a televised competition in which two teenagers from each of the twelve districts of panem are chosen at random to fight to the death

all four the hunger games movies can now be watched free on - May 17 2023

web sep 1 2020 all four the hunger games movies can now be watched free on tubi from front to back sam claflin finnicks odair back evan ross messalla back center liam hemsworth gale

where to watch the hunger games all 4 movies on hulu hulu - Nov 11 2022

web nov 15 2023 get hulu live tv the hunger games 2012 in the ruins of a post apocalyptic america two young tributes from each of panem s 12 districts must compete in a deadly battle that only ends when there s one remaining survivor

series the hunger games overdrive - Apr 16 2023

web the hunger games series overdrive ebooks audiobooks and more for libraries and schools series

020 hunger games series the hunger games book i - Apr 04 2022

web nov 18 2015 020 hunger games series the hunger games book i by super serials publication date 2015 11 18 the final movie in the hunger games series is coming out mockingjay part ii this friday so what better time for super serials to begin our reading quest of the hunger games with the first book

pdf epub the hunger games trilogy boxset the hunger - Jun 06 2022

web apr 22 2020 epub file size if you are still wondering how to get free pdf epub of book the hunger games trilogy boxset the hunger games 1 3 by suzanne collins click on below buttons to start download the hunger games trilogy boxset the hunger games 1 3 by suzanne collins pdf epub without registration

all four hunger games movies streaming free on tubi variety - Mar 15 2023

web sep 1 2020 the four movies the hunger games 2012 the hunger games catching fire 2013 and the hunger games mockingjay parts 1 and 2 2014 and 2015 have joined tubi s

the entire hunger games franchise is now streaming for free imdb - Jan 13 2023

web the entire hunger games franchise is now streaming for free following the massive success of the harry potter franchise which transcended the movie business to become a genuine cultural phenomenon rival studios around hollywood rushed to adapt as many ya books as possible in the hope that they could replicate the critical and commercial

canon pixma manuals g1000 series □□□□ - Aug 02 2022

web using the printer printing print documents and images stored on your computer application manuals using my image garden or quick menu handling paper ink tanks etc

canon imageformula dr g1100 production document - Sep 03 2022

web view and download canon imageformula dr g1100 production document scanner user manual online imageformula dr g1100 production document scanner

canon support for imageformula dr g1100 document - Jan 07 2023

web jan 19 2023 find support for your canon imageformula dr g1100 document scanner browse the recommended drivers

downloads and manuals to make sure your

user manual canon pixma g1100 english 383 pages - Feb 25 2022

web view the manual for the canon pixma g1100 here for free this manual comes under the category printers and has been rated by 1 people with an average of a 6.9 this manual

dr g1130 1100 user manual canon europe - Nov 05 2022

web thank you for purchasing the canon imageformula dr g1130 g1100 document scanner please read this and the following manuals thoroughly before using the

download canon imageformula dr g1100 series service - Jun 12 2023

web download canon imageformula dr g1100 series service manual canon imageformula dr g1100 series service manual brand canon category

user manual canon imageformula dr g1100 english 127 - May 31 2022

web view the manual for the canon imageformula dr g1100 here for free this manual comes under the category scanners and has been rated by 1 people with an average of

downloads canon com - Dec 06 2022

web downloads canon com

canon manuals g1100 setup windows - Mar 29 2022

web setup click download to start setup follow the on screen instructions to complete the setup download

[canon dr g1100 all in one printer user manual manualzz](#) - Apr 29 2022

web view online or download pdf 1003 kb canon dr g1100 imageformula user manual dr g1100 imageformula scanner transparency adapters pdf manual download

canon pixma manuals g1000 series maintenance procedure - Apr 10 2023

web maintenance procedure if print results are blurred colors are not printed correctly or print results are unsatisfactory e.g. misaligned printed ruled lines perform the maintenance

canon imageformula dr g1100 canon europe - Mar 09 2023

web release date 07 december 2017 this driver is compatible with a wide range of application software the bundled scanner driver complies with ISIS/TWAIN standards and is

pixma g1100 built in ink tanks printer canon latin america - Nov 24 2021

web features supplies accessories brochures manual specifications service support videos overview incredible printing volume with a genuine print quality to meet the

canon el kitapları g2411 kurulum windows - Oct 24 2021

web kurulum windows 10 in s mode kurulumu başlatmak için İndir seçeneğini tıklatın kurulumu tamamlamak için ekrandaki talimatları yerine getirin

service manual canon global - Jul 13 2023

web this service manual describes necessary basic information for field service and maintenance for maintaining the product quality and functions of this machine contents

canon drg1100 dr g1100 service manual service manuals - Feb 08 2023

web canon drg1100 dr g1100 service manuals if you are in need of an oem service manual you came to the right place most of our service manuals are immediately

canon g1000 series service manual pdf download - May 11 2023

web view and download canon g1000 series service manual online g1000 series printer pdf manual download also for g2000 series g3000 series

support dr g1100 canon india - Jul 01 2022

web check my booking provide your booking code and email address you used for the registration we will re send the confirmation email to you

canon imageformula dr g1100 series service manual - Aug 14 2023

web view and download canon imageformula dr g1100 series service manual online imageformula dr g1100 series scanner pdf manual download also for

dr g1130 1100 user manual canon global - Sep 22 2021

web dr g1130 1100 user manual please read this manual before using the scanner after you finish reading this manual keep it in a safe place for future reference user manual i

canon manuals g1100 useful printer services windows - Jan 27 2022

web g1100 useful printer services windows available printing methods and services vary depending on your computer smartphone or tablet in addition the service may be

service manual canon g 1100 pdf 2023 - Dec 26 2021

web service manual canon g 1100 pdf introduction service manual canon g 1100 pdf 2023

canon imageformula dr g1100 specification manualslib - Oct 04 2022

web the dr g1100 scanner will help companies improve productivity maintain business continuity and increase efficiencies high performance the dr g1100 scanner handles

home modernist cuisine - Jun 21 2022

web modernist cuisine at home opens up a new world of culinary possibility for home cooks filled with helpful scientific

insights and mouthwatering recipes this 456 page volume makes it easy to bring dining of the highest quality to your own dinner table

İstanbul modern cafe restaurant karaköy İstanbul keyifname - Feb 15 2022

web oct 15 2016 İstanbul modern restaurant İstanbul modern restaurant adres meclisi mebusan cad liman İşletmeleri sahası 4 nolu antrepo karaköy İstanbul tel 0 212 292 26 12 deniz mahsüllü makarna İstanbul istanbul modern İstanbul modern cafe restaurant izgara jumbo karides makarna peynir tabağı spagetti süleymaniye cami tophane [addelice livres](#) - Nov 26 2022

web modernist cuisine art et science culinaire un ouvrage de 2 438 pages en six volumes nathan myhrvold chris young et maxime bilet scientifiques inventeurs et cuisiniers accomplis vous livre un ensemble de techniques d inspiration scientifique pour préparer des plats confinant au sublime

modernist cuisine wikipedia - Dec 28 2022

web modernist cuisine the art and science of cooking is a 2011 cookbook by nathan myhrvold chris young and maxime bilet the book is an encyclopedia and a guide to the science of contemporary cooking 1

xl modernist cuisine at home teaser e 1310221626 id 744956 - May 21 2022

web cocine como un profesional coma como un rey la revolución de la gastronomía en su propia casa modernist cuisine at home establece nuevos estándares en el mundo de la gastronomía es la guía definitiva para quienes desean poner en práctica en su casa las técnicas culinarias más novedosas

xl modernist cuisine 37764 fr screen documents and e books - Aug 24 2022

web avec modernist cuisine art et science culinaires un ouvrage de 2 438 pages en six volumes nathan myhrvold chris young et maxime bilet scientifiques inventeurs et cuisiniers accomplis vous livrent un ensemble de techniques d inspiration scientifique pour préparer des plats confinant au sublime

[modernist cuisine facebook](#) - Oct 26 2022

web modernist cuisine 290 287 likes 217 talking about this from the professional chef to the home cook modernist cuisine is an indispensable guide for anyone

[xl modernist cuisine at home abebooks france](#) - Jan 29 2023

web xl modernist cuisine at home image de l éditeur image de l éditeur agrandir les images xl modernist cuisine at home myhrvold nathan 1 519 avis par goodreads isbn 10 3836546493 isbn 13 9783836546492 edité par taschen 2012 neuf s etat brand new couverture rigide mettre de côté

modernist cuisine modernist cuisine - Feb 27 2023

web modernist cuisine the art and science of cooking is a revolutionary treatment of cooking that pushes the boundaries of

culinary arts winner of the 2012 james beard award for cookbook of the year this six volume set was named one of the best cookbooks of the century by the new yorker

[xl modernist cuisine at home abebooks](#) - Mar 31 2023

web abebooks com xl modernist cuisine at home 456 pages french language 13 70x11 10x2 60 inches in stock

xl modernist cuisine at home inbunden 31 oktober 2013 - Aug 04 2023

web xl modernist cuisine at home myhrvold nathan bilet maxime amazon se böcker

[xl modernist cuisine at home teaser e 1310221626 id 744956](#) - May 01 2023

web modernist cuisine at home establece nuevos estndares en el mundo de la gastronomía es la guía definitiva para quienes desean poner en práctica en su casa las técnicas culinarias más novedosas en este libro espectacularmente ilustrado nathan myhrvold y maxime bilet retomaron el tema de su obra de 2 500 páginas pero esta vez se dirigen a los cocineros

xl modernist cuisine art et science culinaires coffret en 5 - Sep 05 2023

web xl modernist cuisine art et science culinaires coffret en 5 volumes myhrvold nathan bilet maxime young chris amazon pl książki

modernist cuisine von nathan myhrvold gebundene - Sep 24 2022

web just as french impressionists upended centuries of tradition modernist cuisine has in recent years blown through the boundaries of the culinary arts borrowing techniques from the laboratory pioneering chefs at world renowned restaurants such as elbulli the fat duck alinea and wd 50 have incorporated a deeper understanding of science and

[xl modernist cuisine at home teaser e 1310221626 id 744956](#) - Mar 19 2022

web feb 2 2020 xl modernist cuisine at home teaser e 1310221626 id 744956 february 2 2020 author anonymous category gastronomía queso hamburguesas comida y bebida comida y vino report this link

[xl modernist cuisine relié 30 septembre 2012 amazon fr](#) - Oct 06 2023

web modernist cuisine vous livre le secret de toutes ces techniques et vous guide au travers d'explications illustrées pas à pas grâce à des milliers de photographies et de nombreux schémas la science et la technologie des arts culinaires prennent véritablement vie

modernist cuisine 6 bände xl tapa dura 5 diciembre 2011 - Jul 03 2023

web wissenschaftliche Erkenntnisse und Entwicklungen in der Kochtechnik mit modernist cuisine die revolution der kochkunst schufen nathan myhrvold chris young und maxime bilet allesamt forschler erfinder und meister des küchenfachs ein sechsbändiges 2440 seiten starkes

modernist cuisine by oscar guibert issuu - Apr 19 2022

web nov 10 2011 modernist cuisine es una obra destinada a reinventar la cocina esta obra excepcional pone al descubierto

los sorprendentes principios científicos que encierran los métodos tradicionales de

xl modernist cuisine at home e libreria kronos com - Jun 02 2023

web paginas 688 tapa dura dimensiones 38 1 x 10 2 x 53 3 cm isbn 9783836546508 editorial the cooking lab autor myhrvold

nathan cocinar como los profesionales comer como reyes domine el arte y las ciencias culinarias en su propia cocina la

publicación de los seis volúmenes de la innovadora y enciclopédica obra modern

modernist cuisine - Jul 23 2022

web mit modernist cuisine die revolution der kochkunst schufen nathan myhrvold chris young und maxime bilet allesamt

forscher er nder und meister des küchenfachs ein sechsbän