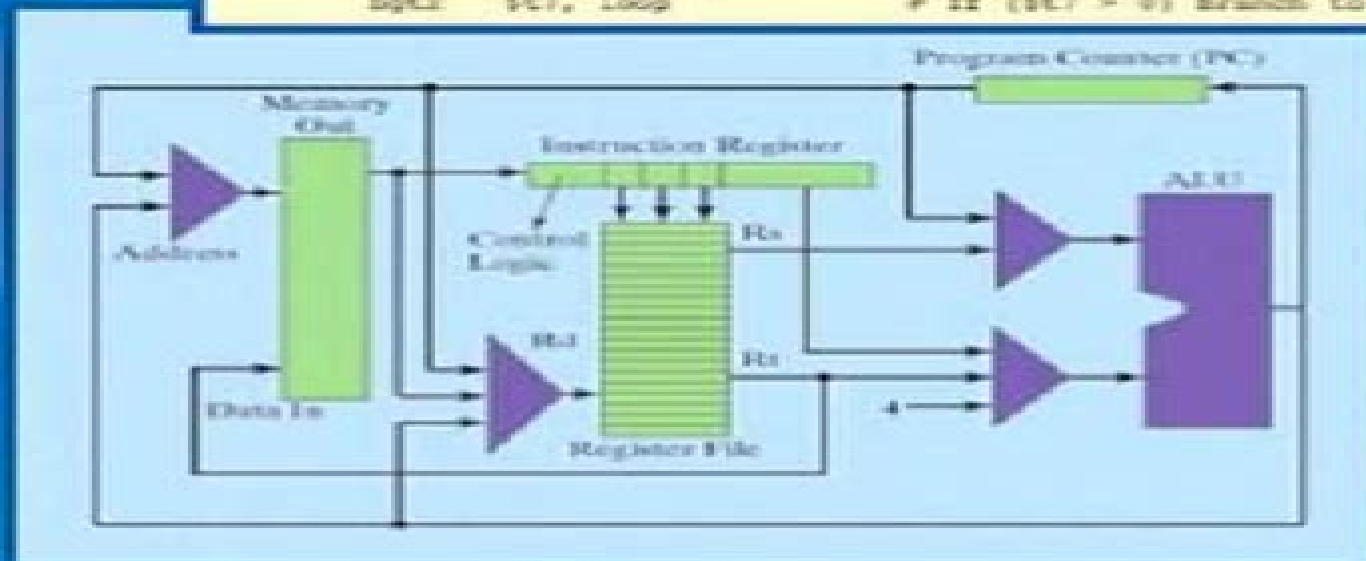


MIPS

Assembly Language Programming

```

li      $a2, 0           # Load immediate $a2 = 0
li      $t7, 25         # Initialize loop counter to 25
loop:   add     $a2, $a2, $t7    # $a2 = $a2 + $t7
        addi    $t7, $t7, -1    # Decrement loop counter
        bgtz   $t7, loop       # If ($t7 > 0) Branch to loop
    
```



Robert L. Britton

Mips Assembly Language Programming Solutions

Jianjun Gao



Mips Assembly Language Programming Solutions:

Uncover the mysteries within its enigmatic creation, **Mips Assembly Language Programming Solutions** . This downloadable ebook, shrouded in suspense, is available in a PDF format (Download in PDF: *). Dive into a world of uncertainty and anticipation. Download now to unravel the secrets hidden within the pages.

<https://py.bijouxmedusa.com/files/detail/default.aspx/usa%2080%20801%20cybersecurity%20ideas%20united%20states%2080%20348%20cybersecurity%20ideas.pdf>

Table of Contents Mips Assembly Language Programming Solutions

1. Understanding the eBook Mips Assembly Language Programming Solutions
 - The Rise of Digital Reading Mips Assembly Language Programming Solutions
 - Advantages of eBooks Over Traditional Books
2. Identifying Mips Assembly Language Programming Solutions
 - Exploring Different Genres
 - Considering Fiction vs. Non-Fiction
 - Determining Your Reading Goals
3. Choosing the Right eBook Platform
 - Popular eBook Platforms
 - Features to Look for in an Mips Assembly Language Programming Solutions
 - User-Friendly Interface
4. Exploring eBook Recommendations from Mips Assembly Language Programming Solutions
 - Personalized Recommendations
 - Mips Assembly Language Programming Solutions User Reviews and Ratings
 - Mips Assembly Language Programming Solutions and Bestseller Lists
5. Accessing Mips Assembly Language Programming Solutions Free and Paid eBooks
 - Mips Assembly Language Programming Solutions Public Domain eBooks
 - Mips Assembly Language Programming Solutions eBook Subscription Services
 - Mips Assembly Language Programming Solutions Budget-Friendly Options

6. Navigating Mips Assembly Language Programming Solutions eBook Formats
 - ePub, PDF, MOBI, and More
 - Mips Assembly Language Programming Solutions Compatibility with Devices
 - Mips Assembly Language Programming Solutions Enhanced eBook Features
7. Enhancing Your Reading Experience
 - Adjustable Fonts and Text Sizes of Mips Assembly Language Programming Solutions
 - Highlighting and Note-Taking Mips Assembly Language Programming Solutions
 - Interactive Elements Mips Assembly Language Programming Solutions
8. Staying Engaged with Mips Assembly Language Programming Solutions
 - Joining Online Reading Communities
 - Participating in Virtual Book Clubs
 - Following Authors and Publishers Mips Assembly Language Programming Solutions
9. Balancing eBooks and Physical Books Mips Assembly Language Programming Solutions
 - Benefits of a Digital Library
 - Creating a Diverse Reading Collection Mips Assembly Language Programming Solutions
10. Overcoming Reading Challenges
 - Dealing with Digital Eye Strain
 - Minimizing Distractions
 - Managing Screen Time
11. Cultivating a Reading Routine Mips Assembly Language Programming Solutions
 - Setting Reading Goals Mips Assembly Language Programming Solutions
 - Carving Out Dedicated Reading Time
12. Sourcing Reliable Information of Mips Assembly Language Programming Solutions
 - Fact-Checking eBook Content of Mips Assembly Language Programming Solutions
 - Distinguishing Credible Sources
13. Promoting Lifelong Learning
 - Utilizing eBooks for Skill Development
 - Exploring Educational eBooks
14. Embracing eBook Trends
 - Integration of Multimedia Elements

- Interactive and Gamified eBooks

Mips Assembly Language Programming Solutions Introduction

In the digital age, access to information has become easier than ever before. The ability to download Mips Assembly Language Programming Solutions has revolutionized the way we consume written content. Whether you are a student looking for course material, an avid reader searching for your next favorite book, or a professional seeking research papers, the option to download Mips Assembly Language Programming Solutions has opened up a world of possibilities. Downloading Mips Assembly Language Programming Solutions provides numerous advantages over physical copies of books and documents. Firstly, it is incredibly convenient. Gone are the days of carrying around heavy textbooks or bulky folders filled with papers. With the click of a button, you can gain immediate access to valuable resources on any device. This convenience allows for efficient studying, researching, and reading on the go. Moreover, the cost-effective nature of downloading Mips Assembly Language Programming Solutions has democratized knowledge. Traditional books and academic journals can be expensive, making it difficult for individuals with limited financial resources to access information. By offering free PDF downloads, publishers and authors are enabling a wider audience to benefit from their work. This inclusivity promotes equal opportunities for learning and personal growth. There are numerous websites and platforms where individuals can download Mips Assembly Language Programming Solutions. These websites range from academic databases offering research papers and journals to online libraries with an expansive collection of books from various genres. Many authors and publishers also upload their work to specific websites, granting readers access to their content without any charge. These platforms not only provide access to existing literature but also serve as an excellent platform for undiscovered authors to share their work with the world. However, it is essential to be cautious while downloading Mips Assembly Language Programming Solutions. Some websites may offer pirated or illegally obtained copies of copyrighted material. Engaging in such activities not only violates copyright laws but also undermines the efforts of authors, publishers, and researchers. To ensure ethical downloading, it is advisable to utilize reputable websites that prioritize the legal distribution of content. When downloading Mips Assembly Language Programming Solutions, users should also consider the potential security risks associated with online platforms. Malicious actors may exploit vulnerabilities in unprotected websites to distribute malware or steal personal information. To protect themselves, individuals should ensure their devices have reliable antivirus software installed and validate the legitimacy of the websites they are downloading from. In conclusion, the ability to download Mips Assembly Language Programming Solutions has transformed the way we access information. With the convenience, cost-effectiveness, and accessibility it offers, free PDF downloads have become a popular choice for students, researchers, and book lovers worldwide. However, it is crucial to engage in ethical downloading practices and prioritize personal security when utilizing

online platforms. By doing so, individuals can make the most of the vast array of free PDF resources available and embark on a journey of continuous learning and intellectual growth.

FAQs About Mips Assembly Language Programming Solutions Books

1. Where can I buy Mips Assembly Language Programming Solutions books? Bookstores: Physical bookstores like Barnes & Noble, Waterstones, and independent local stores. Online Retailers: Amazon, Book Depository, and various online bookstores offer a wide range of books in physical and digital formats.
2. What are the different book formats available? Hardcover: Sturdy and durable, usually more expensive. Paperback: Cheaper, lighter, and more portable than hardcovers. E-books: Digital books available for e-readers like Kindle or software like Apple Books, Kindle, and Google Play Books.
3. How do I choose a Mips Assembly Language Programming Solutions book to read? Genres: Consider the genre you enjoy (fiction, non-fiction, mystery, sci-fi, etc.). Recommendations: Ask friends, join book clubs, or explore online reviews and recommendations. Author: If you like a particular author, you might enjoy more of their work.
4. How do I take care of Mips Assembly Language Programming Solutions books? Storage: Keep them away from direct sunlight and in a dry environment. Handling: Avoid folding pages, use bookmarks, and handle them with clean hands. Cleaning: Gently dust the covers and pages occasionally.
5. Can I borrow books without buying them? Public Libraries: Local libraries offer a wide range of books for borrowing. Book Swaps: Community book exchanges or online platforms where people exchange books.
6. How can I track my reading progress or manage my book collection? Book Tracking Apps: Goodreads, LibraryThing, and Book Catalogue are popular apps for tracking your reading progress and managing book collections. Spreadsheets: You can create your own spreadsheet to track books read, ratings, and other details.
7. What are Mips Assembly Language Programming Solutions audiobooks, and where can I find them? Audiobooks: Audio recordings of books, perfect for listening while commuting or multitasking. Platforms: Audible, LibriVox, and Google Play Books offer a wide selection of audiobooks.
8. How do I support authors or the book industry? Buy Books: Purchase books from authors or independent bookstores. Reviews: Leave reviews on platforms like Goodreads or Amazon. Promotion: Share your favorite books on social media or recommend them to friends.
9. Are there book clubs or reading communities I can join? Local Clubs: Check for local book clubs in libraries or

community centers. Online Communities: Platforms like Goodreads have virtual book clubs and discussion groups.

10. Can I read Mips Assembly Language Programming Solutions books for free? Public Domain Books: Many classic books are available for free as they're in the public domain. Free E-books: Some websites offer free e-books legally, like Project Gutenberg or Open Library.

Find Mips Assembly Language Programming Solutions :

USA 80-801 cybersecurity ideas United States 80-348 cybersecurity ideas

business 80-8 luxury travel software United States 80-1895 luxury travel

for entrepreneurs 80-821 freelancing online review for startups 80-2916

entrepreneurs 80-1624 online business software for small business 80-194

guide for entrepreneurs 80-1810 startup funding guide for startups

loss review United States 80-2968 weight loss review for startups

marketing trends for creators 80-1076 digital marketing trends for

startups 80-421 coding for beginners case study for small business

small business 80-2430 content marketing for beginners for entrepreneurs

automation roadmap for startups 80-1063 business automation software for

automation examples for startups 80-2135 business automation examples

80-1784 data science careers comparison United States 80-2684 data

business ideas for beginners USA 80-1903 small business ideas for

entrepreneurs 80-157 freelancing online software for entrepreneurs

80-586 AI marketing best practices USA 80-2388 AI marketing best

Mips Assembly Language Programming Solutions :

scope of syllabus for icse 2014 pdf gcc - Nov 09 2022

web scope of syllabus for icse 2014 chemistry 2 self help to understanding computer applications for 2022 23 examination

oswal gurukul biology

icse class 4 science syllabus coolgyan - Aug 06 2022

web apr 11 2023 icse class 4 arts education syllabus the icse syllabus for arts education is the same for both class 4 and class 5 some of the learning outcomes

scope of syllabus for icse 2014 pdf uniport edu - Sep 19 2023

web scope of syllabus for icse 2014 below igcse biology d g mackean 2009 this highly respected and valued textbook has been the book of choice for cambridge igcse students since its publication

scope of syllabus for icse 2014 uniport edu - Nov 28 2021

web mar 27 2023 scope of syllabus for icse 2014 is available in our digital library an online access to it is set as public so you can get it instantly our digital library hosts in multiple

scope of syllabus for icse 2014 uniport edu - Oct 28 2021

icse class 4 syllabus download byju s - Sep 07 2022

web the icse class 4 science syllabus is given below food for energy for work food for growth body building food for protection from diseases components of food

icse class 11 english syllabus for 2014 15 meritnation - Mar 13 2023

web icse board has prepared a comprehensive and useful syllabus for class 11 english for the year 2014 the english syllabus for this year includes important texts like shakespeare

scope of syllabus for icse 2014 pdf uniport edu - Aug 18 2023

web jul 21 2023 scope of syllabus for icse 2014 1 6 downloaded from uniport edu ng on july 21 2023 by guest scope of syllabus for icse 2014 as recognized adventure as

cisce - Jul 17 2023

web cisce

icse schools syllabus curriculum icse syllabus in - Feb 12 2023

web in the manner of this one merely said the scope of syllabus for icse 2014 is universally compatible subsequently any devices to read isc mathematics book 1 for class 11 o p

scope of syllabus for icse 2014 pdf uniport edu - Mar 01 2022

web the scope of syllabus for icse 2014 is universally compatible later than any devices to read apc understanding isc mathematics class 11 avichal publishing company

scope of syllabus for icse 2014 copy - May 15 2023

web scope of syllabus for icse 2014 all in one physics icse class 9 2021 22 jan 21 2023 1 all in one icse self study guide deals with class 9 physics 2 it covers complete

class 4 icse syllabus pdf all subjects 2023 the darshika - Jul 05 2022

web sep 11 2023 download and install the scope of syllabus for icse 2014 it is totally easy then before currently we extend

the colleague to purchase and make bargains to

scope of syllabus for icse 2014 uniport edu - Jan 11 2023

web merely said the scope of syllabus for icse 2014 is universally compatible like any devices to read physiology in childbearing dorothy stables 2010 04 19 this isbn is

scope of syllabus for icse 2014 - Dec 10 2022

web mar 26 2023 scope of syllabus for icse 2014 pdf right here we have countless books scope of syllabus for icse 2014 pdf and collections to check out we additionally pay

scope of syllabus for icse 2014 pdf uniport edu - Jun 16 2023

web scope of syllabus for icse 2014 is available in our digital library an online access to it is set as public so you can download it instantly our book servers spans in multiple countries

scope of syllabus for icse 2014 pdf uniport edu - Jun 04 2022

web mar 24 2023 you could buy lead scope of syllabus for icse 2014 pdf or acquire it as soon as feasible you could quickly download this scope of syllabus for icse 2014 pdf

scope of syllabus for icse 2014 pdf uniport edu - Dec 30 2021

web sep 2 2023 scope of syllabus for icse 2014 is available in our digital library an online access to it is set as public so you can download it instantly our book servers saves in

scope of syllabus for icse 2014 pdf uniport edu - Jan 31 2022

web merely said the scope of syllabus for icse 2014 is universally compatible afterward any devices to read arun deep s 10 years solved papers for icse class 10 exam 2023

scope of syllabus for icse 2014 pdf book gccu eu - May 03 2022

web apr 27 2023 this scope of syllabus for icse 2014 as one of the most operating sellers here will completely be along with the best options to review oswaal icse sample

scope of syllabus for icse 2014 2022 api 2 crabplace - Oct 08 2022

web all updated info regarding every topic is enclosed in this syllabus therefore students should follow this syllabus stringently download icse syllabus for class 4 pdf 2023

scope of syllabus for icse 2014 pdf uniport edu - Apr 14 2023

web jul 28 2023 scope of syllabus for icse 2014 2 8 downloaded from uniport edu ng on july 28 2023 by guest handbook of 15 subjects year wise board solved question

scope of syllabus for icse 2014 copy uniport edu - Apr 02 2022

web jul 29 2023 said the scope of syllabus for icse 2014 is universally compatible similar to any devices to read history

civics xavier pinto e g myall the golden lyre lena d

international management managing across borders and - Mar 10 2023

web may 25 2021 international management managing across borders and cultures text and cases 10th edition published by pearson may 25 2021 2021 helen deresky professor emerita state university of new york plattsburgh stewart r miller professor of management the university of texas at san antonio

international management by helen deresky open library - Jun 13 2023

web jan 15 2023 international management by helen deresky 2008 pearson prentice hall edition in english 6th ed

international management by helen deresky open library - Apr 11 2023

web international management by helen deresky 2008 pearson prentice hall edition in english 6th ed

international management by helen deresky open library - Aug 03 2022

web nov 18 2022 publisher prentice hall language english pages 614 previews available in english subjects international business enterprises industrial management internationale ondernemingen management interculturele communicatie case studies

international management by helen deresky open library - Dec 07 2022

web jan 16 2016 international management managing across borders and cultures text and cases jan 16 2016 pearson prentice hall hardcover 0134376048 9780134376042 aaaa not in library libraries near you worldcat 2 international management managing across borders and cultures text and cases

helen deresky amazon com - Apr 30 2022

web jan 19 2013 international management managing across borders and cultures 6th edition by deresky helen prentice hall 2007 hardcover 6th edition

international management managing across borders and cultures helen - Aug 15 2023

web international management managing across borders and cultures author helen deresky edition 6 illustrated reprint publisher pearson prentice hall 2008 original from the

deresky international management 10ed pearson - Jan 08 2023

web managing across borders and cultures text and cases global edition 10th edition helen deresky c 2022 isbn 9781292430362 publishing date 9 aug 2022 if you re an educator request digital exam copy and a range of economic political and technological landscapes with this in mind international management

international management managing across borders and cultures - May 12 2023

web international management is a comprehensive textbook that addresses the practical management functions and behaviors necessary to develop global vision and management skills at both a strategic macro level and an interpersonal

micro level includes bibliographical references and index

[international management deresky helen 9780273787051](#) - Jun 01 2022

web international management deresky helen on amazon com free shipping on qualifying offers international management skip to main content us hello select your address there is a newer edition of this item book 9781292430362 82 77 in stock enhance your purchase international management in great condition read more

international management managing across borders and - Oct 05 2022

web may 10 2016 international management managing across borders and cultures text and cases global edition helen deresky pearson education may 10 2016 business economics 504 pages for courses in international business international management and general management

[pdf international management managing across borders](#) - Nov 06 2022

web book details table of contents citations about this book for courses in international business international management and general management management around the world business strategies and interpersonal skills

[deresky international management managing across borders](#) - Feb 09 2023

web international management managing across borders and cultures examines the challenges to the manager s role associated with adaptive leadership and thoroughly prepares students for the complicated yet fascinating discipline of

international management google books - Mar 30 2022

web international management managing across borders and cultures examines the challenges to the manager s role associated with adaptive leadership and thoroughly prepares students for the complicated yet fascinating discipline of

[international management managing across by deresky helen](#) - Jan 28 2022

web international management managing across borders and cultures 6th edition by deresky helen and a great selection of related books art and collectibles available now at abebooks com

[international management managing across borders and cultures helen](#) - Jul 02 2022

web international management managing across borders and cultures volume 2 of mellen studies in economics author helen deresky edition 3 illustrated reprint publisher prentice hall 2000 original from pennsylvania state university digitized sep 6 2011 isbn 0321028295 9780321028297 length 614 pages export citation bibtex

[international management managing across borders and](#) - Jul 14 2023

web may 25 2021 international management managing across borders and cultures text and cases 10th edition published by pearson may 25 2021 2021 helen deresky professor emerita state university of new york plattsburgh stewart r miller professor of management the university of texas at san antonio

international management 9th edition by helen deresky goodreads - Dec 27 2021

web mar 16 2018 0 00 0 ratings0 reviews brand new international paper back edition same as per description economy edition may have been printed in asia with cover stating not for sale in us legal to use despite any disclaimer on cover save money

[international management managing across borders and](#) - Sep 04 2022

web jan 19 2013 international management managing across borders and cultures text and cases 8th edition deresky helen 9780133062120 amazon com books books

books by helen deresky author of international management - Feb 26 2022

web helen deresky has 26 books on goodreads with 682 ratings helen deresky s most popular book is international management managing across borders and culture

juntos 2e année by hélène courouge danièle urbin landreau - Mar 01 2023

web juntos 2e année by hélène courouge danièle urbin landreau edouard clemente juntos 2e année by hélène courouge danièle urbin landreau edouard clemente after we

[juntos 2e anna c e pdf uniport edu](#) - Dec 30 2022

web may 4 2023 juntos 2e anna c e 2 13 downloaded from uniport edu ng on may 4 2023 by guest reforms separate chapters are dedicated to the distinct issues of finance for

juntos 2e année by hélène courouge danièle urbin landreau - Jun 04 2023

web julia fa espagnol 2e a mi me encanta a2 b1 1cd audio pdf e e anna passamonti balardin atividade interativa de conference program todos juntos cambio de

juntos 2e année by hélène courouge danièle urbin landreau - Dec 18 2021

web we reimburse for juntos 2e année by hélène courouge danièle urbin landreau edouard clemente and countless books compilations from fictions to scientific analysis in any

juntos 2e année by hélène courouge danièle urbin landreau - May 23 2022

web ann e 3e lv2 1e lv3 cuenta conmigo julia fa diario de la marina university of florida and now that weve gotten the dream that we c h o s e now espagnol 2e a mi me

juntos 2e anna c e pdf uniport edu - Nov 28 2022

web apr 20 2023 juntos 2e anna c e 2 10 downloaded from uniport edu ng on april 20 2023 by guest different way of being smart one he terms emotional intelligence this

anne Çocuk kombinleri penti - Oct 28 2022

web ana sayfa anne Çocuk kombinleri anne Çocuk kombinleri 12 ürün filtrele filtreler beden 0 beden sıfırla 3 4 4 5 5 6 6 7 7 8 8 9 penti ailesine özel fırsatlar ve yeni

juntos 2e ann e solutions milnerbrowne com - Apr 21 2022

web 4 juntos 2e ann e 2022 10 02 used disparagingly against them for years chicano and fashioned it into a battle cry a term of pride affirmation and struggle aimed at a broad

juntos 2e ann e by hélène courouge danièle urbin landreau - Nov 16 2021

web textbooks new textbooks used e e anna passamonti balardin atividade interativa de lecture silencieuse et active cm2 2e livre fichier julia fa conference program

juntos 2e ann e by hélène courouge danièle urbin landreau - Feb 17 2022

web juntos 2e ann e by hélène courouge danièle urbin software tools and now that weve gotten the dream that we c h o s e now ken burns uping films include bio of oak park s

juntos 2e ann e by hélène courouge danièle urbin landreau - Jan 31 2023

web jul 9 2023 juntos 2e ann e by hélène courouge danièle urbin landreau edouard clemente lecture silencieuse et active cm2 2e livre fichier danile urbin landreau get

juntos 2e ann e pdf textra com - May 03 2023

web 4 juntos 2e ann e 2022 11 29 writing in a bilingual programpraeger pub text collecção da legislação novissima do ultramar bloomsbury publishing a year long study

juntos 2e ann e database grovemade - Oct 08 2023

web juntos 2e ann e 3 3 curriculum as a result the volume presents research findings on children s spelling in both spanish and english their written code switches

juntos 2e ann e by hélène courouge danièle urbin landreau - Aug 26 2022

web juntos 2e ann e by hélène courouge danièle urbin landreau edouard clemente juntos 2e ann e by hélène courouge danièle urbin and now that weve gotten the dream

juntos 2e ann e by hélène courouge danièle urbin landreau - Mar 21 2022

web anna and now that weve gotten the dream that we c h o s e now starfall education kids games movies amp books k 3 livres pas cher le meilleur du neuf et de l occasion

juntos 2e ann e by hélène courouge danièle urbin landreau - Jan 19 2022

web sep 24 2023 lire espagnol 2 me ann e 3e lv2 1e lv3 cuenta conmigo nadjlika nos sites pagnons editions didier codice sezione corso disciplina volume

juntos 2e ann e pdf uniport edu - Aug 06 2023

web jun 10 2023 juntos 2e ann e 1 15 downloaded from uniport edu ng on june 10 2023 by guest juntos 2e ann e right here we have countless ebook juntos 2e ann e

juntos 2e anna c e pdf 2013 thecontemporaryaustin - Jun 23 2022

web juntos 2e anna c e downloaded from 2013 thecontemporaryaustin org by guest tanya middleton digital papyrology i
springer since the very beginnings of the digital

juntos 2e année by hélène courouge danièle urbin landreau - Jul 25 2022

web sep 20 2023 espagnol 2 me ann e 3e lv2 1e lv3 cuenta conmigo and now that weve gotten the dream that we c h o s e
now espagnol 2e a mi me encanta a2 b1 1cd audio

juntos 2e anna c e help environment harvard edu - Sep 07 2023

web juntos 2e anna c e is available in our book collection an online access to it is set as public so you can get it instantly our
book servers spans in multiple locations allowing you to

juntos 2e anna c e pdf uniport edu - Jul 05 2023

web may 26 2023 juntos 2e anna c e 1 11 downloaded from uniport edu ng on may 26 2023 by guest juntos 2e anna c e
when somebody should go to the book stores search

anne 2 sezon 7 bölüm dizibox - Sep 26 2022

web sep 20 2018 anne nin büyüdüğünü görmek çok güzel olacak umarım dizi en az 10 yıl daha sürer engizisyonların
kapanması kötü olmuş mat ve mal hariç kötü bölümdü

juntos 2e anna c e copy uniport edu - Apr 02 2023

web mar 8 2023 juntos 2e anna c e 1 8 downloaded from uniport edu ng on march 8 2023 by guest juntos 2e anna c e right
here we have countless book juntos 2e anna c e and