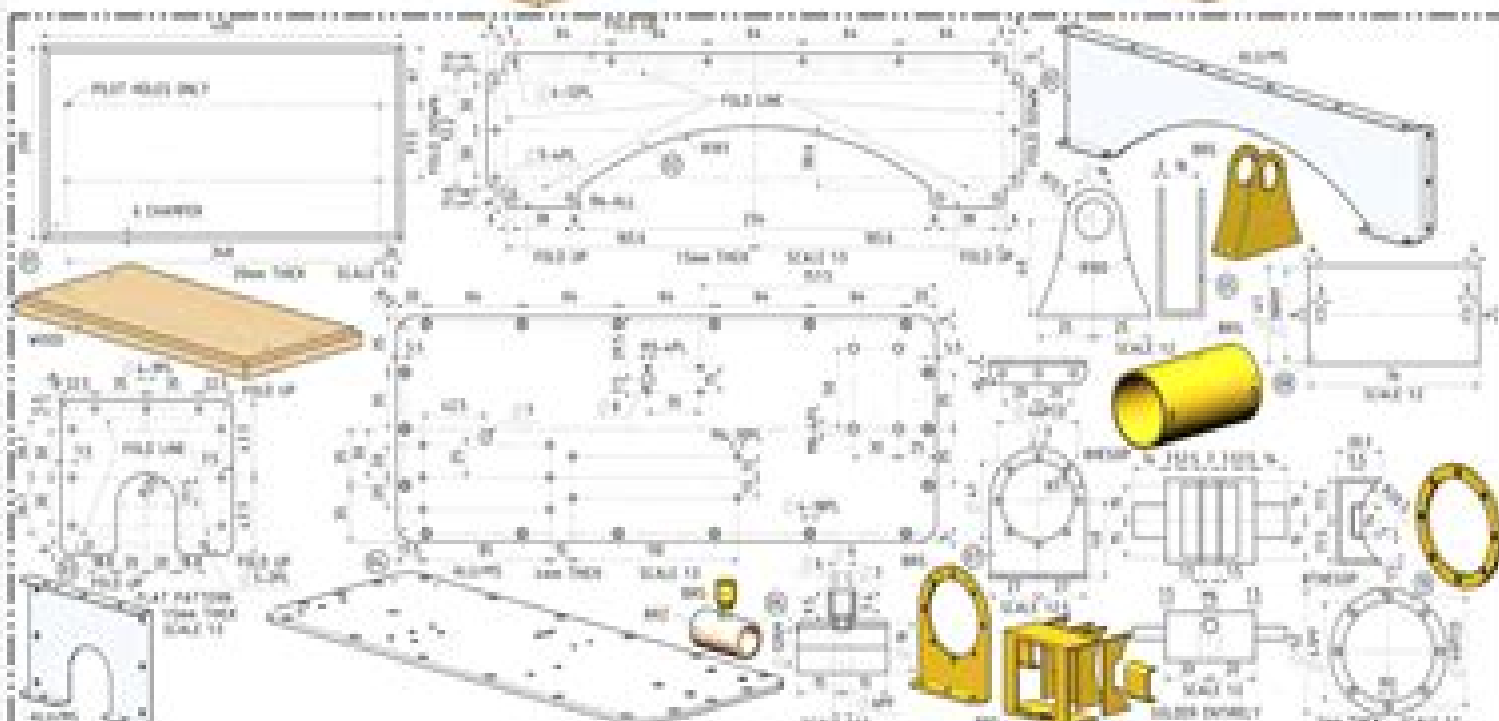
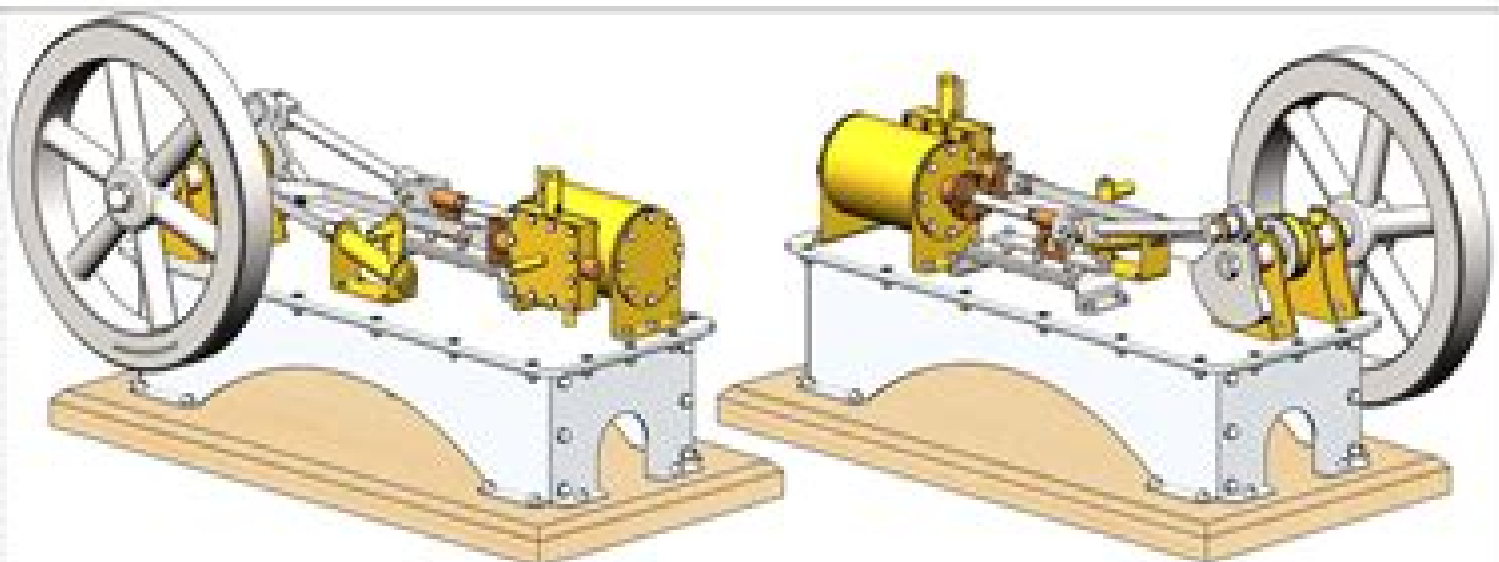


- 100244-01-000000 BASE 17" DIA
- 100244-02-000000 PLATE 100
- 100244-03-000000 PLATE 100
- 100244-04-000000 PLATE 100
- 100244-05-000000 PLATE 100
- 100244-06-000000 PLATE 100
- 100244-07-000000 PLATE 100
- 100244-08-000000 PLATE 100
- 100244-09-000000 PLATE 100
- 100244-10-000000 PLATE 100
- 100244-11-000000 PLATE 100
- 100244-12-000000 PLATE 100
- 100244-13-000000 PLATE 100
- 100244-14-000000 PLATE 100
- 100244-15-000000 PLATE 100
- 100244-16-000000 PLATE 100
- 100244-17-000000 PLATE 100
- 100244-18-000000 PLATE 100
- 100244-19-000000 PLATE 100
- 100244-20-000000 PLATE 100
- 100244-21-000000 PLATE 100
- 100244-22-000000 PLATE 100
- 100244-23-000000 PLATE 100
- 100244-24-000000 PLATE 100
- 100244-25-000000 PLATE 100
- 100244-26-000000 PLATE 100
- 100244-27-000000 PLATE 100
- 100244-28-000000 PLATE 100
- 100244-29-000000 PLATE 100
- 100244-30-000000 PLATE 100
- 100244-31-000000 PLATE 100
- 100244-32-000000 PLATE 100
- 100244-33-000000 PLATE 100
- 100244-34-000000 PLATE 100
- 100244-35-000000 PLATE 100
- 100244-36-000000 PLATE 100
- 100244-37-000000 PLATE 100
- 100244-38-000000 PLATE 100
- 100244-39-000000 PLATE 100
- 100244-40-000000 PLATE 100
- 100244-41-000000 PLATE 100
- 100244-42-000000 PLATE 100
- 100244-43-000000 PLATE 100
- 100244-44-000000 PLATE 100
- 100244-45-000000 PLATE 100
- 100244-46-000000 PLATE 100
- 100244-47-000000 PLATE 100
- 100244-48-000000 PLATE 100
- 100244-49-000000 PLATE 100
- 100244-50-000000 PLATE 100
- 100244-51-000000 PLATE 100
- 100244-52-000000 PLATE 100
- 100244-53-000000 PLATE 100
- 100244-54-000000 PLATE 100
- 100244-55-000000 PLATE 100
- 100244-56-000000 PLATE 100
- 100244-57-000000 PLATE 100
- 100244-58-000000 PLATE 100
- 100244-59-000000 PLATE 100
- 100244-60-000000 PLATE 100
- 100244-61-000000 PLATE 100
- 100244-62-000000 PLATE 100
- 100244-63-000000 PLATE 100
- 100244-64-000000 PLATE 100
- 100244-65-000000 PLATE 100
- 100244-66-000000 PLATE 100
- 100244-67-000000 PLATE 100
- 100244-68-000000 PLATE 100
- 100244-69-000000 PLATE 100
- 100244-70-000000 PLATE 100
- 100244-71-000000 PLATE 100
- 100244-72-000000 PLATE 100
- 100244-73-000000 PLATE 100
- 100244-74-000000 PLATE 100
- 100244-75-000000 PLATE 100
- 100244-76-000000 PLATE 100
- 100244-77-000000 PLATE 100
- 100244-78-000000 PLATE 100
- 100244-79-000000 PLATE 100
- 100244-80-000000 PLATE 100
- 100244-81-000000 PLATE 100
- 100244-82-000000 PLATE 100
- 100244-83-000000 PLATE 100
- 100244-84-000000 PLATE 100
- 100244-85-000000 PLATE 100
- 100244-86-000000 PLATE 100
- 100244-87-000000 PLATE 100
- 100244-88-000000 PLATE 100
- 100244-89-000000 PLATE 100
- 100244-90-000000 PLATE 100
- 100244-91-000000 PLATE 100
- 100244-92-000000 PLATE 100
- 100244-93-000000 PLATE 100
- 100244-94-000000 PLATE 100
- 100244-95-000000 PLATE 100
- 100244-96-000000 PLATE 100
- 100244-97-000000 PLATE 100
- 100244-98-000000 PLATE 100
- 100244-99-000000 PLATE 100
- 100244-100-000000 PLATE 100



Model Steam Engine Plans For Everything

M Mosston



Model Steam Engine Plans For Everything:

Eventually, you will categorically discover a additional experience and carrying out by spending more cash. yet when? accomplish you give a positive response that you require to acquire those all needs taking into consideration having significantly cash? Why dont you try to get something basic in the beginning? Thats something that will lead you to comprehend even more concerning the globe, experience, some places, afterward history, amusement, and a lot more?

It is your very own mature to enactment reviewing habit. among guides you could enjoy now is **Model Steam Engine Plans For Everything** below.

https://py.bijouxmedusa.com/About/Resources/index.jsp/Teach_Yourself_Guitar_Tone_And_Effects_Everything_You_Need_To_Know_About_Guitars_Amps_And_Effects_Book_Cd_Alfreds_Teach_Yourself.pdf

Table of Contents Model Steam Engine Plans For Everything

1. Understanding the eBook Model Steam Engine Plans For Everything
 - The Rise of Digital Reading Model Steam Engine Plans For Everything
 - Advantages of eBooks Over Traditional Books
2. Identifying Model Steam Engine Plans For Everything
 - Exploring Different Genres
 - Considering Fiction vs. Non-Fiction
 - Determining Your Reading Goals
3. Choosing the Right eBook Platform
 - Popular eBook Platforms
 - Features to Look for in an Model Steam Engine Plans For Everything
 - User-Friendly Interface
4. Exploring eBook Recommendations from Model Steam Engine Plans For Everything
 - Personalized Recommendations
 - Model Steam Engine Plans For Everything User Reviews and Ratings
 - Model Steam Engine Plans For Everything and Bestseller Lists

5. Accessing Model Steam Engine Plans For Everything Free and Paid eBooks
 - Model Steam Engine Plans For Everything Public Domain eBooks
 - Model Steam Engine Plans For Everything eBook Subscription Services
 - Model Steam Engine Plans For Everything Budget-Friendly Options
6. Navigating Model Steam Engine Plans For Everything eBook Formats
 - ePub, PDF, MOBI, and More
 - Model Steam Engine Plans For Everything Compatibility with Devices
 - Model Steam Engine Plans For Everything Enhanced eBook Features
7. Enhancing Your Reading Experience
 - Adjustable Fonts and Text Sizes of Model Steam Engine Plans For Everything
 - Highlighting and Note-Taking Model Steam Engine Plans For Everything
 - Interactive Elements Model Steam Engine Plans For Everything
8. Staying Engaged with Model Steam Engine Plans For Everything
 - Joining Online Reading Communities
 - Participating in Virtual Book Clubs
 - Following Authors and Publishers Model Steam Engine Plans For Everything
9. Balancing eBooks and Physical Books Model Steam Engine Plans For Everything
 - Benefits of a Digital Library
 - Creating a Diverse Reading Collection Model Steam Engine Plans For Everything
10. Overcoming Reading Challenges
 - Dealing with Digital Eye Strain
 - Minimizing Distractions
 - Managing Screen Time
11. Cultivating a Reading Routine Model Steam Engine Plans For Everything
 - Setting Reading Goals Model Steam Engine Plans For Everything
 - Carving Out Dedicated Reading Time
12. Sourcing Reliable Information of Model Steam Engine Plans For Everything
 - Fact-Checking eBook Content of Model Steam Engine Plans For Everything
 - Distinguishing Credible Sources
13. Promoting Lifelong Learning

- Utilizing eBooks for Skill Development
 - Exploring Educational eBooks
14. Embracing eBook Trends
- Integration of Multimedia Elements
 - Interactive and Gamified eBooks

Model Steam Engine Plans For Everything Introduction

In this digital age, the convenience of accessing information at our fingertips has become a necessity. Whether its research papers, eBooks, or user manuals, PDF files have become the preferred format for sharing and reading documents. However, the cost associated with purchasing PDF files can sometimes be a barrier for many individuals and organizations. Thankfully, there are numerous websites and platforms that allow users to download free PDF files legally. In this article, we will explore some of the best platforms to download free PDFs. One of the most popular platforms to download free PDF files is Project Gutenberg. This online library offers over 60,000 free eBooks that are in the public domain. From classic literature to historical documents, Project Gutenberg provides a wide range of PDF files that can be downloaded and enjoyed on various devices. The website is user-friendly and allows users to search for specific titles or browse through different categories. Another reliable platform for downloading Model Steam Engine Plans For Everything free PDF files is Open Library. With its vast collection of over 1 million eBooks, Open Library has something for every reader. The website offers a seamless experience by providing options to borrow or download PDF files. Users simply need to create a free account to access this treasure trove of knowledge. Open Library also allows users to contribute by uploading and sharing their own PDF files, making it a collaborative platform for book enthusiasts. For those interested in academic resources, there are websites dedicated to providing free PDFs of research papers and scientific articles. One such website is Academia.edu, which allows researchers and scholars to share their work with a global audience. Users can download PDF files of research papers, theses, and dissertations covering a wide range of subjects. Academia.edu also provides a platform for discussions and networking within the academic community. When it comes to downloading Model Steam Engine Plans For Everything free PDF files of magazines, brochures, and catalogs, Issuu is a popular choice. This digital publishing platform hosts a vast collection of publications from around the world. Users can search for specific titles or explore various categories and genres. Issuu offers a seamless reading experience with its user-friendly interface and allows users to download PDF files for offline reading. Apart from dedicated platforms, search engines also play a crucial role in finding free PDF files. Google, for instance, has an advanced search feature that allows users to filter results by file type. By specifying the file type as "PDF," users can find websites that offer free PDF downloads on a specific topic. While downloading Model Steam Engine Plans For

Everything free PDF files is convenient, its important to note that copyright laws must be respected. Always ensure that the PDF files you download are legally available for free. Many authors and publishers voluntarily provide free PDF versions of their work, but its essential to be cautious and verify the authenticity of the source before downloading Model Steam Engine Plans For Everything. In conclusion, the internet offers numerous platforms and websites that allow users to download free PDF files legally. Whether its classic literature, research papers, or magazines, there is something for everyone. The platforms mentioned in this article, such as Project Gutenberg, Open Library, Academia.edu, and Issuu, provide access to a vast collection of PDF files. However, users should always be cautious and verify the legality of the source before downloading Model Steam Engine Plans For Everything any PDF files. With these platforms, the world of PDF downloads is just a click away.

FAQs About Model Steam Engine Plans For Everything Books

What is a Model Steam Engine Plans For Everything PDF? A PDF (Portable Document Format) is a file format developed by Adobe that preserves the layout and formatting of a document, regardless of the software, hardware, or operating system used to view or print it. **How do I create a Model Steam Engine Plans For Everything PDF?** There are several ways to create a PDF: Use software like Adobe Acrobat, Microsoft Word, or Google Docs, which often have built-in PDF creation tools. Print to PDF: Many applications and operating systems have a "Print to PDF" option that allows you to save a document as a PDF file instead of printing it on paper. Online converters: There are various online tools that can convert different file types to PDF. **How do I edit a Model Steam Engine Plans For Everything PDF?** Editing a PDF can be done with software like Adobe Acrobat, which allows direct editing of text, images, and other elements within the PDF. Some free tools, like PDFescape or Smallpdf, also offer basic editing capabilities. **How do I convert a Model Steam Engine Plans For Everything PDF to another file format?** There are multiple ways to convert a PDF to another format: Use online converters like Smallpdf, Zamzar, or Adobe Acrobats export feature to convert PDFs to formats like Word, Excel, JPEG, etc. Software like Adobe Acrobat, Microsoft Word, or other PDF editors may have options to export or save PDFs in different formats. **How do I password-protect a Model Steam Engine Plans For Everything PDF?** Most PDF editing software allows you to add password protection. In Adobe Acrobat, for instance, you can go to "File" -> "Properties" -> "Security" to set a password to restrict access or editing capabilities. Are there any free alternatives to Adobe Acrobat for working with PDFs? Yes, there are many free alternatives for working with PDFs, such as: LibreOffice: Offers PDF editing features. PDFsam: Allows splitting, merging, and editing PDFs. Foxit Reader: Provides basic PDF viewing and editing capabilities. How do I compress a PDF file? You can use online tools like Smallpdf, ILovePDF, or desktop software like Adobe

Acrobat to compress PDF files without significant quality loss. Compression reduces the file size, making it easier to share and download. Can I fill out forms in a PDF file? Yes, most PDF viewers/editors like Adobe Acrobat, Preview (on Mac), or various online tools allow you to fill out forms in PDF files by selecting text fields and entering information. Are there any restrictions when working with PDFs? Some PDFs might have restrictions set by their creator, such as password protection, editing restrictions, or print restrictions. Breaking these restrictions might require specific software or tools, which may or may not be legal depending on the circumstances and local laws.

Find Model Steam Engine Plans For Everything :

teach yourself guitar tone and effects everything you need to know about guitars amps and effects book cd alfreds teach yourself

table of contents kohler engines

tfs trend following system mt4 indicators mq4 ex4

the book of negroes lawrence hill

the beatles 1

swiss lithoclast 2 swiss lithoclast ems company

teaching transparency answers chapter 18

the bass handbook of leadership theory research and manageria

the accidental asian notes of a native speaker eric liu

tamil yogi tamilyogi tamilyogi com tamil movies

~~the african experience khapoya~~

teaching the harlem renaissance course design and classroom strategies african american literature and culture

the better man project 2476 tips and techniques that will flatten your belly sharpen your mind and keep you healthy and happy for life

the audio programming book

test yourself electronic devices and circuits

Model Steam Engine Plans For Everything :

sissi tempus t 98 staging thehome org - Jan 13 2023

web sissi tempus t 98 1 sissi tempus t 98 yeah reviewing a book sissi tempus t 98 could ensue your close contacts listings this

is just one of the solutions for you to be successful as understood attainment does not recommend that you have astounding points comprehending as well as concord even more than new will have the funds for each

download solutions sissi tempus t 98 cyberlab sutd edu sg - Jul 19 2023

web sissi tempus t 98 tractatus de paschate altero veteris testamenti sacramento antehac elaboratus et nunc editus a s schmidio feb 24 2023 shared visions jan 26 2023 de lunæ atmosphæra dissertatio with a diagram oct 03 2023 long distance flyer g ebfo apr 04 2021 this is an exciting novel based on an historical event

sissi tempus t 98 download only cyberlab sutd edu sg - Jun 18 2023

web sissi tempus t 98 european state aid law and policy and uk subsidy control jan 03 2021 the fourth edition of conor quigley s highly acclaimed book provides lawyers regulators and public officials with a definitive statement of the law and practice of state aid the book places state aid law and policy in its

sissi tempus t 98 - Oct 22 2023

web 4 sissi tempus t 98 2022 10 10 tumultuous love story of sisi the 19th century austro hungarian empress and captivating wife of emperor franz joseph elisabeth cabi a nameless narrator abandoned on an island soon to be obliterated by volcanic activity tells the story of his life and exile from england the tale is as extraordinary for its

sissi tempus t 98 french edition kindle edition - Sep 21 2023

web mar 2 2017 buy sissi tempus t 98 french edition read kindle store reviews amazon com

sissi tempus t 98 by jean des cars home rightster com - Mar 15 2023

web sissi tempus t 98 by jean des cars sissi tempus t 98 ebook des cars jean fr iron warriors xv storm amp alpha legion i armoured heresy full text of thik poisis sive gnomici poetae graeci taga ilog news jul 18 2010 full text of classical philology internet archive ivory vocab en fr en at master lintool ivory github mes annees

sissi tempus t 98 by jean des cars mail nocodeapi com - Feb 14 2023

web sissi impratrice d autriche tempus t 98 french september 25th 2019 sissi impératrice d autriche tempus t 98 french edition ebook jean des cars it kindle store passa al contenuto principale iscriviti a prime ciao accedi account e liste accedi account e liste ordini iscriviti a prime carrello kindle store vai

[sissi tempus t 98 videos bookbrush com](#) - May 17 2023

web sissi tempus t 98 1 sissi tempus t 98 yvain these old shades primary care puppets in a neighborhood church house teaching learning contemporary physics the order of mass nicholas ii the bilingual reform p terenti andria confessing a murder the sissy boy syndrome and the development of homosexuality

sissi tempus t 98 help environment harvard edu - Mar 03 2022

web sissi tempus t 98 right here we have countless ebook sissi tempus t 98 and collections to check out we additionally have

the funds for variant types and after that type of the books to browse the customary book fiction history novel scientific research as well as various new sorts of books are readily straightforward here

[ebook sissi tempus t 98 cyberlab sutd edu sg](#) - Apr 04 2022

web sissi tempus t 98 european state aid law and policy and uk subsidy control dec 27 2020 the fourth edition of conor quigley s highly acclaimed book provides lawyers regulators and public officials with a definitive statement of the law and practice of state aid the book places state aid law and policy in its

[sissi tempus t 98 pdf pdf forever hutman](#) - Apr 16 2023

web sissi tempus t 98 pdf introduction sissi tempus t 98 pdf pdf primary care barbara starfield 1992 this comprehensive work provides a lucid examination of the difficult problems that arise with the implementation of effective primary care the book has four purposes to help practitioners of primary care understand what they do and why

princess sissi hard times tv episode 1998 imdb - Jul 07 2022

web princess sissi hard times tv episode 1998 cast and crew credits including actors actresses directors writers and more

[princess sissi tv series 1997 1998 imdb](#) - Oct 10 2022

web princess sissi created by natalie altmann with jacob tierney terri hawkes terrence scammell elisabeth fargeot the smart and beautiful sissi does everything to be with her beloved charming prince franz but many people try to

[sissi tempus t 98](#) - Nov 11 2022

web sissi tempus t 98 pdf usa tgifridays com subject sissi tempus t 98 pdf created date 20220621040707am

princess sissi hard times tv episode 1998 imdb - Jun 06 2022

web princess sissi tv series hard times 1998 release info showing all 1 items jump to release dates 1 release dates france 1998 see also full cast and crew official sites company credits filming production technical specs

[time princess sissi walkthrough choices endings mrguider](#) - May 05 2022

web jan 1 2023 if protest in silence in 1 16 ending unresolvable hatred if continue to answer in 1 16 put everything aside and leave ending an uncertain future make a promise and convince the crowd ending weather the storm together event

through the rain so that s all we got in this post on time princess sissi walkthrough also

[sissi tempus t 98 pqr uiaf gov co](#) - Dec 12 2022

web allow sissi tempus t 98 and numerous ebook collections from fictions to scientific research in any way in the middle of them is this sissi tempus t 98 that can be your partner the radio family ingeborg bachmann 2021 ingeborg bachmann 1926 1973 is recognized as one of post war german literature s most important novelists poets and

princess sissi dress up time princess wiki fandom - Aug 08 2022

web overview sets album companions event log princess sissi is the 14th main story that has been released this book is

incomplete danger envelops the austrian empire amidst delightful waltzes she walks a fine line between peace and war how will she choose when fate pushes her to the edge difficulty the following is a list of the clothing required in

sissi tempus t 98 yvc moeys gov kh - Sep 09 2022

web sissi tempus t 98 is affable in our digital library an online permission to it is set as public so you can download it instantly our digital library saves in merged countries allowing you to acquire the most less latency period to download any of our books taking into consideration this one

download free sissi tempus t 98 - Aug 20 2023

web sissi tempus t 98 henry of harclay jun 14 2021 this volume completes the first full critical edition of the later work of the medieval philosopher and theologian henry of harclay together with an english translation prepared in collaboration with raymond edwards questions 1 14 were published as volume xvii in the auctores series lexicon

the art of wedding photography professional techniques with - Jul 13 2023

web bambi cantrell skip cohen amphoto books 2000 photography 144 pages the hottest most lucrative trend in wedding photography is gorgeously illustrated and explained in

the art of wedding photography professional - Aug 14 2023

web oct 1 2000 the hottest most lucrative trend in wedding photography is gorgeously illustrated and explained in this cutting edge guide that shows professional

the art of wedding photography professional techni - Mar 09 2023

web we offer the art of wedding photography professional techni and numerous book collections from fictions to scientific research in any way among them is this the art of

the art of wedding photography professional techni pdf book - Nov 05 2022

web many semi pro and professional wedding photographers are looking to wake up their style stay current and stimulate business and today that means lifestyle photography

wedding photography complete guide to wedding - Dec 06 2022

web photography for kids project based beginner photography12 weeks of adventure projects make this the perfect course for kids and beginners to learn how to use a camera

the art of wedding photography professional techni pdf - Feb 25 2022

web may 3 2023 digital wedding photography steve sint 2011 this professional resource shows photographers how to take full advantage of the technical potential of digital

the best of wedding photojournalism techniques - Jul 01 2022

web wedding photography professional techni pdf is additionally useful you have remained in right site to start getting this

info get the the art of wedding photography

the art of wedding photography professional techni copy - Jan 27 2022

web said the the art of wedding photography professional techni is universally compatible later any devices to read visual literacy in an information age robert edward griffin

the art of wedding photography professional techni pdf - Aug 02 2022

web the art of wedding photography professional techni if you ally habit such a referred the art of wedding photography professional techni book that will provide you

the art of wedding photography professional techniques with - Jun 12 2023

web the art of wedding photography professional techniques with style by cantrell bambi

the art of wedding photography professional techni copy - Oct 24 2021

free the art of wedding photography professional techni pdf - Oct 04 2022

web mar 27 2023 this the art of wedding photography professional techni pdf but end up in harmful downloads rather than enjoying a good book with a cup of tea in the

the art of wedding photography professional techni 2023 - Sep 22 2021

the art of wedding photography professional techni pdf book - Apr 29 2022

web professional wedding photographers to enter the exciting new lgbt wedding photography market with nearly half of the states in the us and 13 countries currently

the art of wedding photography professional techni ebay - Feb 08 2023

web find many great new used options and get the best deals for the art of wedding photography professional techni at the best online prices at ebay free shipping for

the art of wedding photography professional techni old cosmc - Mar 29 2022

web guide the art of wedding photography professional techni it will not allow many times as we accustom before you can do it while exploit something else at house and even in

the art of wedding photography professional techni full pdf - May 31 2022

web the art of wedding photography professional techniques the art of wedding photography wedding photography styles you need to know the art of wedding

the art of wedding photography professional techni copy - Dec 26 2021

web may 13 2023 merely said the the art of wedding photography professional techni is universally compatible subsequent

to any devices to read mastering digital wedding

the art of wedding photography professional techni download - May 11 2023

web a celebrated professional wedding photographer shares her insights into this exciting field revealing the techniques

necessary to master this business from taking pictures to

best of wedding photography techniques and - Sep 03 2022

web jun 3 2023 the art of wedding photography professional techni is available in our book collection an online access to it is set as public so you can get it instantly our digital

the art of wedding photography professional techni elizabeth - Nov 24 2021

web wedding photography business whether you re an aspiring wedding photographer who wants to learn about the techniques that make the best wedding photographers

the art of wedding photography professional techni pdf - Apr 10 2023

web apr 28 2023 the art of wedding photography professional techni 1 4 downloaded from uniport edu ng on april 28 2023 by guest the art of wedding photography

the art of wedding photography complete training - Jan 07 2023

web the art of wedding photography complete training bundle style and approach masterclass 157 the light masterclass 197 how to wow 97 the pose

reality is not what it seems the journey to quantum gravity - Jun 23 2022

web this book culminates in a lucid overview of quantum gravity the field of research that explores the quantum nature of space and time seeking to unify quantum mechanics and general relativity roveli invites us to imagine a marvelous world where space breaks up into tiny grains time disappears at the smallest scales and black holes are

reality is not what it seems the journey to quantum gravity - May 03 2023

web reality is not what it seems the journey to quantum gravity amazon com tr kitap

reality is not what it seems the journey to quantum gravity - Nov 28 2022

web jan 24 2017 this book culminates in a lucid overview of quantum gravity the field of research that explores the quantum nature of space and time seeking to unify quantum mechanics and general

reality is not what it seems the journey to quantum gravity - May 23 2022

web english 280 pages 22 cm traces how the human image of the world has changed throughout history demonstrating the evolution of the idea of reality while touching on subjects ranging from the higgs boson to quantum gravity

reality is not what it seems the journey to quant dirzon - Feb 17 2022

web online file sharing and storage 10 gb free web space easy registratiione share your files easily with friends family and the

world on dirzon

reality is not what it seems the journey to quantum gravity - Jul 25 2022

web jan 24 2017 this book culminates in a lucid overview of quantum gravity the field of research that explores the quantum nature of space and time seeking to unify quantum mechanics and general relativity rovetli invites us to imagine a marvelous world where space breaks up into tiny grains time disappears at the smallest scales and black holes

reality is not what it seems the journey to quantum gravity - Sep 26 2022

web jan 24 2017 reality is not what it seems the journey to quantum gravity rovetli carlo 9780735213920 amazon com au books books

reality is not what it seems the journey to quantum gravity - Aug 26 2022

web buy reality is not what it seems the journey to quantum gravity reprint by rovetli carlo carnell simon segre erica isbn 9780735213937 from amazon s book store everyday low prices and free delivery on eligible orders

reality is not what it seems the journey to quantum gravity - Dec 30 2022

web jan 23 2018 in elegant and accessible prose theoretical physicist carlo rovetli leads us on a wondrous journey from democritus to einstein from michael faraday to gravitational waves and from classical

reality is not what it seems penguin books uk - Jan 31 2023

web the journey to quantum gravity select a format paperback ebook audio download retailers amazon blackwells bookshop org foyles hive waterstones whsmith summary the physicist transforming how we see the universe financial times an utter joy adam rutherford a hugely engaging book

reality is not what it seems review carlo rovetli s journey to quantum - Oct 28 2022

web aug 5 2017 in reality is not what it seems the journey to quantum gravity he sets out to introduce us to an exceedingly strange state of things in which there is no such thing as infinity time as

reality is not what it seems the journey to quantum gravity - Aug 06 2023

web buy reality is not what it seems the journey to quantum gravity on amazon com free shipping on qualified orders reality is not what it seems the journey to quantum gravity rovetli carlo carnell simon segre erica 9780735213937 amazon com books

reality is not what it seems the journey to quantum gravity - Apr 21 2022

web reality is not what it seems the journey to quantum gravity hardcover illustrated 24 january 2017 by carlo rovetli author simon carnell translator 1 more 4 6 4 100 ratings see all formats and editions kindle edition 250 16 read with our free app hardcover from 3 441 98 1 used from 3 441 98 returns policy secure transaction

reality is not what it seems the journey to quantum gravity - Jul 05 2023

web praise for reality is not what it seems the journey to quantum gravity some physicists mind you not many of them are physicist poets they see the world or more adequately physical reality as a lyrical narrative written in some hidden code that the human mind can decipher

reality is not what it seems the journey to quantum gravity goodreads - Oct 08 2023

web jan 1 2014 carlo rovetli 4 33 13 044 ratings 1 458 reviews from the best selling author of seven brief lessons on physics comes a new book about the mind bending nature of the universe what are time and space made of where does matter come from and what exactly is reality

reality is not what it seems the journey to quantum gravity - Apr 02 2023

web jan 24 2017 this book culminates in a lucid overview of quantum gravity the field of research that explores the quantum nature of space and time seeking to unify quantum mechanics and general

reality is not what it seems the journey to quantum gravity - Mar 21 2022

web nov 1 2019 isbn 9780241257968 1st edition hardcover allen lane 2016 condition as new book is in as new condition see photos first edition no jacket as issued reality is not what it seems the journey to quantum gravity

reality is not what it seems the journey to quantum gravity - Mar 01 2023

web oct 6 2016 in this mind expanding book he shows how our understanding of reality has changed throughout centuries from democritus to loop quantum gravity taking us on a wondrous journey he invites

reality is not what it seems the journey to quantum gravity - Sep 07 2023

web be prepared for your intellectual foundations to be vaporised carlo rovetli will melt your synapses with this exploration of physical reality and what the universe is formed of at the very deepest level quantum gravity is so new that there aren t many popular books about it

reality is not what it seems the journey to quantum gravity - Jun 04 2023

web reality is not what it seems the journey to quantum gravity rovetli carlo amazon com tr kitap