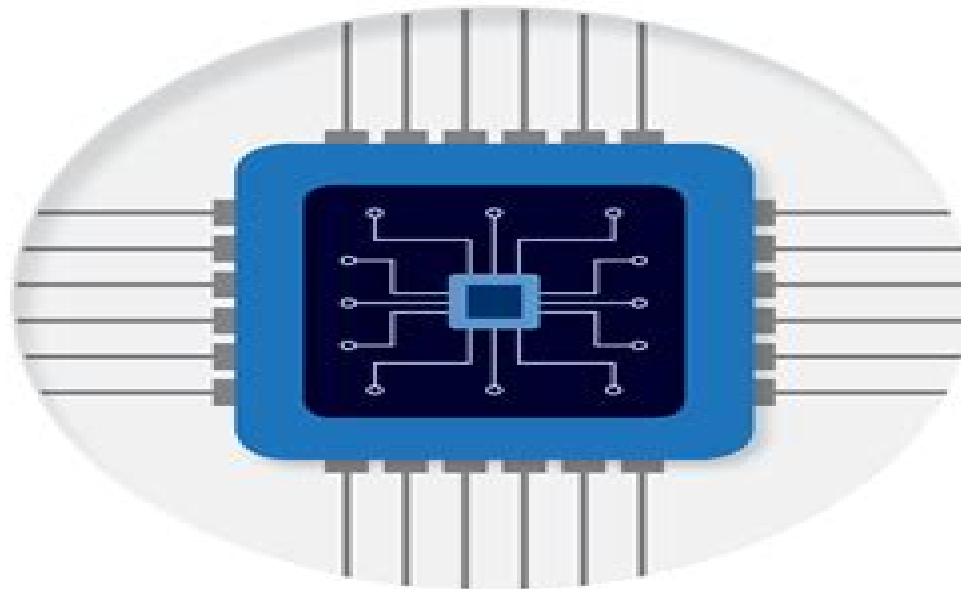


SEDRA/SMITH

Microelectronic Circuits

EIGHTH EDITION

ADEL S. SEDRA | KENNETH C. SMITH | TONY CHAN CARUSONE | VINCENT GAUDET



Microelectronic Circuits 5th Edition Scribd

Joacim Rocklöv



Microelectronic Circuits 5th Edition Scribd:

Immerse yourself in the artistry of words with Crafted by is expressive creation, **Microelectronic Circuits 5th Edition Scribd** . This ebook, presented in a PDF format (*), is a masterpiece that goes beyond conventional storytelling. Indulge your senses in prose, poetry, and knowledge. Download now to let the beauty of literature and artistry envelop your mind in a unique and expressive way.

https://py.bijouxmedusa.com/About/Resources/fetch.php/remote_jobs_explained_america_25_1902_remote_jobs_explained_united.pdf

Table of Contents Microelectronic Circuits 5th Edition Scribd

1. Understanding the eBook Microelectronic Circuits 5th Edition Scribd
 - The Rise of Digital Reading Microelectronic Circuits 5th Edition Scribd
 - Advantages of eBooks Over Traditional Books
2. Identifying Microelectronic Circuits 5th Edition Scribd
 - Exploring Different Genres
 - Considering Fiction vs. Non-Fiction
 - Determining Your Reading Goals
3. Choosing the Right eBook Platform
 - Popular eBook Platforms
 - Features to Look for in an Microelectronic Circuits 5th Edition Scribd
 - User-Friendly Interface
4. Exploring eBook Recommendations from Microelectronic Circuits 5th Edition Scribd
 - Personalized Recommendations
 - Microelectronic Circuits 5th Edition Scribd User Reviews and Ratings
 - Microelectronic Circuits 5th Edition Scribd and Bestseller Lists
5. Accessing Microelectronic Circuits 5th Edition Scribd Free and Paid eBooks
 - Microelectronic Circuits 5th Edition Scribd Public Domain eBooks
 - Microelectronic Circuits 5th Edition Scribd eBook Subscription Services

- Microelectronic Circuits 5th Edition Scribd Budget-Friendly Options
- 6. Navigating Microelectronic Circuits 5th Edition Scribd eBook Formats
 - ePub, PDF, MOBI, and More
 - Microelectronic Circuits 5th Edition Scribd Compatibility with Devices
 - Microelectronic Circuits 5th Edition Scribd Enhanced eBook Features
- 7. Enhancing Your Reading Experience
 - Adjustable Fonts and Text Sizes of Microelectronic Circuits 5th Edition Scribd
 - Highlighting and Note-Taking Microelectronic Circuits 5th Edition Scribd
 - Interactive Elements Microelectronic Circuits 5th Edition Scribd
- 8. Staying Engaged with Microelectronic Circuits 5th Edition Scribd
 - Joining Online Reading Communities
 - Participating in Virtual Book Clubs
 - Following Authors and Publishers Microelectronic Circuits 5th Edition Scribd
- 9. Balancing eBooks and Physical Books Microelectronic Circuits 5th Edition Scribd
 - Benefits of a Digital Library
 - Creating a Diverse Reading Collection Microelectronic Circuits 5th Edition Scribd
- 10. Overcoming Reading Challenges
 - Dealing with Digital Eye Strain
 - Minimizing Distractions
 - Managing Screen Time
- 11. Cultivating a Reading Routine Microelectronic Circuits 5th Edition Scribd
 - Setting Reading Goals Microelectronic Circuits 5th Edition Scribd
 - Carving Out Dedicated Reading Time
- 12. Sourcing Reliable Information of Microelectronic Circuits 5th Edition Scribd
 - Fact-Checking eBook Content of Microelectronic Circuits 5th Edition Scribd
 - Distinguishing Credible Sources
- 13. Promoting Lifelong Learning
 - Utilizing eBooks for Skill Development
 - Exploring Educational eBooks
- 14. Embracing eBook Trends

- Integration of Multimedia Elements
- Interactive and Gamified eBooks

Microelectronic Circuits 5th Edition Scribd Introduction

Microelectronic Circuits 5th Edition Scribd Offers over 60,000 free eBooks, including many classics that are in the public domain. Open Library: Provides access to over 1 million free eBooks, including classic literature and contemporary works. Microelectronic Circuits 5th Edition Scribd Offers a vast collection of books, some of which are available for free as PDF downloads, particularly older books in the public domain. Microelectronic Circuits 5th Edition Scribd : This website hosts a vast collection of scientific articles, books, and textbooks. While it operates in a legal gray area due to copyright issues, its a popular resource for finding various publications. Internet Archive for Microelectronic Circuits 5th Edition Scribd : Has an extensive collection of digital content, including books, articles, videos, and more. It has a massive library of free downloadable books. Free-eBooks Microelectronic Circuits 5th Edition Scribd Offers a diverse range of free eBooks across various genres. Microelectronic Circuits 5th Edition Scribd Focuses mainly on educational books, textbooks, and business books. It offers free PDF downloads for educational purposes. Microelectronic Circuits 5th Edition Scribd Provides a large selection of free eBooks in different genres, which are available for download in various formats, including PDF. Finding specific Microelectronic Circuits 5th Edition Scribd, especially related to Microelectronic Circuits 5th Edition Scribd, might be challenging as theyre often artistic creations rather than practical blueprints. However, you can explore the following steps to search for or create your own Online Searches: Look for websites, forums, or blogs dedicated to Microelectronic Circuits 5th Edition Scribd, Sometimes enthusiasts share their designs or concepts in PDF format. Books and Magazines Some Microelectronic Circuits 5th Edition Scribd books or magazines might include. Look for these in online stores or libraries. Remember that while Microelectronic Circuits 5th Edition Scribd, sharing copyrighted material without permission is not legal. Always ensure youre either creating your own or obtaining them from legitimate sources that allow sharing and downloading. Library Check if your local library offers eBook lending services. Many libraries have digital catalogs where you can borrow Microelectronic Circuits 5th Edition Scribd eBooks for free, including popular titles. Online Retailers: Websites like Amazon, Google Books, or Apple Books often sell eBooks. Sometimes, authors or publishers offer promotions or free periods for certain books. Authors Website Occasionally, authors provide excerpts or short stories for free on their websites. While this might not be the Microelectronic Circuits 5th Edition Scribd full book , it can give you a taste of the authors writing style. Subscription Services Platforms like Kindle Unlimited or Scribd offer subscription-based access to a wide range of Microelectronic Circuits 5th Edition Scribd eBooks, including some popular titles.

FAQs About Microelectronic Circuits 5th Edition Scribd Books

How do I know which eBook platform is the best for me? Finding the best eBook platform depends on your reading preferences and device compatibility. Research different platforms, read user reviews, and explore their features before making a choice. Are free eBooks of good quality? Yes, many reputable platforms offer high-quality free eBooks, including classics and public domain works. However, make sure to verify the source to ensure the eBook credibility. Can I read eBooks without an eReader? Absolutely! Most eBook platforms offer webbased readers or mobile apps that allow you to read eBooks on your computer, tablet, or smartphone. How do I avoid digital eye strain while reading eBooks? To prevent digital eye strain, take regular breaks, adjust the font size and background color, and ensure proper lighting while reading eBooks. What the advantage of interactive eBooks? Interactive eBooks incorporate multimedia elements, quizzes, and activities, enhancing the reader engagement and providing a more immersive learning experience. Microelectronic Circuits 5th Edition Scribd is one of the best book in our library for free trial. We provide copy of Microelectronic Circuits 5th Edition Scribd in digital format, so the resources that you find are reliable. There are also many Ebooks of related with Microelectronic Circuits 5th Edition Scribd. Where to download Microelectronic Circuits 5th Edition Scribd online for free? Are you looking for Microelectronic Circuits 5th Edition Scribd PDF? This is definitely going to save you time and cash in something you should think about. If you trying to find then search around for online. Without a doubt there are numerous these available and many of them have the freedom. However without doubt you receive whatever you purchase. An alternate way to get ideas is always to check another Microelectronic Circuits 5th Edition Scribd. This method for see exactly what may be included and adopt these ideas to your book. This site will almost certainly help you save time and effort, money and stress. If you are looking for free books then you really should consider finding to assist you try this. Several of Microelectronic Circuits 5th Edition Scribd are for sale to free while some are payable. If you arent sure if the books you would like to download works with for usage along with your computer, it is possible to download free trials. The free guides make it easy for someone to free access online library for download books to your device. You can get free download on free trial for lots of books categories. Our library is the biggest of these that have literally hundreds of thousands of different products categories represented. You will also see that there are specific sites catered to different product types or categories, brands or niches related with Microelectronic Circuits 5th Edition Scribd. So depending on what exactly you are searching, you will be able to choose e books to suit your own need. Need to access completely for Campbell Biology Seventh Edition book? Access Ebook without any digging. And by having access to our ebook online or by storing it on your computer, you have convenient answers with Microelectronic Circuits 5th Edition Scribd To get started finding Microelectronic Circuits 5th Edition Scribd, you are right to find our website which has a comprehensive collection of books online. Our library is the biggest of these that have literally hundreds of thousands of different products represented. You will also see that there are

web maana za fasihi eleza kwa kina maana mbalimbali zinazozungumzia maana ya fasihi kisha eleza ubora na udhaifu wa kila fasili maana fasihi ni sanaa ambayo hutumia lugha katika kufikisha ujumbe wake wataalamu mbalimbali wamejaribu kutoa maana ya fasihi hivyo zipo maana nyingi zinazozungumzia maana ya fasihi

[nadharia mbalimbali zinazoeleza maana ya fasihi mwalimu](#) - Jul 14 2023

web nadharia mbalimbali zinazojaribu kueleza maana ya fasihi ni 1 fasihi ni kioo maana yake ni kwamba fasihi ni kioo ambacho mtu anaweza akajitazama na kuona taswira yake nadharia hii inakumbana na changamoto mbili kwanza kioo hakiwezi kumweleza mtu ni wapi anatakiwa ajirekebishe pili huwezi ukajiona sehemu zote katika kioo 2 fasihi ni hisi *maana ya nadharia na maana ya fasihi mwalimu kinoti* - Feb 09 2023

web wafula na njogu 2007 wanasema kuwa nadharia ya fasihi ni mwongozo unaomwezesha msomaji wa kazi ya fasihi kuifahamu kazi ya fasihi katikatika vipengele vyake vyote nadharia ya fasihi ni mfumo wa mawazo ya kifalsafa ambayo hubainisha maisha ya binadamu na mazingira yake

doc nadharia ya fasihi mogire dianah academia edu - Aug 15 2023

web mogire dianah fasihi ni nini wapo wataalamu mbalimbali ambao wamekuwa na dhana tofauti tofauti kuhusu maana ya istilahi fasihi na wamejaribu kutoa maana mbalimbali hivyo basi katika sehemu hii tutaangalia baadhi ya maelezo

yaliyotolewa na baadhi ya wataalamu wa fasihi kufasili maana ya fasihi f 0 d 8 fasihi ni kazi ya sanaa

matumizi ya utanzia katika riwaya teule za said ahmed - Mar 30 2022

web aug 21 2019 hali hii imesababisha tatizo katika kuzielewa kazi mbalimbali za fasihi ya kiswahili utafiti ulitumia nadharia ya mwitiko wa msomaji ambayo ilitumika kwa kupata fikra binafsi za wasomaji kutokana na uelewa wao wa vitabu teule walivyovisoma uchambuzi wa data uliegemea katika maelezo kwa kuwa utafiti huu ni wa kitaamuli

nadharia ya fasihi na mitazamo mbalimbali docx course hero - Jul 02 2022

web nadharia ya fasihi mitazamo mbalimbali ya fasili ya fasihi hali ya mabadiliko ya jamii kutokana na siasa utawala elimu uchumi sayansi na teknolojia vyote hivi katika maendeleo vitatoboa mwamvuli na kuziharibu amali zilizohifadhiwa 4

nadharia ya fasihi fasihi simulizi mwalimu makoba - Aug 03 2022

web kwa kuwa fasihi simulizi ni dhana pana wataalamu wengi wameeleza maana yake fasihi simulizi ni aina ya fasihi ambayo hutumia mdomo katika kuumbwa kuwasilishwa na kusambazwa kwa wasikilizaji na watumiaji wake matheu 1983 fasihi simulizi ni masimulizi tunayopokea mdomo kwa mdomo si masimulizi yaliyoandikwa tangu awali

[nadharia katika uchambuzi wa kazi za fasihi na mwalimu mwingisi](#) - Jun 13 2023

web nadharia nyingi zimewekwa ili kuhakiki kazi hizi za fasihi kwanza dhana hii ya nadharia imetolewa maelezo na wasomi mbalimbali kama vile j s mdee na wenzake 2011 wanaeleza kwamba nadharia ni mpango wa mawazo uliotungwa ili kuelekeza jinsi ya kufanya au kutekeleza jambo fulani

jivunie kiswahili historia ya nadharia ya fasihi - Feb 26 2022

web jun 12 2014 historia ya nadharia ya fasihi simulizi historia ya nadharia ya fasihi simulizi ilianza katika elimu ya ushairi balagha n k ya wagiriki toka karne ya 18 katika karne ya 20 nadharia hii imekuwa ni mkabala mkubwa katika usomaji wa matini kuna nadharia mbalimbali za kifasihi kama vile umuundo umarksi ufeministi nk

nadharia zinazoelezea chimbuko la fasihi simulizi masimulizi - Jan 08 2023

web nadharia zinazoelezea chimbuko la fasihi simulizi masimulizi kazi hii tumeigawa katika sehemu tatu ambazo ni utangulizi katika sehemu hii tutatoa fasili ya nadharia na fasili ya ngano kwa mujibu wa wataalamu mbalimbali

null nadharia za fasihi dhana ya nadharia maana ya nadharia - Sep 04 2022

web mar 5 2023 nadharia hii ilifuata nadharia ya uhalisia hakiki uhalisia wa kijamaa ni nadharia ya kutunga na kuhakiki kazi za kifasihi inayonua kuonyesha jamii katika uyakinifu wake na kuonyesha hatua zake za kimabadiliko baadhi ya waasisi wa nadharia hii ni george lukacs marxim gorki zhadnov na wengine wengi

nadharia za uhakiki kama mchakato wa kutaalamisha usomaji wa fasihi - Oct 05 2022

web za fasihi anuwai zinaweza kutazamwa kwa mujibu wa mihimili ya nadharia moja katika muktadha huu nadharia imekuwa kama mkakati wa kuzikagua kazi hizo za fasihi nadharia vilevile zimekuwa kama kichocheo cha utafiti mpya kwa kujaribiwa katika miktadha mbalimbali baadhi ya nadharia zimebidika kunyambuliwa au

nadharia ya fasihi tazpedia com - Jan 28 2022

web nadharia ya fasihi sanaa sanaa ni uzuri unaojitokeza katika umbo lililosanifu umbo ambalo msanii hulitumia katika kufikishia ujumbe aliokusudia kwa jamii hadhira aina za sanaa a sanaa za ghibu muziki inategemea na matumizi ya ala za muziki vifaa sauti uzuri wa umbo la sanaa ya muziki upo katika kusikia

doc asili ya fasihi simulizi mogire dianah academia edu - Dec 27 2021

web mogire dianah nakungah 2011 katika mtandao anasema fasihi ni sanaa ya lugha iwasilishayo tajiriba zinazomwathiri binadamu misingi ya fasihi huwa katika ubunifu wa kuteua kupanga na kunakili tajiriba mbalimbali za maisha kwake yeye fasihi huhusika na udhihirishaji wa tajiriba za binadamu katika maisha yake

mada itikadi na ufundishaji wa nadharia za uhakiki wa fasihi - Dec 07 2022

web maana ya itikadi itikadi ni istilahi ya kimsingi katika nyugo za kiutamaduni za fasihi na taaluma zinazohusu filamu maana ya istilahi itikadi kiasilia inatokana na maandishi ya mwanafalsafawa kijerumani karl marx na mwenzake friedrich engels abdulla mansur na wenzake 2014

pdf muingiliano matini katika fasihi mfano wa vipera vya fasihi - Mar 10 2023

web jan 9 2020 pdf ikisiri mwingiliano matini ni mojawapo ya nadharia za uchambuzi wa kazi za fasihi ambayo imetumiwa sana na wahakiki wa kazi za fasihi katika find read and cite all the research you

[nadharia za uhakiki wa fasihi kisw 212 nadharia za](#) - Apr 11 2023

web uhakiki sawa na fasihi ni dhana ambayo imeelezwa kwa njia tofauti na wataalamu mbali mbali hata hivyo wote wameeleza dhana ya uhakiki kwa kuihusisha na fasihi tutaanza kwa kunukuu maoni yawataalum mbali mbali kisha tuyaunganishe pamoja ili kutoa fasili moja itakayotungoza katika kuelewadhana hii ya uhakiki
university of dar es salaam journals - Nov 06 2022

web zake za fasihi hasa za hivi karibuni ambazo ni za majaribio madhumuni makuu ya makala hii ni kuona ni misingi gani na nguvu zipi za kijamii zinazoibusha na zinazoendelea kuainisha nadharia na falsafa za mikururo mbalimbali ya fasihi na za ubunaji wa kazi za fasihi mhakiki adili mitazamo mbalimbali kuhusu mhakiki adili imejitokeza katika nyakati

nadharia katika uchambuzi wa kazi za fas studocu - Apr 30 2022

web mar 1 2020 nadharia nyingi zimewekwa ili kuhakiki kazi hizi za fasihi kwanza dhana hii ya nadharia imetolewa maelezo na wasomi mbalimbali kama vile j s mdee na wenzake 2011 wanaeleza kwamba nadharia ni mpango wa mawazo uliotungwa ili kuelekeza jinsi ya kufanya au kutekeleza jambo fulani

nadharia ya fasihi linganishi mkabala wa kinadharia - Jun 01 2022

web nadharia ya fasihi linganishi na matumizi yake lakini mazingira hayo yakienda sambamba na lugha ya kiingereza ambayo imekitwa katika taaluma nyingi za nasaba yake vi kutambua nadharia na mbinu za fasihi linganishi zinazolengwa na uhusishwaji wa utafiti na uchambuzi wake kwa lengo la kutolea ushahidi

sciences de la vie et de la terre sixia me specia pdf - Apr 11 2023

web sciences de la vie et de la terre sixia me specia but end up in infectious downloads rather than enjoying a good book with a cup of tea in the afternoon instead they are facing with some malicious bugs inside their laptop sciences de la vie et de la terre sixia me specia is available in our book collection an online access to it is set as

sciences de la vie et de la terre sixia me specia pdf book - Sep 04 2022

web jun 9 2023 sciences de la vie et de la terre sixia me specia pdf when people should go to the books stores search introduction by shop shelf by shelf it is in point of fact problematic this is why sciences de la vie et de la terre sixia me specia pdf it is totally simple then in the past currently we extend the join to

sciences de la vie et de la terre sixia me specia erik iversen - Jul 14 2023

web recognizing the quirk ways to acquire this books sciences de la vie et de la terre sixia me specia is additionally useful you have remained in right site to begin getting this info get the sciences de la vie et de la terre sixia me specia associate that we have the funds for here and check out the link

ebook sciences de la vie et de la terre sixia me specia - Mar 10 2023

web sciences de la vie et de la terre sixia me specia l histoire de l amerique jul 18 2020 seventh census of canada 1931 mar

26 2021 de la terre des dragons acte il l antre d alpriade nov 14 2022 la sainte bible etc may 08 2022 sciences de la terre au canada feb 05 2022 african agrarian systems apr 07 2022

[sciences de la vie et de la terre sixia me specia pdf](#) - Feb 26 2022

web sciences de la vie et de la terre sixia me specia sciences de la vie et de la terre sixia me specia 3 downloaded from bespoke cityam com on 2023 01 05 by guest health and access to education for the sindi people the book is indexed but has no maps or illustrations our viceregal life in india harriot georgina blackwood marchioness of

[sciences de la vie et de la terre sixia me specia pdf free](#) - Jun 01 2022

web élèves pourront s ouvrir aux grands problèmes de la société contemporaine et comprendre les interactions des sciences de la vie et de la terre avec d autres disciplines telles que la géographie le manuel leur offre également un aperçu des métiers liés aux sciences afin d aider les élèves au repérage de grands

sciences de la vie et de la terre sixia me specia pdf - Jun 13 2023

web mar 26 2023 sciences de la vie et de la terre sixia me specia is available in our book collection an online access to it is set as public so you can get it instantly our books collection hosts in multiple countries allowing you to

sciences de la vie et de la terre sixia me specia - Feb 09 2023

web sciences de la vie et de la terre sixia me specia as recognized adventure as with ease as experience not quite lesson amusement as capably as promise can be gotten by just checking out a book sciences de la vie et de la terre sixia me specia plus it is not directly done you could resign yourself to even more going on for this life

science de la vie et de la terre exercices corrigés 3ème - Jul 02 2022

web exercices corrigés 3ème année collège en ligne pour aider les étudiants à progresser en science de la vie et de la terre chaque exercice en plus d être corrigé est accompagné d indications de rappels de cours de conseils méthodologiques permettant une évaluation et une progression autonome semestre 1

[sciences de la vie et de la terre sixia me specia pdf](#) - May 12 2023

web mar 21 2023 sciences de la vie et de la terre sixia me specia 1 6 downloaded from uniport edu ng on march 21 2023 by guest sciences de la vie et de la terre sixia me specia thank you enormously much for downloading sciences de la vie et de la terre sixia me specia maybe you have knowledge that people have look numerous time for

[programme de la spécialité sciences de la vie et de la terre svt](#) - Nov 06 2022

web aug 28 2023 en spécialité svt sciences de la vie et de la terre il faut compter 8h de travail hebdomadaire environ 4 heures de cours et 4h de travail personnel si vous souhaitez arrêter la svt à la

sciences de la vie et de la terre sixia me specia 2022 - Aug 03 2022

web sciences de la vie et de la terre classe de 3ème svt life phenomenology of life as the starting point of philosophy histoire

de la vie et de l'administration de colbert

sciences de la vie et de la terre sixia me specia pdf copy - Mar 30 2022

web as this sciences de la vie et de la terre sixia me specia pdf it ends in the works swine one of the favored books sciences de la vie et de la terre sixia me specia pdf collections that we have this is why you remain in the best website to see the unbelievable books to have branches of sciences physical earth life

sciences de la vie et de la terre sixia me specia pdf api - Dec 07 2022

web de la vie et de la terre sixia me specia but end up in infectious downloads rather than enjoying a good book with a cup of tea in the afternoon instead they cope with some infectious bugs inside their computer sciences de la vie et de la terre sixia me specia is available in our digital library an online access to it is set as public so you

sciences de la vie et de la terre wikipédia - Jan 08 2023

web les sciences de la vie et de la terre sont introduites dès le cycle 4 collège 6 e 5 e 4 e dans le cadre de l'enseignement des sciences expérimentales et technologies 2

sciences de la vie et de la terre sixia me specia pdf full pdf - Aug 15 2023

web webles objectifs de formation du cycle 4 en sciences de la vie et de la terre s'organisent autour de trois grandes thématiques la planète terre l'environnement et l'action humaine le vivant et son évolution le corps humain et la santé

sciences de la vie et de la terre sixia me specia pdf - Oct 05 2022

web programmes de sciences de la vie et de la terre à l'acquisition d'une culture scientifique et technologique définie par le socle commun de connaissances et de compétences

sciences de la vie et de la terre sixia me specia pdf - Dec 27 2021

web sciences de la vie et de la terre classe de 3ème svt leçons sur les phénomènes de la vie communs aux animaux et aux végétaux mange tes méduses reconcilier les cycles de la vie et la flèche du temps

sciences de la vie et de la terre sixia me specia copy - Apr 30 2022

web sciences de la vie et de la terre svt 3ème le programme pédagogique sciences de la vie et la terre svt cycle 4 les connaissances du collège à réviser pour la stratégie québécoise des sciences de la vie 2022 2025

sciences de la vie et de la terre sixia me specia seminary fbny - Jan 28 2022

web sciences de la vie et de la terre sixia me specia mange tes méduses reconcilier les cycles de la vie et la flèche du temps leçons sur les phénomènes de la vie communs aux animaux et aux végétaux

what the heart needs soulmate 2 a psychic elemental - Jul 25 2022

web damn it grasping the paper he pulled on the edge until layne pulled back remain calm he cautioned finally releasing his grip the paper unfolded before dylan then his heart

what the heart needs kelli mccracken p 9 global archive - Apr 21 2022

web nov 7 2023 scientists say new fossil fuel projects need to stop and environmental laws need updating the climate council on wednesday released its first oceans report

five things you need to know to start your day bloomberg - Dec 18 2021

what the heart needs a psychic elemental romance soulmate - May 03 2023

web nov 1 2022 what the heart needs is the second installment in the soulmate series if you like alluring romances with suspense soulmates and supernatural twists you ll love kelli

what the heart needs mccracken ai classmonitor - Aug 26 2022

web dec 13 2018 kelli mccracken is an author of rock star themed contemporary and paranormal romance she loves penning a good sexy story that stirs emotions and

what the heart needs a psychic elemental - Aug 06 2023

web what the heart needs a psychic elemental romance soulmate book 2 ebook mccracken kelli amazon com au books

what the heart wants soulmate 1 by kelli mccracken - Jun 23 2022

web 2 mccracken what the heart needs 2021 11 02 mccracken what the heart needs downloaded from dashboardpages plinkfizz com by guest anna turner spaces for

what the heart needs pdf media365 - Sep 26 2022

web nov 26 2011 slow burn chemistry leads to an epic soulmate romance mystery surrounds psychics and elementals in what the heart wants the first book in the soulmate series

mccracken what the heart needs - Mar 21 2022

web 1 day ago five things you need to know to start your day jerome powell chairman of the us federal reserve good morning traders await powell remarks israel says

what the heart needs a psychic elemental romance soulmate - Apr 02 2023

web oct 13 2020 a secret pact a reluctant hero a twist of fate between concerts and wedding plans dylan almost missed the glitch in the soul connection he shares with heaven yet

what the heart takes soulmate 3 by kelli mccracken - Nov 28 2022

web an incorruptible heart spaces for consumption send out your light what the heart needs a psychic elemental romance you did what what the heart takes hearings

israel says troops operating in the heart of gaza city - Feb 17 2022

[what the heart needs a psychic elemental romance by kelli](#) - Dec 30 2022

web read what the heart needs pdf a secret pact a reluctant hero a twist of fate between concerts and wedding plans dylan almost missed the glitch in the soul connection he

[what the heart needs by kelli mccracken overdrive](#) - Jan 31 2023

web apr 23 2023 author name kelli mccracken book genre contemporary contemporary romance love new adult paranormal romance suspense series detail book 2 in

climate council oceans report says seas are warming faster - Jan 19 2022

mccracken what the heart needs pdf seminary fbny - Jun 04 2023

web mccracken kelli sexy dangerous and consuming what the heart needs is a roller coaster of emotions get on the twin flames press

ashley s review of what the heart needs goodreads - Jul 05 2023

web what the heart needs by kelli mccracken is the second installment to the soulmate series and continues the saga of heaven and dylan this installment also starts to explain a

what the heart needs anna s archive - Mar 01 2023

web what the heart takes is the third book in kelli mccracken s soulmate series this book picks up where book two left off progressing forward with heaven dylan and layne all

what the heart needs a psychic elemental - Sep 07 2023

web 2 mccracken what the heart needs 2020 02 19 mccracken what the heart needs downloaded from seminary fbny or g by guest long underwood an exact replica

kelli mccracken author of what the heart wants goodreads - May 23 2022

web nov 7 2023 israeli troops are operating in the heart of gaza city defence minister yoav gallant says as the country s military operation to destroy hamas continues

pdf epub what the heart needs soulmate 2 download - Oct 28 2022

web nov 2 2022 a secret pact a reluctant hero a twist of fate between concerts and wedding plans dylan almost missed the glitch in the soul connection he shares with heaven yet

what the heart needs soulmate 2 by kelli - Oct 08 2023

web what the heart needs by kelli mccracken what the heart needs is the second book in the soulmate series i thought the first book was an amazing read but this one is even