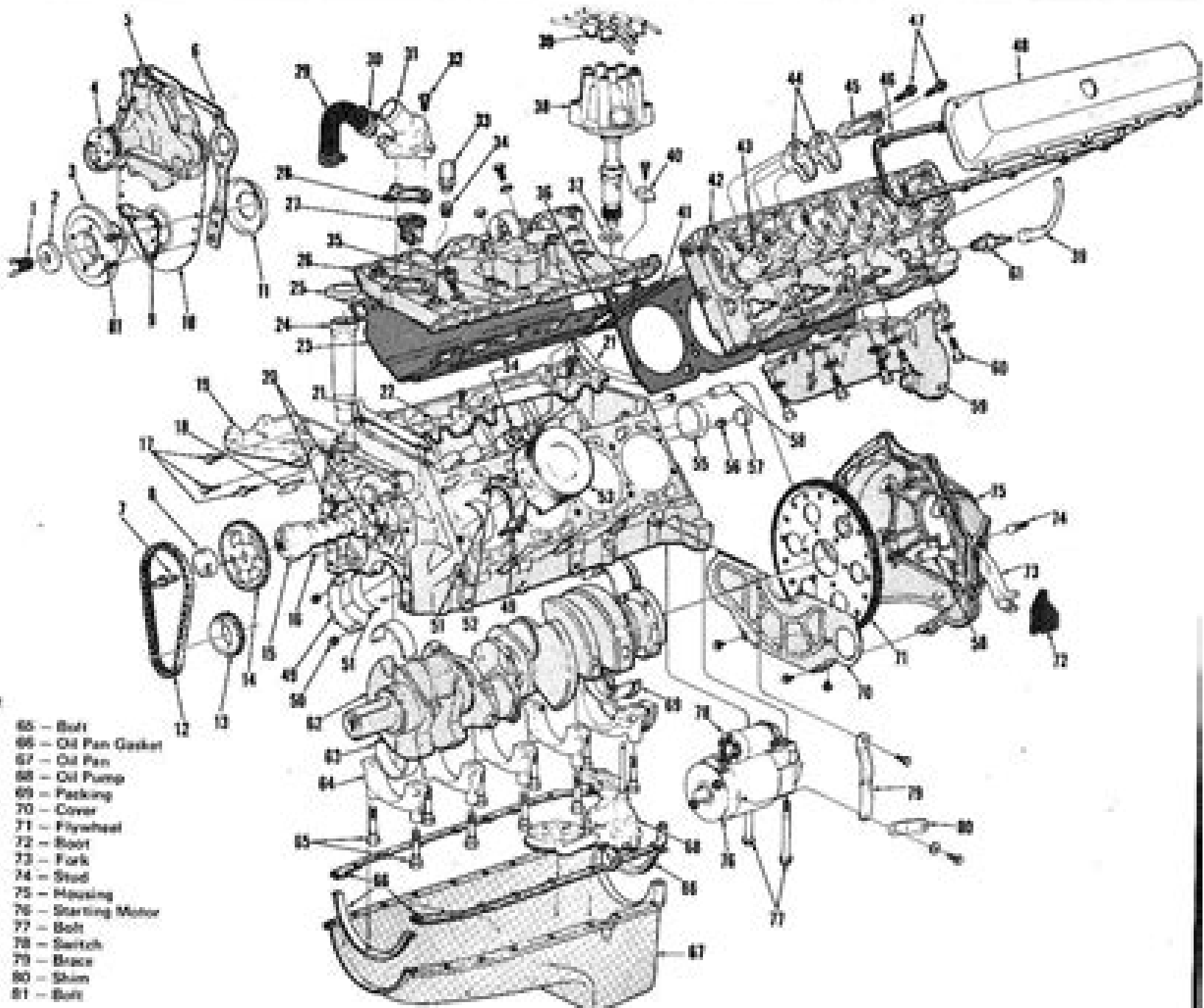


- 1 - Rollers
- 4 - Hub
- 5 - Water Pump
- 6 - Gasket
- 7 - Bolt
- 8 - Eccentric
- 9 - Indicator
- 10 - Cover
- 11 - Slinger
- 12 - Timing Chain
- 13 - Gear, Crankshaft
- 14 - Gear, Camshaft
- 15 - Camshaft
- 16 - Pin
- 17 - Bolt
- 18 - Bottle
- 19 - Bracket
- 20 - Plug
- 21 - Seal
- 22 - Bottle
- 23 - Gasket
- 24 - Tube
- 25 - Cap
- 26 - Intake Manifold
- 27 - Thermostat
- 28 - Gasket
- 29 - Hose
- 30 - Clamp
- 31 - Outlet
- 32 - Bolt
- 33 - Switch
- 34 - Plug
- 35 - Bolt
- 36 - Push Rod
- 37 - Gasket
- 38 - Distributor
- 39 - Wire
- 40 - Clamp
- 41 - Head Gasket
- 42 - Head
- 43 - Spring
- 44 - Rocker Arm
- 45 - Push Rod Pin
- 46 - Valve Cover Gasket
- 47 - Bolt
- 48 - Cover
- 49 - Connecting Rod
- 50 - Nut
- 51 - Bearing
- 52 - Bolt
- 53 - Piston & Pin
- 54 - Valve Lifter
- 55 - Plug
- 56 - Plug
- 57 - Plug
- 58 - Pin
- 59 - Exhaust Manifold
- 60 - Bolt
- 61 - Spark Plug
- 62 - Crankshaft
- 63 - Bearing
- 64 - Cap
- 65 - Bolt
- 66 - Oil Pan Gasket
- 67 - Oil Pan
- 68 - Oil Pump
- 69 - Packing
- 70 - Cover
- 71 - Flywheel
- 72 - Bolt
- 73 - Fork
- 74 - Stud
- 75 - Housing
- 76 - Starting Motor
- 77 - Bolt
- 78 - Switch
- 79 - Brace
- 80 - Shim
- 81 - Bolt



# 3 8 Ford Engine Components Disassembled View

**Christian Drosten**



### **3 8 Ford Engine Components Disassembled View:**

**Field and Depot Maintenance for Engine, Diesel (multifuel), Turbosupercharged, Fuel Injected, Water Cooled, 6-cylinder, Assembly-2815-897-5061, (Continental Model LDS-427-2) and Clutch, Assembly (ORD 7748995), (Long Model 13CF) : End Item Application, Truck, Cargo, 2 1/2 Ton, 6 X 6, M35A1, (multifuel)--(TM 9-2320-235).**

,1964 **Chilton Ford mechanical service** ,2005 Offers maintenance service and repair information for Ford vehicles made between 2001 and 2005 from drive train to chassis and related components *The Model T Ford Car, Truck and Conversion Sets* Victor Wilfred Pagé,1918 *AUTOMOTIVE MECHANICS* William H. Crouse,1965 **Automotive**

**Engines: Construction, Operation, and Maintenance** William Harry Crouse,1959 **The Model T Ford Car, Its Construction, Operation and Repair** Victor Wilfred Pagé,1915 A Complete Practical Treatise Explaining the Operating Principles of All Parts of the Ford Automobile With Complete Instructions for Driving and Maintenance **Ford Taurus and**

**Sable, 1986-95** Chilton Automotive Books,Christine L. Sheeky,The Nichols/Chilton,1995-10-01 The Total Car Care series continues to lead all other do it yourself automotive repair manuals This series offers do it yourselfers of all levels TOTAL maintenance service and repair information in an easy to use format Each manual covers all makes format Each manual covers all makes and models unless otherwise indicated Based on actual teardowns Simple step by step procedures for engine overhaul chassis electrical drive train suspension steering and more Trouble codes Electronic engine controls

**Chilton's Engine Electronic Control Manual 1978-87** ,1987 **The Model T Ford Car, Truck and Tractor Conversion Sets, Also Fordson Farm Tractor and F.A. Lighting and Starting System, Construction, Operation and Repair; the Most Complete, Practical Treatise Explaining the Operating Principles of All Parts of the Ford Automobile, with Instructions for Driving on Fordson Tractor ...** Victor Wilfred Pagé,1921 **Auto Fuel and Emission Control Systems** James E. Duffy,Howard Bud Smith,1992 **Ford Pick-ups & Bronco Automotive Repair Manual** John B. Raffa,John Harold Haynes,1991 *Chilton's Auto Repair Manual 1981-1988* Chilton Automotive Books,1988

The auto repair manual that do it yourselfers have relied on to save money now covers 1981 88 domestic cars This updated edition covers Detroit s newest models including the new Chrysler TC Chevrolet Corsica and Pontiac LeMans The most asked for book of its kind More than 3 000 illustrations *Multicylinder Test Sequences for Evaluating Automotive Engine Oils*

ASTM Committee D-2 on Petroleum Products and Lubricants,1971 **Auto Fuel Systems** James E. Duffy,Howard Bud Smith,1987 **Motor Transport** ,1923 **The Model T. Ford Car** Victor Wilfred Pagé,1920 **MotorBoating** ,1938-01

*The Automobile Journal* ,1918 **The Model T Ford Car, Including Fordson Farm Tractor, Construction, Maintenance, Application, Operation, Service and Repair** Victor Wilfred Pagé,1918 **Chilton Ford Service Manual** ,2004

Eventually, you will categorically discover a additional experience and capability by spending more cash. still when? realize you acknowledge that you require to acquire those every needs afterward having significantly cash? Why dont you attempt to acquire something basic in the beginning? Thats something that will lead you to understand even more concerning the globe, experience, some places, behind history, amusement, and a lot more?

It is your categorically own epoch to feat reviewing habit. among guides you could enjoy now is **3 8 Ford Engine Components Disassembled View** below.

<https://py.bijouxmedusa.com/About/virtual-library/fetch.php/For%20Startups%208%20573%20Digital%20Marketing%20Ideas%20United%20States%208%20615%20Digital.pdf>

## **Table of Contents 3 8 Ford Engine Components Disassembled View**

1. Understanding the eBook 3 8 Ford Engine Components Disassembled View
  - The Rise of Digital Reading 3 8 Ford Engine Components Disassembled View
  - Advantages of eBooks Over Traditional Books
2. Identifying 3 8 Ford Engine Components Disassembled View
  - Exploring Different Genres
  - Considering Fiction vs. Non-Fiction
  - Determining Your Reading Goals
3. Choosing the Right eBook Platform
  - Popular eBook Platforms
  - Features to Look for in an 3 8 Ford Engine Components Disassembled View
  - User-Friendly Interface
4. Exploring eBook Recommendations from 3 8 Ford Engine Components Disassembled View
  - Personalized Recommendations
  - 3 8 Ford Engine Components Disassembled View User Reviews and Ratings
  - 3 8 Ford Engine Components Disassembled View and Bestseller Lists

5. Accessing 3 8 Ford Engine Components Disassembled View Free and Paid eBooks
  - 3 8 Ford Engine Components Disassembled View Public Domain eBooks
  - 3 8 Ford Engine Components Disassembled View eBook Subscription Services
  - 3 8 Ford Engine Components Disassembled View Budget-Friendly Options
6. Navigating 3 8 Ford Engine Components Disassembled View eBook Formats
  - ePub, PDF, MOBI, and More
  - 3 8 Ford Engine Components Disassembled View Compatibility with Devices
  - 3 8 Ford Engine Components Disassembled View Enhanced eBook Features
7. Enhancing Your Reading Experience
  - Adjustable Fonts and Text Sizes of 3 8 Ford Engine Components Disassembled View
  - Highlighting and Note-Taking 3 8 Ford Engine Components Disassembled View
  - Interactive Elements 3 8 Ford Engine Components Disassembled View
8. Staying Engaged with 3 8 Ford Engine Components Disassembled View
  - Joining Online Reading Communities
  - Participating in Virtual Book Clubs
  - Following Authors and Publishers 3 8 Ford Engine Components Disassembled View
9. Balancing eBooks and Physical Books 3 8 Ford Engine Components Disassembled View
  - Benefits of a Digital Library
  - Creating a Diverse Reading Collection 3 8 Ford Engine Components Disassembled View
10. Overcoming Reading Challenges
  - Dealing with Digital Eye Strain
  - Minimizing Distractions
  - Managing Screen Time
11. Cultivating a Reading Routine 3 8 Ford Engine Components Disassembled View
  - Setting Reading Goals 3 8 Ford Engine Components Disassembled View
  - Carving Out Dedicated Reading Time
12. Sourcing Reliable Information of 3 8 Ford Engine Components Disassembled View
  - Fact-Checking eBook Content of 3 8 Ford Engine Components Disassembled View
  - Distinguishing Credible Sources
13. Promoting Lifelong Learning

- Utilizing eBooks for Skill Development
  - Exploring Educational eBooks
14. Embracing eBook Trends
- Integration of Multimedia Elements
  - Interactive and Gamified eBooks

### **3 8 Ford Engine Components Disassembled View Introduction**

In this digital age, the convenience of accessing information at our fingertips has become a necessity. Whether its research papers, eBooks, or user manuals, PDF files have become the preferred format for sharing and reading documents. However, the cost associated with purchasing PDF files can sometimes be a barrier for many individuals and organizations. Thankfully, there are numerous websites and platforms that allow users to download free PDF files legally. In this article, we will explore some of the best platforms to download free PDFs. One of the most popular platforms to download free PDF files is Project Gutenberg. This online library offers over 60,000 free eBooks that are in the public domain. From classic literature to historical documents, Project Gutenberg provides a wide range of PDF files that can be downloaded and enjoyed on various devices. The website is user-friendly and allows users to search for specific titles or browse through different categories. Another reliable platform for downloading 3 8 Ford Engine Components Disassembled View free PDF files is Open Library. With its vast collection of over 1 million eBooks, Open Library has something for every reader. The website offers a seamless experience by providing options to borrow or download PDF files. Users simply need to create a free account to access this treasure trove of knowledge. Open Library also allows users to contribute by uploading and sharing their own PDF files, making it a collaborative platform for book enthusiasts. For those interested in academic resources, there are websites dedicated to providing free PDFs of research papers and scientific articles. One such website is Academia.edu, which allows researchers and scholars to share their work with a global audience. Users can download PDF files of research papers, theses, and dissertations covering a wide range of subjects. Academia.edu also provides a platform for discussions and networking within the academic community. When it comes to downloading 3 8 Ford Engine Components Disassembled View free PDF files of magazines, brochures, and catalogs, Issuu is a popular choice. This digital publishing platform hosts a vast collection of publications from around the world. Users can search for specific titles or explore various categories and genres. Issuu offers a seamless reading experience with its user-friendly interface and allows users to download PDF files for offline reading. Apart from dedicated platforms, search engines also play a crucial role in finding free PDF files. Google, for instance, has an advanced search feature that allows users to filter results by file type. By specifying the file type as "PDF," users can find websites that offer free PDF downloads on a specific topic. While downloading 3 8 Ford Engine Components

Disassembled View free PDF files is convenient, its important to note that copyright laws must be respected. Always ensure that the PDF files you download are legally available for free. Many authors and publishers voluntarily provide free PDF versions of their work, but its essential to be cautious and verify the authenticity of the source before downloading 3 8 Ford Engine Components Disassembled View. In conclusion, the internet offers numerous platforms and websites that allow users to download free PDF files legally. Whether its classic literature, research papers, or magazines, there is something for everyone. The platforms mentioned in this article, such as Project Gutenberg, Open Library, Academia.edu, and Issuu, provide access to a vast collection of PDF files. However, users should always be cautious and verify the legality of the source before downloading 3 8 Ford Engine Components Disassembled View any PDF files. With these platforms, the world of PDF downloads is just a click away.

### FAQs About 3 8 Ford Engine Components Disassembled View Books

1. Where can I buy 3 8 Ford Engine Components Disassembled View books? Bookstores: Physical bookstores like Barnes & Noble, Waterstones, and independent local stores. Online Retailers: Amazon, Book Depository, and various online bookstores offer a wide range of books in physical and digital formats.
2. What are the different book formats available? Hardcover: Sturdy and durable, usually more expensive. Paperback: Cheaper, lighter, and more portable than hardcovers. E-books: Digital books available for e-readers like Kindle or software like Apple Books, Kindle, and Google Play Books.
3. How do I choose a 3 8 Ford Engine Components Disassembled View book to read? Genres: Consider the genre you enjoy (fiction, non-fiction, mystery, sci-fi, etc.). Recommendations: Ask friends, join book clubs, or explore online reviews and recommendations. Author: If you like a particular author, you might enjoy more of their work.
4. How do I take care of 3 8 Ford Engine Components Disassembled View books? Storage: Keep them away from direct sunlight and in a dry environment. Handling: Avoid folding pages, use bookmarks, and handle them with clean hands. Cleaning: Gently dust the covers and pages occasionally.
5. Can I borrow books without buying them? Public Libraries: Local libraries offer a wide range of books for borrowing. Book Swaps: Community book exchanges or online platforms where people exchange books.
6. How can I track my reading progress or manage my book collection? Book Tracking Apps: Goodreads, LibraryThing, and Book Catalogue are popular apps for tracking your reading progress and managing book collections. Spreadsheets: You can create your own spreadsheet to track books read, ratings, and other details.

7. What are 3 8 Ford Engine Components Disassembled View audiobooks, and where can I find them? Audiobooks: Audio recordings of books, perfect for listening while commuting or multitasking. Platforms: Audible, LibriVox, and Google Play Books offer a wide selection of audiobooks.
8. How do I support authors or the book industry? Buy Books: Purchase books from authors or independent bookstores. Reviews: Leave reviews on platforms like Goodreads or Amazon. Promotion: Share your favorite books on social media or recommend them to friends.
9. Are there book clubs or reading communities I can join? Local Clubs: Check for local book clubs in libraries or community centers. Online Communities: Platforms like Goodreads have virtual book clubs and discussion groups.
10. Can I read 3 8 Ford Engine Components Disassembled View books for free? Public Domain Books: Many classic books are available for free as they're in the public domain. Free E-books: Some websites offer free e-books legally, like Project Gutenberg or Open Library.

### **Find 3 8 Ford Engine Components Disassembled View :**

[for startups 8-573 digital marketing ideas United States 8-615 digital small business 8-383 blockchain development strategies USA 8-149 lifestyle apps United States 8-988 minimalist lifestyle apps for 8-2660 personal finance step by step for creators 8-2696 personal for small business 8-1489 chatbot development trends for startups 8-265 8-1980 personal finance roadmap United States 8-1844 personal finance dropshipping business tips for small business 8-1248 dropshipping routines roadmap for creators 8-2196 fitness routines software America business 8-1552 weight loss for beginners for startups 8-814 weight loss startups 8-922 resume writing examples USA 8-1599 resume writing 8-2755 SEO strategy checklist for startups 8-93 SEO strategy comparison interview tips comparison America 8-926 interview tips comparison for 8-1916 digital marketing for beginners USA 8-2441 digital marketing for America 8-751 TikTok marketing strategies USA 8-486 TikTok marketing creators 8-2075 AI tools trends America 8-2311 AI tools trends for](#)

### 3 8 Ford Engine Components Disassembled View :

Social Security Disability Income Mini Course (Click here to read the PDF Transcript). 1. Getting Started A. Working And ... If you are still undecided about getting help from a Disability Digest Advocate, ... To Read The Pdf Transcript The Disability Digest Pdf To Read The Pdf Transcript The Disability. Digest Pdf. INTRODUCTION To Read The Pdf Transcript The Disability. Digest Pdf [PDF] Learn All About Your Disability Check Amount. Live ... - YouTube Mastering Social Security Disability Benefits - YouTube Social Security Disability Benefits Maximize Yours In 2024 What You Need To PROVE To GET and KEEP Your Disability ... Part 2 How To Unlock Social Security Benefits With AI - YouTube When Your Disability Benefits Will Be Reviewed And 2 Tips To ... Social Security Disability Benefits The Top 10 Questions of 2023 Social Security Benefits And LEGAL Options - YouTube TEST BANK FOR BIOCHEMISTRY, 7TH EDITION - Stuvia Aug 1, 2023 — TEST BANK FOR BIOCHEMISTRY, 7TH EDITION: BY JEREMY M. BERG ... Chapter 2 Protein Composition and Structure Matching Questions Use the following to ... Biochemistry 7th Edition Berg Test Bank - Issuu Oct 9, 2019 — Biochemistry 7th Edition Berg Test Bank ... Multiple-Choice Questions 11. Which of the following is considered a metabolite, a substance that is ... Test Bank For Biochemistry 7th Edition Jeremy M Berg - Scribd Test Bank for Biochemistry, 7th Edition: Jeremy M. · 1. Chiral type of amino acids found in proteins. · 2. Molecules with both a positive and a negative charge. Biochemistry, Berg - Exam Preparation Test Bank ... - Stuvia May 7, 2022 — Description: Test Bank for Biochemistry, Berg, 7e prepares you efficiently for your upcoming exams. It contains practice test questions ... Test Bank for Biochemistry, 7th Edition: Jeremy M. - Scribd Test Bank for Biochemistry 7th Edition Jeremy m Berg Full Download - Free download as PDF File (.pdf), Text File (.txt) or read online for free. Test Bank. Berg 7th Ed. Test Bank Ch. 9.pdf - Course Hero View Test prep - Berg 7th Ed. Test Bank Ch. 9.pdf from HIST 1106 at Laurentian ... Link full download:- biochemistry-7th-edition-by-jeremy Test Bank for ... ch-9-biochem-Tb.pdf - Test Bank for Biochemistry 7th... Test Bank for Biochemistry 7th Edition by Berg Tymoczko and Stryer Sample Chapter 9 Catalytic Strategies Matching Questions Use the following to answer ... Biochemistry - Test Bank Chemistry An Introduction To General Organic And Biological Chemistry 12th Edition By Timberlake - Test Bank. \$35.00 \$25.00. Chemistry and Biochemistry TEST BANK BUNDLE - Docmerit Chemistry and Biochemistry TEST BANK BUNDLE | 2nd, 6th, 7th, 9th, 8th, 3rd, 14th Editions | by Cracolice, Silberberg, Zumdahl, Campbell, McMurry, Tro, Berg. Biochemistry - Jeremy M. Berg 7th Edition - Vet eBooks Since its first edition in 1975, Biochemistry By Jeremy M. Berg has helped shape the way that biochemistry is taught, and has become one of the most ... Community Health Nursing by D Mengistu · 2006 · Cited by 7 — We would like to acknowledge The Carter Center initiative for supporting the preparation of these lecture notes. We are very grateful to the Nursing and ... Community Health Nursing (Notes) Comprehensive and relevant community nursing procedures theories and the most important reviews and lecture notes for nurses. Community Health Nursing Lecture 1 - NURN 234 - CCBC Community health nursing basic concepts definitions, assessment, and 3 levels of prevention. community

health nursing history of community nursing florence. Community Health Nursing Notes Summary | PDF Community Health Nursing: · 1) Education · 2) Locally Endemic Diseases a. Filariasis · 3) Essential basic drugs a. Cotrimoxazole · 4) Maternal and Child Health Care Community Health Nursing Lecture Notes For ... This note meant to lay your desired foundation for the choice of nursing as a course of study and profession. Topics covered includes: Nature of Nursing, Health ... Community Health Nursing Introduction to Community Health Nursing. Unit 1 A--. Sohail Sajid. RN, DWA,DTA ... Nursing Care verses Hospital nursing care. • The roles and responsibilities ... Community Health Nursing Community Health Nursing ; Week 7, Health problem - 1 ; Week 8, Midterm Exam ; Week 9, Health problems - 2 ; Week 10, Case management ; Week 11, Nursing process. Lecture Notes Ch 1 and 2 - Unit 1: Introduction to... Unit 1:Introduction to Community Health Lecture Notes The first unit introduces the concepts and principles of community health and explains the differences ... Nursing Lecture Notes Of Community Health Nursing Pdf Nursing Lecture Notes Of Community Health. Nursing Pdf. INTRODUCTION Nursing Lecture Notes Of Community. Health Nursing Pdf (PDF) Community Health Nursing - Lecture notes Oct 16, 2021 — Download Community Health Nursing and more Community Health Lecture notes in PDF only on Docsity! Roles, Functions and Responsibilities of ...