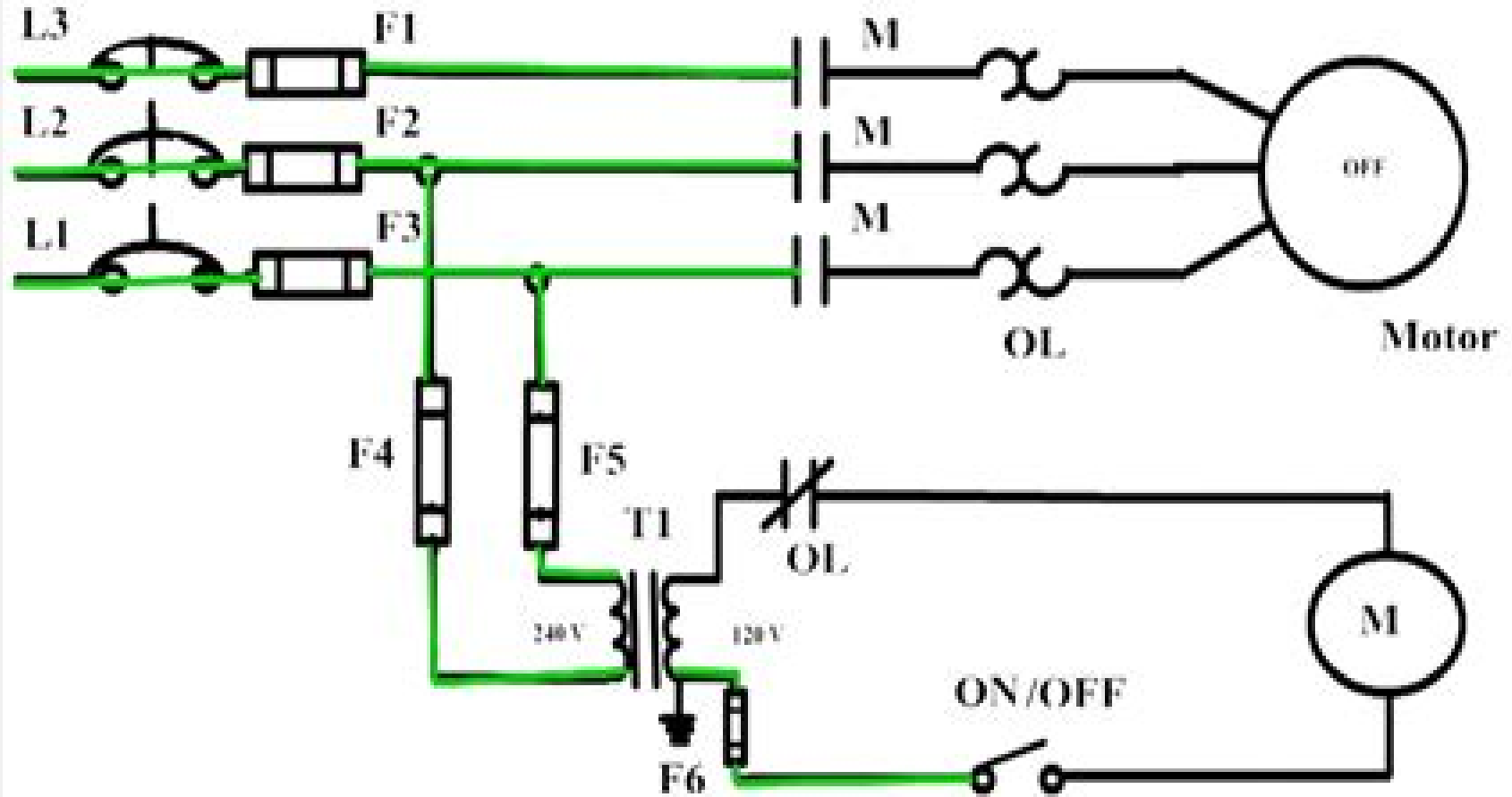


3 Phase Motor Control Circuit



3 Phase Motor Control And Power Diagram

RJ Alexander



3 Phase Motor Control And Power Diagram:

3 Phase Motor Control And Power Diagram Book Review: Unveiling the Magic of Language

In an electronic era where connections and knowledge reign supreme, the enchanting power of language has been apparent than ever. Its ability to stir emotions, provoke thought, and instigate transformation is really remarkable. This extraordinary book, aptly titled "**3 Phase Motor Control And Power Diagram**," compiled by a very acclaimed author, immerses readers in a captivating exploration of the significance of language and its profound effect on our existence. Throughout this critique, we shall delve into the book's central themes, evaluate its unique writing style, and assess its overall influence on its readership.

<https://py.bijouxmedusa.com/files/scholarship/HomePages/an%20american%20bride%20in%20kabul%20phyllis%20chesler.pdf>

Table of Contents 3 Phase Motor Control And Power Diagram

1. Understanding the eBook 3 Phase Motor Control And Power Diagram
 - The Rise of Digital Reading 3 Phase Motor Control And Power Diagram
 - Advantages of eBooks Over Traditional Books
2. Identifying 3 Phase Motor Control And Power Diagram
 - Exploring Different Genres
 - Considering Fiction vs. Non-Fiction
 - Determining Your Reading Goals
3. Choosing the Right eBook Platform
 - Popular eBook Platforms
 - Features to Look for in an eBook 3 Phase Motor Control And Power Diagram
 - User-Friendly Interface
4. Exploring eBook Recommendations from 3 Phase Motor Control And Power Diagram
 - Personalized Recommendations
 - eBook 3 Phase Motor Control And Power Diagram User Reviews and Ratings
 - eBook 3 Phase Motor Control And Power Diagram and Bestseller Lists

5. Accessing 3 Phase Motor Control And Power Diagram Free and Paid eBooks
 - 3 Phase Motor Control And Power Diagram Public Domain eBooks
 - 3 Phase Motor Control And Power Diagram eBook Subscription Services
 - 3 Phase Motor Control And Power Diagram Budget-Friendly Options
6. Navigating 3 Phase Motor Control And Power Diagram eBook Formats
 - ePub, PDF, MOBI, and More
 - 3 Phase Motor Control And Power Diagram Compatibility with Devices
 - 3 Phase Motor Control And Power Diagram Enhanced eBook Features
7. Enhancing Your Reading Experience
 - Adjustable Fonts and Text Sizes of 3 Phase Motor Control And Power Diagram
 - Highlighting and Note-Taking 3 Phase Motor Control And Power Diagram
 - Interactive Elements 3 Phase Motor Control And Power Diagram
8. Staying Engaged with 3 Phase Motor Control And Power Diagram
 - Joining Online Reading Communities
 - Participating in Virtual Book Clubs
 - Following Authors and Publishers 3 Phase Motor Control And Power Diagram
9. Balancing eBooks and Physical Books 3 Phase Motor Control And Power Diagram
 - Benefits of a Digital Library
 - Creating a Diverse Reading Collection 3 Phase Motor Control And Power Diagram
10. Overcoming Reading Challenges
 - Dealing with Digital Eye Strain
 - Minimizing Distractions
 - Managing Screen Time
11. Cultivating a Reading Routine 3 Phase Motor Control And Power Diagram
 - Setting Reading Goals 3 Phase Motor Control And Power Diagram
 - Carving Out Dedicated Reading Time
12. Sourcing Reliable Information of 3 Phase Motor Control And Power Diagram
 - Fact-Checking eBook Content of 3 Phase Motor Control And Power Diagram
 - Distinguishing Credible Sources
13. Promoting Lifelong Learning

- Utilizing eBooks for Skill Development
 - Exploring Educational eBooks
14. Embracing eBook Trends
- Integration of Multimedia Elements
 - Interactive and Gamified eBooks

3 Phase Motor Control And Power Diagram Introduction

In the digital age, access to information has become easier than ever before. The ability to download 3 Phase Motor Control And Power Diagram has revolutionized the way we consume written content. Whether you are a student looking for course material, an avid reader searching for your next favorite book, or a professional seeking research papers, the option to download 3 Phase Motor Control And Power Diagram has opened up a world of possibilities. Downloading 3 Phase Motor Control And Power Diagram provides numerous advantages over physical copies of books and documents. Firstly, it is incredibly convenient. Gone are the days of carrying around heavy textbooks or bulky folders filled with papers. With the click of a button, you can gain immediate access to valuable resources on any device. This convenience allows for efficient studying, researching, and reading on the go. Moreover, the cost-effective nature of downloading 3 Phase Motor Control And Power Diagram has democratized knowledge. Traditional books and academic journals can be expensive, making it difficult for individuals with limited financial resources to access information. By offering free PDF downloads, publishers and authors are enabling a wider audience to benefit from their work. This inclusivity promotes equal opportunities for learning and personal growth. There are numerous websites and platforms where individuals can download 3 Phase Motor Control And Power Diagram. These websites range from academic databases offering research papers and journals to online libraries with an expansive collection of books from various genres. Many authors and publishers also upload their work to specific websites, granting readers access to their content without any charge. These platforms not only provide access to existing literature but also serve as an excellent platform for undiscovered authors to share their work with the world. However, it is essential to be cautious while downloading 3 Phase Motor Control And Power Diagram. Some websites may offer pirated or illegally obtained copies of copyrighted material. Engaging in such activities not only violates copyright laws but also undermines the efforts of authors, publishers, and researchers. To ensure ethical downloading, it is advisable to utilize reputable websites that prioritize the legal distribution of content. When downloading 3 Phase Motor Control And Power Diagram, users should also consider the potential security risks associated with online platforms. Malicious actors may exploit vulnerabilities in unprotected websites to distribute malware or steal personal information. To protect themselves, individuals should ensure their devices have reliable antivirus software installed and validate the legitimacy of the websites

they are downloading from. In conclusion, the ability to download 3 Phase Motor Control And Power Diagram has transformed the way we access information. With the convenience, cost-effectiveness, and accessibility it offers, free PDF downloads have become a popular choice for students, researchers, and book lovers worldwide. However, it is crucial to engage in ethical downloading practices and prioritize personal security when utilizing online platforms. By doing so, individuals can make the most of the vast array of free PDF resources available and embark on a journey of continuous learning and intellectual growth.

FAQs About 3 Phase Motor Control And Power Diagram Books

What is a 3 Phase Motor Control And Power Diagram PDF? A PDF (Portable Document Format) is a file format developed by Adobe that preserves the layout and formatting of a document, regardless of the software, hardware, or operating system used to view or print it. **How do I create a 3 Phase Motor Control And Power Diagram PDF?** There are several ways to create a PDF: Use software like Adobe Acrobat, Microsoft Word, or Google Docs, which often have built-in PDF creation tools. Print to PDF: Many applications and operating systems have a "Print to PDF" option that allows you to save a document as a PDF file instead of printing it on paper. Online converters: There are various online tools that can convert different file types to PDF. **How do I edit a 3 Phase Motor Control And Power Diagram PDF?** Editing a PDF can be done with software like Adobe Acrobat, which allows direct editing of text, images, and other elements within the PDF. Some free tools, like PDFescape or Smallpdf, also offer basic editing capabilities. **How do I convert a 3 Phase Motor Control And Power Diagram PDF to another file format?** There are multiple ways to convert a PDF to another format: Use online converters like Smallpdf, Zamzar, or Adobe Acrobats export feature to convert PDFs to formats like Word, Excel, JPEG, etc. Software like Adobe Acrobat, Microsoft Word, or other PDF editors may have options to export or save PDFs in different formats. **How do I password-protect a 3 Phase Motor Control And Power Diagram PDF?** Most PDF editing software allows you to add password protection. In Adobe Acrobat, for instance, you can go to "File" -> "Properties" -> "Security" to set a password to restrict access or editing capabilities. Are there any free alternatives to Adobe Acrobat for working with PDFs? Yes, there are many free alternatives for working with PDFs, such as: LibreOffice: Offers PDF editing features. PDFsam: Allows splitting, merging, and editing PDFs. Foxit Reader: Provides basic PDF viewing and editing capabilities. How do I compress a PDF file? You can use online tools like Smallpdf, ILovePDF, or desktop software like Adobe Acrobat to compress PDF files without significant quality loss. Compression reduces the file size, making it easier to share and download. Can I fill out forms in a PDF file? Yes, most PDF viewers/editors like Adobe Acrobat, Preview (on Mac), or various online tools allow you to fill out forms in PDF files by selecting text fields and entering information. Are there any

restrictions when working with PDFs? Some PDFs might have restrictions set by their creator, such as password protection, editing restrictions, or print restrictions. Breaking these restrictions might require specific software or tools, which may or may not be legal depending on the circumstances and local laws.

Find 3 Phase Motor Control And Power Diagram :

an american bride in kabul phyllis chesler

ansi bicsi 005 2014 agomat

answer guide for ecdl icdl core sample papers

android on x86 an introduction to optimizing for intel architecture an introduction to optimizing for intel architecture author

iggy krajci jan 2014

an advanced treatise on fixture design and planning series on manufacturing systems and technology

analysis of stolen day by sherwood anderson

analysis of complex nonlinear mechanical systems a computer algebra assisted approach world scientific series on nonlinear science series a

answers to accelerated reader test paper towns

analysis of transport phenomena deen pdf zapallitojeldres

anime transcripts princess mononoke

an introduction to value added tax in the gcc pwc

answers to anatomy and physiology final exam

an introduction to journalism xindaioe

antennas for all applications 3rd international edition

annotation scaling making drawings smarter with

3 Phase Motor Control And Power Diagram :

funny crazy cat videos compilation 2016 youtube - Jul 14 2023

web sep 19 2016 *funny crazy cat videos compilation 2016 crazy cats and kittens funniest they make us laugh and happy just*

look how all these cats play sleep sneeze get along with dogs react to

29 418 crazy cat images stock photos vectors shutterstock - Jan 28 2022

web find crazy cat stock images in hd and millions of other royalty free stock photos illustrations and vectors in the

crazy cats gifs find share on giphy - Jan 08 2023

web find gifs with the latest and newest hashtags search discover and share your favorite crazy cats gifs the best gifs are on giphy

crazycat tiktok - Sep 04 2022

web wait for the attack catsoftiktok catlife cutekitten catoftheday cutecat catlove lilochipie crazykitten weirdcat cats catoftiktok catstagram crazycat crazykitty kittensofinstagram kitty cat kittens catlovers pet

reasons why your cat acts crazy and how to stop it the - Apr 30 2022

web mar 8 2022 why do cats act crazy no matter the breed all cats have moments when they run across a room meow like crazy and act as if they re on a racetrack being chased they dart about faster and faster looking all over the

crazycats crazycats nft twitter - Mar 30 2022

web jan 31 2022 crazycats crazycats nft mar 5 2022 angry crazy cat is tired of all those scammy projects let s give away 10 wl spots on this tweet to enter 1 follow crazycats nft 2 rt tag 2 friends 3 join discord discord com invite crazyca meow 2 029 1 594 3 271 crazycats crazycats nft mar 21 2022 gmeow 8 2 11

crazy cats gifs get the best gif on giphy - Jul 02 2022

web explore and share the best crazy cats gifs and most popular animated gifs here on giphy find funny gifs cute gifs reaction gifs and more

crazy cats wikipedia - Apr 11 2023

web the crazy cats 狂猫 kyattsu also known as hajime hana and the crazy cats were a japanese jazz band and comedy group popular in film and television particularly between the 1950s and 1970s led by hajime hana the band s other main members were kei tani hitoshi ueki hiroschi inuzuka senri sakurai shin yasuda and

crazy cats in minecraft marketplace minecraft - Feb 26 2022

web check out crazy cats a community creation available in the minecraft marketplace

top 100 crazy cats youtube - Aug 15 2023

web dec 20 2020 top 100 crazy cats subscribe for more thecrazycatsofficial top 100 cats vs cucumbers top 100 cats vs cucumbers instagram instagram com thecrazycat

jim knopf und lukas der lokomotivführer familienmusical - Jun 24 2022

web nov 3 2023 jim knopf und lukas der lokomotivführer des autoren michael ende dürfte zu den klassikern der deutschen kinderliteratur gehören das buch erschien 1960 und begeisterte seitdem unzählige kinder kein wunder denn die geschichte um die abenteuer im lummerland ist reich an fantasie und wunderschön geschrieben 2018 erschien

jim knopf jim knopf und lukas der lokomotivführer thalia - May 04 2023

web 19 99 erscheint am 29 4 2024 der berühmte kinderbuchklassiker jim knopf und lukas der lokomotivführer sind beste freunde von dem tag an als der kleine jim in einem paket auf die insel lummerland kam seitdem begeisterten die beiden millionen von kindern in deutschland und auf der ganzen welt

jim knopf und lukas der lokomotivführer zusammenfassung - May 24 2022

web eines der beliebtesten kinderbücher ist mit sicherheit jim knopf und lukas der lokomotivführer 1960 von michael ende die originalausgabe wurde von franz josef tripp illustriert die neuausgabe von reinhard michl eines tages bringt der postbote ein ganz besonderes paket auf die insel lummerland inhalt ist ein kleiner schwarzer junge

jim knopf und lukas der lokomotivführer lokale nachrichten - Aug 27 2022

web nov 6 2023 da sich lukas der lokomotivführer nicht von seiner emma trennen kann beschließt er schweren herzens mit ihr lummerland zu verlassen jim knopf hingegen will sich nicht von lukas trennen und

jim knopf und lukas der lokomotivführer filmdienst - Apr 22 2022

web dvd kaufen aufwändige realverfilmung des kinderbuchklassikers von michael ende über ein dunkelhäutiges findelkind das mit einem befreundeten lokomotivführer und dessen lok zu einer wunderschönen abenteuerreise aufbricht um eine schöne prinzessin und darüber auch sich selbst zu finden

jim knopf und lukas der lokomotivführer schauspieler regie - Sep 27 2022

web jim knopf und lukas der lokomotivführer trailer 2 df 10 177 wiedergaben 0 58 jim knopf und lukas der lokomotivführer teaser df 12 211 wiedergaben 3 videos zum film trailer aktuell im

jim knopf und lukas der lokomotivführer wikipedia - Oct 09 2023

web fassadenmalerei nach reinhard michl mit jim lukas der lokomotive emma dem piratenschiff der wilden 13 und dem barbarischen meer jim knopf und lukas der lokomotivführer ist ein kinderbuch des deutschenschriftstellers michael ende aus dem jahr 1960 der folgeband aus dem jahr 1962 heißt jim knopf und die wilde 13

jim knopf und lukas der lokomotivführer youtube - Jul 06 2023

web 140k views 4 years ago jim knopf warner bros präsentiert den premierenclip zum film jim knopf und lukas der lokomotivführer bit ly warnerabonnieren jim knopf und lukas der

jim knopf und lukas der lokomotivführer film 2018 filmstarts de - Oct 29 2022

web apr 17 2018 april 2018 jim knopf und lukas der lokomotivführer von dennis gansel ist ein richtig schöner familienfilm der spaß macht besonders in der mise en scène den kulissen kostümen und der

jim knopf und lukas der lokomotivführer youtube - Sep 08 2023

web jan 22 2018 warner bros präsentiert den trailer zum film jim knopf und lukas der lokomotivführer bit ly warnerabonnieren jim knopf und lukas der lokomotivführer

jim knopf und lukas der lokomotivführer das hörspiel thalia - Jul 26 2022

web die spannende und abenteuerliche reise des duos jim knopf und lukas der lokomotivführer verzaubert alle kleinen und großen ab 5 jahren ein märchen mit tollen illustrationen dass voller fantasie steckt bietet absoluten vorlesespaß

jim knopf und lukas der lokomotivführer opernhaus - Feb 01 2023

web michael endes jim knopf und lukas der lokomotivführer elena kats chernin 1957 kinderoper in zwei akten libretto von susanne felicitas wolf schweizer erstaußführung

jim knopf und lukas der lokomotivführer film trailer - Nov 29 2022

web der größte und bekannteste deutsche kinderbuchklassiker jim knopf und lukas der lokomotivführer von michael ende erblickt nach 50 jahren endlich das licht der kino leinwand

jim knopf und lukas der lokomotivführer michael ende - Jun 05 2023

web jim knopf und lukas der lokomotivführer jim knopf ist ein kleiner schwarzer junge der auf der winzigen insel lummerland lebt als jim größer wird reicht der platz einfach nicht mehr also muss jemand gehen beschließt könig alfons der viertel vor zwölfte

jim knopf und lukas der lokomotivführer film wikipedia - Dec 31 2022

web jim knopf und lukas der lokomotivführer ist eine realverfilmung des gleichnamigen kinderbuchs von michael ende die regie übernahm dennis gansel der film wurde produziert von christian becker für die filmische umsetzung stand mit fast 25 mio

jim knopf und lukas der lokomotivführer youtube - Apr 03 2023

web nov 5 2018 jim knopf und lukas der lokomotivführer warner bros germany 7 videos 3 753 views last updated on nov 5 2018 warner bros präsentiert jim knopf und lukas der lokomotivführer

jim knopf und lukas der lokomotivführer klett sprachen - Mar 02 2023

web seine besten freunde sind lukas der lokomotivführer und die lokomotive emma doch für emma ist kein platz mehr auf lummerland die insel ist zu klein weil lukas sich von seiner emma nicht trennen kann und jim nicht von lukas verlassen die drei lummerland und erleben spannende abenteuer

jim knopf und lukas der lokomotivführer apple tv de - Mar 22 2022

web jim knopf und lukas der lokomotivführer apple tv de in itunes anzeigen erhältlich bei itunes eine insel mit zwei bergen die realverfilmung erweckt den kinderbuch klassiker mit spektakulären effekten phantasievollen details und einem spielfreudigen star ensemble zum leben abenteuer 2018 1 std 50 min

jim knopf und lukas der lokomotivführer theater bühne - Feb 18 2022

web jim knopf und lukas der lokomotivführer infos ansehen so 17 dezember 2023 14 30 uhr 16 30 uhr hotel und

kongresszentrum thurgauerhof weinfeld ch teilen die geschichte beginnt auf der beschaulichen insel lummerland könig alfons der viertel vor zwölfte möchte die lokomotive emma abschaffen weil der platz auf der insel zu

jim knopf und lukas der lokomotivführer film 2018 moviepilot - Aug 07 2023

web mar 29 2018 jim knopf und lukas der lokomotivführer ist ein abenteuerfilm von dennis gansel mit henning baum und solomon gordon jim knopf und lukas der lokomotivführer erleben in dieser

ge industrial solutions dv 300 dc user manual - Sep 06 2023

web base speed loop integral gain sets the integral gain of the outer speed regulator below base speed when tachometer feedback is used gek 85766 general electric dc 300

ge dc300 drive fuse failure cr4 discussion thread - Jun 22 2022

web do you need a manual for installing and operating the degdrive dgi300 ac speed control device download this pdf document and learn how to set up program and

ge industrial solutions dv 300 dc drive users manual user - Jan 18 2022

web sep 13 2017 page 2 save this book to read ge dc 300 drive manual pdf ebook at our online library get ge dc 300 drive manual pdf file for free from our online library

ge industrial solutions dv 300 dc drive users manual manual - Jun 03 2023

web abb

ge industrial solutions dv 300 dc drive users manual manual - Feb 28 2023

web oct 2 2020 identify your ge dc300 and dc2000 needs here forms abb com form 38990 ge drives rfi

ge dc 300 drive manual needed ge forums mrplc com - Apr 01 2023

web ge industrial solutions dv 300 dc drive users manual user manual 8 troubleshooting failure alarms in the keypad display ge industrial solutions equipment manuals

7vodd119cd in stock ge drives dc300 drives ax control - Sep 25 2022

web jan 10 2018 get ge dc 300 drive manual pdf file for free from our online library related pdf 39 s for ge dc 300 drive manual ge dc 300 drive manual download ge

ge general electric dc300 drive series various hp drives - Jul 04 2023

web user guide read online or download pdf ge industrial solutions dv 300 dc drive users manual user manual ge industrial solutions equipment manuals directory

drdreduktor com - May 22 2022

web may 22 2020 ge dc 300 drive manual oct 11 2022 10 22 may 22 2020 05 20 firearm manuals home audio headphones home theaters satellite radios view all

ge dc 300 drive manual - Apr 20 2022

web ge dc 300 drive manual commodore manuals cbm 1 collection 70 934 items collection manuals makita total ge dc 300 drive manual manuals tape recorders

ge power conversion solutions dc drives ge power - Oct 27 2022

web description repairs warranty manuals product description the 7vodd119cd is a 60 hp ge dc300 adjustable speed drive the dc300 series of drives is no longer being

ge dc 300 drive manual by carolhavener2680 issuu - Dec 17 2021

web sep 20 2017 page 2 save this book to read ge dc 300 drive manual pdf ebook at our online library get ge dc 300 drive manual pdf file for free from our online library

ge dc 300 drive manual - Mar 20 2022

web read online or download pdf page 2 488 ge industrial solutions dv 300 dc drive users manual user manual ge industrial solutions equipment manuals directory

abb - May 02 2023

web sep 9 2013 gek 85790 serial link manual and gek 85789 local area network user s guide they are both for an old dc300 drive from the 80s i have contacted ge and

dc300 manualzz - Oct 07 2023

web ge industrial solutions dv 300 dc user manual 4 5 4 this book replaces the instruction books gei 100332a rev 7 5 gei 100332b rev 7 6 and gei100332g rev 9 2 0 the

tech talk ge drives pm kits and maintenance dc300 dc2000 - Jan 30 2023

web manuals brands ge industrial solutions manuals equipment dv 300 dc drive 1 2 3 4 5 6 7 8 9 10 2 3 488 summary of content 488 pages page 1 page 2 this book

ge industrial solutions dv 300 dc drive users manual - Dec 29 2022

web manual ge dv300 pdf electrical connector fuse electrical this book replaces the instruction books gei 100332a rev 7 5 gei 100332b rev 7 100332g rev 9 2 0

ge dc 300 drive manual by o848 issuu - Aug 25 2022

web 1 2 thru 800 hp 460 volt af 300 f11 series instruction manual general purpose drive af 300 g11 series 1 4 thru 125 hp 230 volt 1 2 thru 600 hp 460 volt af 300 g11

gek 85766 general electric dc 300 adjustable speed drive - Aug 05 2023

web 26 rows general electric dc300 250hp adjustable speed drive 425amps 500v

ge dc 300 drive manual by claudarcand531 issuu - Nov 15 2021

manual ge dv300 pdf electrical connector fuse electrical - Nov 27 2022

web view product ge power conversion offers a fully integrated dc drive retrofit package that lets you extend the life cycle of your existing dc drive systems

g e instruction manuals vfd help dealers electric - Jul 24 2022

web nov 6 2009 ge dc300 drive fuse failure 11 05 2009 1 23 am we are using dc 300 drive in crane operation for handling containers recently facing frequently failure of

ge industrial solutions dv 300 dc drive users manual user - Feb 16 2022

web read online or download pdf page 179 488 ge industrial solutions dv 300 dc drive users manual user manual ge industrial solutions equipment manuals directory