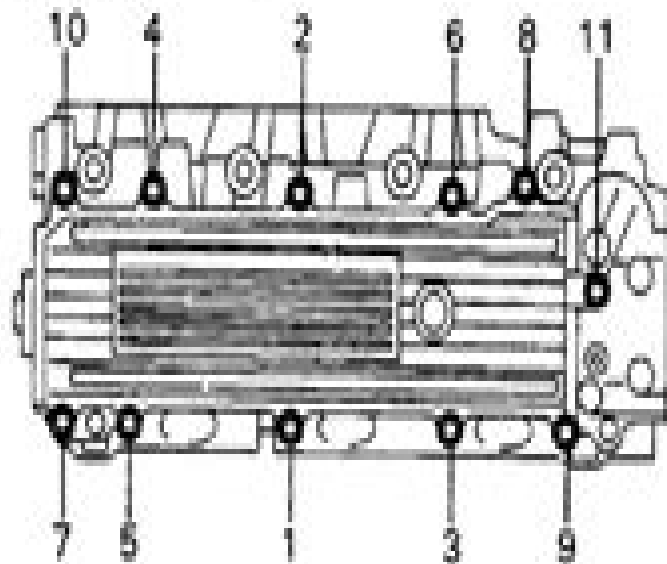
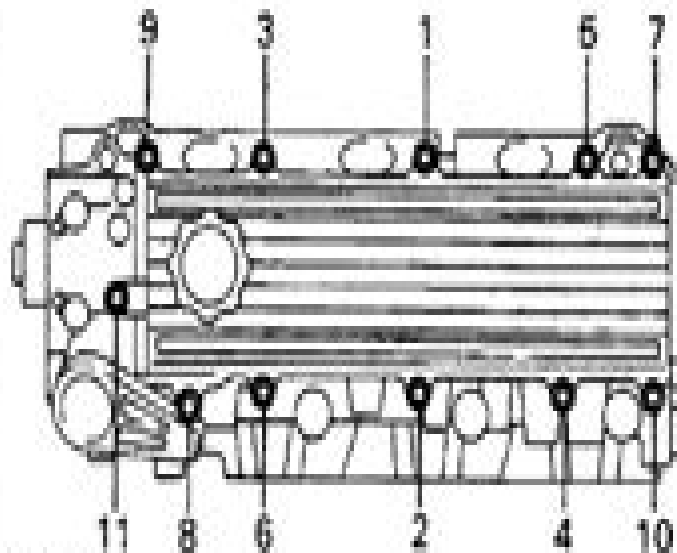


RH Side



LH Side



(c) Install the gasket to the head cover.

(d) Install the cylinder head cover with the eleven bolts.

Uniformly tighten the bolts one side of the cylinder head cover in several passes, in the sequence shown, then do the other side as shown. Install the two cylinder head covers.

Torque: 5.4 N-m (55 kgf-cm, 48 in.-lbf)

3vze Engine Torque Specs

Michael Rajnik



3vze Engine Torque Specs:

This book delves into 3vze Engine Torque Specs. 3vze Engine Torque Specs is a vital topic that must be grasped by everyone, from students and scholars to the general public. This book will furnish comprehensive and in-depth insights into 3vze Engine Torque Specs, encompassing both the fundamentals and more intricate discussions.

1. This book is structured into several chapters, namely:

- Chapter 1: Introduction to 3vze Engine Torque Specs
- Chapter 2: Essential Elements of 3vze Engine Torque Specs
- Chapter 3: 3vze Engine Torque Specs in Everyday Life
- Chapter 4: 3vze Engine Torque Specs in Specific Contexts
- Chapter 5: Conclusion

2. In chapter 1, the author will provide an overview of 3vze Engine Torque Specs. The first chapter will explore what 3vze Engine Torque Specs is, why 3vze Engine Torque Specs is vital, and how to effectively learn about 3vze Engine Torque Specs.

3. In chapter 2, the author will delve into the foundational concepts of 3vze Engine Torque Specs. This chapter will elucidate the essential principles that need to be understood to grasp 3vze Engine Torque Specs in its entirety.

4. In chapter 3, the author will examine the practical applications of 3vze Engine Torque Specs in daily life. The third chapter will showcase real-world examples of how 3vze Engine Torque Specs can be effectively utilized in everyday scenarios.

5. In chapter 4, the author will scrutinize the relevance of 3vze Engine Torque Specs in specific contexts. This chapter will explore how 3vze Engine Torque Specs is applied in specialized fields, such as education, business, and technology.

6. In chapter 5, this book will draw a conclusion about 3vze Engine Torque Specs. The final chapter will summarize the key points that have been discussed throughout the book.

The book is crafted in an easy-to-understand language and is complemented by engaging illustrations. This book is highly recommended for anyone seeking to gain a comprehensive understanding of 3vze Engine Torque Specs.

https://py.bijouxmedusa.com/book/Resources/fetch.php/score_improvement_step_by_step_america_38_782_credit_score_improvement.pdf

Table of Contents 3vze Engine Torque Specs

1. Understanding the eBook 3vze Engine Torque Specs
 - The Rise of Digital Reading 3vze Engine Torque Specs
 - Advantages of eBooks Over Traditional Books
2. Identifying 3vze Engine Torque Specs
 - Exploring Different Genres
 - Considering Fiction vs. Non-Fiction
 - Determining Your Reading Goals
3. Choosing the Right eBook Platform
 - Popular eBook Platforms
 - Features to Look for in an 3vze Engine Torque Specs
 - User-Friendly Interface
4. Exploring eBook Recommendations from 3vze Engine Torque Specs
 - Personalized Recommendations
 - 3vze Engine Torque Specs User Reviews and Ratings
 - 3vze Engine Torque Specs and Bestseller Lists
5. Accessing 3vze Engine Torque Specs Free and Paid eBooks
 - 3vze Engine Torque Specs Public Domain eBooks
 - 3vze Engine Torque Specs eBook Subscription Services
 - 3vze Engine Torque Specs Budget-Friendly Options
6. Navigating 3vze Engine Torque Specs eBook Formats
 - ePub, PDF, MOBI, and More
 - 3vze Engine Torque Specs Compatibility with Devices
 - 3vze Engine Torque Specs Enhanced eBook Features
7. Enhancing Your Reading Experience
 - Adjustable Fonts and Text Sizes of 3vze Engine Torque Specs
 - Highlighting and Note-Taking 3vze Engine Torque Specs
 - Interactive Elements 3vze Engine Torque Specs
8. Staying Engaged with 3vze Engine Torque Specs

- Joining Online Reading Communities
 - Participating in Virtual Book Clubs
 - Following Authors and Publishers 3vze Engine Torque Specs
9. Balancing eBooks and Physical Books 3vze Engine Torque Specs
- Benefits of a Digital Library
 - Creating a Diverse Reading Collection 3vze Engine Torque Specs
10. Overcoming Reading Challenges
- Dealing with Digital Eye Strain
 - Minimizing Distractions
 - Managing Screen Time
11. Cultivating a Reading Routine 3vze Engine Torque Specs
- Setting Reading Goals 3vze Engine Torque Specs
 - Carving Out Dedicated Reading Time
12. Sourcing Reliable Information of 3vze Engine Torque Specs
- Fact-Checking eBook Content of 3vze Engine Torque Specs
 - Distinguishing Credible Sources
13. Promoting Lifelong Learning
- Utilizing eBooks for Skill Development
 - Exploring Educational eBooks
14. Embracing eBook Trends
- Integration of Multimedia Elements
 - Interactive and Gamified eBooks

3vze Engine Torque Specs Introduction

3vze Engine Torque Specs Offers over 60,000 free eBooks, including many classics that are in the public domain. Open Library: Provides access to over 1 million free eBooks, including classic literature and contemporary works. 3vze Engine Torque Specs Offers a vast collection of books, some of which are available for free as PDF downloads, particularly older books in the public domain. 3vze Engine Torque Specs : This website hosts a vast collection of scientific articles, books, and textbooks. While it operates in a legal gray area due to copyright issues, its a popular resource for finding various publications. Internet Archive for 3vze Engine Torque Specs : Has an extensive collection of digital content, including books,

articles, videos, and more. It has a massive library of free downloadable books. Free-eBooks 3vze Engine Torque Specs Offers a diverse range of free eBooks across various genres. 3vze Engine Torque Specs Focuses mainly on educational books, textbooks, and business books. It offers free PDF downloads for educational purposes. 3vze Engine Torque Specs Provides a large selection of free eBooks in different genres, which are available for download in various formats, including PDF. Finding specific 3vze Engine Torque Specs, especially related to 3vze Engine Torque Specs, might be challenging as theyre often artistic creations rather than practical blueprints. However, you can explore the following steps to search for or create your own Online Searches: Look for websites, forums, or blogs dedicated to 3vze Engine Torque Specs, Sometimes enthusiasts share their designs or concepts in PDF format. Books and Magazines Some 3vze Engine Torque Specs books or magazines might include. Look for these in online stores or libraries. Remember that while 3vze Engine Torque Specs, sharing copyrighted material without permission is not legal. Always ensure youre either creating your own or obtaining them from legitimate sources that allow sharing and downloading. Library Check if your local library offers eBook lending services. Many libraries have digital catalogs where you can borrow 3vze Engine Torque Specs eBooks for free, including popular titles. Online Retailers: Websites like Amazon, Google Books, or Apple Books often sell eBooks. Sometimes, authors or publishers offer promotions or free periods for certain books. Authors Website Occasionally, authors provide excerpts or short stories for free on their websites. While this might not be the 3vze Engine Torque Specs full book , it can give you a taste of the authors writing style. Subscription Services Platforms like Kindle Unlimited or Scribd offer subscription-based access to a wide range of 3vze Engine Torque Specs eBooks, including some popular titles.

FAQs About 3vze Engine Torque Specs Books

1. Where can I buy 3vze Engine Torque Specs books? Bookstores: Physical bookstores like Barnes & Noble, Waterstones, and independent local stores. Online Retailers: Amazon, Book Depository, and various online bookstores offer a wide range of books in physical and digital formats.
2. What are the different book formats available? Hardcover: Sturdy and durable, usually more expensive. Paperback: Cheaper, lighter, and more portable than hardcovers. E-books: Digital books available for e-readers like Kindle or software like Apple Books, Kindle, and Google Play Books.
3. How do I choose a 3vze Engine Torque Specs book to read? Genres: Consider the genre you enjoy (fiction, non-fiction, mystery, sci-fi, etc.). Recommendations: Ask friends, join book clubs, or explore online reviews and recommendations. Author: If you like a particular author, you might enjoy more of their work.

4. How do I take care of 3vze Engine Torque Specs books? Storage: Keep them away from direct sunlight and in a dry environment. Handling: Avoid folding pages, use bookmarks, and handle them with clean hands. Cleaning: Gently dust the covers and pages occasionally.
5. Can I borrow books without buying them? Public Libraries: Local libraries offer a wide range of books for borrowing. Book Swaps: Community book exchanges or online platforms where people exchange books.
6. How can I track my reading progress or manage my book collection? Book Tracking Apps: Goodreads, LibraryThing, and Book Catalogue are popular apps for tracking your reading progress and managing book collections. Spreadsheets: You can create your own spreadsheet to track books read, ratings, and other details.
7. What are 3vze Engine Torque Specs audiobooks, and where can I find them? Audiobooks: Audio recordings of books, perfect for listening while commuting or multitasking. Platforms: Audible, LibriVox, and Google Play Books offer a wide selection of audiobooks.
8. How do I support authors or the book industry? Buy Books: Purchase books from authors or independent bookstores. Reviews: Leave reviews on platforms like Goodreads or Amazon. Promotion: Share your favorite books on social media or recommend them to friends.
9. Are there book clubs or reading communities I can join? Local Clubs: Check for local book clubs in libraries or community centers. Online Communities: Platforms like Goodreads have virtual book clubs and discussion groups.
10. Can I read 3vze Engine Torque Specs books for free? Public Domain Books: Many classic books are available for free as they're in the public domain. Free E-books: Some websites offer free e-books legally, like Project Gutenberg or Open Library.

Find 3vze Engine Torque Specs :

[score improvement step by step America 38-782 credit score improvement](#)

[AI marketing tools United States 38-2825 AI marketing tools for creators](#)

[personal finance apps for startups 38-2032 personal finance apps for](#)

[marketing case study for entrepreneurs 38-708 content marketing case](#)

[apps USA 38-2564 blog monetization blueprint United States 38-1787 blog](#)

[38-2233 Instagram growth ideas for entrepreneurs 38-1123 Instagram](#)

[**38-952 online privacy best practices America 38-1388 online privacy best**](#)

[*for startups 38-2669 electric vehicles checklist United States 38-2812*](#)

creators 38-2682 freelancing online roadmap for startups 38-1718

38-875 content marketing guide for startups 38-748 content marketing

38-2861 side hustles checklist for entrepreneurs 38-2869 side hustles

States 38-2502 luxury travel strategies United States 38-93 luxury

for creators 38-2307 healthy recipes tips for entrepreneurs 38-1217

luxury travel best practices for small business 38-41 luxury travel best

parenting tips tutorial for entrepreneurs 38-2586 parenting tips

3vze Engine Torque Specs :

boucherie ovalie - Aug 03 2022

web la boutique boucherie ovalie 2023 quand on est français et que la coupe du monde approche on le sait l important ce n est pas de gagner l important c est d être stylé Ça tombe bien la boucherie sort sa nouvelle collection pour le mondial

boucherie ovalie le podcast sur apple podcasts - Mar 30 2022

web sep 7 2023 après avoir pris les rênes du xv de france la boucherie ovalie termine la préparation de la coupe du monde à domicile et attaque la phase de poules avec un gros choc face à la nouvelle zélande pour débiter les hostilités 55 min 14 juil 2023 episode 10 jeu de rôle la boucherie ovalie prend les rênes du xv de france partie 1

twitter - Dec 27 2021

web we would like to show you a description here but the site won t allow us

boucherie ovalie facebook - Mar 10 2023

web boucherie ovalie 53 359 likes 1 141 talking about this boucherie ovalie org boucherie ovalie

boucherie ovalie - May 12 2023

web ouverte en 2009 la boucherie ovalie est une enseigne spécialisée dans le découpage le taillage l éminçage et les effusions de sang en général parce que le rugby son fairplay et ses belles valeurs c est bien sympa mais ça va deux minutes

boucherie ovalie accueil attention chérie ça va trancher - Aug 15 2023

web aug 31 2023 accueil attention chérie ça va trancher derniers articles c est tout chaud présentation coupe du monde 2023 le pays de galles 02 september 2023

boucherie l ovalie castelginest boucherie adresse pages jaunes - Feb 26 2022

web boucherie l ovalie présentation horaires avis contact infos insee afficher le numéro bât 1 2 grande place 31780

castelginest y aller facebook com voir plus de coordonnées

boucherie ovalie - Jun 01 2022

web jul 29 2023 par maubec tout au long de l été la boucherie ovalie vous présente en détails les 20 équipes qualifiées pour la coupe du monde 2023 basé sur le modèle de ce qui avait été publié dans le livre la découpe du monde du rugby en 2019

ces fiches pays vous offriront un cocktail de

[boucherie ovalie le podcast](#) - Sep 04 2022

web sep 7 2023 voilà l été et pour cette occasion la boucherie ovalie vous a préparé une véritable saga estivale digne de dolmen durant 4 épisodes publiés chaque vendredi les membres de la boucherie prennent les rênes du xv de france à quelques mois de la coupe du monde à domicile

boucherie ovalie halal montpellier à montpellier 74 - Oct 05 2022

web boucherie charcuterie boucherie ovalie halal montpellier montpellier découvrez le numéro de téléphone les avis clients 74 l adresse les horaires d ouverture et les photos du boucherie charcuterie

[boucherie de l ovalie com coutras facebook](#) - Apr 30 2022

web boucherie de l ovalie com coutras aquitaine france 1 216 j aime 1 était ici informer ma clientèle de mes promotions mes produits mes lots et

[boucherie ovalie wikipédia](#) - Jul 14 2023

web la boucherie ovalie est un site web satirique consacré au rugby à xv créé en 2009 ayant pour sous titre attention chérie ça va trancher 1 géré par un collectif la boucherie ovalie est également présente sur twitter a publié deux livres 2 3 et produit une chronique pour canal 4

boucherie ovalie tome 3 sortie fin août attention chérie ça va - Feb 09 2023

web jun 16 2023 boucherie ovalie tome 3 sortie fin août par la boucherie 16 june 2023 après un premier tome sur le rugby professionnel puis un autre sur le rugby amateur la boucherie ovalie s attaque au très haut niveau avec ce qui se fait de mieux dans le monde du rugby le xv de france enfin c est ce que nous les français pensons en tout cas

[boucherie ovalie facebook](#) - Jun 13 2023

web boucherie ovalie 53 487 j aime 2 175 en parlent boucherie ovalie org boucherie ovalie

boucherie ovalie - Jan 08 2023

web sep 8 2023 par le stagiaire tout au long de l été la boucherie ovalie vous a présenté en détails les 20 équipes qualifiées pour la coupe du monde 2023 basé sur le modèle de ce qui avait été publié dans le livre la découpe du monde du rugby en 2019 ces fiches pays vous ont offert

boucherie ovalie boucherieovalie instagram photos and videos - Nov 06 2022

web boucherieovalie follow 132 posts 9 665 followers 345 following boucherie ovalie sales gosses depuis 2009 la vie est trop courte pour comprendre le rugby alors autant en rigoler pour du rab direction l'arrière cuisine

[boucherie ovalie boucherieovalie twitter profile sotwe](#) - Jul 02 2022

web see tweets replies photos and videos from boucherieovalie twitter profile 150 4k followers 3 1k following sales gosses depuis 2009 la vie est trop courte pour comprendre le rugby alors autant en rigoler

[boucherie ovalie fnac](#) - Dec 07 2022

web aug 27 2015 dans cet ouvrage ambitieux de 288 pages au graphisme soigné et inventif et à la fabrication élégante en bichromie rouge et noir mais au ton résolument provocateur et drôle c est le monde de l ovalie sans distingo qui

[boucherie ovalie youtube](#) - Jan 28 2022

web boucherie tv

boucherie ovalie boucherieovalie twitter - Apr 11 2023

web sales gosses depuis 2009 la vie est trop courte pour comprendre le rugby alors autant en rigoler boucherie ovalie org

[the strictly bipolar copy](#) - Jun 07 2022

web the strictly bipolar bipolar mar 05 2023 it is estimated that as many as fifty percent of patients initially diagnosed with major unipolar depression up mdd will subsequently incur a manic episode or discover a past subtle episode and will have had bipolar depression rather than mdd the average bipolar individual suffers with episodic

[strictly bipolar by darian leader review the guardian](#) - Oct 23 2023

web may 6 2013 in this short essay length book leader picks apart the rebranding and subdividing of bipolar disorder and goes in pursuit of a classical definition of manic depression the argument opens on

strictly bipolar national library board singapore overdrive - Apr 17 2023

web strictly bipolar is darian leader s treatise on the psychological disorder of our times if the post war period was called the age of anxiety and the 1980s and 90s the antidepressant era we now live in bipolar times mood stabilising medication is routinely prescribed to adults and children al

strictly bipolar penguin books uk - Aug 21 2023

web strictly bipolar is darian leader s treatise on the psychological disorder of our times if the post war period was called the age of anxiety and the 1980s and 90s the antidepressant era we now live in bipolar times

strictly bipolar by darian leader goodreads - Sep 22 2023

web may 2 2013 3 86 371 ratings43 reviews strictly bipolar is darian leader s treatise on the psychological disorder of our times if the post war period was called the age of anxiety and the 1980s and 90s the antidepressant era we now live in bipolar times

[strictly bipolar by darian leader waterstones](#) - Apr 05 2022

web may 2 2013 strictly bipolar is darian leader s treatise on the psychological disorder of our times if the post war period

was called the age of anxiety and the 1980s and 90s the antidepressant era we now live in bipolar times

strictly bipolar paperback 2 may 2013 amazon co uk - Aug 09 2022

web may 2 2013 strictly bipolar is darian leader s treatise on the psychological disorder of our times if the post war period was called the age of anxiety and the 1980s and 90s the antidepressant era we now live in bipolar times

strictly bipolar darian leader google books - May 18 2023

web strictly bipolar is darian leader s treatise on the psychological disorder of our times if the post war period was called the age of anxiety and the 1980s and 90s the antidepressant era

strictly come dancing fans shocked by leaked exit spoiler as - Mar 16 2023

web nov 19 2023 angela rippon then took to the floor for her full circle moment the veteran broadcaster returned to blackpool decades after hosting come dancing the classic inter regional amateur dance contest that inspired strictly come dancing as she performed an american smooth to tea for two by ella fitzgerald

bipolar disorder world health organization - Nov 12 2022

web bipolar disorder is a treatable illness in which a person experiences extreme mood swings and activity levels these are different from the usual ups and downs that everyone feels because they cause serious impairment in function

strictly come dancing 2023 week nine results live blackpool - Mar 04 2022

web nov 19 2023 from come dancing to strictly come dancing and from one televised blackpool show to another it was as we kept hearing on saturday night a full circle moment for angela rippon it felt right

strictly bipolar leader darian 9780241146101 amazon com - Jun 19 2023

web may 2 2013 darian leader s strictly bipolar is an excellent book it unravels the myths surrounding manic depression and its over diagnosis in modern psychiatry but is also sensitive in outlook and leader a distinguished london based psychoanalyst fully understands the horrible highs and lows of the illness and how it makes sufferers

strictly bipolar by darian leader librarything - Oct 11 2022

web 9 strictly bipolar is darian leader s treatise on the psychological disorder of our times if the post war period was called the age of anxiety and the 1980s and 90s the antidepressant era we now live in bipolar times mood stabilising medication is routinely prescribed to adults

strictly bipolar by darian leader overdrive - May 06 2022

web may 2 2013 strictly bipolar is darian leader s treatise on the psychological disorder of our times if the post war period was called the age of anxiety and the 1980s and 90s the antidepressant era we now live in bipolar times mood stabilising medicat

strictly bipolar pdf download read online - Jul 08 2022

web may 2 2013 strictly bipolar is popular pdf and epub book written by darian leader in 2013 05 02 it is a fantastic choice for those who relish reading online the psychology genre let s immerse ourselves in this engaging psychology book by exploring the summary and details provided below

strictly bipolar anna s archive - Jan 14 2023

web strictly bipolar penguin books 2013 darian leader a treatise on the psychological disorder of our times if the post war period was called the age of anxiety and the 1980s and 90s the antidepressant era we now live in bipolar times

bookishbipolar - Jul 20 2023

web jul 20 2023 strictly bipolar book review re upload strictly bipolar by darian leader provides an interesting yet challenging and arguably conspiratory embrace of the modern intersection b read more july 20 2023 the discomfort of evening

the strictly bipolar leader darian 9780241146101 zvab - Sep 10 2022

web strictly bipolar is darian leader s treatise on the psychological disorder of our times if the post war period was called the age of anxiety and the 1980s and 90s the antidepressant era we now live in bipolar times

strictly come dancing 2023 week 9 recap radio times - Dec 13 2022

web nov 19 2023 published sunday 19 november 2023 at 11 04 am subscribe to radio times magazine and get 10 issues for 10 save it was an exhilarating night on strictly come dancing as the celebrities took

strictly bipolar by darian leader goodreads - Feb 15 2023

web strictly bipolar is darian leader s treatise on the psychological disorder of our times if the post war period was called the age of anxiety and the 1980s and 90s the antidepressant era we now live in bipolar times

türkçenin anadolu da yazi dili olarak gelişmesi - Mar 30 2022

web kaynakça arat reşit rahmeti anadolu yazı dilinin tarihî inkişafına dair v türk tarih kongresi 1956 ankara 1960 s 225 232 ateş ahmed hicrî vii viii xii xiv asırlarda anadolu da farsça eserler tm vii viii 2 1945 s 94 135 aziz b erdeşir i esterâbâdî bezm u rezm trc mürsel Öztürk ankara 1990

unsere schrift eine einführung in die entwicklung ihrer - Aug 15 2023

web unsere schrift eine einführung in die entwicklung ihrer stilformen dt lat eine einführung in die schriftkunde sturm heribert amazon de bücher bücher sozialwissenschaft medienwissenschaft neu 12 90 preisangaben inkl ust abhängig von der lieferadresse kann die ust an der kasse variieren weitere informationen

istanbul referat hausaufgabe hausarbeit lern tippsammlung de - Jan 28 2022

web z meereenge bosporus 30 km lang über dem bosporus ist die bosporusbrücke 1560 m eine der längsten hängebrücken der welt geschichte istanbul hieß bis 330 byzanz von 330 bis 1930 konstantinopel und trägt seit 1930 seinen heutigen namen

zu zeiten als istanbul noch byzanz hieß war die stadt eine griech koloniestadt

unsere schrift eine einföhrung in die entwicklung ihrer - May 12 2023

web köln 2010 geschichte der utopie eine einföhrung blogger unsere schrift eine einföhrung in die schriftkunde wie entsdant die schrift hfbk hamburg de unsere schrift einföhrung in die entwicklung ihrer unsere schrift eine einfä hrunng in die entwicklung ihrer schriftgeschichte die schöne alte

unsere schrift eine einföhrung in die entwicklung ihrer - Jul 14 2023

web unsere schrift eine die entwicklung der handschrift erika brinkmann schriften der welt geschichte der schrift wie entwicklung ihrer stilformen 2 copies unsere schrift einföhrung in die entwicklung ihrer stilformen 1 copy schrift june 3rd 2020 andrew robinson die geschichte der schrift albatros düsseldorf 2004 isbn 3 491 96129 7

unsere schrift eine einföhrung in die entwicklung pdf copy - Jul 02 2022

web unsere schrift eine einföhrung in die entwicklung pdf upload dona p williamson 1 2 downloaded from ieducar jaciara mt gov br on march 14 2023 by dona p williamson schrift eine einföhrung in die entwicklung pdf is approachable in our digital library an online admission to it is set as public as a result you can download it

informationsschrift auf türkisch übersetzen deutsch türkisch - Apr 30 2022

web 1 Übersetzungen für das wort informationsschrift vom deutschen ins türkische

unsere schrift eine einföhrung in die entwicklung pdf pdf - Aug 03 2022

web unsere schrift eine einföhrung in die entwicklung pdf upload caliva d boyle 1 3 downloaded from voto unéal edu br on september 1 2023 by unsere schrift eine einföhrung in die entwicklung pdf unveiling the power of verbal artistry an psychological sojourn through unsere schrift eine einföhrung in die entwicklung pdf

unsere schrift eine einföhrung in die entwicklung pdf paul - Feb 09 2023

web jun 4 2023 begreift alle völker ein die sich der schrift bedienen und bedient haben alle sprachen die neben der mündlichen eine schriftliche sprachform ausgebildet haben alle gruppen und individuen deren leben durch den umgang mit schrift und schriftlichen texten bestimmt wurde und wird die erforschung von schrift und schriftlichkeit ist

unsere schrift eine einföhrung in die entwicklung pdf - Jan 08 2023

web mar 17 2023 we pay for unsere schrift eine einföhrung in die entwicklung and numerous book collections from fictions to scientific research in any way in the midst of them is this unsere schrift eine einföhrung in die entwicklung that can be your partner die entwicklung der schrift vom 12 bis ins 19 jahrhundert hellmut gutzwiler 1981

unsere schrift eine einföhrung in die schriftkunde - Apr 11 2023

web einföhrung in die entwicklung ihrer stilformen mit einer Übersicht der schriftentwicklung in alphabeten seit über 40 jahren das standardwerk zur schriftentwicklung die kenntnis der entwicklung unserer schrift zumindest in den grundzügen

ist für jedermann voraussetzung der historische quellen im original benutzen will

sanatın ve uygarlığın gelişmesindeki Önemi yazı atölyesi - Feb 26 2022

web jan 10 2017 tolstoy İnsanın bir zamanlar yaşamış olduğu duyguyu kendinde canlandırdıktan sonra aynı duyguyu başkalarının da hissedebilmesi için hareket ses çizgi renk veya kelimelerle belirlenen biçimlerle ifade etme ihtiyacından sanat ortaya çıkmıştı der İnsan nasıl duymaya düşünmeye başladığı andan itibaren kelimenin gerçek anlamıyla

unsere schrift eine einfuehrung in die entwicklung pdf e - Oct 05 2022

web 2 unsere schrift eine einfuehrung in die entwicklung 2022 10 10 der in der reihe bayerische heimatforschung herausgegebenen einfuehrung in die schriftkunde wth illustrations springer verlag diese aus der lehrpraxis entstandene propädeutische einfuehrung in die historischen hilfswissenschaften ist seit ihrem erscheinen zum

unsere schrift eine einfuehrung in die entwicklung pdf - Jun 01 2022

web may 6 2023 erstmals einen umfassenden Überblick über den gegenstand die geschichte die wissenschaftstheoretischen voraussetzungen und den stand der kanzleisprachenforschung

unsere schrift eine einfuehrung in die entwicklung paul bonn - Mar 10 2023

web unsere schrift eine einfuehrung in die entwicklung is available in our digital library an online access to it is set as public so you can download it instantly our books collection spans in multiple locations allowing you to get the most less latency time to download any of our books like this one

unsere schrift eine einfuehrung in die entwicklung pdf - Sep 04 2022

web unsere schrift eine einfuehrung in die entwicklung 1 4 downloaded from uniport edu ng on may 31 2023 by guest unsere schrift eine einfuehrung in die entwicklung this is likewise one of the factors by obtaining the soft documents of this unsere schrift eine einfuehrung in die entwicklung by online

unsere schrift eine einfuehrung in die entwicklung copy - Jun 13 2023

web unsere schrift eine einfuehrung in die entwicklung einfuehrung in die entscheidungstheorie feb 01 2023 scientia nova veröffentlicht originalarbeiten bahnbrechender forschler oder allgemeinverständliche einfuehrungen in schwierige spezialgebiete die für die philosophie logik und mathematik von ebenso großer

istanbul referat hausaufgabe hausarbeit - Dec 27 2021

web mitunter vor große herausforderungen gestellt während die strömung vom schwarzen meer richtung istanbul an der oberfläche verlaufen liegen sie vom marmarameer kommend in rund 40 m tiefe und fließen in die gegenrichtung auch ein beliebtes touristenziel ist die sultan ahmet moschee auch blaue moschee genannt

unsere schrift eine einfuehrung in die entwicklung download - Dec 07 2022

web einfuehrung in die kombinatorik unsere schrift versuch den ursprung der spielkarten die einfuehrung des leinenpapieres

und den anfang der holzschneidekunst in europa zu erforschen einführung in die schriftkunde unsere schrift einführung in die entwicklung ihrer stilformen 2 erweiterte auflage der in der reihe
unsere schrift eine einführung in die entwicklung paul bonn copy - Nov 06 2022
web yeah reviewing a books unsere schrift eine einführung in die entwicklung could increase your near links listings this is just one of the solutions for you to be successful as understood success does not recommend that you have wonderful points comprehending as capably as deal even more than other will manage to pay for each success