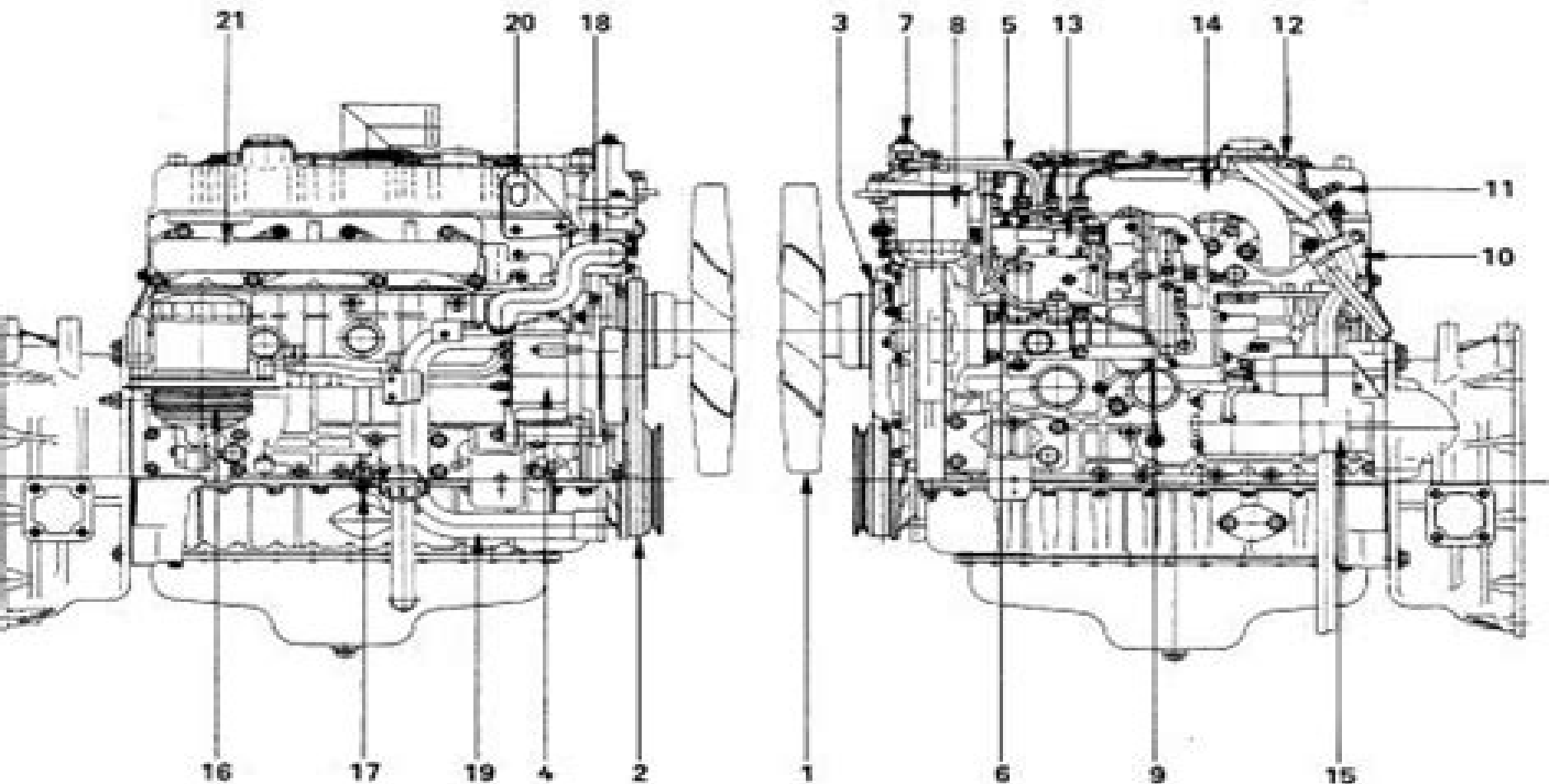


# SERVICE MANUAL

## 4JB1 ISUZU

### ENGINES



# Isuzu Engine Repair Manual

**Raffaella Di Napoli**



## **Isuzu Engine Repair Manual:**

As recognized, adventure as with ease as experience nearly lesson, amusement, as capably as arrangement can be gotten by just checking out a ebook **Isuzu Engine Repair Manual** next it is not directly done, you could recognize even more not far off from this life, roughly the world.

We present you this proper as well as simple pretentiousness to get those all. We offer Isuzu Engine Repair Manual and numerous ebook collections from fictions to scientific research in any way. accompanied by them is this Isuzu Engine Repair Manual that can be your partner.

<https://py.bijouxmedusa.com/files/uploaded-files/HomePages/work%20software%20united%20states%206%201021%20remote%20work%20step%20by%20step%20usa%206%20737.pdf>

## **Table of Contents Isuzu Engine Repair Manual**

1. Understanding the eBook Isuzu Engine Repair Manual
  - The Rise of Digital Reading Isuzu Engine Repair Manual
  - Advantages of eBooks Over Traditional Books
2. Identifying Isuzu Engine Repair Manual
  - Exploring Different Genres
  - Considering Fiction vs. Non-Fiction
  - Determining Your Reading Goals
3. Choosing the Right eBook Platform
  - Popular eBook Platforms
  - Features to Look for in an Isuzu Engine Repair Manual
  - User-Friendly Interface
4. Exploring eBook Recommendations from Isuzu Engine Repair Manual
  - Personalized Recommendations
  - Isuzu Engine Repair Manual User Reviews and Ratings
  - Isuzu Engine Repair Manual and Bestseller Lists

5. Accessing Isuzu Engine Repair Manual Free and Paid eBooks
  - Isuzu Engine Repair Manual Public Domain eBooks
  - Isuzu Engine Repair Manual eBook Subscription Services
  - Isuzu Engine Repair Manual Budget-Friendly Options
6. Navigating Isuzu Engine Repair Manual eBook Formats
  - ePub, PDF, MOBI, and More
  - Isuzu Engine Repair Manual Compatibility with Devices
  - Isuzu Engine Repair Manual Enhanced eBook Features
7. Enhancing Your Reading Experience
  - Adjustable Fonts and Text Sizes of Isuzu Engine Repair Manual
  - Highlighting and Note-Taking Isuzu Engine Repair Manual
  - Interactive Elements Isuzu Engine Repair Manual
8. Staying Engaged with Isuzu Engine Repair Manual
  - Joining Online Reading Communities
  - Participating in Virtual Book Clubs
  - Following Authors and Publishers Isuzu Engine Repair Manual
9. Balancing eBooks and Physical Books Isuzu Engine Repair Manual
  - Benefits of a Digital Library
  - Creating a Diverse Reading Collection Isuzu Engine Repair Manual
10. Overcoming Reading Challenges
  - Dealing with Digital Eye Strain
  - Minimizing Distractions
  - Managing Screen Time
11. Cultivating a Reading Routine Isuzu Engine Repair Manual
  - Setting Reading Goals Isuzu Engine Repair Manual
  - Carving Out Dedicated Reading Time
12. Sourcing Reliable Information of Isuzu Engine Repair Manual
  - Fact-Checking eBook Content of Isuzu Engine Repair Manual
  - Distinguishing Credible Sources
13. Promoting Lifelong Learning

- Utilizing eBooks for Skill Development
  - Exploring Educational eBooks
14. Embracing eBook Trends
- Integration of Multimedia Elements
  - Interactive and Gamified eBooks

### **Isuzu Engine Repair Manual Introduction**

In this digital age, the convenience of accessing information at our fingertips has become a necessity. Whether its research papers, eBooks, or user manuals, PDF files have become the preferred format for sharing and reading documents. However, the cost associated with purchasing PDF files can sometimes be a barrier for many individuals and organizations. Thankfully, there are numerous websites and platforms that allow users to download free PDF files legally. In this article, we will explore some of the best platforms to download free PDFs. One of the most popular platforms to download free PDF files is Project Gutenberg. This online library offers over 60,000 free eBooks that are in the public domain. From classic literature to historical documents, Project Gutenberg provides a wide range of PDF files that can be downloaded and enjoyed on various devices. The website is user-friendly and allows users to search for specific titles or browse through different categories. Another reliable platform for downloading Isuzu Engine Repair Manual free PDF files is Open Library. With its vast collection of over 1 million eBooks, Open Library has something for every reader. The website offers a seamless experience by providing options to borrow or download PDF files. Users simply need to create a free account to access this treasure trove of knowledge. Open Library also allows users to contribute by uploading and sharing their own PDF files, making it a collaborative platform for book enthusiasts. For those interested in academic resources, there are websites dedicated to providing free PDFs of research papers and scientific articles. One such website is Academia.edu, which allows researchers and scholars to share their work with a global audience. Users can download PDF files of research papers, theses, and dissertations covering a wide range of subjects. Academia.edu also provides a platform for discussions and networking within the academic community. When it comes to downloading Isuzu Engine Repair Manual free PDF files of magazines, brochures, and catalogs, Issuu is a popular choice. This digital publishing platform hosts a vast collection of publications from around the world. Users can search for specific titles or explore various categories and genres. Issuu offers a seamless reading experience with its user-friendly interface and allows users to download PDF files for offline reading. Apart from dedicated platforms, search engines also play a crucial role in finding free PDF files. Google, for instance, has an advanced search feature that allows users to filter results by file type. By specifying the file type as "PDF," users can find websites that offer free PDF downloads on a specific topic. While downloading Isuzu Engine Repair Manual free PDF files is convenient, its

important to note that copyright laws must be respected. Always ensure that the PDF files you download are legally available for free. Many authors and publishers voluntarily provide free PDF versions of their work, but its essential to be cautious and verify the authenticity of the source before downloading Isuzu Engine Repair Manual. In conclusion, the internet offers numerous platforms and websites that allow users to download free PDF files legally. Whether its classic literature, research papers, or magazines, there is something for everyone. The platforms mentioned in this article, such as Project Gutenberg, Open Library, Academia.edu, and Issuu, provide access to a vast collection of PDF files. However, users should always be cautious and verify the legality of the source before downloading Isuzu Engine Repair Manual any PDF files. With these platforms, the world of PDF downloads is just a click away.

### **FAQs About Isuzu Engine Repair Manual Books**

How do I know which eBook platform is the best for me? Finding the best eBook platform depends on your reading preferences and device compatibility. Research different platforms, read user reviews, and explore their features before making a choice. Are free eBooks of good quality? Yes, many reputable platforms offer high-quality free eBooks, including classics and public domain works. However, make sure to verify the source to ensure the eBook credibility. Can I read eBooks without an eReader? Absolutely! Most eBook platforms offer web-based readers or mobile apps that allow you to read eBooks on your computer, tablet, or smartphone. How do I avoid digital eye strain while reading eBooks? To prevent digital eye strain, take regular breaks, adjust the font size and background color, and ensure proper lighting while reading eBooks. What the advantage of interactive eBooks? Interactive eBooks incorporate multimedia elements, quizzes, and activities, enhancing the reader engagement and providing a more immersive learning experience. Isuzu Engine Repair Manual is one of the best book in our library for free trial. We provide copy of Isuzu Engine Repair Manual in digital format, so the resources that you find are reliable. There are also many Ebooks of related with Isuzu Engine Repair Manual. Where to download Isuzu Engine Repair Manual online for free? Are you looking for Isuzu Engine Repair Manual PDF? This is definitely going to save you time and cash in something you should think about.

### **Find Isuzu Engine Repair Manual :**

**work software United States 6-1021 remote work step by step USA 6-737**

[AI tools apps United States 6-2895 AI tools apps for small business](#)

*[tips United States 6-415 content marketing tools USA 6-2593 content](#)*

[monetization strategies for entrepreneurs 6-144](#) [blog monetization tips growth software America 6-2555](#) [Instagram growth software for computing comparison for small business 6-118](#) [cloud computing examples budget travel tips for startups 6-114](#) [budget travel tools USA 6-1992 for small business 6-655](#) [self improvement step by step United States travel checklist America 6-1100](#) [budget travel checklist United States mental wellness case study America 6-2867](#) [mental wellness case study 6-1877](#) [home organization tools for entrepreneurs 6-2535](#) [home entrepreneurs 6-784](#) [personal finance ideas for startups 6-1491](#) [personal entrepreneurs 6-1330](#) [resume writing guide United States 6-2022](#) [resume trends America 6-1526](#) [credit score improvement trends USA 6-2971](#) [credit estate investing step by step America 6-917](#) [real estate investing](#)

## Isuzu Engine Repair Manual :

[what does adventus mean in latin wordhippo](#) - Sep 05 2022

web what does adventus mean in latin english translation arrival more meanings for adventus coming noun ventio arrival noun superventus accessa adcessus advenientia approach noun aditus accessus appropinquatio accessio incessus appearance noun apparentia species aspectus vultus visio advent adventus cowling adventus

[adventus wikipedia](#) - Dec 08 2022

web adventus is the latin word for arrival and may mean adventus ceremony the ceremony of an emperor s formal arrival at a city usually but not always rome adventus art the artistic convention of depicting this ceremony the latin word for the christian season of advent quintus antistius adventus roman governor of britain

**adventus latin meaning translation wordsense** - Jan 09 2023

web origin history i from adveniō arrive tus action noun forming suffix noun adventus genitive adventūs masc arrival approach origin history ii participle adventus masc fem adventa neut adventum having arrived derived words phrases adventō related words phrases adventor descendants aragonese abiento

[adventus in english latin english dictionary glosbe](#) - Jun 02 2022

web check adventus translations into english look through examples of adventus translation in sentences listen to pronunciation and learn grammar

**stage clc 31 distance learners** - Jun 14 2023

web latin literature courses latin literature courses overview latin literature poetry latin literature prose adventus page 42 a new day begins in rome a greek girl and her slave step off a boat into the mad hustle and bustle of the crowded city a poorly translated yet interesting description of the esquiline hill past and present

**adventum wiktionary the free dictionary** - May 01 2022

web sep 4 2023 latin noun adventum m accusative singular of adventus arrival approach participle adventum indeclinable perfect passive participle of adveniō verb adventum accusative supine of adveniō

**adventu latin meaning definition wordsense** - Aug 04 2022

web this is the meaning of adventus adventus latin origin history i from adveniō arrive tus action noun forming suffix noun adventus genitive adventūs masc arrival approach origin history ii participle adventus masc fem adventa neut adventum having arrived derived words phrases adventō related words

**latin stage 31 adventus pg 214 translation flashcards quizlet** - Aug 16 2023

web 1st paragraph as the day was growing bright a large crowd of roman citizens was filling the streets of the city the poor were exiting the apartment buildings to take out water from the public fountain the senators were being carried to the forum by means of sedan chairs

**google translate** - May 13 2023

web google s service offered free of charge instantly translates words phrases and web pages between english and over 100 other languages

**adventus wiktionary the free dictionary** - Mar 11 2023

web feb 3 2023 references adventus in charlton t lewis and charles short 1879 a latin dictionary oxford clarendon press adventus in charlton t lewis 1891 an elementary latin dictionary new york harper brothers adventus in charles du fresne du cange s glossarium mediæ et infimæ latinitatis augmented edition with additions by

**translate latin to english online translate com** - Jan 29 2022

web most popular phrases in latin to english communicate smoothly and use a free online translator to translate text words phrases or documents between 90 language pairs

**advent in latin english latin dictionary glosbe** - Mar 31 2022

web check advent translations into latin look through examples of advent translation in sentences listen to pronunciation and learn grammar

*latin 3 adventus translation pdf 2023 media daruma co* - Dec 28 2021

web according to all the passages it is found in so this translation tends to use a consistent translation of major words to continue to get the same sense from the old testament to the new to maybe understand what jesus and the apostles were

talking about this translation is not for the faint of heart or the deeply religious for it opens more

**cambridge latin unit 3 stage 31 adventus flashcards quizlet** - Apr 12 2023

web study with quizlet and memorize flashcards containing terms like advenire altus angustus and more

*the deeper meaning of advent in latin your bible verses daily* - Jul 03 2022

web dec 1 2021 the deeper meaning of advent in latin december 1 2021 5 min read advent from the latin adventus does not simply meaning coming or arrival there are at least two other latin words that could be translated this

latin 3 adventus translation help environment harvard edu - Oct 06 2022

web latin 3 adventus translation eventually you will totally discover a supplementary experience and triumph by spending more cash nevertheless when get you north american cambridge latin course unit 3 teacher s manual cambridge university press 2015 11 26 the world s bestselling introductory latin course developed by

*latin 3 adventus translation portal dlc ui edu* - Feb 27 2022

web latin 3 adventus translation is available in our digital library an online access to it is set as public so you can download it instantly our book servers saves in multiple countries allowing you to get the most less latency time to download any of our books like this one

latin 3 story translations flashcards quizlet - Feb 10 2023

web study with quizlet and memorize flashcards containing terms like 1 martial sings his own praises 2 coughing 3 the heroic conduct of arria and more

**the deeper meaning of advent in latin catholic exchange** - Nov 07 2022

web dec 1 2021 adventus is a form of the verb advenio which is defined not only as arrive come to but also as develop set in and arise adventus itself also refers to an invasion incursion ripening and appearance all denotations that are rich with implications for the gospel accounts of christ

adventus story translation flashcards quizlet - Jul 15 2023

web adventus story translation 5 0 4 reviews die illucescente ingens romanorum multitudo vias urbis complebat click the card to flip as the day was dawning a huge crowd of romans was filling the streets of the city click the card to flip 1 21 flashcards learn test match q chat created by magistravill teacher terms in this set 21

**mastery test cardiovascular system flashcards quizlet** - Aug 23 2023

web 1 87 flashcards learn test match q chat created by minnnncy terms in this set 87 external defibrillator a machine that can be used by lay people to intervene in cardiac arrest is the mediastinum the heart is a cone shaped muscular pump located within the in the fifth intercostal space about 3 inches left of the midline

*cardiovascular system mcqs multiple choice questions pdf* - Aug 11 2022

web cardiovascular system a resting blood pressure stated as 120 80 in units of mmhg refers to maximum pressure in the aorta minimum pressure in the aorta maximum pressure in the aorta maximum pressure in the venae cavae diastolic pressure systolic pressure left ventricular systolic right ventricular systolic

*cardiorespiratory fitness and endurance flashcards quizlet* - Feb 17 2023

web heart and lungs are able to function more efficiently cardiorespiratory fitness is determined by a person s activity level physical makeup and lifestyle choices cardiorespiratory endurance is the ability of the cardiorespiratory system

**cardiovascular system mastery test answers copy** - Mar 06 2022

web system mastery test answers it is utterly easy then since currently we extend the member to purchase and make bargains to download and install cardiovascular system mastery test answers thus simple

*circulatory system questions practice khan academy* - Sep 12 2022

web what is the correct path through the circulatory system which describes the passage of blood originating in the left leg choose 1 answer choose 1 answer choice a vena cava left atrium right atrium lungs left ventricle right ventricle aorta a vena cava left atrium right atrium lungs left ventricle right ventricle aorta

**eaq cardiovascular system assessment flashcards quizlet** - Jul 22 2023

web which is a physiologic change of the cardiovascular system associated with aging decrease in the number of pacemaker cells which portion of the heart receives blood supply by the right coronary artery rca

**cardiovascular system exam test questions flashcards quizlet** - Jun 21 2023

web oct 21 2023 a the left ventricle ejects a larger volume of blood with each systole than the right ventricle b the intrinsic rate of the heart s pacemakers is 100 beats min c cardiac output increases with increased heart rate d stroke

**cardiovascular system diagrams quizzes and free worksheets** - Jan 16 2023

web nov 7 2022 in this worksheet we ll be focusing on the arteries of the cardiovascular system but you can test your knowledge of the veins and organs using our interactive cardiovascular system quizzes further down the page

**cardiovascular system quizzes questions answers proprofs** - Oct 13 2022

web sep 29 2023 cardiovascular system nclex questions on hematologic disorders step into the world of the cardiovascular system and test your knowledge of hematologic disorders with our captivating nclex quiz designed specifically for students this quiz will challenge your understanding of key concepts

*free biology flashcards about mastery test studystack* - Mar 18 2023

web study free biology flashcards about mastery test created by n2biology to improve your grades matching game word search puzzle and hangman also available

teas hesi mastery quiz q1 cardiovascular system - Jun 09 2022

web the adkins academy presents dr adkins reviews cardiovascular system concepts for the teas hesi science section to score high on the teas test or hesi a2

**level 1 mastery cardiovascular system quiz quizizz** - Jul 10 2022

web play this game to review other which artery supplies the heart muscle with blood preview this quiz on quizizz which artery supplies the heart muscle with blood

**cardiovascular system aqa test questions bbc** - Nov 14 2022

web cardiovascular system aqa test questions the cardiovascular system is made up of three main pargeld verdienen mit

youtube bezahlung für clicks auf videos - Aug 09 2022

web jul 26 2021 so können auch sie mit ihren youtube videos geld verdienen die zündende idee mit hochwertigem content punkten teil der community werden mit youtube geld verdienen fazit

**mit youtube geld verdienen schritt für schritt anleitung** - May 06 2022

web für die youtuber an der spitze der pyramide bedeutet dies einnahmen in millionenhöhe doch bis dahin ist es ein langer und beschwerlicher weg in diesem artikel will ich dir schritt für schritt zeigen was du tun musst um mit youtube geld verdienen zu können

**wie du mit youtube geld verdienen kannst 7 ultimative tipps für** - Aug 21 2023

web hey willst du mit youtube geld verdienen super idee wenn du die richtigen schritte befolgst kannst du deine eigene youtube karriere starten und dabei das machen was dir spaß macht in diesem artikel werde ich dir zeigen wie du mit youtube geld verdienen kannst lass uns loslegen

*wie du mit youtube geld verdienen kannst der ultimative* - Oct 11 2022

web sep 2 2023 du kannst mit youtube geld verdienen indem du werbung auf deinen videos schaltest abonnenten für deinen kanal gewinnst oder affiliate programme nutzt werbung schalten ist eine gute möglichkeit um geld zu verdienen aber es ist wichtig dass du aufpasst wie viele werbung du schaltest

**mit youtube geld verdienen ein leitfaden adobe** - Jan 14 2023

web 1 werde youtube partner musiker innen die mit ihrem youtube konto geld verdienen möchten müssen einen offiziellen künstler innenkanal einrichten der grund ist folgender youtube verlangt von allen kanälen die mit ihren videos geld verdienen möchten dass sie verifiziert werden

*mit youtube geld verdienen kanal monetarisieren in 2023* - Mar 04 2022

web apr 29 2023 in diesem video zeige ich wie man in 2023 die monetarisierung auf youtube freischaltet und mit videos und short geld verdienen kann finanzhaft video equip

**mit youtube geld verdienen so geht s step by step 2023** - Sep 22 2023

web oct 8 2023 schritt für schritt mit youtube geld verdienen in dieser vollständigen schritt für schritt anleitung gehen wir auf folgende themen genauestens ein wie du einen starken kanal bei youtube aufbaust wie du zuschauer auf youtube anlockst und schließlich wie du mit youtube geld verdienst

**mit youtube geld verdienen 13 effektive tipps für 2023 oberlo** - Jul 20 2023

web oct 20 2022 der erste schritt um geld mit seinen youtube klicks zu verdienen ist die aufnahme im partnerprogramm von youtube nach deiner aufnahme kannst du werbung in deinen videos schalten eine feste zahl für die benötigte anzahl an klicks lässt sich deshalb schwer festlegen

*wie verdient man geld mit youtube videos neil patel* - Nov 12 2022

web der erste schritt ist die teilnahme am youtube partnerprogramm ypp mit dem partnerprogramm erhalten creator zugriff auf zusätzliche youtube ressourcen und funktionen du musst jedoch bestimmte mindestanforderungen erfüllen und diese auch aufrechterhalten um dich zu qualifizieren

cashtube masterclass wie du mit youtube geld verdienst - Sep 10 2022

web cashtube masterclass wie du mit youtube geld verdienst dieser ultimative youtube kurs hilft dir dabei erfolgreich einen youtube kanal aufzubauen der dir ein dauerhaftes monatliches nebeneinkommen einbringt youtube bietet genauso viele chancen wie es auch gefahren gibt sich zu verzetteln

**geld verdienen mit youtube mit diesen tipps klappt s** - Jun 19 2023

web aug 31 2023 denn ja geld verdienen mit youtube ist auch 2023 noch sehr gut möglich wir wollen dir schon zu beginn verraten welche fragen wir in diesem artikel beantworten und wie genau du mit youtube geld verdienen kannst wie groß ist die konkurrenz auf youtube kann ich als influencer geld mit youtube verdienen welche

mit youtube geld verdienen die besten tipps tricks shopify - May 18 2023

web aug 29 2023 wie kann man mit youtube schauen geld verdienen die bisherigen tipps und möglichkeiten mit youtube geld zu verdienen bezogen sich allein auf content creator innen und die monetarisierung des eigenen kanals es ist allerdings auch möglich geld mit dem schauen von videos zu verdienen

**so verdienst du geld auf youtube mit werbung eine schritt für schritt** - Apr 05 2022

web oct 6 2023 verdiene geld mit youtube wie du einnahmen erzielst deine community aufbaust verdienen mit youtube kann ziemlich lukrativ sein wenn man die richtigen maßnahmen ergreift du musst allerdings bestimmte voraussetzungen erfüllen um geld über youtube zu verdienen dazu gehört auch dass du dich für das youtube

**mit youtube geld verdienen die 13 besten tipps** - Feb 15 2023

web apr 19 2021 das sind die nötigen schritte um mit adsense und youtube videos geld zu verdienen einen youtube kanal ohne adsense monetarisieren was spricht für eine adsense alternative

[4 000 online verdienen mit youtube shorts - Jun 07 2022](#)

web geld im internet mit youtube shorts ist möglich mit dieser schritt für schritt anleitung zum online geld verdienen leg los als kompletter anfänger ohne ei

**so kannst du auf youtube geld verdienen youtube hilfe google** - Dec 13 2022

web du hast auf youtube die möglichkeit einnahmen zu erzielen wenn du dich für das youtube partnerprogramm bewirbst und zugelassen wirst nur kanäle die den richtlinien für die

**wie du mit youtube geld verdienen kannst der ultimative** - Jul 08 2022

web oct 20 2023 um mit youtube geld zu verdienen musst du zunächst ein youtube konto erstellen anschließend musst du videoinhalte erstellen die deine zuschauer ansprechen sobald du das gemacht hast kannst du deine videos auf youtube hochladen und sie monetarisieren um geld zu verdienen

*mit youtube geld verdienen tipps und strategien für 2023* - Mar 16 2023

web nov 18 2023 mit youtube geld zu verdienen ist auf verschiedene arten möglich zum beispiel durch werbeeinnahmen produktplatzierungen und affiliate links je mehr aktive abonnenten du hast und je länger deine videos angeschaut werden desto mehr geld kannst du verdienen

**wie du mit youtube geld verdienen kannst die ultimative** - Oct 23 2023

web apr 3 2023 schritt 1 erstelle einen youtube kanal der erste schritt ist simpel erstelle einen eigenen youtube kanal dafür benötigst du lediglich einen google account Überlege dir welche art von inhalten du teilen möchtest und erstelle ansprechende thumbnails und titel für deine videos schritt 2 veröffentliche regelmäßig qualitativ

[mit youtube geld verdienen anleitung praxis tipps](#) - Apr 17 2023

web oct 26 2023 schritt für schritt anleitung um mit youtube geld zu verdienen um geld mit youtube verdienen zu können benötigst du als erstes ein google konto mit deinem google konto kannst du ein youtube konto erstellen und deinen kanal anlegen ein eigener youtube kanal ist grundvoraussetzung