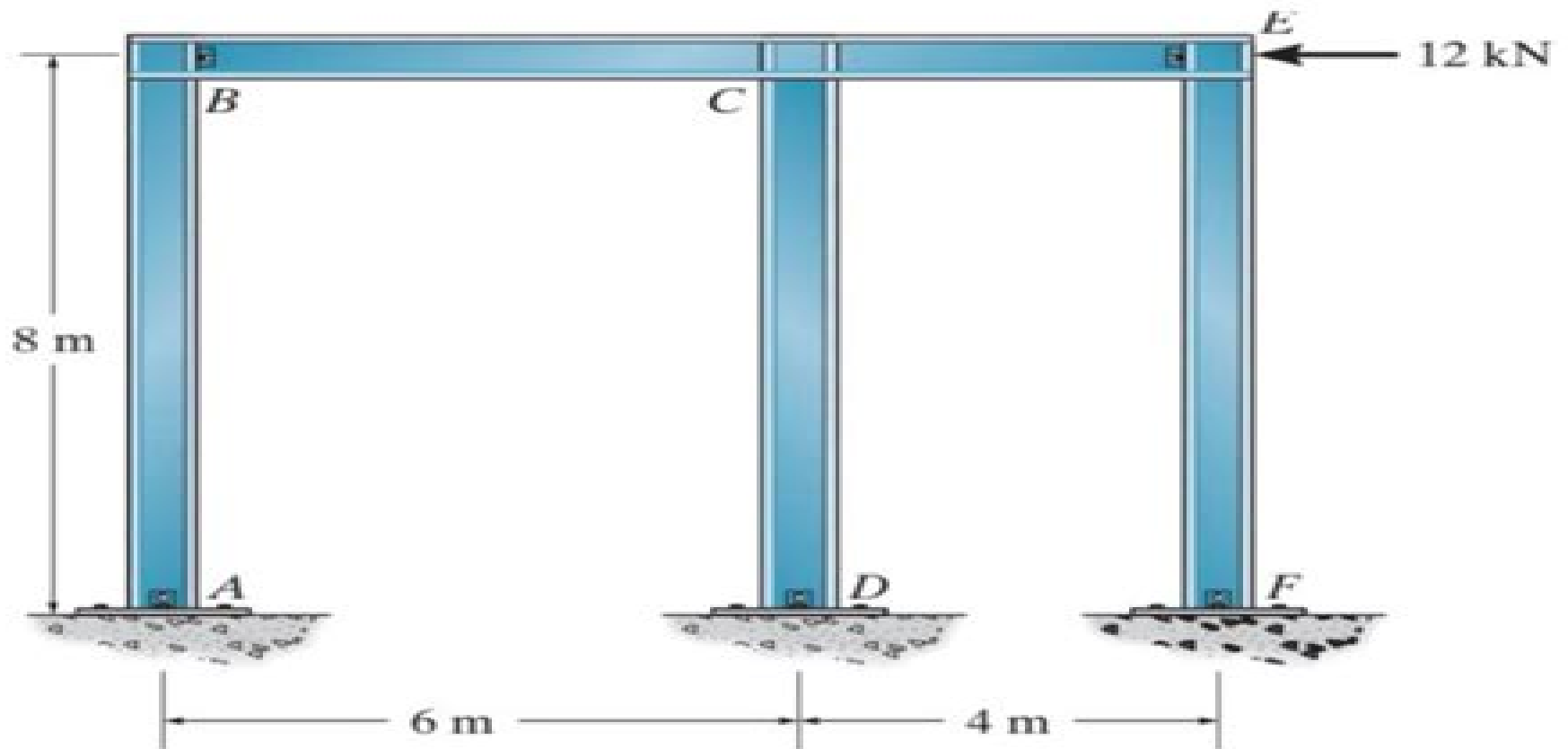


SOLVE USING MOMENT DISTRIBUTION METHOD, frames with sidesway



Prob. 11-24

Moment Distribution Method Study

**University of Colorado (Boulder
campus)**



Moment Distribution Method Study:

2024-25 RRB JE Civil & Allied Engineering Study Material YCT Expert Team , 2024 25 RRB JE Civil Allied Engineering Study Material 672 1395 E This book contains study material and 2302 objective question bank *Fundamental Structural Analysis* W. SPENCER,2013-11-09 Significant changes have occurred in the approach to structural analysis over the last twenty years These changes have been brought about by a more general understanding of the nature of the problem and the development of the digital computer Almost all structural engineering offices throughout the world would now have access to some form of digital computer ranging from hand held programmable calculators through to the largest machines available Powerful microcomputers are also widely available and many engineers and students have personal computers as a general aid to their work Problems in structural analysis have now been formulated in such a way that the solution is available through the use of the computer largely by what is known as matrix methods of structural analysis It is interesting to note that such methods do not put forward new theories in structural analysis rather they are a restatement of classical theory in a manner that can be directly related to the computer This book begins with the premise that most structural analysis will be done on a computer This is not to say that a fundamental understanding of structural behaviour is not presented or that only computer based techniques are given Indeed the reverse is true Understanding structural behaviour is an underlying theme and many solution techniques suitable for hand computation such as moment distribution are retained The most widely used method of computer based structural analysis is the matrix stiffness method Structural Analysis Exam Study Guide cybellium,2024-10-26 Designed for professionals students and enthusiasts alike our comprehensive books empower you to stay ahead in a rapidly evolving digital world Expert Insights Our books provide deep actionable insights that bridge the gap between theory and practical application Up to Date Content Stay current with the latest advancements trends and best practices in IT AI Cybersecurity Business Economics and Science Each guide is regularly updated to reflect the newest developments and challenges Comprehensive Coverage Whether you are a beginner or an advanced learner Cybellium books cover a wide range of topics from foundational principles to specialized knowledge tailored to your level of expertise Become part of a global network of learners and professionals who trust Cybellium to guide their educational journey www.cybellium.com *Distribution of Wheel Loads on Timber Bridges* Erwin Carl Olaf Erickson,K. M. Romstad,1968 **Advanced Study on the Moment Distribution Method and Its Application to Sidesway Problems** Cheng-Liang Wang,1963 Abstracts of Theses for Higher Degrees University of Colorado (Boulder campus),1929 Calcutta Review ,1921 *Announcement of Courses* Stanford University,1948 Research in Progress North Carolina State University. Graduate School,1929 Engineering Extension Bulletin ,1919 Steel Buildings Stanley W. Crawley,Robert M. Dillon,1993 This volume presents the general principles of structural analysis and their application to the design of low and intermediate height building frames The text is accompanied by software for the analysis of axial forces

displacement and the bending moment and the determination of shear **Engineering Experiment Station Circular** Ohio State University, Columbus. Engineering Experiment Station,1919 **Proceedings of the ... Annual Convention Held at ... American Concrete Institute. Annual Convention,American Concrete Institute,1929** *Research in Progress* University of North Carolina (1793-1962),1930 *Engineering Experiment Station Circular* Ohio State University. Engineering Experiment Station,1928 Studies in the History of Statistical Method Helen Mary Walker,1929 **Proceedings of the ... Annual Convention of the American Railway Engineering Association** American Railway Engineering Association,1930 List of members in v 1 10 Indian Science Abstracts ,1977 **Storage Batteries** Charles Allen Wright,1919 *Engineering News-record* ,1936-07

Immerse yourself in the artistry of words with is expressive creation, Discover the Artistry of **Moment Distribution Method Study** . This ebook, presented in a PDF format (*), is a masterpiece that goes beyond conventional storytelling. Indulge your senses in prose, poetry, and knowledge. Download now to let the beauty of literature and artistry envelop your mind in a unique and expressive way.

https://py.bijouxmedusa.com/files/detail/Download_PDFS/Schema_Impianto_Elettrico_Fiat_124_Spider.pdf

Table of Contents Moment Distribution Method Study

1. Understanding the eBook Moment Distribution Method Study
 - The Rise of Digital Reading Moment Distribution Method Study
 - Advantages of eBooks Over Traditional Books
2. Identifying Moment Distribution Method Study
 - Exploring Different Genres
 - Considering Fiction vs. Non-Fiction
 - Determining Your Reading Goals
3. Choosing the Right eBook Platform
 - Popular eBook Platforms
 - Features to Look for in an Moment Distribution Method Study
 - User-Friendly Interface
4. Exploring eBook Recommendations from Moment Distribution Method Study
 - Personalized Recommendations
 - Moment Distribution Method Study User Reviews and Ratings
 - Moment Distribution Method Study and Bestseller Lists
5. Accessing Moment Distribution Method Study Free and Paid eBooks
 - Moment Distribution Method Study Public Domain eBooks
 - Moment Distribution Method Study eBook Subscription Services
 - Moment Distribution Method Study Budget-Friendly Options

6. Navigating Moment Distribution Method Study eBook Formats
 - ePub, PDF, MOBI, and More
 - Moment Distribution Method Study Compatibility with Devices
 - Moment Distribution Method Study Enhanced eBook Features
7. Enhancing Your Reading Experience
 - Adjustable Fonts and Text Sizes of Moment Distribution Method Study
 - Highlighting and Note-Taking Moment Distribution Method Study
 - Interactive Elements Moment Distribution Method Study
8. Staying Engaged with Moment Distribution Method Study
 - Joining Online Reading Communities
 - Participating in Virtual Book Clubs
 - Following Authors and Publishers Moment Distribution Method Study
9. Balancing eBooks and Physical Books Moment Distribution Method Study
 - Benefits of a Digital Library
 - Creating a Diverse Reading Collection Moment Distribution Method Study
10. Overcoming Reading Challenges
 - Dealing with Digital Eye Strain
 - Minimizing Distractions
 - Managing Screen Time
11. Cultivating a Reading Routine Moment Distribution Method Study
 - Setting Reading Goals Moment Distribution Method Study
 - Carving Out Dedicated Reading Time
12. Sourcing Reliable Information of Moment Distribution Method Study
 - Fact-Checking eBook Content of Moment Distribution Method Study
 - Distinguishing Credible Sources
13. Promoting Lifelong Learning
 - Utilizing eBooks for Skill Development
 - Exploring Educational eBooks
14. Embracing eBook Trends
 - Integration of Multimedia Elements

- Interactive and Gamified eBooks

Moment Distribution Method Study Introduction

Moment Distribution Method Study Offers over 60,000 free eBooks, including many classics that are in the public domain. Open Library: Provides access to over 1 million free eBooks, including classic literature and contemporary works. Moment Distribution Method Study Offers a vast collection of books, some of which are available for free as PDF downloads, particularly older books in the public domain. Moment Distribution Method Study : This website hosts a vast collection of scientific articles, books, and textbooks. While it operates in a legal gray area due to copyright issues, its a popular resource for finding various publications. Internet Archive for Moment Distribution Method Study : Has an extensive collection of digital content, including books, articles, videos, and more. It has a massive library of free downloadable books. Free-eBooks Moment Distribution Method Study Offers a diverse range of free eBooks across various genres. Moment Distribution Method Study Focuses mainly on educational books, textbooks, and business books. It offers free PDF downloads for educational purposes. Moment Distribution Method Study Provides a large selection of free eBooks in different genres, which are available for download in various formats, including PDF. Finding specific Moment Distribution Method Study, especially related to Moment Distribution Method Study, might be challenging as theyre often artistic creations rather than practical blueprints. However, you can explore the following steps to search for or create your own Online Searches: Look for websites, forums, or blogs dedicated to Moment Distribution Method Study, Sometimes enthusiasts share their designs or concepts in PDF format. Books and Magazines Some Moment Distribution Method Study books or magazines might include. Look for these in online stores or libraries. Remember that while Moment Distribution Method Study, sharing copyrighted material without permission is not legal. Always ensure youre either creating your own or obtaining them from legitimate sources that allow sharing and downloading. Library Check if your local library offers eBook lending services. Many libraries have digital catalogs where you can borrow Moment Distribution Method Study eBooks for free, including popular titles. Online Retailers: Websites like Amazon, Google Books, or Apple Books often sell eBooks. Sometimes, authors or publishers offer promotions or free periods for certain books. Authors Website Occasionally, authors provide excerpts or short stories for free on their websites. While this might not be the Moment Distribution Method Study full book , it can give you a taste of the authors writing style. Subscription Services Platforms like Kindle Unlimited or Scribd offer subscription-based access to a wide range of Moment Distribution Method Study eBooks, including some popular titles.

FAQs About Moment Distribution Method Study Books

1. Where can I buy Moment Distribution Method Study books? Bookstores: Physical bookstores like Barnes & Noble, Waterstones, and independent local stores. Online Retailers: Amazon, Book Depository, and various online bookstores offer a wide range of books in physical and digital formats.
2. What are the different book formats available? Hardcover: Sturdy and durable, usually more expensive. Paperback: Cheaper, lighter, and more portable than hardcovers. E-books: Digital books available for e-readers like Kindle or software like Apple Books, Kindle, and Google Play Books.
3. How do I choose a Moment Distribution Method Study book to read? Genres: Consider the genre you enjoy (fiction, non-fiction, mystery, sci-fi, etc.). Recommendations: Ask friends, join book clubs, or explore online reviews and recommendations. Author: If you like a particular author, you might enjoy more of their work.
4. How do I take care of Moment Distribution Method Study books? Storage: Keep them away from direct sunlight and in a dry environment. Handling: Avoid folding pages, use bookmarks, and handle them with clean hands. Cleaning: Gently dust the covers and pages occasionally.
5. Can I borrow books without buying them? Public Libraries: Local libraries offer a wide range of books for borrowing. Book Swaps: Community book exchanges or online platforms where people exchange books.
6. How can I track my reading progress or manage my book collection? Book Tracking Apps: Goodreads, LibraryThing, and Book Catalogue are popular apps for tracking your reading progress and managing book collections. Spreadsheets: You can create your own spreadsheet to track books read, ratings, and other details.
7. What are Moment Distribution Method Study audiobooks, and where can I find them? Audiobooks: Audio recordings of books, perfect for listening while commuting or multitasking. Platforms: Audible, LibriVox, and Google Play Books offer a wide selection of audiobooks.
8. How do I support authors or the book industry? Buy Books: Purchase books from authors or independent bookstores. Reviews: Leave reviews on platforms like Goodreads or Amazon. Promotion: Share your favorite books on social media or recommend them to friends.
9. Are there book clubs or reading communities I can join? Local Clubs: Check for local book clubs in libraries or community centers. Online Communities: Platforms like Goodreads have virtual book clubs and discussion groups.
10. Can I read Moment Distribution Method Study books for free? Public Domain Books: Many classic books are available for free as they're in the public domain. Free E-books: Some websites offer free e-books legally, like Project Gutenberg or Open Library.

Find Moment Distribution Method Study :

~~schema impianto elettrico fiat 124 spider~~

~~secrets of success dale carnegie pdf fmpweb~~

~~sharp led tv service manual marseurftales wordpress~~

~~security analysis benjamin graham~~

~~seo proposal benedict~~

~~shoot volume 1 37 tsukasa oshima~~

~~self righteousness the bible a book of truth~~

~~shigley mechanical engineering design metric edition~~

school of economics mathematics and statistics

~~sewing to sell the beginner s guide to starting a craft business bonus 16 starter projects how to sell locally online virginia~~

~~lindsay~~

~~section 11 2 speed and velocity wikispaces~~

shona bhaibheri dzvene

shooting kabul by n h senzai

~~schaums outline programming fortran series ralife~~

~~scalextric a race through time the 50th anniversary book from the makers of the world famous electric car racing game~~

Moment Distribution Method Study :

Lateral Thinking: A Textbook of Creativity Lateral thinking is all about freeing up your imagination. Through a series of special techniques, in groups or working alone, Edward de Bono shows us how to ... Lateral Thinking: Creativity Step by Step - Amazon.com Where vertical thinking seeks to find one answer, lateral thinking aims to find as many alternatives as possible, no matter how silly the alternatives may ... Lateral Thinking by Edward de Bono According to Bono, lateral thinking is creative and relies on 'thinking in an explorative manner to find different possibilities'. Vertical thinking is ... Lateral Thinking by E de Bono · Cited by 2964 — A Textbook of Creativity. Penguin Books. Page 2. ABC Amber ePub Converter Trial ... Lateral thinking is closely related to creativity. But whereas creativity is. Is Edward de Bono's Lateral Thinking worth a read? May 18, 2013 — His proposition is that it is possible to learn how to think. He has authored many books about creativity. Lateral Thinking By Edward De Bono 37.epub In his book Lateral Thinking: A Textbook of Creativity, de Bono explains the theory and practice of lateral thinking, and provides a series of techniques and ... Lateral Thinking: A Textbook

of Creativity - Edward de Bono THE classic work about improving creativity from world-renowned writer and philosopher Edward de Bono. In schools we are taught to meet problems head-on: ... LATERAL THINKING A Textbook of Creativity New York: Harper & Row, 1970. 1st U.S. Edition; First Printing. Hardcover. Item #169317 ISBN: 0060110074 Very Good+ in a Very Good+ dust jacket. ; 9.3 X 6.4 ... List of books by author Edward de Bono Looking for books by Edward de Bono? See all books authored by Edward de Bono, including Six Thinking Hats, and Lateral Thinking: A Textbook of Creativity, ...

Veterinary Microbiology and Microbial Disease, 2nd Edition Veterinary Microbiology and Microbial Disease, 2nd Edition · + E-Book Starting at just \$102.00 · - Print Starting at just \$126.95. Veterinary Microbiology and Microbial Disease Veterinary Microbiology and Microbial Disease remains indispensable for all those studying and teaching this essential component of the veterinary curriculum. Veterinary Microbiology and Microbial Disease This is a core textbook covering every aspect of veterinary microbiology for students in both paraclinical and clinical years. The clinical applications to farm ... Veterinary Microbiology and Microbial Disease - PMC by JF Prescott · 2003 · Cited by 7 — This book is an introductory text in veterinary microbiology and microbial disease for veterinary undergraduates, written by faculty members at University ... Veterinary Microbiology and Microbial Disease Microbiology is one of the core subjects for veterinary students, and since its first publication in 2002, Veterinary Microbiology and Microbial Disease has ... Veterinary Microbiology and Microbial Disease (Hardcover) Sep 26, 2023 — Veterinary microbiology refers to a field of study that is primarily focused on the microbes that cause diseases in animals. It studies the ... Veterinary Microbiology and Microbial Disease, 2nd Edition Veterinary Microbiology and Microbial Disease, 2nd Edition by P. J. Quinn, B. K. Markey, F. C. Leonard, P. Hartigan, S. Veterinary Microbiology and Microbial Disease - Quinn, P. J. Microbiology is one of the core subjects for veterinary students, and since its first publication in 2002, Veterinary Microbiology and Microbial Disease has ... Veterinary Microbiology and Microbial Disease - 2nd ... "Veterinary Microbiology is one of the core subjects for veterinary students. Fully revised and expanded, this new edition covers every aspect of veterinary ... Veterinary Microbiology - Elsevier Health Veterinary Microbiology is concerned with bacterial and viral diseases of domesticated vertebrate animals (livestock, companion animals, fur-bearing animals ... Chapter 1 Electrical systems Two Stroke Auto engines May 2, 2003 — H@K / GSM Wiring Diagram. 4. Vespa PX Ignition / Charging. 5. Vespa PX ... Gilera GSM / H@K 50. 2 str. Synthetic 2 stroke API TC or higher. - 6 ... H@K & GSM Charging / Ignition - Vespa Forum Jul 4, 2002 — To check the choke circuit. Refer to diagram 2. 1. Follow wire from the choke unit until you find a grey two pin plug and socket. Unplug. Battery-Relais - gilera GSM MY 2001 You can find here the Gilera GSM M.Y. 2001 Electrical system » Battery-Relais exploded view and spare parts list. H@K & GSM Charging / Ignition + 1 Apr 23, 2002 — Gilera engine. H@K & GSM Charging / Ignition. BATTERY. 12v. +. IGNITION ... Brown wire = supply for DC (battery circuit). Yellow wire = supply for ... Gilera SMT RCR servicemanual - Disconnect the electrical connections and re- move the switch/lock unit. Conceptual diagrams. Ignition. KEY. 1. Electronic ignition device. 2. Spark plug. 4 ...

Headlamps and turn signal lamps - gilera You can find here the Gilera GSM M.Y. 2001 Electrical system » Headlamps and turn signal lamps exploded view and spare parts list. Gilera GSM 50 Disassembly (Pure Nostalgia) Gilera GSM 50 Disassembly (Pure Nostalgia). 2.1K views · Streamed 3 years ago THAT SCOOTER SHOP ...more. That Scooter Thing. 20.8K. Gilera GSM model > oem-parts.hu You can find here the list of the Gilera GSM exploded drawings. Choose the part of the bike and find all the parts what you need! GILERA GSM Gilera SMT 50 GPS Top Speed Acceleration test. Antilaakeri · 14K views ; How To Understand a Wiring Diagram. Built at Blackjack's · 76K views ; I ...