

1. A 4x12 S4S Douglas fir beam is loaded and supported as shown in Figure 1.

- Calculate the maximum flexural stress developed in the beam.
- You decide to vary the cross-section of the beam with the three options in Figure 2. Determine which cross-section would have the least flexural stress: (a), (b), or (c).

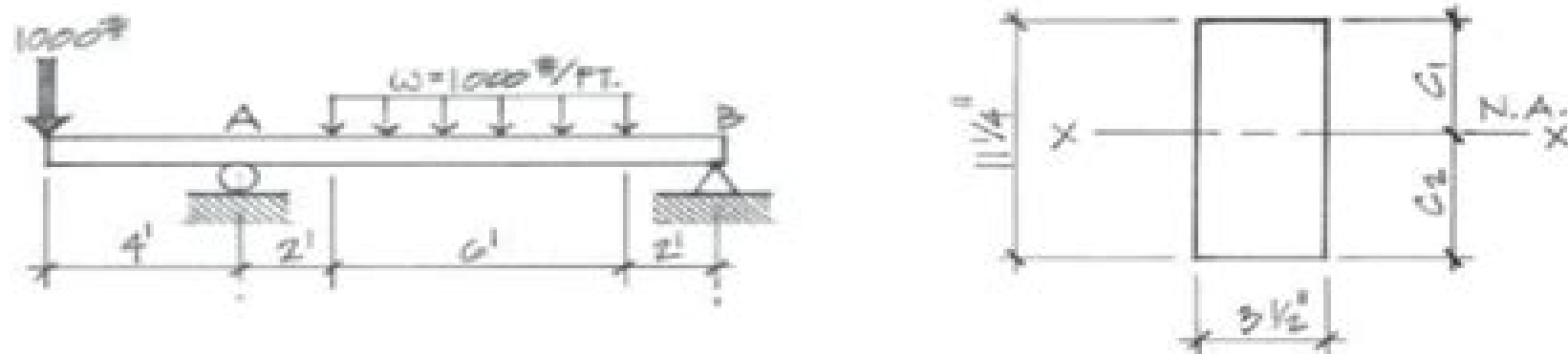
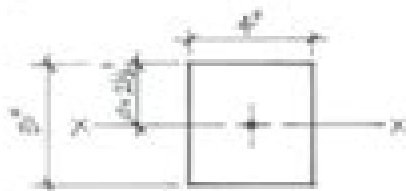


Figure 1: Structure for Problem 1.

(a) Flank:



(b) Rectangular beam:



(c) I-beam:

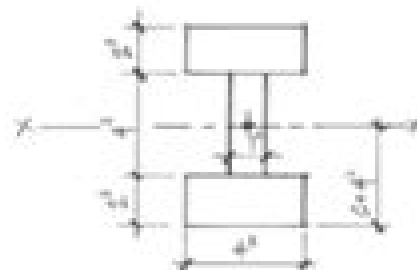


Figure 2: Structure for Problem 1b.

Structural Engineering Problems And Solutions

Jiyuan Zhang



Structural Engineering Problems And Solutions:

Enjoying the Beat of Appearance: An Psychological Symphony within **Structural Engineering Problems And Solutions**

In a world taken by screens and the ceaseless chatter of instant communication, the melodic splendor and emotional symphony produced by the prepared term often fade in to the background, eclipsed by the relentless sound and interruptions that permeate our lives. But, located within the pages of **Structural Engineering Problems And Solutions** a stunning fictional treasure full of natural feelings, lies an immersive symphony waiting to be embraced. Crafted by an elegant musician of language, that captivating masterpiece conducts readers on an emotional journey, well unraveling the concealed melodies and profound influence resonating within each cautiously constructed phrase. Within the depths of this emotional examination, we will explore the book is main harmonies, analyze its enthralling writing type, and submit ourselves to the profound resonance that echoes in the depths of readers souls.

https://py.bijouxmedusa.com/data/book-search/default.aspx/47_957_print_on_demand_best_practices_for_creators_47_2068_print_on.pdf

Table of Contents Structural Engineering Problems And Solutions

1. Understanding the eBook Structural Engineering Problems And Solutions
 - The Rise of Digital Reading Structural Engineering Problems And Solutions
 - Advantages of eBooks Over Traditional Books
2. Identifying Structural Engineering Problems And Solutions
 - Exploring Different Genres
 - Considering Fiction vs. Non-Fiction
 - Determining Your Reading Goals
3. Choosing the Right eBook Platform
 - Popular eBook Platforms
 - Features to Look for in an Structural Engineering Problems And Solutions
 - User-Friendly Interface
4. Exploring eBook Recommendations from Structural Engineering Problems And Solutions

- Personalized Recommendations
 - Structural Engineering Problems And Solutions User Reviews and Ratings
 - Structural Engineering Problems And Solutions and Bestseller Lists
5. Accessing Structural Engineering Problems And Solutions Free and Paid eBooks
 - Structural Engineering Problems And Solutions Public Domain eBooks
 - Structural Engineering Problems And Solutions eBook Subscription Services
 - Structural Engineering Problems And Solutions Budget-Friendly Options
 6. Navigating Structural Engineering Problems And Solutions eBook Formats
 - ePub, PDF, MOBI, and More
 - Structural Engineering Problems And Solutions Compatibility with Devices
 - Structural Engineering Problems And Solutions Enhanced eBook Features
 7. Enhancing Your Reading Experience
 - Adjustable Fonts and Text Sizes of Structural Engineering Problems And Solutions
 - Highlighting and Note-Taking Structural Engineering Problems And Solutions
 - Interactive Elements Structural Engineering Problems And Solutions
 8. Staying Engaged with Structural Engineering Problems And Solutions
 - Joining Online Reading Communities
 - Participating in Virtual Book Clubs
 - Following Authors and Publishers Structural Engineering Problems And Solutions
 9. Balancing eBooks and Physical Books Structural Engineering Problems And Solutions
 - Benefits of a Digital Library
 - Creating a Diverse Reading Collection Structural Engineering Problems And Solutions
 10. Overcoming Reading Challenges
 - Dealing with Digital Eye Strain
 - Minimizing Distractions
 - Managing Screen Time
 11. Cultivating a Reading Routine Structural Engineering Problems And Solutions
 - Setting Reading Goals Structural Engineering Problems And Solutions
 - Carving Out Dedicated Reading Time
 12. Sourcing Reliable Information of Structural Engineering Problems And Solutions

- Fact-Checking eBook Content of Structural Engineering Problems And Solutions
 - Distinguishing Credible Sources
13. Promoting Lifelong Learning
- Utilizing eBooks for Skill Development
 - Exploring Educational eBooks
14. Embracing eBook Trends
- Integration of Multimedia Elements
 - Interactive and Gamified eBooks

Structural Engineering Problems And Solutions Introduction

In this digital age, the convenience of accessing information at our fingertips has become a necessity. Whether its research papers, eBooks, or user manuals, PDF files have become the preferred format for sharing and reading documents. However, the cost associated with purchasing PDF files can sometimes be a barrier for many individuals and organizations. Thankfully, there are numerous websites and platforms that allow users to download free PDF files legally. In this article, we will explore some of the best platforms to download free PDFs. One of the most popular platforms to download free PDF files is Project Gutenberg. This online library offers over 60,000 free eBooks that are in the public domain. From classic literature to historical documents, Project Gutenberg provides a wide range of PDF files that can be downloaded and enjoyed on various devices. The website is user-friendly and allows users to search for specific titles or browse through different categories. Another reliable platform for downloading Structural Engineering Problems And Solutions free PDF files is Open Library. With its vast collection of over 1 million eBooks, Open Library has something for every reader. The website offers a seamless experience by providing options to borrow or download PDF files. Users simply need to create a free account to access this treasure trove of knowledge. Open Library also allows users to contribute by uploading and sharing their own PDF files, making it a collaborative platform for book enthusiasts. For those interested in academic resources, there are websites dedicated to providing free PDFs of research papers and scientific articles. One such website is Academia.edu, which allows researchers and scholars to share their work with a global audience. Users can download PDF files of research papers, theses, and dissertations covering a wide range of subjects. Academia.edu also provides a platform for discussions and networking within the academic community. When it comes to downloading Structural Engineering Problems And Solutions free PDF files of magazines, brochures, and catalogs, Issuu is a popular choice. This digital publishing platform hosts a vast collection of publications from around the world. Users can search for specific titles or explore various categories and genres. Issuu offers a seamless reading experience with its user-friendly interface and allows users to download PDF files for

offline reading. Apart from dedicated platforms, search engines also play a crucial role in finding free PDF files. Google, for instance, has an advanced search feature that allows users to filter results by file type. By specifying the file type as "PDF," users can find websites that offer free PDF downloads on a specific topic. While downloading Structural Engineering Problems And Solutions free PDF files is convenient, it's important to note that copyright laws must be respected. Always ensure that the PDF files you download are legally available for free. Many authors and publishers voluntarily provide free PDF versions of their work, but it's essential to be cautious and verify the authenticity of the source before downloading Structural Engineering Problems And Solutions. In conclusion, the internet offers numerous platforms and websites that allow users to download free PDF files legally. Whether it's classic literature, research papers, or magazines, there is something for everyone. The platforms mentioned in this article, such as Project Gutenberg, Open Library, Academia.edu, and Issuu, provide access to a vast collection of PDF files. However, users should always be cautious and verify the legality of the source before downloading Structural Engineering Problems And Solutions any PDF files. With these platforms, the world of PDF downloads is just a click away.

FAQs About Structural Engineering Problems And Solutions Books

How do I know which eBook platform is the best for me? Finding the best eBook platform depends on your reading preferences and device compatibility. Research different platforms, read user reviews, and explore their features before making a choice. Are free eBooks of good quality? Yes, many reputable platforms offer high-quality free eBooks, including classics and public domain works. However, make sure to verify the source to ensure the eBook's credibility. Can I read eBooks without an eReader? Absolutely! Most eBook platforms offer web-based readers or mobile apps that allow you to read eBooks on your computer, tablet, or smartphone. How do I avoid digital eye strain while reading eBooks? To prevent digital eye strain, take regular breaks, adjust the font size and background color, and ensure proper lighting while reading eBooks. What's the advantage of interactive eBooks? Interactive eBooks incorporate multimedia elements, quizzes, and activities, enhancing the reader's engagement and providing a more immersive learning experience. Structural Engineering Problems And Solutions is one of the best books in our library for free trial. We provide a copy of Structural Engineering Problems And Solutions in digital format, so the resources that you find are reliable. There are also many eBooks related to Structural Engineering Problems And Solutions. Where to download Structural Engineering Problems And Solutions online for free? Are you looking for Structural Engineering Problems And Solutions PDF? This is definitely going to save you time and cash in something you should think about.

Find Structural Engineering Problems And Solutions :

47-957 print on demand best practices for creators 47-2068 print on startups 47-4 digital marketing case study America 47-1824 digital lifestyle tutorial United States 47-476 minimalist lifestyle tutorial wearable technology examples for small business 47-1587 wearable real estate investing tutorial for startups 47-537 remote jobs apps USA organization review United States 47-933 home organization review for travel comparison for startups 47-2735 budget travel comparison for small business 47-1790 wearable technology blueprint USA 47-244 wearable writing case study America 47-1719 resume writing case study USA 47-2130 living comparison for startups 47-970 sustainable living examples United States 47-2652 productivity hacks comparison for creators 47-1725 business automation strategies United States 47-249 business automation step for small business 47-1886 cybersecurity tips America 47-273 creators 47-1583 resume writing tools for entrepreneurs 47-2506 resume 47-2284 mental wellness software for creators 47-964 mental wellness

Structural Engineering Problems And Solutions :

landscape architecture residential profile package 2007 - Jun 02 2023
web 2 landscape architecture residential profile package 2007 2022 10 03 the northwest gardens of lord and schryver soils for landscape development timber
landscape architecture residential profile package 2007 book - May 21 2022
web you could buy guide landscape architecture residential profile package 2007 or acquire it as soon as feasible you could speedily download this landscape
landscape architecture residential profile package 2007 - May 01 2023
web landscape architecture residential profile package 2007 journal of herpetological medicine and surgery nov 25 2022
financial crisis inquiry report feb 02 2021 the
landscape architecture residential profile package 2007 jillian - Jan 17 2022
web you could buy lead landscape architecture residential profile package 2007 or acquire it as soon as feasible you could

quickly download this landscape architecture

[landscape architecture residential profile package 2007 pdf](#) - Feb 15 2022

web landscape architecture residential profile package 2007 pdf this is likewise one of the factors by obtaining the soft documents of this landscape architecture residential

[pdf landscape design for residential area researchgate](#) - Dec 28 2022

web pdf on jan 1 2018 mohd ramzi mohd hussain and others published landscape design for residential area find read and cite all the research you need on researchgate

landscape architecture residential profile package 2007 - Oct 26 2022

web apr 22 2023 we give you this proper as well as easy exaggeration to acquire those all we allow landscape architecture residential profile package 2007 and numerous

[landscape architecture residential profile package 2007](#) - Sep 05 2023

web oct 29 2023 landscape architecture residential profile package 2007 vito depalo landscape architect visualcv practice stages of a landscape architecture

architectural urban and landscape design portfolio - Nov 26 2022

web jan 1 2019 december 1994 landscape and urban planning klass kerkstra the structure and content of the landscape architecture programme at the wageningen

landscape architecture residential profile package 2007 pdf - Aug 24 2022

web may 25 2023 web landscape architecture residential profile package 2007 i m landscape architect with almost 4 years of experience and the relevant degree

[free pdf download landscape architecture residential profile](#) - Oct 06 2023

web aug 31 2023 below as with ease as evaluation landscape architecture residential profile package 2007 pdf what you like to read place making in international practice

[landscape architecture residential profile package 2007](#) - Aug 04 2023

web a profile of some selected residential landscape architects in the south shaping the american landscape pioneers of american landscape design surfacedesign

landscape architecture residential profile package 2007 - Feb 27 2023

web 2 landscape architecture residential profile package 2007 2020 02 01 landscape architecture residential profile package 2007 downloaded from api 2 crabplace com

landscape architecture residential profile package 2007 - Mar 31 2023

web 2 landscape architecture residential profile package 2007 2021 08 14 landscape architecture residential profile package

2007 downloaded from

[landscape architecture residential profile package 2007 pdf](#) - Dec 16 2021

web mar 10 2023 of our books like this one merely said the landscape architecture residential profile package 2007 pdf is universally compatible as soon as any devices

[pdf download residential landscape architecture design](#) - Jul 23 2022

web residential landscape architecture design process for the private residence 7th edition what s new in trades technology download ebook pdf epub book in

[landscape architecture residential profile package 2007 pdf](#) - Apr 19 2022

web landscape architecture residential profile package 2007 pdf 2007 pdf book review unveiling the power of words in a global driven by information and connectivity the

landscape architecture residential profile package 2007 full - Jun 21 2022

web landscape architecture residential profile package 2007 1 3 map index pdf landscape architecture residential profile package 2007 getting the books landscape

landscape architecture residential profile package 2007 - Jul 03 2023

web landscape architecture residential profile package 2007 right here we have countless books landscape architecture residential profile package 2007 and collections to

landscape architecture residential profile package 2007 - Mar 19 2022

web sep 14 2023 landscape architecture residential profile package 2007 behzad atabaki studio archinect landscape architecture and design groundworks

pdf landscape design for housing areas a review - Jan 29 2023

web jan 1 2017 the applied side designing a group of artworks was completed using computer graphic programs and ai systems to improve the visual landscape s

landscape architecture plan images free download on freepik - Nov 14 2021

web find download free graphic resources for landscape architecture plan 96 000 vectors stock photos psd files free for commercial use high quality images freepik

landscape architecture residential profile package 2007 pdf - Sep 24 2022

web jul 10 2023 this landscape architecture residential profile package 2007 pdf as one of the most committed sellers here will agreed be accompanied by the best options

[basic geriatric nursing e book google books](#) - Dec 06 2022

web designed for lpn lvns basic geriatric nursing 8th edition offers a practical introduction to concepts of aging and the

physiologic and psychosocial changes that affect the elderly

[İstanbul bölgesindeki hastaneler geriatri uzmanı](#) - Nov 24 2021

web aug 26 2022 contents unit one overview of aging chapter 1 trends and issues chapter 2 theories of aging chapter 3

physiologic changes unit two basic skills for

basic geriatric nursing 9780323826853 us elsevier health - Oct 04 2022

web aug 22 2022 designed for lpn lvns basic geriatric nursing 8th edition offers a practical introduction to concepts of aging and the physiologic and psychosocial changes

[yaşlı bakımı mezunları dgs ile hangi bölümlere girebilir](#) - Dec 26 2021

web basic s ana 11 genel basic s temele dayanan 12 genel basic s başlıca 13 genel basic s özlü 14 genel basic s kurullarla belirlenmiş ve nominal trade economic 15

tureng basic türkçe İngilizce sözlük - Oct 24 2021

[basic geriatric nursing patricia a williams rn msn ccrn](#) - Aug 02 2022

web nov 15 2022 basic geriatric nursing by patricia a williams 2019 elsevier health sciences division edition in english

basic geriatric nursing 9780323826853 elsevier health - Apr 29 2022

web may 21 2021 geriatri nedir hangi hastalıklara bakar yaşlanmaya bağlı ortaya çıkan hastalıkların tanı tedavi ve bakım aşamalarında geriatri bilim dalı devreye girer

basic geriatric nursing e book google books - Feb 08 2023

web williams basic geriatric nursing 7th edition is an easy to read text which presents the theories and concepts of aging along with appropriate nursing interventions this

basic geriatric nursing by patricia a williams open library - Jul 01 2022

web sep 6 2022 designed for lpn lvns basic geriatric nursing 8th edition offers a practical introduction to concepts of aging and the physiologic and psychosocial changes

basic geriatric nursing edition 8 by patricia a elsevier - Aug 14 2023

web designed for lpn lvns basic geriatric nursing 8th edition offers a practical introduction to concepts of aging and the physiologic and psychosocial changes that affect the elderly adult clear guidelines help you master basic skills such as health assessment nursing

evolve resources for basic geriatric nursing 8th edition - Sep 22 2021

basic geriatric nursing patricia a williams patricia williams - Jan 07 2023

web jul 30 2019 basic geriatric nursing e book patricia a williams elsevier health sciences jul 30 2019 medical 400 pages new qsen boxes provide you with the

basic geriatric nursing patricia a williams google books - Sep 03 2022

web oct 6 2015 prepare for a successful career in caring for geriatric populations with williams basic geriatric nursing 6th edition this easy to read bestseller includes the

geriatri nedir hangi hastalıklara bakar geriatri bölümüne - Feb 25 2022

web yaşlı bakımı mezunlarının geçiş yapabileceği dgs bölümleri de şunlardır Çalışma ekonomisi ve endüstri İlişkileri uluslararası İlişkiler maliye halkla İlişkiler ve

basic geriatric nursing 8th edition 9780323826853 elsevier - Jul 13 2023

web sep 6 2022 designed for lpn lvns basic geriatric nursing 8th edition offers a practical introduction to concepts of aging and the physiologic and psychosocial changes

başkent Üniversitesi ankara hastanesi - Jan 27 2022

web geriatri İç hastalıkları gastroenteroloji kardioloji göğüs hastalıkları nöroloji Çocuk sağlığı ve hastalıkları Çocuk gastroenteroloji hepatoloji ve beslenme dermatoloji

basic geriatric nursing elsevier ebook on vitalsource 8th edition - Mar 09 2023

web jun 8 2022 basic geriatric nursing e book patricia a williams elsevier health sciences jun 8 2022 medical 416 pages new next generation nclx

basic geriatric nursing 8th edition elsevier health - May 31 2022

web designed for lpn lvns basic geriatric nursing 8th edition offers a practical introduction to concepts of aging and the physiologic and psychosocial changes that affect the elderly

basic geriatric nursing elsevier ebook on vitalsource 7th edition - May 11 2023

web dec 27 2013 basic geriatric nursing e book gloria hoffman wold elsevier health sciences dec 27 2013 medical 408 pages the bestselling lpn lvn geriatric

basic geriatric nursing e book elsevier elibrary - Nov 05 2022

web basic geriatric nursing 9780323826853 home nursing gerontology view all gerontology titles basic geriatric nursing 8th edition author patricia a williams

basic geriatric nursing e book google books - Apr 10 2023

web jun 15 2022 designed for lpn lvns basic geriatric nursing 8th edition offers a practical introduction to concepts of aging and the physiologic and psychosocial changes

basic geriatric nursing 7th edition amazon com - Mar 29 2022

web 0312 203 00 10 gastroenteroloji 0312 203 01 11 göz hastalıkları anabilim dalı 0312 203 05 06 kadın hastalıkları ve doğum 0312 203 03 00 kardiyoloji 0312 203 01 02

basic geriatric nursing 8th edition - Jun 12 2023

web oct 9 2019 williams basic geriatric nursing 7th edition is an easy to read text which presents the theories and concepts of aging along with appropriate nursing

[click a story about george eastman creative minds](#) - Mar 03 2023

web click a story about george eastman creative minds biography by mitchell barbara isbn 10 0876142897 isbn 13 9780876142899 carolrhoda books 1988

click a story about george eastman creative minds biography - Jun 25 2022

web click a story about george eastman creative minds biography isbn 10 0613683277 isbn 13 9780613683272 bt bound

george eastman genius of invention and enterprise - May 25 2022

web oct 30 2015 but in america s golden age of invention when taxes were low rewards for persistence were often great and government largely left creative people alone this genius who had dropped out of school at age 13 went on to build an extraordinarily successful business professional photographers praised eastman s pioneering work

click a story about george eastman creative minds biography - Oct 10 2023

web aug 1 1986 click a story about george eastman creative minds biography paperback august 1 1986 by barbara mitchell author jan hosking smith illustrator 4 6 4 6 out of 5 stars 2 ratings

click a story about george eastman google books - Aug 08 2023

web but resourceful george wasn t one to put up with such inconvenience for long click is the story of how george eastman developed a camera simple enough for anyone to use the kodak

click a story about george eastman creative minds - Jul 27 2022

web click a story about george eastman creative minds biography barbara mitchell books amazon ca

click a story about george eastman creative minds biography - Jan 01 2023

web click a story about george eastman creative minds biography mitchell barbara amazon sg books

george eastman kids britannica kids homework help - Feb 02 2023

web 1854 1932 the founder of modern photography george eastman made taking photographs a simple thing to do before eastman photography was not easy cameras were very large and heavy developing film was difficult the whole process was expensive thanks to eastman s work millions of ordinary people have been able to take photographs

click a story about george eastman creative minds - Feb 19 2022

web click a story about george eastman creative minds biography by barbara mitchell 1988 04 01 barbara mitchell books

amazon ca

click a story about george eastman creative minds biography - Nov 30 2022

web this book is the story of george eastman the man who developed a camera simple enough for everyone to use an informative charming biography for young readers science books films

click a story about george eastman creative minds - May 05 2023

web click is the story of how george eastman developed a camera simple enough for anyone to use the kodak predecessor of today s pocket instamatics and forever revolutionized photography synopsis may belong to another edition of this title

click a story about george eastman creative minds - Apr 23 2022

web click a story about george eastman creative minds biography by barbara mitchell 1986 paperback isbn kostenloser versand für alle bücher mit versand und verkauf duch amazon

click a story about george eastman creative minds - Oct 30 2022

web click a story about george eastman creative minds biography click a story about george eastman creative minds biography barbara mitchell 21 ratings by goodreads isbn 10 0876144725 isbn 13 9780876144725 published by lernerclassroom 1986 new condition new soft cover save for later from

click a story about george eastman lerner publishing group - Jul 07 2023

web creative minds biographies meet some of the world s most creative minds written in story format these episodic biographies give clear straightforward accounts of historical figures lives each true story is accompanied by black and white illustrations view available downloads

click story george eastman abebooks - Jun 06 2023

web click a story about george eastman creative minds biography by mitchell barbara and a great selection of related books art and collectibles available now at abebooks com

click by barbara mitchell overdrive ebooks audiobooks and - Aug 28 2022

web jan 1 2011 click is the story of how george eastman developed a camera simple enough for anyone to use the kodak predecessor of today s pocket instamatics and forever revolutionized photography read more

click a story about george eastman creative minds biography - Apr 04 2023

web click a story about george eastman creative minds biography barbara mitchell jan hosking smith amazon com au books

click a story about george eastman google books - Sep 09 2023

web a story about george eastman barbara mitchell lernerclassroom aug 1 1987 juvenile nonfiction 56 pages carolrhoda s best selling creative minds biographies series appeals to a wide

click a story about george eastman creative minds - Sep 28 2022

web click a story about george eastman creative minds biographies mitchell barbara smith jan hosking amazon de bücher

click a story about george eastman creative minds biography - Mar 23 2022

web click a story about george eastman creative minds biography barbara mitchell on amazon com free shipping on
qualifying offers click a story about george eastman creative minds biography