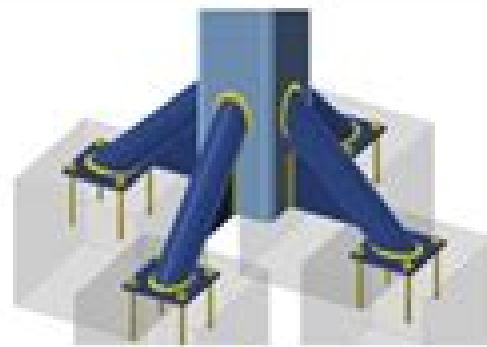


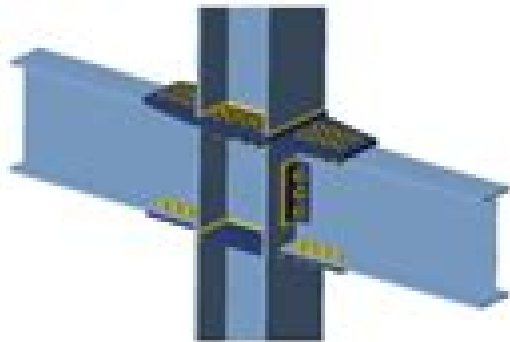
3D connections with braces and stiffeners



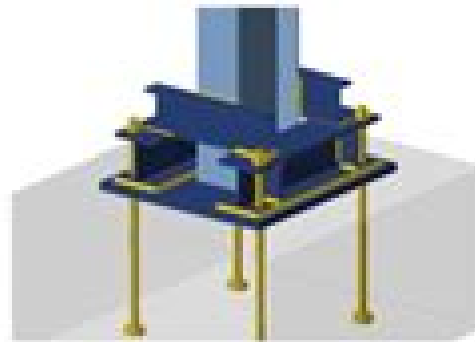
Heavy anchoring



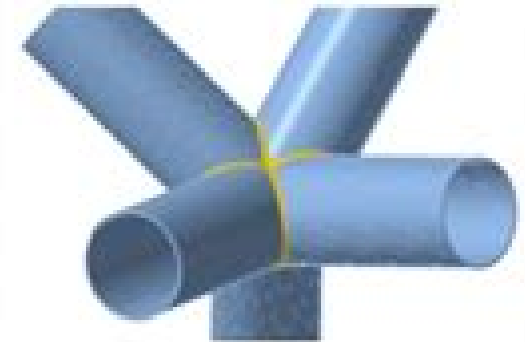
3D hollow section connections



Beam to column flange-bolted frame connections



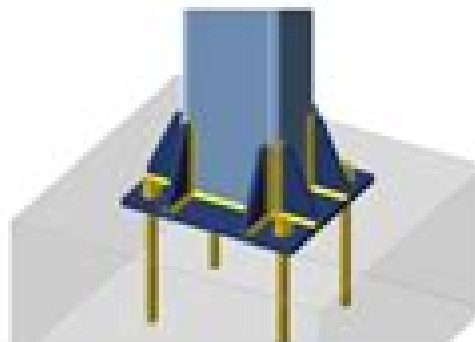
Frame moment footings



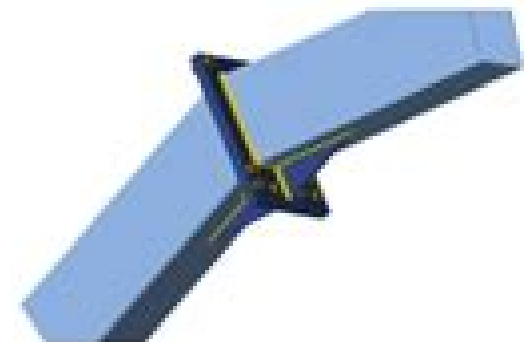
Spatial welded CHS connections



Bolted gusset plate truss connections



Column base plate connections



HSS splice connections

Download Design Connections Steel Composite Structures

LM Reder



Download Design Connections Steel Composite Structures:

The Enigmatic Realm of **Download Design Connections Steel Composite Structures**: Unleashing the Language is Inner Magic

In a fast-paced digital era where connections and knowledge intertwine, the enigmatic realm of language reveals its inherent magic. Its capacity to stir emotions, ignite contemplation, and catalyze profound transformations is nothing short of extraordinary. Within the captivating pages of **Download Design Connections Steel Composite Structures** a literary masterpiece penned by way of a renowned author, readers embark on a transformative journey, unlocking the secrets and untapped potential embedded within each word. In this evaluation, we shall explore the book's core themes, assess its distinct writing style, and delve into its lasting impact on the hearts and minds of people who partake in its reading experience.

https://py.bijouxmedusa.com/public/detail/Download_PDFS/statistical%20quality%20control%20by%20m%20mahajan%20download%20pdf%20ebooks%20about%20statistical%20quality%20control%20by%20m%20mahajan%20or%20read%20online.pdf

Table of Contents Download Design Connections Steel Composite Structures

1. Understanding the eBook Download Design Connections Steel Composite Structures
 - The Rise of Digital Reading Download Design Connections Steel Composite Structures
 - Advantages of eBooks Over Traditional Books
2. Identifying Download Design Connections Steel Composite Structures
 - Exploring Different Genres
 - Considering Fiction vs. Non-Fiction
 - Determining Your Reading Goals
3. Choosing the Right eBook Platform
 - Popular eBook Platforms
 - Features to Look for in an Download Design Connections Steel Composite Structures
 - User-Friendly Interface

4. Exploring eBook Recommendations from Download Design Connections Steel Composite Structures
 - Personalized Recommendations
 - Download Design Connections Steel Composite Structures User Reviews and Ratings
 - Download Design Connections Steel Composite Structures and Bestseller Lists
5. Accessing Download Design Connections Steel Composite Structures Free and Paid eBooks
 - Download Design Connections Steel Composite Structures Public Domain eBooks
 - Download Design Connections Steel Composite Structures eBook Subscription Services
 - Download Design Connections Steel Composite Structures Budget-Friendly Options
6. Navigating Download Design Connections Steel Composite Structures eBook Formats
 - ePub, PDF, MOBI, and More
 - Download Design Connections Steel Composite Structures Compatibility with Devices
 - Download Design Connections Steel Composite Structures Enhanced eBook Features
7. Enhancing Your Reading Experience
 - Adjustable Fonts and Text Sizes of Download Design Connections Steel Composite Structures
 - Highlighting and Note-Taking Download Design Connections Steel Composite Structures
 - Interactive Elements Download Design Connections Steel Composite Structures
8. Staying Engaged with Download Design Connections Steel Composite Structures
 - Joining Online Reading Communities
 - Participating in Virtual Book Clubs
 - Following Authors and Publishers Download Design Connections Steel Composite Structures
9. Balancing eBooks and Physical Books Download Design Connections Steel Composite Structures
 - Benefits of a Digital Library
 - Creating a Diverse Reading Collection Download Design Connections Steel Composite Structures
10. Overcoming Reading Challenges
 - Dealing with Digital Eye Strain
 - Minimizing Distractions
 - Managing Screen Time
11. Cultivating a Reading Routine Download Design Connections Steel Composite Structures
 - Setting Reading Goals Download Design Connections Steel Composite Structures
 - Carving Out Dedicated Reading Time

12. Sourcing Reliable Information of Download Design Connections Steel Composite Structures
 - Fact-Checking eBook Content of Download Design Connections Steel Composite Structures
 - Distinguishing Credible Sources
13. Promoting Lifelong Learning
 - Utilizing eBooks for Skill Development
 - Exploring Educational eBooks
14. Embracing eBook Trends
 - Integration of Multimedia Elements
 - Interactive and Gamified eBooks

Download Design Connections Steel Composite Structures Introduction

In the digital age, access to information has become easier than ever before. The ability to download Download Design Connections Steel Composite Structures has revolutionized the way we consume written content. Whether you are a student looking for course material, an avid reader searching for your next favorite book, or a professional seeking research papers, the option to download Download Design Connections Steel Composite Structures has opened up a world of possibilities. Downloading Download Design Connections Steel Composite Structures provides numerous advantages over physical copies of books and documents. Firstly, it is incredibly convenient. Gone are the days of carrying around heavy textbooks or bulky folders filled with papers. With the click of a button, you can gain immediate access to valuable resources on any device. This convenience allows for efficient studying, researching, and reading on the go. Moreover, the cost-effective nature of downloading Download Design Connections Steel Composite Structures has democratized knowledge. Traditional books and academic journals can be expensive, making it difficult for individuals with limited financial resources to access information. By offering free PDF downloads, publishers and authors are enabling a wider audience to benefit from their work. This inclusivity promotes equal opportunities for learning and personal growth. There are numerous websites and platforms where individuals can download Download Design Connections Steel Composite Structures. These websites range from academic databases offering research papers and journals to online libraries with an expansive collection of books from various genres. Many authors and publishers also upload their work to specific websites, granting readers access to their content without any charge. These platforms not only provide access to existing literature but also serve as an excellent platform for undiscovered authors to share their work with the world. However, it is essential to be cautious while downloading Download Design Connections Steel Composite Structures. Some websites may offer pirated or illegally obtained copies of copyrighted material. Engaging in such activities not only violates copyright laws but also undermines the

efforts of authors, publishers, and researchers. To ensure ethical downloading, it is advisable to utilize reputable websites that prioritize the legal distribution of content. When downloading Download Design Connections Steel Composite Structures, users should also consider the potential security risks associated with online platforms. Malicious actors may exploit vulnerabilities in unprotected websites to distribute malware or steal personal information. To protect themselves, individuals should ensure their devices have reliable antivirus software installed and validate the legitimacy of the websites they are downloading from. In conclusion, the ability to download Download Design Connections Steel Composite Structures has transformed the way we access information. With the convenience, cost-effectiveness, and accessibility it offers, free PDF downloads have become a popular choice for students, researchers, and book lovers worldwide. However, it is crucial to engage in ethical downloading practices and prioritize personal security when utilizing online platforms. By doing so, individuals can make the most of the vast array of free PDF resources available and embark on a journey of continuous learning and intellectual growth.

FAQs About Download Design Connections Steel Composite Structures Books

What is a Download Design Connections Steel Composite Structures PDF? A PDF (Portable Document Format) is a file format developed by Adobe that preserves the layout and formatting of a document, regardless of the software, hardware, or operating system used to view or print it. **How do I create a Download Design Connections Steel Composite Structures PDF?** There are several ways to create a PDF: Use software like Adobe Acrobat, Microsoft Word, or Google Docs, which often have built-in PDF creation tools. Print to PDF: Many applications and operating systems have a "Print to PDF" option that allows you to save a document as a PDF file instead of printing it on paper. Online converters: There are various online tools that can convert different file types to PDF. **How do I edit a Download Design Connections Steel Composite Structures PDF?** Editing a PDF can be done with software like Adobe Acrobat, which allows direct editing of text, images, and other elements within the PDF. Some free tools, like PDFescape or Smallpdf, also offer basic editing capabilities. **How do I convert a Download Design Connections Steel Composite Structures PDF to another file format?** There are multiple ways to convert a PDF to another format: Use online converters like Smallpdf, Zamzar, or Adobe Acrobats export feature to convert PDFs to formats like Word, Excel, JPEG, etc. Software like Adobe Acrobat, Microsoft Word, or other PDF editors may have options to export or save PDFs in different formats. **How do I password-protect a Download Design Connections Steel Composite Structures PDF?** Most PDF editing software allows you to add password protection. In Adobe Acrobat, for instance, you can go to "File" -> "Properties" -> "Security" to set a password to restrict access or editing capabilities. Are there any free alternatives to Adobe Acrobat for working with PDFs? Yes, there are

Download Design Connections Steel Composite Structures

many free alternatives for working with PDFs, such as: LibreOffice: Offers PDF editing features. PDFsam: Allows splitting, merging, and editing PDFs. Foxit Reader: Provides basic PDF viewing and editing capabilities. How do I compress a PDF file? You can use online tools like Smallpdf, ILovePDF, or desktop software like Adobe Acrobat to compress PDF files without significant quality loss. Compression reduces the file size, making it easier to share and download. Can I fill out forms in a PDF file? Yes, most PDF viewers/editors like Adobe Acrobat, Preview (on Mac), or various online tools allow you to fill out forms in PDF files by selecting text fields and entering information. Are there any restrictions when working with PDFs? Some PDFs might have restrictions set by their creator, such as password protection, editing restrictions, or print restrictions. Breaking these restrictions might require specific software or tools, which may or may not be legal depending on the circumstances and local laws.

Find Download Design Connections Steel Composite Structures :

~~statistical quality control by m mahajan download pdf ebooks about statistical quality control by m mahajan or read online~~

~~sri lanka stamp albums web~~

~~structural engineer pocket~~

summer rain comprehension assessment answer key

suzuki df40a outboard service manual pdf download

suzuki dr 250 s repair manual

suzuki rmz 250 2011 service manual

succeed in trinity ise ii scribd

statistics for business and economics 12th anderson book

sustainable ecosystems unit 1 and human activity

subject date mind map

~~strategic management past exam papers~~

step ahead an english course teachers guide sesog

std 10 11 12 nibandh mala hind midiyam navnit

~~st michael 7th and 8th grade religious education and~~

Download Design Connections Steel Composite Structures :

form 3 national exams past papers 2022 ams istanbul edu - Oct 27 2022

web form 3 national exams past papers gk general awareness multi tasking staff multiple choice questions international tax evasion tax treaty issues

get the free english past papers pdf form pdffiller - May 02 2023

web 01 make sure you have downloaded the english past papers pdf onto your device 02 open the pdf file using a compatible pdf reader on your computer or mobile device 03 read

form 3 national exam paper english - Jan 18 2022

web form 3 national exam paper english right here we have countless ebook form 3 national exam paper english and collections to check out we additionally provide

form 3 national exam paper english pdf pdf vodice - Dec 17 2021

web to the declaration as without difficulty as keenness of this form 3 national exam paper english pdf pdf can be taken as competently as picked to act neet ug 2023 updates

english form 3 term 3 past and revision papers - Apr 01 2023

web may 9 2021 english form 3 term 3 examinations marking schemes answers questions and answers exams tests kcse exams

form 3 english paper 1 mid year examination 2021 - Jul 24 2022

web jul 28 2021 form 3 english paper 1 mid year examination 2021 g72040078 member for 2 years 4 months age 15 16 level form 3 language english en id 1204263

form 3 exams with marking scheme comprehensive papers - Feb 28 2023

web nov 6 2023 looking for form three 3 comprehensive exams look no further download all the updated form 3 exams with marking schemes here check the teachers

english revision past papers with answers for - Oct 15 2021

web jul 26 2021 electricity english form 3 term 1 exams past papers past kcse papers exam papers examinations past exam papers

form three papers and answers enhanced education group - Oct 07 2023

web form 3 set 1 exams questions answers form 3 term 2 exams set 2 questions answers form 3 term 1 exams set 3 questions answers part 1 form 3 term 1

exam form 3 paper 1 may 2023 pdf scribd - Apr 20 2022

web may 1 2023 exam form 3 paper 1 may 2023 free download as word doc doc docx pdf file pdf text file txt or read online for free exam paper bi form 3

form 3 past papers with answers pdf fill download for free - Jun 03 2023

web follow these steps to get your form 3 past papers with answers pdf edited with accuracy and agility click the get form button on this page you will be forwarded to our pdf

[2022 nsc november past papers national department of basic - Feb 16 2022](#)

web examination papers and memoranda from the 2022 november exam search search menu home about us about db e paper 1 english 3 10 2023 download paper

2023 form 3 english paper 3 end of term 3 examination with - Mar 20 2022

web 2023 form 3 english paper 3 end of term 3 examination with marking schemes ksh 40 00 order on whatsapp categories form 3 exams form 3 exams and

[form 3 examinations with answers atika school - Sep 06 2023](#)

web english form 3 paper 1 m scheme mod21042022001 docx file size 22 kb file type docx download file english form 3 paper 3 m scheme mod21042022001 docx

english form 3 questions and answers end term 1 exam free - Aug 25 2022

web jun 15 2022 form 1 end of term 3 2022 exam english questions and answers form 2 end of term 3 2022 exam english questions and answers form 3 end of term 3 2022 exam

form 3 national exam paper english book - Jun 22 2022

web form 3 national exam paper english focus practice tests plus preliminary booklet with key sep 20 2020 aqa english language paper 1 practice papers aug 20 2020

[form 3 english paper 3 end of term 1 examination 2022 - Sep 25 2022](#)

web exam summary form 3 english paper 3 end of term 1 examination 2022 this exam document has the question paper and it s marking scheme in both pdf and word

[free form 3 papers download free form 3 past papers - Jul 04 2023](#)

web jul 28 2016 mu part 3 exam form date 2020 brabu part 3 exam form date 2020 form 3 english exam paper with answer form 3 english exam paper hk form 3 english

form 3 english past exams question papers kenya plex - Nov 27 2022

web form 3 english mid term exam june 2016 english paper 3 creative composition and essays based on set texts mbooni east sub county form 4 entrance examination

english paper 3 form 3 questions and answers end term 2 - May 22 2022

web feb 9 2021 english paper 3 form 3 end term 2 exams 2021 with marking schemes compulsory imaginative composition 20 marks either write a story

[form three english exams download highschool - Aug 05 2023](#)

web jul 5 2021 download form 3 english exams for free get any of the exams listed below and download them for revision you can find editable exam papers which can be used

english form 3 term 2 exams with answers and in pdf - Nov 15 2021

web aug 31 2021 english form 3 term 2 examinations marking schemes answers questions and answers exams tests kcse exams

form 3 end of term 2 english p2 exam teacha - Jan 30 2023

web aug 22 2022 the form 3 end of term 2 english p2 comprehensively covers term 1 and 2 syllabi therefore it will help the students cover the syllabus and revise for the term 2

form 3 english exams and past papers in kenya tutorke com - Dec 29 2022

web 34 exams and past papers form 3 english paper 3 end of term 2 examination 2023 form 3 english paper 2 end of term 2 examination 2023 form 3 english paper 1

raging stallion 2019 raging stallion megaknihy cz - Apr 10 2023

web objednávejte knihu raging stallion 2019 v internetovém knihkupectví megaknihy cz nejnižší ceny 450 výdejních míst 99 spokojených zákazníků

raging stallion 2019 calendars 2019 abebooks - May 11 2023

web this calendar has the most masculine men from raging stallion a real hunky stud for every month of the year all your favorites in one calendar jay landford sean duran

raging stallion review of ragingstallion com gaydemon - Dec 26 2021

web sep 16 2022 raging stallion delivers masculine porn stars many hairy and muscular with big cocks sucking dick and fucking in duos threesomes and small groups 2 782

the men tv series 2011 full cast crew imdb - Jul 01 2022

web 12 episodes 2019 2020 chi chi larue 3 episodes 2016 2017 drew dixon 3 episodes 2019 iza l 2 episodes 2018 chris crisco 1 episode 2018 bruce la

ragingstallion2019 logs erpnext - Feb 25 2022

web nigerian american art historian find themselves unexpectedly connected through their shared interest in the horse one studying the stallion s bones for clues to his power

buy raging stallion 2019 by raging stallion with free delivery - Feb 08 2023

web apr 20 2021 this calendar has the most masculine men from raging stallion a real hunky stud for every month of the year all your favorites in one calendar jay landford

amazon com raging stallion books - Dec 06 2022

web sep 13 2022 [raging stallion 2019 calendars 2019](#) by raging stallion oct 1 2018 4 8 out of 5 stars 18 calendar raging stallion 2018 by raging stallion sep 1 2017

[raging stallion 2019 calendars 2019 amazon com](#) - Jul 13 2023

web oct 1 2018 4 8 18 ratings see all formats and editions raging stallion is a major gay film studio and one of the world s largest producers of gay entertainment films with decades

raging stallion 2019 help environment harvard edu - Mar 29 2022

web raging stallion 2019 right here we have countless ebook raging stallion 2019 and collections to check out we additionally pay for variant types and after that type of the

raging stallion gay porn videos hd scene trailers pornhub - Jan 27 2022

web enjoy raging stallion gay porn videos for free watch high quality hd raging stallion tube videos sex trailers no password is required to watch movies on pornhub com

the men of raging stallion 2020 amazon ca - Oct 04 2022

web jul 1 2019 4 4 92 ratings see all formats and editions raging stallion is a major gay film studio and one of the world s largest producers of gay entertainment films with decades

raging stallion 2019 calendars 2019 blackwell s - Mar 09 2023

web oct 1 2018 the hairiest manliest and sexiest men twelve of them are presented in this 2019 calendar by premium gay film studio raging stallion a must have for all ragi

[ragingstallion leatherworker net](#) - May 31 2022

web jun 19 2020 ragingstallion replied to ragingstallion s topic in leather tools so your in the same boat as me cuz that is what i am using best solution that i have so far is to

[calendars 2019 ser raging stallion 2019 2018 calendar ebay](#) - Jan 07 2023

web find many great new used options and get the best deals for calendars 2019 ser raging stallion 2019 2018 calendar at the best online prices at ebay free shipping

[raging stallion 2019 raging stallion 9783959853590](#) - Jun 12 2023

web oct 1 2018 this calendar has the most masculine men from raging stallion a real hunky stud for every month of the year all your favorites in one calendar jay landford sean

[gayvn award for best actor wikipedia](#) - Apr 29 2022

web raging stallion falcon studios ryan rose scared stiff nakedsword falcon studios adam russo the stepfather 3 icon male mile high media will wikle the stillest hour

[amazon com customer reviews raging stallion 2019](#) - Nov 05 2022

web find helpful customer reviews and review ratings for raging stallion 2019 calendars 2019 at amazon com read honest and unbiased product reviews from our users

[amazon co uk raging stallion books](#) - Aug 02 2022

web aug 1 2017 raging stallion 2019 calendar by raging stallion 15 sep 2018 18

[raging stallion studios wikipedia](#) - Sep 03 2022

web website ragingstallion com raging stallion studiosbased in san francisco is a major adult film studio and one of the world s largest producers of gay pornography

[raging stallion 2019 calendar raging stallion amazon sg books](#) - Aug 14 2023

web this calendar has the most masculine men from raging stallion a real hunky stud for every month of the year all your favorites in one calendar jay landford sean duran

gay raging stallion porn videos sex movies redtube com - Nov 24 2021

web tons of free gay raging stallion porn videos and xxx movies are waiting for you on redtube find the best gay raging stallion videos right here and discover why our sex

[molla nasreddin polemics caricatures satires](#) - Dec 27 2021

web we have the funds for molla nasreddin polemics caricatures satires and numerous book collections from fictions to scientific research in any way in the course of them is this molla nasreddin polemics caricatures satires that can be your partner molla nasreddin slavs and tatars 2017 02 16

[molla nasreddin polemics caricatures satires goodreads](#) - Mar 10 2023

web apr 30 2017 slavs and tatars a leading art collective focusing on eurasia has brought together this collection of sketches caricatures and satirical writings from molla nasreddin in the process revealing an unusual manifestation of nationalism in the caucasus and its surrounding regions

[molla nasreddin polemics caricatures satire salt research](#) - Jun 13 2023

web molla nasreddin polemics caricatures satire slavs and tatars group of artists 2017 salt araştırma ferit f Şahenk salonu kitaplar 709 05 sla lokasyonunda mevcut getir

molla nasreddin polemics caricatures satire searchworks - Jan 08 2023

web select search scope currently catalog all catalog articles website more in one search catalog books media more in the stanford libraries collections articles journal articles other e resources

molla nasreddin polemics caricatures satires amazon com - Apr 11 2023

web apr 30 2017 slavs and tatars a leading art collective focusing on eurasia has brought together this collection of sketches caricatures and satirical writings from molla nasreddin in the process revealing an unusual manifestation of

nationalism in the caucasus and its surrounding regions

molla nasreddin polemics caricatures satire 9781350987234 - Aug 03 2022

web molla nasreddin polemics caricatures satire 9781350987234 9781838608859 published between 1906 and 1930 molla nasreddin was a satirical azeri periodical edited by jalil mammadguluzadeh and na 107 65 141mb

molla nasreddin i the person encyclopaedia iranica - Apr 30 2022

web jul 15 2009 molla nasreddin mollā naşr al din one of the most celebrated personalities in persian and middle eastern folklore i the person molla nasreddin is a character who appears in thousands of stories always witty sometimes wise even philosophic sometimes the instigator of practical jokes on others and often a fool or the

[molla nasreddin polemics caricatures satires slavs and](#) - Aug 15 2023

web slavs and tatars a leading art collective focusing on eurasia has brought together this collection of sketches caricatures and satirical writings from molla nasreddin in the process revealing an unusual manifestation of nationalism in the caucasus and its surrounding regions

molla nasreddin polemics caricatures satires google play - May 12 2023

web molla nasreddin polemics caricatures satires ebook written by slavs and tatars read this book using google play books app on your pc android ios devices download for offline reading highlight bookmark or take notes while you read molla nasreddin polemics caricatures satires

molla nasreddin polemics caricatures satires ebook - Sep 04 2022

web feb 16 2017 published between 1906 and 1930 molla nasreddin was a satirical azeri periodical edited by jalil mammadguluzadeh and named after the legendary sufi wise

[molla nasreddin by slavs and tatars new 9781784535483](#) - Nov 06 2022

web feb 16 2017 molla nasreddin polemics caricatures satires by slavs and tatars published between 1906 and 1930 molla nasreddin was a satirical azeri periodical edited by jalil mammadguluzadeh and named after the legendary sufi wise man cum fool of the middle ages who reputedly lived in the thirteenth century in the ottoman empire

molla nasreddin polemics caricatures satires - Jul 02 2022

web farid alakbarov slavs and tatars aleksei ilich kalabin polecaj historie molla nasreddin polemics caricatures satire 9781350987234 9781838608859 published between 1906 and 1930 molla nasreddin was a satirical azeri periodical edited by jalil mammadguluzadeh and na 108 65 141mb read more

[molla nasreddin comic sage of the ages azer com](#) - Mar 30 2022

web molla nasreddin stories are eternal they deal with social issues which are fundamental to human nature social injustice class privilege selfishness cowardliness laziness incompetence ignorance narrow mindedness and all kinds of fraud though

most of the stories are set in 13th century teahouses bath houses caravansarai and market

molla nasreddin polemics caricatures satires alibris - Jun 01 2022

web buy molla nasreddin polemics caricatures satires by slavs and tatars editor online at alibris we have new and used copies available in 1 editions starting at 43 95 shop now

cornucopia magazine molla nasreddin - Feb 09 2023

web slavs and tatars a leading art collective focusing on eurasia has brought together this collection of sketches caricatures and satirical writings from molla nasreddin in the process revealing an unusual manifestation of nationalism in the caucasus and its surrounding regions

satire in the muslim world molla nasreddin youtube - Jan 28 2022

web satire in the muslim world molla nasreddinjanuary 27 2015published between 1906 and 1930 molla nasreddin was a legendary azerbaijani political satire read

molla nasreddin polemics caricatures satires alinino az - Feb 26 2022

web molla nasreddin polemics caricatures satires pulsuz Çatdirilma məhsul mövcud deyil nəşriyyat i b tauris co ltd

molla nasreddin polemics caricatures satires google books - Jul 14 2023

web slavs and tatars a leading art collective focusing on eurasia has brought together this collection of sketches caricatures and satirical writings from molla nasreddin in the process

molla nasreddin by slavs and tatars overdrive - Oct 05 2022

web feb 16 2017 slavs and tatars a leading art collective focusing on eurasia has brought together this collection of sketches caricatures and satirical writings from molla nasreddin in the process revealing an unusual manifestation of nationalism in the caucasus and its surrounding regions

molla nasreddin polemics caricatures satires slavs and - Dec 07 2022

web published between 1906 and 1930 molla nasreddin was a satirical azeri periodical edited by jalil mammadguluzadeh and named after the legendary sufi wise man cu