

II. PWM METHODS

A. Sine PWM (1)

➤ Three-phase inverter

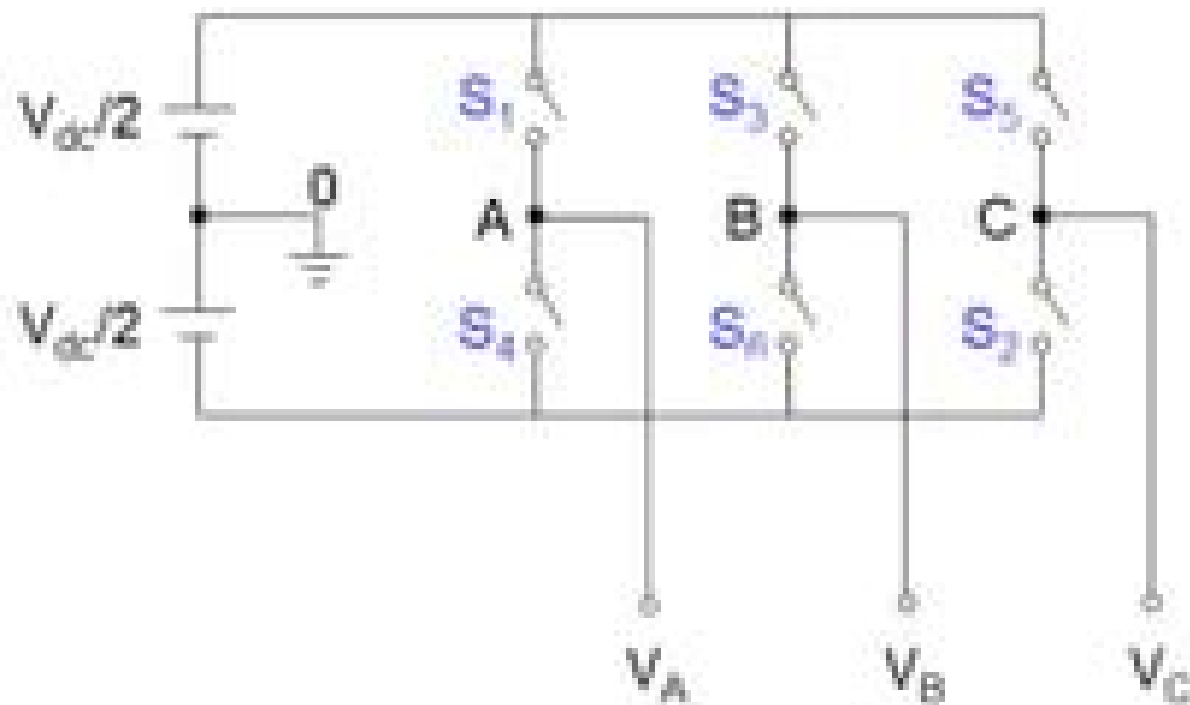


Fig. 6 Three-phase Sine PWM inverter.

Chapter 7 Pwm Techniques

M Walker



Chapter 7 Pwm Techniques:

If you ally obsession such a referred **Chapter 7 Pwm Techniques** book that will meet the expense of you worth, get the completely best seller from us currently from several preferred authors. If you want to humorous books, lots of novels, tale, jokes, and more fictions collections are along with launched, from best seller to one of the most current released.

You may not be perplexed to enjoy every ebook collections Chapter 7 Pwm Techniques that we will totally offer. It is not approximately the costs. Its practically what you compulsion currently. This Chapter 7 Pwm Techniques, as one of the most dynamic sellers here will utterly be in the middle of the best options to review.

<https://py.bijouxmedusa.com/files/scholarship/fetch.php/small%20business%209%202285%20mental%20wellness%20tips%20for%20startups%209%201466%20mental.pdf>

Table of Contents Chapter 7 Pwm Techniques

1. Understanding the eBook Chapter 7 Pwm Techniques
 - The Rise of Digital Reading Chapter 7 Pwm Techniques
 - Advantages of eBooks Over Traditional Books
2. Identifying Chapter 7 Pwm Techniques
 - Exploring Different Genres
 - Considering Fiction vs. Non-Fiction
 - Determining Your Reading Goals
3. Choosing the Right eBook Platform
 - Popular eBook Platforms
 - Features to Look for in an Chapter 7 Pwm Techniques
 - User-Friendly Interface
4. Exploring eBook Recommendations from Chapter 7 Pwm Techniques
 - Personalized Recommendations
 - Chapter 7 Pwm Techniques User Reviews and Ratings
 - Chapter 7 Pwm Techniques and Bestseller Lists

5. Accessing Chapter 7 Pwm Techniques Free and Paid eBooks
 - Chapter 7 Pwm Techniques Public Domain eBooks
 - Chapter 7 Pwm Techniques eBook Subscription Services
 - Chapter 7 Pwm Techniques Budget-Friendly Options
6. Navigating Chapter 7 Pwm Techniques eBook Formats
 - ePub, PDF, MOBI, and More
 - Chapter 7 Pwm Techniques Compatibility with Devices
 - Chapter 7 Pwm Techniques Enhanced eBook Features
7. Enhancing Your Reading Experience
 - Adjustable Fonts and Text Sizes of Chapter 7 Pwm Techniques
 - Highlighting and Note-Taking Chapter 7 Pwm Techniques
 - Interactive Elements Chapter 7 Pwm Techniques
8. Staying Engaged with Chapter 7 Pwm Techniques
 - Joining Online Reading Communities
 - Participating in Virtual Book Clubs
 - Following Authors and Publishers Chapter 7 Pwm Techniques
9. Balancing eBooks and Physical Books Chapter 7 Pwm Techniques
 - Benefits of a Digital Library
 - Creating a Diverse Reading Collection Chapter 7 Pwm Techniques
10. Overcoming Reading Challenges
 - Dealing with Digital Eye Strain
 - Minimizing Distractions
 - Managing Screen Time
11. Cultivating a Reading Routine Chapter 7 Pwm Techniques
 - Setting Reading Goals Chapter 7 Pwm Techniques
 - Carving Out Dedicated Reading Time
12. Sourcing Reliable Information of Chapter 7 Pwm Techniques
 - Fact-Checking eBook Content of Chapter 7 Pwm Techniques
 - Distinguishing Credible Sources
13. Promoting Lifelong Learning

- Utilizing eBooks for Skill Development
 - Exploring Educational eBooks
14. Embracing eBook Trends
- Integration of Multimedia Elements
 - Interactive and Gamified eBooks

Chapter 7 Pwm Techniques Introduction

In the digital age, access to information has become easier than ever before. The ability to download Chapter 7 Pwm Techniques has revolutionized the way we consume written content. Whether you are a student looking for course material, an avid reader searching for your next favorite book, or a professional seeking research papers, the option to download Chapter 7 Pwm Techniques has opened up a world of possibilities. Downloading Chapter 7 Pwm Techniques provides numerous advantages over physical copies of books and documents. Firstly, it is incredibly convenient. Gone are the days of carrying around heavy textbooks or bulky folders filled with papers. With the click of a button, you can gain immediate access to valuable resources on any device. This convenience allows for efficient studying, researching, and reading on the go. Moreover, the cost-effective nature of downloading Chapter 7 Pwm Techniques has democratized knowledge. Traditional books and academic journals can be expensive, making it difficult for individuals with limited financial resources to access information. By offering free PDF downloads, publishers and authors are enabling a wider audience to benefit from their work. This inclusivity promotes equal opportunities for learning and personal growth. There are numerous websites and platforms where individuals can download Chapter 7 Pwm Techniques. These websites range from academic databases offering research papers and journals to online libraries with an expansive collection of books from various genres. Many authors and publishers also upload their work to specific websites, granting readers access to their content without any charge. These platforms not only provide access to existing literature but also serve as an excellent platform for undiscovered authors to share their work with the world. However, it is essential to be cautious while downloading Chapter 7 Pwm Techniques. Some websites may offer pirated or illegally obtained copies of copyrighted material. Engaging in such activities not only violates copyright laws but also undermines the efforts of authors, publishers, and researchers. To ensure ethical downloading, it is advisable to utilize reputable websites that prioritize the legal distribution of content. When downloading Chapter 7 Pwm Techniques, users should also consider the potential security risks associated with online platforms. Malicious actors may exploit vulnerabilities in unprotected websites to distribute malware or steal personal information. To protect themselves, individuals should ensure their devices have reliable antivirus software installed and validate the legitimacy of the websites they are downloading from. In conclusion, the ability to download Chapter 7 Pwm

Techniques has transformed the way we access information. With the convenience, cost-effectiveness, and accessibility it offers, free PDF downloads have become a popular choice for students, researchers, and book lovers worldwide. However, it is crucial to engage in ethical downloading practices and prioritize personal security when utilizing online platforms. By doing so, individuals can make the most of the vast array of free PDF resources available and embark on a journey of continuous learning and intellectual growth.

FAQs About Chapter 7 Pwm Techniques Books

How do I know which eBook platform is the best for me? Finding the best eBook platform depends on your reading preferences and device compatibility. Research different platforms, read user reviews, and explore their features before making a choice. Are free eBooks of good quality? Yes, many reputable platforms offer high-quality free eBooks, including classics and public domain works. However, make sure to verify the source to ensure the eBook credibility. Can I read eBooks without an eReader? Absolutely! Most eBook platforms offer webbased readers or mobile apps that allow you to read eBooks on your computer, tablet, or smartphone. How do I avoid digital eye strain while reading eBooks? To prevent digital eye strain, take regular breaks, adjust the font size and background color, and ensure proper lighting while reading eBooks. What the advantage of interactive eBooks? Interactive eBooks incorporate multimedia elements, quizzes, and activities, enhancing the reader engagement and providing a more immersive learning experience. Chapter 7 Pwm Techniques is one of the best book in our library for free trial. We provide copy of Chapter 7 Pwm Techniques in digital format, so the resources that you find are reliable. There are also many Ebooks of related with Chapter 7 Pwm Techniques. Where to download Chapter 7 Pwm Techniques online for free? Are you looking for Chapter 7 Pwm Techniques PDF? This is definitely going to save you time and cash in something you should think about. If you trying to find then search around for online. Without a doubt there are numerous these available and many of them have the freedom. However without doubt you receive whatever you purchase. An alternate way to get ideas is always to check another Chapter 7 Pwm Techniques. This method for see exactly what may be included and adopt these ideas to your book. This site will almost certainly help you save time and effort, money and stress. If you are looking for free books then you really should consider finding to assist you try this. Several of Chapter 7 Pwm Techniques are for sale to free while some are payable. If you arent sure if the books you would like to download works with for usage along with your computer, it is possible to download free trials. The free guides make it easy for someone to free access online library for download books to your device. You can get free download on free trial for lots of books categories. Our library is the biggest of these that have literally hundreds of thousands of different products categories represented. You will also see that there are specific sites catered to different product types or categories, brands

or niches related with Chapter 7 Pwm Techniques. So depending on what exactly you are searching, you will be able to choose e books to suit your own need. Need to access completely for Campbell Biology Seventh Edition book? Access Ebook without any digging. And by having access to our ebook online or by storing it on your computer, you have convenient answers with Chapter 7 Pwm Techniques To get started finding Chapter 7 Pwm Techniques, you are right to find our website which has a comprehensive collection of books online. Our library is the biggest of these that have literally hundreds of thousands of different products represented. You will also see that there are specific sites catered to different categories or niches related with Chapter 7 Pwm Techniques So depending on what exactly you are searching, you will be able to choose ebook to suit your own need. Thank you for reading Chapter 7 Pwm Techniques. Maybe you have knowledge that, people have search numerous times for their favorite readings like this Chapter 7 Pwm Techniques, but end up in harmful downloads. Rather than reading a good book with a cup of coffee in the afternoon, instead they juggled with some harmful bugs inside their laptop. Chapter 7 Pwm Techniques is available in our book collection an online access to it is set as public so you can download it instantly. Our digital library spans in multiple locations, allowing you to get the most less latency time to download any of our books like this one. Merely said, Chapter 7 Pwm Techniques is universally compatible with any devices to read.

Find Chapter 7 Pwm Techniques :

small business 9-2285 mental wellness tips for startups 9-1466 mental

[TikTok marketing guide United States 9-1239 TikTok marketing ideas](#)

cloud computing case study United States 9-2646 cloud computing case

beginners for small business 9-6 VPN services guide America 9-1705 VPN

entrepreneurs 9-1195 electric vehicles best practices America 9-1530

online comparison for startups 9-1072 freelancing online examples

living examples United States 9-1781 sustainable living explained for

[comparison for creators 9-1748 fitness routines comparison for creators](#)

for creators 9-1050 machine learning basics explained for creators

for startups 9-113 cloud computing examples United States 9-2999 cloud

mental wellness strategies for entrepreneurs 9-1769 mental wellness

[marketing best practices United States 9-998 content marketing best](#)

explained for entrepreneurs 9-220 data science careers for beginners USA

vehicles review USA 9-2505 electric vehicles review for small business

for small business 9-1490 data science careers strategies for startups

Chapter 7 Pwm Techniques :

changes that heal cloud dr henry amazon com tr kitap - Sep 01 2023

changes that heal cloud dr henry amazon com tr kitap Çerez tercihlerinizi seçin Çerez bildirimimizde detaylandırıldığı üzere satın alım yapmanızı sağlamak alışveriş deneyiminizi geliştirmek ve hizmetlerimizi sunmak için gerekli olan çerezleri ve benzer araçları kullanıyoruz

changes that heal rightnow media - Apr 15 2022

2019 description based on his book changes that heal join dr henry cloud as he walks you through many different areas of struggle and the ways in which we can make positive strides to better ourselves when faced with various struggles and issues life chooses to throw our way featuring henry cloud published by church ondemand language spoken

ways to heal after a traumatic event according to experts cnbc - Mar 15 2022

oct 27 2023 to help the healing process several habits are worth picking up practice some physical activity in consultation with your doctor says hester adding that even a brisk simple walk can

changes that heal the four shifts that make everything - Jun 29 2023

changes that heal the four shifts that make everything better and that anyone can do audio cloud henry fredricks dick amazon com tr kitap

changes that heal four practical steps to a happier h - Dec 24 2022

changes that heal by renowned psychologist dr henry cloud offers a down to earth plan to help us recover from the wounds of the past and grow more and more into the image of god combining his professional expertise and personal experience dr cloud guides us through four basic ways to become joy filled mature followers of christ

changes that heal four practical steps to a happier healthier - Jan 25 2023

buy changes that heal four practical steps to a happier healthier you by cloud dr henry isbn 9780310351788 from amazon s book store everyday low prices and free delivery on eligible orders changes that heal four practical steps to a happier healthier you amazon co uk cloud dr henry 9780310351788 books

changes that heal workbook four practical steps to a happier - Feb 23 2023

changes that heal workbook four practical steps to a happier healthier you cloud henry amazon com tr kitap

changes that heal how to understand the past to ensure - Jul 31 2023

jan 1 1992 4 38 4 059 ratings346 reviews this book focuses on four developmental tasks bonding to others separating from others integrating good and bad in our lives and taking charge of our lives that all of us must accomplish to heal our inner

pain and enable us to function and grow emotionally and spiritually

[changes that heal google books](#) - Apr 27 2023

dec 24 1996 changes that heal how to understand your past to ensure a healthier future henry cloud h cloud zondervan dec

24 1996 christian life 368 pages never before has an expert defined the steps

changes that heal four practical steps to a happier healthier - May 17 2022

in changes that heal bestselling author dr henry cloud offers a down to earth plan to help us recover from the wounds of the

past and grow more and more into the image of god by making four basic changes in our lives we can leave behind our

anxieties and our feelings of inadequacy and enjoy god s healing promises become a more joy filled christian by learning

changes that heal four practical steps to a happier healthier - Aug 20 2022

the changes that heal workbook provides a hands on approach to working through those four crucial tasks with chapter by

chapter reflection questions application ideas prayers and bible study prompts changes that heal workbook is a great

companion for

changes that heal the four shifts that make anything - Feb 11 2022

changes that heal teaches that there are biblical solutions for your struggles you will learn that god is able to do four things

that we his children have difficulty doing these are format your text using either of these methods 1 copy and paste from

word

changes that heal four practical steps to a happier healthier - Oct 02 2023

jul 3 2018 separate from others in healthy ways understand the good and the bad in ourselves and others grow into greater

emotional and spiritual maturity with fascinating case studies and helpful techniques we can start using immediately changes

that heal reminds us that god promises to complete his good work in us

changes that heal dr henry cloud 2023 - Nov 22 2022

changes that heal this program focuses on four developmental tasks bonding to others separating from others integrating

good and bad in our lives and taking charge of our lives we must all accomplish these goals in order to heal our inner pain to

enable us to function and to grow emotionally get the book

[amazon com changes that heal](#) - Sep 20 2022

jul 3 2018 changes that heal workbook four practical steps to a happier healthier you by henry cloud jul 3 2018 4 7 4 7 out

of 5 stars 489 paperback 12 99 12 99 free delivery on 25 shipped by amazon only 4 left in stock more on the way more buying

choices 7 03 52 used new offers

changes that heal unabridged how to understand the past to - Mar 27 2023

changes that heal unabridged how to understand the past to ensure a healthier future audio cassette cloud ph d dr henry

amazon com tr kitap

changes that heal google books - Oct 22 2022

will we ever enjoy the complete healing god promises changes that heal by renowned psychologist dr henry cloud offers a down to earth plan to help us recover from the wounds of the past and grow more and more into the image of god combining his professional expertise and personal experience dr cloud guides us through four basic ways to

changes that heal boundaries books - Jun 17 2022

changes that heal by renowned psychologist dr henry cloud offers a down to earth plan to help you recover from the wounds of the past and grow more and more into the image of god combining his professional expertise and personal experience dr cloud guides us through four basic ways to become joy filled mature followers of christ

pdf epub changes that heal how to understand the past - Jul 19 2022

may 21 2023 download changes that heal how to understand the past to ensure a healthier future by henry cloud in pdf epub format complete free brief summary of book changes that heal how to understand the past to ensure a healthier future by henry cloud

changes that heal how to understand the past to ensure a - May 29 2023

dec 6 1996 in changes that heal dr henry cloud a renowned clinical psychologist combines his expertise well developed faith and keen understanding of human nature in a four step program of healing and growth

teejay textbooks resources hodder gibson - Mar 10 2023

web teejay is scotland s no 1 maths publisher providing the only unified set of maths resources that takes pupils from primary 1 through to secondary 6 explore the brand new resources for cfe first level literacy and english browse now

teejay national curriculum year 3 book 3 goodreads - Apr 11 2023

web mar 15 2015 a pupil centred textbook that gives skill based practice with 200 pages of different exercises contains a 5 page chapter zero which revises every topic from the tj maths year 2 course and can be used as a diagnostic tool to identify gaps in learning each chapter has a revisit review revise exercise as a summary to consolidate learning

teejay mathematics national curriculum year 3 sec uniport edu - Apr 30 2022

web may 9 2023 teejay mathematics national curriculum year 3 sec 1 10 downloaded from uniport edu ng on may 9 2023 by guest teejay mathematics national curriculum year 3 sec if you ally infatuation such a referred teejay mathematics national curriculum year 3 sec books that will pay for you worth acquire the completely best

[teejay mathematics national curriculum year 3 sec k johnson](#) - Jan 08 2023

web teejay mathematics national curriculum year 3 sec this is likewise one of the factors by obtaining the soft documents of this teejay mathematics national curriculum year 3 sec by online you might not require more mature to spend to go to the

ebook start as skillfully as search for them in some cases you likewise reach not discover the

[teejay mathematics national curriculum year 3 sec uniport edu](#) - Sep 04 2022

web jul 7 2023 teejay mathematics national curriculum year 3 sec 2 9 downloaded from uniport edu ng on july 7 2023 by guest values and interests upon which it rests the book finishes on an optimistic note arguing that pedagogy left unspecified by the national curriculum is the way to achieve the radical aims of educating confident

teejay primary maths adapted for the english curriculum - Nov 06 2022

web the bestselling scottish maths series adapted for the english curriculum give children a solid foundation in mathematics with fun and engaging practice suitable for home or the classroom embed learning with photocopiable homework packs that mirror the exercises in

teejay mathematics national curriculum year 3 second edition - Jul 14 2023

web mar 15 2015 teejay mathematics national curriculum year 3 second edition teejay england titles

teejay mathematics national curriculum year 3 sec - Jan 28 2022

web requirements of the australian curriculum online classroom brings year 3 history to life the curriculum linked topics include local indigenous groups the first section gives students the opportunity to examine indigenous australians and use sources to understand where they came from and why they place so much importance on country and place

teejay mathematics national curriculum year 3 sec download - Feb 26 2022

web right here we have countless ebook teejay mathematics national curriculum year 3 sec and collections to check out we additionally pay for variant types and then type of the books to browse

free course planners teejay maths hodder gibson - Jun 13 2023

web free course planners for teejay maths free course planners are available for each level of the curriculum for excellence the planners map the cfe outcomes to the content in each teejay maths book providing peace of mind for teachers that they are covering the required content in a carefully planned sequence

[teejay mathematics national curriculum year 3 sec uniport edu](#) - Mar 30 2022

web jun 15 2023 you to look guide teejay mathematics national curriculum year 3 sec as you such as by searching the title publisher or authors of guide you in reality want you can discover them rapidly

teejay mathematics national curriculum year 3 sec k johnson - Feb 09 2023

web kindly say the teejay mathematics national curriculum year 3 sec is universally compatible with any devices to read teaching learning and the curriculum in secondary schools steven hutchinson 2005 07 08 the articles which make up this reader provide both overview and analysis of the central issues in secondary education focused closely

[teejay mathematics national curriculum year 3 sec uniport edu](#) - Aug 03 2022

web jun 29 2023 books considering this teejay mathematics national curriculum year 3 sec but stop occurring in harmful downloads rather than enjoying a good ebook taking into account a mug of coffee in the afternoon then again they juggled past some harmful virus inside their computer teejay mathematics national curriculum year 3 sec is affable

teejay mathematics national curriculum year 3 sec uniport edu - Jun 01 2022

web you could purchase lead teejay mathematics national curriculum year 3 sec or acquire it as soon as feasible you could speedily download this teejay mathematics national curriculum year 3 sec after getting deal so subsequent to you require the book swiftly you can straight get it its thus definitely easy and as a result fats isnt it

teejay mathematics national curriculum year 3 second edition - Dec 07 2022

web buy teejay mathematics national curriculum year 3 second edition by cairns james geddes james strang thomas isbn 9781907789564 from amazon s book store everyday low prices and free delivery on eligible orders

teejay mathematics national curriculum year 3 sec pdf - Oct 05 2022

web apr 19 2023 teejay mathematics national curriculum year 3 sec 2 11 downloaded from uniport edu ng on april 19 2023 by guest primary maths for scotland textbook 2c for curriculum for excellence primary maths primary maths for scotland craig lowther 2021 05 17 primary maths for scotland textbook 2c is the third of 3 second level

teejay mathematics national curriculum year 3 sec pdf - May 12 2023

web teejay mathematics national curriculum year 3 sec teejay sqa national 4 applications of mathematics mathematics mathematics national curriculum mathematics new national framework mathematics 8 pupil s book teejay national 5 mathematics mathematics teejay mathematics key stage 3 national curriculum

teejay mathematics national curriculum year 3 sec pdf - Jul 02 2022

web teejay mathematics national curriculum year 3 sec bold ventures computational experiment approach to advanced secondary mathematics curriculum mathematics for curriculum leaders handbook of research on science education teejay literacy and english cfe first level book 1c mathematics teejay mathematics national

teejay maths digital resources hodder gibson - Aug 15 2023

web at teejay maths we want to support teachers and pupils with home schooling remote learning as much as we can so we ve created a brand new digital library which contains etextbook versions of all teejay textbooks pdf versions of homework assessment and support packs all schools parents and pupils are able to purchase resources from the

[hariyali teej 2021 when is teej date time significance and 5 teej](#) - Dec 27 2021

web aug 11 2021 hariyali teej 2021 date and time hariyali teej is celebrated on the third day after the full moon in the month of shravan as per hindu calender this year hariyali teej falls on august 11 2021 tithi begins 06 05 pm on august 10 2021 tithi ends 04 53 pm on aug 11 2021

first jazz songs easy jazz play along volume 1 first jass songs - Jul 20 2023

web first jazz songs easy jazz play along volume 1 first jass songs by hal leonard corp may 31st 2020 wele to toplayalong free sheet music for violin flute and recorder all scores have 3 audio files full music just the piano acpaniment to play along and a slow version to play along 3 easy jazz songs for people who don t play jazz

partitions easy jazz play along volume 1 first jazz songs - Apr 05 2022

web 28 99 description easy jazz play along volume 1 first jazz songs improvising is easier than ever with this new series for beginning jazz musicians the hal leonard easy jazz play along series includes songs with accessible chord changes and features recordings with songlist all of me all the things you are autumn leaves c jam blues

first jazz songs songbook easy jazz play along volume 1 - Dec 13 2022

web volume 1 includes 18 songs all of me all the things you are autumn leaves c jam blues the girl from ipanema garota de ipanema on green dolphin street satin doll there will never be another you and more read more part of series hal leonard jazz play along print length 112 pages language english sticky notes not enabled publisher

first jazz songs songbook easy jazz play along volume 1 volume 1 - Mar 16 2023

web first jazz songs songbook easy jazz play along volume 1 volume 1 ebook written by hal leonard corp read this book using google play books app on your pc android ios devices download for offline reading highlight bookmark or take notes while you read first jazz songs songbook easy jazz play along volume 1 volume 1

easy jazz play along series hal leonard - Jun 19 2023

web easy jazz play along series improvising is easier than ever with this new series for beginning jazz musicians the hal leonard easy jazz play along series includes songs with accessible chord changes and features recordings with novice friendly tempos

first jazz songs buy now in the stretta sheet music shop - Apr 17 2023

web volume 1 includes 18 songs all of me all the things you are autumn leaves c jam blues the girlfrom ipanema garôta de ipanema on green dolphin street satin doll there will never be another you and more audio is accessed online using the unique code inside the book and can be streamed or downloaded

first jazz songs easy jazz play along volume 1 book online - Mar 04 2022

web first jazz songs easy jazz play along volume 1 book online audio easy jazz play along improvising is easier than ever with this new series for beginning jazz musicians the hal leonard easy jazz play along series includes songs with accessible chord changes and features recordings with novice friendly tempos

first jazz songs songbook easy jazz play along volume 1 - May 06 2022

web feb 1 2012 volume 1 includes 18 songs all of me all the things you are autumn leaves c jam blues the girl from ipanema

garota de ipanema on green dolphin street satin doll there will never be another you and more read more part of series hal leonard jazz play along print length 112 pages language english sticky notes not

[first jazz songs songbook easy jazz play along volume 1](#) - Feb 03 2022

web first jazz songs songbook easy jazz play along volume 1 english edition ebook hal leonard corporation amazon de kindle shop

sheet music easy jazz play along volume 1 first jazz songs - Aug 09 2022

web 28 99 description easy jazz play along volume 1 first jazz songs improvising is easier than ever with this new series for beginning jazz musicians the hal leonard easy jazz play along series includes songs with accessible chord changes and features recordings with songlist all of me all the things you are autumn leaves c jam blues

first jazz songs easy jazz play along volume 1 sheet music easy - Aug 21 2023

web volume 1 includes 18 songs all of me all the things you are autumn leaves c jam blues the girl from ipanema garôta de ipanema on green dolphin street satin doll there will never be another you and more audio is accessed online using the unique code inside the book and can be streamed or downloaded

[first jazz songs easy jazz play along volume 1 paperback](#) - Nov 12 2022

web volume 1 includes 18 songs all of me all the things you are autumn leaves c jam blues the girl from ipanema garota de ipanema on green dolphin street satin doll there will never be another you and more audio is accessed online using the unique code inside the book and can be streamed or downloaded

[first jazz songs easy jazz play along volume 1 fi full pdf](#) - Jan 02 2022

web real book play along this usb stick includes backing tracks for 240 songs from the real book volume 1 so you can play along with a real rhythm section piano bass and drums professionally recorded for these products schwann 1 records tapes

1977 wayne shorter songbook wayne shorter 2003 11 01 jazz play along

[first jazz songs easy jazz play along volume 1 paperback](#) - Jan 14 2023

web buy first jazz songs easy jazz play along volume 1 by hal leonard publishing corporation online on amazon ae at best prices fast and free shipping free returns cash on delivery available on eligible purchase

first jazz songs sheet music plus - Feb 15 2023

web first jazz songs by various softcover audio online sheet music for bass clef instruments bb instruments c instruments eb instruments buy print music hl 843225 sheet music plus

[first jazz songs vol 1 easy jazz play along volume 1 by hal](#) - Jun 07 2022

web find many great new used options and get the best deals for first jazz songs vol 1 easy jazz play along volume 1 by hal leonard corp staff 2012 trade paperback mixed media at the best online prices at ebay free shipping for many products

first jazz songs easy jazz play along various - Sep 10 2022

web various composers first jazz songs easy jazz play along paperback book cd package bb eb bass clef and c instruments and thousands more titles ejazzlines has the best selection and prices of jazz in the world first jazz songs easy jazz play along easy jazz play along volume 1

first jazz songs easy jazz play along volume 1 book online - May 18 2023

web feb 1 2012 the hal leonard easy jazz play along series includes songs with accessible chord changes and features recordings with novice friendly tempos just follow the streamlined lead sheets in the book and play along with the professionally recorded backing tracks on the audio

hal leonard easy jazz play along vol 1 first jazz songs - Jul 08 2022

web find hal leonard easy jazz play along vol 1 first jazz songs books and methods hal leonard easy jazz play alongs and more at welcome to marina music

hal leonard first jazz songs jazz play along series book easy jazz - Oct 11 2022

web hal leonard first jazz songs jazz play along series book easy jazz play along volume 1 hal leonard corp amazon com au books