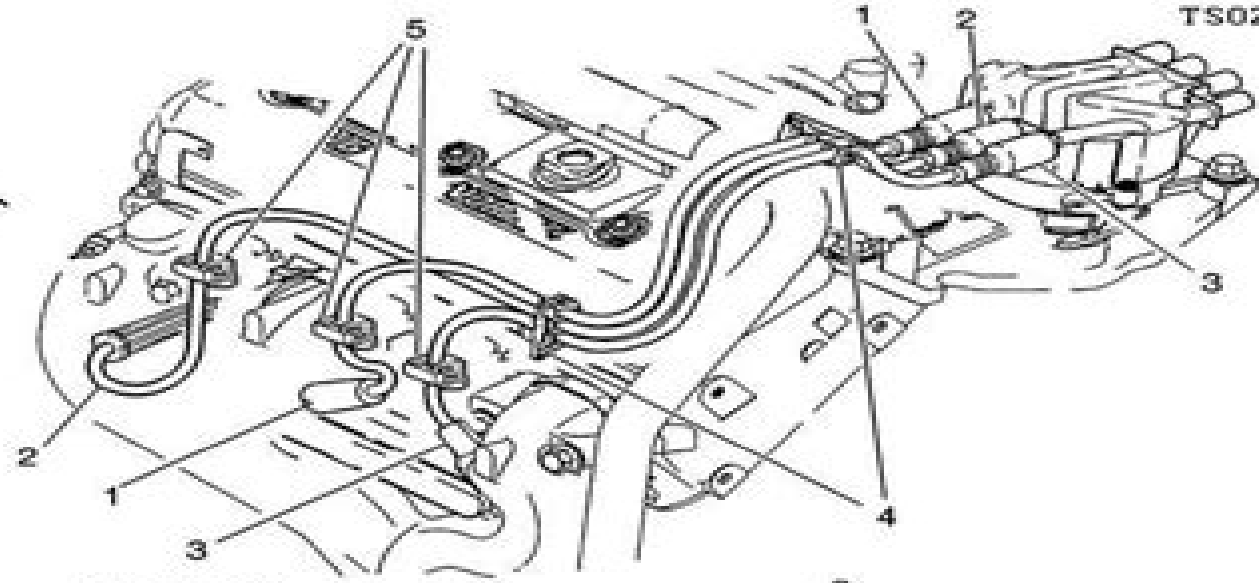
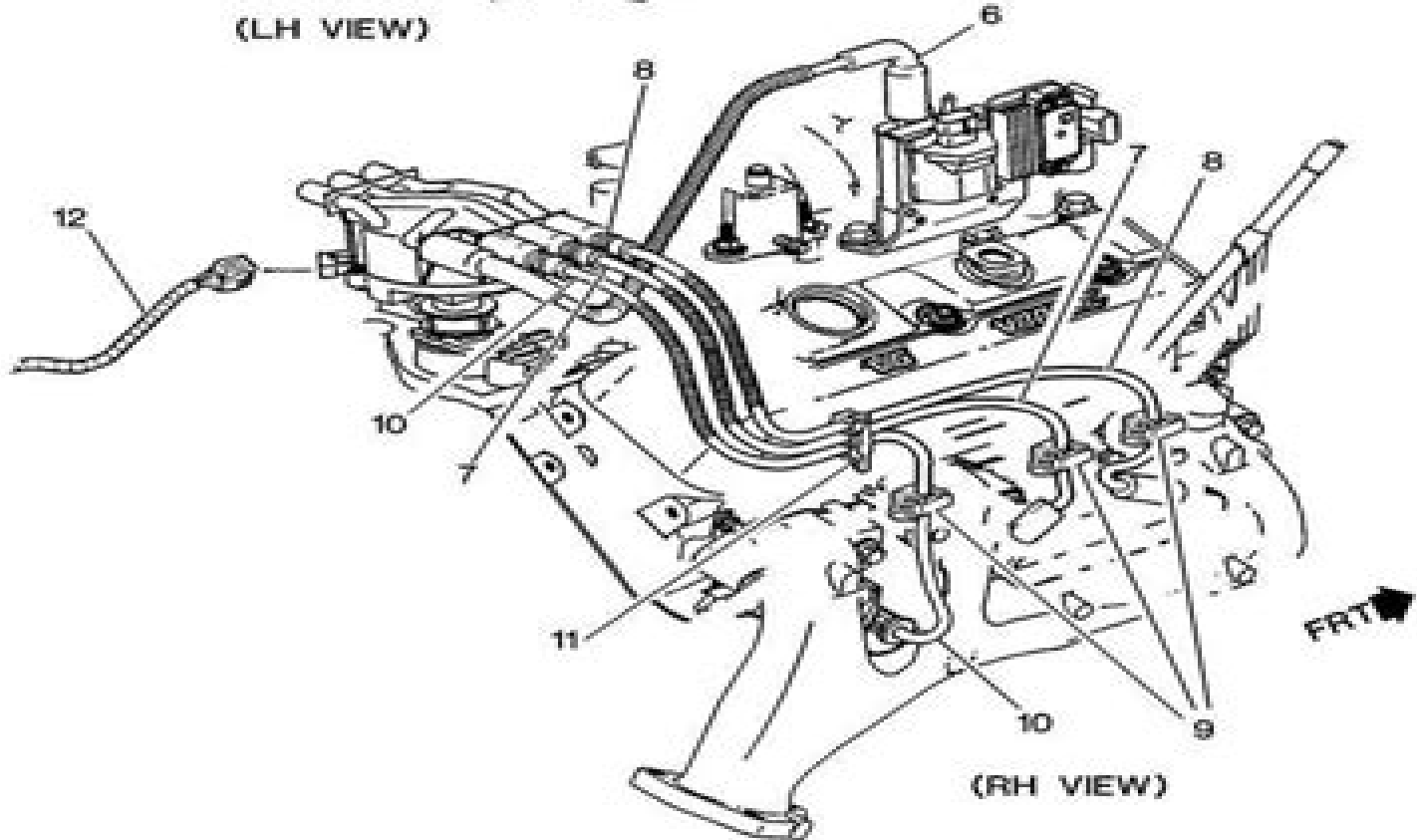


FRT ←



(LH VIEW)



(RH VIEW)



Chevy S10 V6 Engine Diagram

AW Rasmussen



Chevy S10 V6 Engine Diagram:

Popular Mechanics ,1977-02 Popular Mechanics inspires instructs and influences readers to help them master the modern world Whether it s practical DIY home improvement tips gadgets and digital technology information on the newest cars or the latest breakthroughs in science PM is the ultimate guide to our high tech lifestyle *Popular Mechanics* ,1977-06 Popular Mechanics inspires instructs and influences readers to help them master the modern world Whether it s practical DIY home improvement tips gadgets and digital technology information on the newest cars or the latest breakthroughs in science PM is the ultimate guide to our high tech lifestyle **Popular Science** ,1977-04 Popular Science gives our readers the information and tools to improve their technology and their world The core belief that Popular Science and our readers share The future is going to be better and science and technology are the driving forces that will help make it better *Popular Science* ,1977-05 Popular Science gives our readers the information and tools to improve their technology and their world The core belief that Popular Science and our readers share The future is going to be better and science and technology are the driving forces that will help make it better Popular Science ,1977-02 Popular Science gives our readers the information and tools to improve their technology and their world The core belief that Popular Science and our readers share The future is going to be better and science and technology are the driving forces that will help make it better Popular Mechanics ,1977-04 Popular Mechanics inspires instructs and influences readers to help them master the modern world Whether it s practical DIY home improvement tips gadgets and digital technology information on the newest cars or the latest breakthroughs in science PM is the ultimate guide to our high tech lifestyle **Popular Science** ,1976-12 Popular Science gives our readers the information and tools to improve their technology and their world The core belief that Popular Science and our readers share The future is going to be better and science and technology are the driving forces that will help make it better **Popular Science** ,1977-09 Popular Science gives our readers the information and tools to improve their technology and their world The core belief that Popular Science and our readers share The future is going to be better and science and technology are the driving forces that will help make it better Chevy Small-Block V-8 Interchange Manual David Lewis,2009-04-15 The small block Chevrolet engine is the most popular engine in the world among performance enthusiasts and racers But with its popularity come certain problems its more than 45 years of production have led to countless permutations making modification or repair a confusing proposition This book makes sense of that confusion for anyone working on a small block Chevy engine The most complete encyclopedia ever assembled cataloging all 1968 to 2000 small block Chevrolet V 8 engines this manual includes more than 25 000 part numbers specs dates and technical details on engine blocks heads valves crankshafts camshafts pistons manifolds ignition systems emission systems computer controls motor mounts and more More than 300 photos diagrams charts and tables reference all available Chevy equipment and its interchange uses Filled with advice on which parts work best for special applications and tips on

component selection this book is the essential tool for anyone with a small block Chevy engine *Chevy S-10 Blazer - S-15 Jimmy, 1982-95* Chilton Automotive Books, Chilton Automotive Editorial Staff, The Nichols/Chilton, 1995-05 Covers all models of Chevy S10 Blazer GMC S15 Jimmy Typhoon and Oldsmobile Bravada 2 and 4 wheel drive gasoline and diesel engines

Eventually, you will definitely discover a other experience and execution by spending more cash. still when? pull off you consent that you require to get those every needs next having significantly cash? Why dont you try to get something basic in the beginning? Thats something that will guide you to understand even more going on for the globe, experience, some places, later history, amusement, and a lot more?

It is your unconditionally own get older to be active reviewing habit. accompanied by guides you could enjoy now is **Chevy S10 V6 Engine Diagram** below.

<https://py.bijouxmedusa.com/About/detail/HomePages/Kumon%20Answer%20Book%20Level%20E%20Math.pdf>

Table of Contents Chevy S10 V6 Engine Diagram

1. Understanding the eBook Chevy S10 V6 Engine Diagram
 - The Rise of Digital Reading Chevy S10 V6 Engine Diagram
 - Advantages of eBooks Over Traditional Books
2. Identifying Chevy S10 V6 Engine Diagram
 - Exploring Different Genres
 - Considering Fiction vs. Non-Fiction
 - Determining Your Reading Goals
3. Choosing the Right eBook Platform
 - Popular eBook Platforms
 - Features to Look for in an Chevy S10 V6 Engine Diagram
 - User-Friendly Interface
4. Exploring eBook Recommendations from Chevy S10 V6 Engine Diagram
 - Personalized Recommendations
 - Chevy S10 V6 Engine Diagram User Reviews and Ratings
 - Chevy S10 V6 Engine Diagram and Bestseller Lists
5. Accessing Chevy S10 V6 Engine Diagram Free and Paid eBooks

- Chevy S10 V6 Engine Diagram Public Domain eBooks
 - Chevy S10 V6 Engine Diagram eBook Subscription Services
 - Chevy S10 V6 Engine Diagram Budget-Friendly Options
6. Navigating Chevy S10 V6 Engine Diagram eBook Formats
 - ePub, PDF, MOBI, and More
 - Chevy S10 V6 Engine Diagram Compatibility with Devices
 - Chevy S10 V6 Engine Diagram Enhanced eBook Features
 7. Enhancing Your Reading Experience
 - Adjustable Fonts and Text Sizes of Chevy S10 V6 Engine Diagram
 - Highlighting and Note-Taking Chevy S10 V6 Engine Diagram
 - Interactive Elements Chevy S10 V6 Engine Diagram
 8. Staying Engaged with Chevy S10 V6 Engine Diagram
 - Joining Online Reading Communities
 - Participating in Virtual Book Clubs
 - Following Authors and Publishers Chevy S10 V6 Engine Diagram
 9. Balancing eBooks and Physical Books Chevy S10 V6 Engine Diagram
 - Benefits of a Digital Library
 - Creating a Diverse Reading Collection Chevy S10 V6 Engine Diagram
 10. Overcoming Reading Challenges
 - Dealing with Digital Eye Strain
 - Minimizing Distractions
 - Managing Screen Time
 11. Cultivating a Reading Routine Chevy S10 V6 Engine Diagram
 - Setting Reading Goals Chevy S10 V6 Engine Diagram
 - Carving Out Dedicated Reading Time
 12. Sourcing Reliable Information of Chevy S10 V6 Engine Diagram
 - Fact-Checking eBook Content of Chevy S10 V6 Engine Diagram
 - Distinguishing Credible Sources
 13. Promoting Lifelong Learning
 - Utilizing eBooks for Skill Development

- Exploring Educational eBooks
14. Embracing eBook Trends
- Integration of Multimedia Elements
 - Interactive and Gamified eBooks

Chevy S10 V6 Engine Diagram Introduction

In this digital age, the convenience of accessing information at our fingertips has become a necessity. Whether its research papers, eBooks, or user manuals, PDF files have become the preferred format for sharing and reading documents. However, the cost associated with purchasing PDF files can sometimes be a barrier for many individuals and organizations. Thankfully, there are numerous websites and platforms that allow users to download free PDF files legally. In this article, we will explore some of the best platforms to download free PDFs. One of the most popular platforms to download free PDF files is Project Gutenberg. This online library offers over 60,000 free eBooks that are in the public domain. From classic literature to historical documents, Project Gutenberg provides a wide range of PDF files that can be downloaded and enjoyed on various devices. The website is user-friendly and allows users to search for specific titles or browse through different categories. Another reliable platform for downloading Chevy S10 V6 Engine Diagram free PDF files is Open Library. With its vast collection of over 1 million eBooks, Open Library has something for every reader. The website offers a seamless experience by providing options to borrow or download PDF files. Users simply need to create a free account to access this treasure trove of knowledge. Open Library also allows users to contribute by uploading and sharing their own PDF files, making it a collaborative platform for book enthusiasts. For those interested in academic resources, there are websites dedicated to providing free PDFs of research papers and scientific articles. One such website is Academia.edu, which allows researchers and scholars to share their work with a global audience. Users can download PDF files of research papers, theses, and dissertations covering a wide range of subjects. Academia.edu also provides a platform for discussions and networking within the academic community. When it comes to downloading Chevy S10 V6 Engine Diagram free PDF files of magazines, brochures, and catalogs, Issuu is a popular choice. This digital publishing platform hosts a vast collection of publications from around the world. Users can search for specific titles or explore various categories and genres. Issuu offers a seamless reading experience with its user-friendly interface and allows users to download PDF files for offline reading. Apart from dedicated platforms, search engines also play a crucial role in finding free PDF files. Google, for instance, has an advanced search feature that allows users to filter results by file type. By specifying the file type as "PDF," users can find websites that offer free PDF downloads on a specific topic. While downloading Chevy S10 V6 Engine Diagram free PDF files is convenient, its important to note that copyright laws must be respected. Always ensure that the PDF files you download are legally

available for free. Many authors and publishers voluntarily provide free PDF versions of their work, but its essential to be cautious and verify the authenticity of the source before downloading Chevy S10 V6 Engine Diagram. In conclusion, the internet offers numerous platforms and websites that allow users to download free PDF files legally. Whether its classic literature, research papers, or magazines, there is something for everyone. The platforms mentioned in this article, such as Project Gutenberg, Open Library, Academia.edu, and Issuu, provide access to a vast collection of PDF files. However, users should always be cautious and verify the legality of the source before downloading Chevy S10 V6 Engine Diagram any PDF files. With these platforms, the world of PDF downloads is just a click away.

FAQs About Chevy S10 V6 Engine Diagram Books

How do I know which eBook platform is the best for me? Finding the best eBook platform depends on your reading preferences and device compatibility. Research different platforms, read user reviews, and explore their features before making a choice. Are free eBooks of good quality? Yes, many reputable platforms offer high-quality free eBooks, including classics and public domain works. However, make sure to verify the source to ensure the eBook credibility. Can I read eBooks without an eReader? Absolutely! Most eBook platforms offer web-based readers or mobile apps that allow you to read eBooks on your computer, tablet, or smartphone. How do I avoid digital eye strain while reading eBooks? To prevent digital eye strain, take regular breaks, adjust the font size and background color, and ensure proper lighting while reading eBooks. What the advantage of interactive eBooks? Interactive eBooks incorporate multimedia elements, quizzes, and activities, enhancing the reader engagement and providing a more immersive learning experience. Chevy S10 V6 Engine Diagram is one of the best book in our library for free trial. We provide copy of Chevy S10 V6 Engine Diagram in digital format, so the resources that you find are reliable. There are also many Ebooks of related with Chevy S10 V6 Engine Diagram. Where to download Chevy S10 V6 Engine Diagram online for free? Are you looking for Chevy S10 V6 Engine Diagram PDF? This is definitely going to save you time and cash in something you should think about.

Find Chevy S10 V6 Engine Diagram :

[kumon answer book level e math](#)

land rover discovery 2 td5 workshop manual download

kleinberg tardos algorithm design solutions

jojo s bizarre adventure part 3 stardust crusaders vol 4

**laguiole messer aus frankreich handgefertigte taschenmesser
komatsu 3d82ae 3d84e 3d88e 4d88e 4d98e 4d1 by oohira keishou**

[kidagaa kimemwozea play](#)

[key concept builder answers](#)

[keyboard of digitale piano om piano te leren spelen](#)

[john taylor classical mechanics solutions manual](#)

[landcruiser 105 series repair manual](#)

[kubota r410](#)

la guerra de los cielos volumen 1 2 3 y 4 y epub

[johnson controls sc 9100](#)

[kenexa prove it accounts payable test answers](#)

Chevy S10 V6 Engine Diagram :

la jaula de sal los crímenes del faro 4 penguin libros - Mar 14 2023

web opcional recibir ofertas de nuestros socios

la jaula de sal los crímenes del faro nº 4 spanish edition - Jan 12 2023

web la jaula de sal los crímenes del faro nº 4 spanish edition ebook martín ibon amazon com au kindle store

la jaula de sal los crímenes del faro nº 4 spanish edition - Apr 15 2023

web la jaula de sal los crímenes del faro nº 4 spanish edition edición kindle la jaula de sal los crímenes del faro nº 4 spanish edition edición kindle un salvaje crimen golpea pasaia cuando solo han pasado dos años de la detención del sacamantecas el psicópata que sembró el terror en el pueblo marinero

la jaula de sal los crímenes del faro 4 casa del - Jul 18 2023

web el libro la jaula de sal los crímenes del faro 4 de ibon martin en casa del libro descubre las mejores ofertas y envíos gratis

la jaula de sal los crímenes del faro n 4 2022 wrbb neu - Mar 02 2022

web la jaula de sal los crímenes del faro n 4 1 la jaula de sal los crímenes del faro n 4 when people should go to the ebook stores search start by shop shelf by shelf it is in fact problematic this is why we give the book compilations in this website it will definitely ease you to look guide la jaula de sal los crímenes del faro n 4 as you

[la jaula de sal los crímenes del faro 4 penguin libros](#) - May 16 2023

web compra tus ebooks y audiolibros con el bono cultural no válido para libro físico envío aviso legal inicio eur eur wishlist

[la jaula de sal leire altuna 4 by ibon martín goodreads](#) - Oct 21 2023

web la jaula de sal de ibon martín comienza de un modo desgarrador un nuevo crimen que recuerda a los cometidos por el sacamantecas ha teñido de sangre una vez más el faro de la plata en esta ocasión leire deberá enfrentarse al dolor y al terror para resolver un caso que ha arrasado su vida por completo

la jaula de sal los crímenes del faro n 4 download only - Jun 05 2022

web 4 4 la jaula de sal los crímenes del faro n 4 2022 07 16 encargo que inexplicablemente le llevará a realizar un viaje en el tiempo hacia un lugar recóndito y lejano que acabará removiendo su propio pasado una historia surgida de la tierra y otra con rumbo hacia el mar vidas entrelazadas deseos frustrados esperanzas sepultadas en un

la jaula de sal los crímenes del faro 4 best seller libro de - Jun 17 2023

web novelaa novela ha construido un universo muy especial en el que se mezclan con elegancia todos los tonos del investigación a cargo de un equipo policial perfilación criminal del asesino denuncia de asuntos de actualidad suaves pinceladas de suspense y ambientaciones poderosas que evocan paisajes rurales y leyendas antiguas

[la jaula de sal los crímenes del faro n 4 pdf uniport edu](#) - Apr 03 2022

web mar 14 2023 la jaula de sal los crímenes del faro n 4 2 11 downloaded from uniport edu ng on march 14 2023 by guest narrator the most wrenching of emotional moments are chronicled by a boy who cannot fathom emotions the effect is dazzling making for one of the freshest debut in years a comedy a tearjerker a

[la jaula de sal los crímenes del faro 4 librería agapea](#) - Aug 07 2022

web comprar el libro la jaula de sal los crímenes del faro 4 de ibon martín bolsillo 9788466373524 con envío gratis desde 18 en nuestra librería online agapea com ver opiniones resumen sinopsis del libro

[la jaula de sal los crímenes del faro n 4 full pdf db csda](#) - Jul 06 2022

web la jaula de sal los crímenes del faro n 4 la jaula abierta diana valdés la jaula de cristal el fénix y la tórtola la sopa del soldado la gaitana allí donde recuerda el mar place where the sea remembers cuarzo negro la danza de los tulipanes the dance of the tulips la hora de las gaviotas the hour of the seagulls periquitos la jaula

jaula de sal la vol 4 los crímenes del faro - Oct 09 2022

web un salvaje crimen golpea pasaia cuando solo han pasado dos años de la detención del sacamantecas el psicópata que sembró el terror en el pueblo marinero la elección de la víctima y el lugar el solitario faro de la plata no parecen fruto del azar la inquietante firma que el asesino traza en el cadáver tampoco

lasalle singapore singapore lasallians - May 04 2022

web scroll down to content welcome to the lasallian family in singapore

[ibón martín trilogía orden los crímenes del faro kmeleono](#) - Nov 10 2022

web aug 6 2020 en el primer volumen de esta saga el faro del silencio se nos presenta un crimen de lo más siniestro una mujer aparece asesinada a los pies de un faro en la localidad de pasaia este cadáver tiene cierta peculiaridad la grasa

la jaula de sal los crímenes del faro nº 4 versión kindle - Sep 20 2023

web un salvaje crimen golpea pasaia cuando solo han pasado dos años de la detención del sacamantecas el psicópata que sembró el terror en el pueblo marinero la elección de la víctima y el lugar el solitario faro de la plata no parecen fruto del azar la inquietante firma que el asesino traza en el cadáver tampoco

la jaula de sal los crímenes del faro nº 4 spanish edition - Aug 19 2023

web jan 21 2018 la jaula de sal los crímenes del faro nº 4 spanish edition kindle edition by martín ibon download it once and read it on your kindle device pc phones or tablets use features like bookmarks note taking and highlighting while reading la jaula de sal los crímenes del faro nº 4 spanish edition

la jaula de sal los crímenes del faro nº 4 spanish edition - Sep 08 2022

web compre o ebook la jaula de sal los crímenes del faro nº 4 spanish edition de martín ibon na loja ebooks kindle encuentre ofertas os livros mais vendidos e dicas de leitura na amazon brasil

la jaula de sal los crímenes del faro 4 9788466373524 - Dec 11 2022

web 9788466373524 la jaula de sal los crímenes del faro 4 9788466373524 hemos cambiado la manera de especificar direcciones para mejorar nuestro servicio en los pedidos debe revisar sus direcciones y guardar los cambios

la jaula de sal los crímenes del faro 4 el corte inglés - Feb 13 2023

web más información sobre gastos de envío calculando la fecha de entrega entrega en tu domicilio antes del jueves 25 de enero en españa peninsular ver condiciones entrega en tu domicilio el jueves 25 de enero en españa peninsular librería dispone de 15 días desde la entrega con la

cinderella national operatic and dramatic association - Jan 07 2023

web cinderella national operatic and dramatic association en english deutsch français español português italiano român nederlands latina dansk svenska norsk

cinderella tv series wikipedia - Oct 24 2021

web cinderella シンデレラ shinderera monogatari the story of cinderella is an italian japanese 1996 anime television series based on the fairytale of the same name by

national operatic dramatic association peterborough - Jan 27 2022

web national operatic dramatic association peterborough 5 407 likes 92 talking about this 10 were here noda provides help advice and support to enable amateur theatre

cinderella national operatic and dramatic association - Oct 04 2022

web cinderella national operatic and dramatic association en english deutsch français español português italiano român
nederlands latina dansk svenska norsk

cinderella national operatic and dramatic association - Mar 29 2022

web cinderella national operatic and dramatic association en english deutsch français español português italiano român
nederlands latina dansk svenska norsk

cinderella noda - Jun 12 2023

web national operatic and dramatic association 15 the metro centre peterborough cambridgeshire pe2 7uh registered charity
no 1171216 registered company no

cinderella national operatic and dramatic association - Apr 10 2023

web cinderella national operatic and dramatic association

cinderella national operatic and dramatic association - Apr 29 2022

web cinderella national operatic and dramatic association en english deutsch français español português italiano român
nederlands latina dansk svenska norsk

national operatic and dramatic association wikipedia - Feb 08 2023

web noda has a membership of 2500 amateur theatre groups and 1000 individual enthusiasts throughout the uk staging
musicals operas plays concerts and pantomimes in a wide

[cinderella national operatic and dramatic association](#) - Jul 01 2022

web cinderella national operatic and dramatic association en english deutsch français español português italiano român
nederlands latina dansk svenska norsk

cinderella 2021 american film wikipedia - Nov 05 2022

web cinderella is a 2021 romantic musical film based on the fairy tale of the same name by charles perrault written and
directed by kay cannon it stars singer camila cabello as

cinderella definition meaning dictionary com - Dec 26 2021

web cinderella definition a heroine of a fairy tale or folk tale who is maltreated by a malevolent stepmother but achieves
happiness and marries a prince through the benevolent

cinderella national operatic and dramatic association - Sep 03 2022

web cinderella national operatic and dramatic association en english deutsch français español português italiano român
nederlands latina dansk svenska norsk

[cinderella national operatic and dramatic association](#) - May 31 2022

web cinderella national operatic and dramatic association en english deutsch français español português italiano român

nederlands latina dansk svenska norsk

cinderella national operatic and dramatic association - Feb 25 2022

web cinderella national operatic and dramatic association en english deutsch français español português italiano român

nederlands latina dansk svenska norsk

opera domani la cenerentola opera education - Sep 22 2021

web dal 1996 per il pubblico dai 6 ai 14 anni per la stagione 2021 2022 opera education aslico insieme ai suoi partner

coproduttori théâtre des champs elysées e opéra de

cinderella noda - Jul 13 2023

web national operatic and dramatic association 15 the metro centre peterborough cambridgeshire pe2 7uh registered charity

no 1171216 registered company no

cinderella definition meaning merriam webster - Nov 24 2021

web cinderella noun one resembling the fairy tale cinderella such as one suffering undeserved neglect one suddenly lifted

from obscurity to honor or significance

cinderella noda - May 11 2023

web national operatic and dramatic association 15 the metro centre peterborough cambridgeshire pe2 7uh registered charity

no 1171216 registered company no

cinderella noda - Mar 09 2023

web noda award winning pantomime society newton amateur dramatic operatic society nados are back on the stage this

week with their 2022 pantomime cinderella oh

[cinderella national operatic and dramatic association](#) - Aug 02 2022

web cinderella national operatic and dramatic association en english deutsch français español português italiano român

nederlands latina dansk svenska norsk

cinderella national operatic and dramatic association - Dec 06 2022

web cinderella national operatic and dramatic association en english deutsch français español português italiano român

nederlands latina dansk svenska norsk

noda - Aug 14 2023

web national operatic and dramatic association 15 the metro centre peterborough cambridgeshire pe2 7uh registered charity

no 1171216 registered company no

[block library in autocad download cad free 14 87 mb bibliocad](#) - Mar 06 2022

web collection of easy drawing blocks for autocad library furniture and equipments assorted furniture download dwg free 14

87 mb 537 2k views

[a library of downloadable architecture drawings in dwg format](#) - Nov 14 2022

web jun 1 2017 archweb provides a number of free cad blocks downloadable cad plans and dwg files for you to study or use in precedent research from furniture to north arrows road detailing to room layouts

[autocad archives of library office dwg dwgdownload com](#) - Oct 13 2022

web the bulk of the dwg models is absolutely free for download to work with the dwg files presented on our website we recommend you to use autocad platform 2007 and later versions usually in our library files contain 2d or 3d drawings

[library in autocad download cad free 219 81 kb bibliocad](#) - Nov 02 2021

web download cad block in dwg development of a technical file of a library with its respective graphic pieces contains plants and elevations 219 81 kb

library dwg plan for autocad designs cad - Aug 11 2022

web drawing labels details and other text information extracted from the cad file parking area site plan main entrance general reading room librarian room store room academic staff room periodical reading room reference section online library digital library ups room mgr room academic staff room librarian room periodical reading

[public library dwg plan in autocad download free cad plan](#) - Dec 15 2022

web mar 2 2021 in this project we have provided a complete public library dwg plan in autocad the project includes site plan floor plans furniture 2 sections and 4 elevation spaces entrance hall lobby gallery conference hall library library bookshelves study hall digital searches books archive books storage office meeting

[library plan dwg floor plans elevations and sections](#) - Mar 18 2023

web jun 25 2020 library plan dwg floor plans elevations and sections this library cad project is editable dwg file estimate library dimensions 30 30 m library plan dwg includes site plan ground and first floor plans library furniture plan west elevation and east elevation a a section and b b section sample library floor plan library

[dwg models download free cad blocks autocad drawings](#) - Apr 07 2022

web cad library of useful 2d cad blocks dwgmodels com is a community of architects designers manufacturers students and a useful cad library of high quality and unique dwg blocks in our database you can download autocad drawings of furniture cars people architectural elements symbols for free and use them in the cad designs of

[library in autocad download cad free 6 15 mb bibliocad](#) - Jun 21 2023

web library projects educational institution buildings download dwg free 6 15 mb design project for a two level public library includes planimetry architectural plan of the levels sections facades details structures facilities external perspective of the whole

library dwg plan draw space - Feb 05 2022

web sep 27 2022 download this free cad drawing of library building plan and elevation views this dwg block can be used in your interior design models caddblocksfree com cad

[school library in autocad download cad free 598 32 kb bibliocad](#) - Feb 17 2023

web library projects educational institution buildings download dwg free 598 32 kb library project in school modeled in 2d contains plants section and facade

[digital library plan in autocad dwg file grabcad](#) - Jan 16 2023

web aug 13 2020 designing a complete digital library project by inexperienced architecture students brings many difficulties in this project we have provided a complete architecture digital library plan in autocad this file is dwg editable cad project thanks for freecadplan com

public library design cad dwg detail plan n design - Jun 09 2022

web oct 19 2022 library public library design cad dwg detail autocad design by ruksardeepkaur16 58315 autocad drawing of a public library got areas like a books lending counter deposit area reading area manager cabin and washrooms the cad drawing accommodates layout plan and building elevations download drawing size

[library building dwg thousands of free cad blocks](#) - Apr 19 2023

web nov 30 2019 free download general information published november 30 2019 details model specifications review download this free cad drawing of library building plan and elevation views this dwg block can be used in your interior design models

[public library in autocad download cad free 2 19 mb bibliocad](#) - Sep 24 2023

web this public library is a very contemporary indian public library in this forum project function and edutainment environment of building exterior and interior creating a silent and intelligent library environment they are the 3 level floors with parking auditoriums and different rooms 2 19 mb

download cad blocks in dwg bibliocad - Jan 04 2022

web 900 hatch dwg 943 4k 2d autocad blocks dwg 880 8k sheet formats a1 a2 a3 a4 dwg 571 2k elevator blocks plans dwg 569k block library dwg 537 3k elevation of office furniture dwg 512k door dwg 456 6k installation in home dwg 439 8k spiral staircase dwg 433 4k gym equipments dwg 390 1k house of two plants dwg

library plan scheme autocad free dwg cadsample com - Jul 10 2022

web oct 7 2015 library plan scheme autocad library residential detailed drawings in autocad please wait for download oct 7 2015 autocad architectural dwg free dwg 8 451 car parking autocad drawing 2 3d drawing of hydroelectric power plant turbines library plan scheme autocad library residential detailed drawings in autocad

world biggest free autocad library access free entire cad library - May 08 2022

web download free autocad drawings of architecture interiors designs landscaping constructions detail civil engineer drawings and detail house plan buildings plan cad blocks 3d blocks and sections dwg files

autocad block library cad files free download dwg models - Dec 03 2021

web autocad block library we have collected the best drawings cad files will be happy if we make things simple our dear friends we are pleased to welcome you in our rubric library blocks in dwg format here you will find a huge number of different drawings necessary for your projects in 2d format created in autocad by our best specialists

digital library plan in autocad dwg file grabcad - Sep 12 2022

web aug 13 2020 digital library plan in autocad dwg file jabar sink august 13th 2020 today there are numerous libraries around the world that offer a variety of books in a variety of fields

public library dwg world biggest free autocad library access - Aug 23 2023

web access free entire cad library dwg files download free autocad drawings of architecture interiors designs landscaping constructions detail civil engineer drawings and detail house plan buildings plan cad blocks 3d blocks and sections home architecture urban cad drawings public library dwg public library dwg tags

bibliocad free cad blocks download 120k blocks dwg rvt - Jul 22 2023

web we are the most comprehensive library of the international professional community for download and exchange of cad and bim blocks a database designed to support your professional work here you can download and exchange autocad blocks and bim 2d and 3d objects applicable to design and construction industry library

library 01 drawings archweb - May 20 2023

web pay 1 and download 1 download 0 24mb description small library with a circular shape 1 100 scale dwg file meters conversion from meters to feet a fast and fairly accurate system consists in scaling the drawing by multiplying the value of the unit of measurement in meters by 3 281 details libraries cultural centers mediatheques format dwg