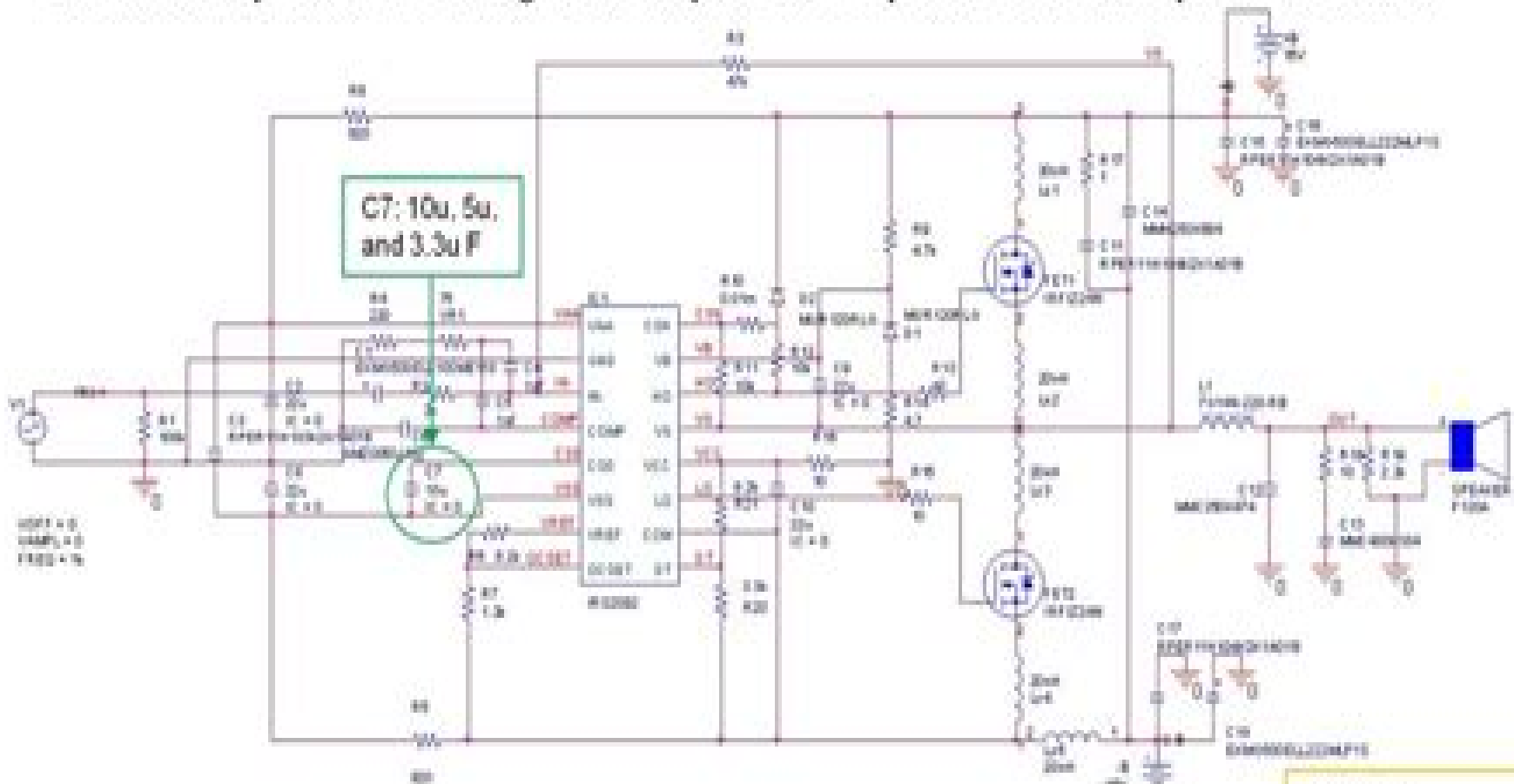


Start-up sequencing is achieved through the charging of the CSD voltage (C7). Simulation will show how capacitors are charged to complete the sequence for each capacitance value.



C7: 10u, 5u,  
and 3.3u F

**Analysis**

Time Domain (Transient)

Run to time: 975ms

Start saving data after: 100n

Maximum step size: 100u

Skip the initial transient bias point calculation (SKIPBP)

.Options  
 RELTOL: 0.01  
 VNTOL: 1.0u  
 ABSTOL: 1n  
 CHGTOL: 0.01p  
 GMIN: 1.0E-12  
 ITL1: 500  
 ITL2: 200  
 ITL4: 10

# Class D Amplifier Design Basics I International Rectifier

**Marcel A. Müller**



## **Class D Amplifier Design Basics Ii International Rectifier:**

The Enthralling Realm of Kindle Books: A Comprehensive Guide Revealing the Pros of Kindle Books: A World of Ease and Versatility E-book books, with their inherent portability and ease of access, have liberated readers from the limitations of hardcopy books. Gone are the days of lugging cumbersome novels or carefully searching for particular titles in shops. E-book devices, stylish and lightweight, seamlessly store an wide library of books, allowing readers to indulge in their preferred reads whenever, everywhere. Whether traveling on a busy train, lounging on a sunny beach, or simply cozying up in bed, Kindle books provide an exceptional level of convenience. A Literary World Unfolded: Discovering the Wide Array of Kindle Class D Amplifier Design Basics Ii International Rectifier Class D Amplifier Design Basics Ii International Rectifier The Kindle Store, a digital treasure trove of bookish gems, boasts an wide collection of books spanning varied genres, catering to every readers taste and choice. From gripping fiction and mind-stimulating non-fiction to timeless classics and modern bestsellers, the E-book Store offers an exceptional variety of titles to explore. Whether looking for escape through engrossing tales of fantasy and exploration, delving into the depths of historical narratives, or expanding ones knowledge with insightful works of science and philosophical, the Kindle Shop provides a gateway to a bookish world brimming with endless possibilities. A Revolutionary Factor in the Literary Scene: The Lasting Impact of Kindle Books Class D Amplifier Design Basics Ii International Rectifier The advent of Kindle books has undoubtedly reshaped the literary scene, introducing a model shift in the way books are released, disseminated, and read. Traditional publishing houses have embraced the online revolution, adapting their approaches to accommodate the growing demand for e-books. This has led to a rise in the availability of E-book titles, ensuring that readers have entry to a vast array of bookish works at their fingertips. Moreover, Kindle books have democratized entry to literature, breaking down geographical limits and providing readers worldwide with similar opportunities to engage with the written word. Irrespective of their location or socioeconomic background, individuals can now immerse themselves in the intriguing world of literature, fostering a global community of readers. Conclusion: Embracing the E-book Experience Class D Amplifier Design Basics Ii International Rectifier Kindle books Class D Amplifier Design Basics Ii International Rectifier, with their inherent ease, versatility, and vast array of titles, have certainly transformed the way we encounter literature. They offer readers the freedom to explore the boundless realm of written expression, anytime, anywhere. As we continue to navigate the ever-evolving online landscape, E-book books stand as testament to the enduring power of storytelling, ensuring that the joy of reading remains accessible to all.

[https://py.bijouxmedusa.com/book/uploaded-files/fetch.php/Messa\\_Di\\_Gloria\\_Mascagni\\_Score.pdf](https://py.bijouxmedusa.com/book/uploaded-files/fetch.php/Messa_Di_Gloria_Mascagni_Score.pdf)

## **Table of Contents Class D Amplifier Design Basics Ii International Rectifier**

1. Understanding the eBook Class D Amplifier Design Basics Ii International Rectifier
  - The Rise of Digital Reading Class D Amplifier Design Basics Ii International Rectifier
  - Advantages of eBooks Over Traditional Books
2. Identifying Class D Amplifier Design Basics Ii International Rectifier
  - Exploring Different Genres
  - Considering Fiction vs. Non-Fiction
  - Determining Your Reading Goals
3. Choosing the Right eBook Platform
  - Popular eBook Platforms
  - Features to Look for in an Class D Amplifier Design Basics Ii International Rectifier
  - User-Friendly Interface
4. Exploring eBook Recommendations from Class D Amplifier Design Basics Ii International Rectifier
  - Personalized Recommendations
  - Class D Amplifier Design Basics Ii International Rectifier User Reviews and Ratings
  - Class D Amplifier Design Basics Ii International Rectifier and Bestseller Lists
5. Accessing Class D Amplifier Design Basics Ii International Rectifier Free and Paid eBooks
  - Class D Amplifier Design Basics Ii International Rectifier Public Domain eBooks
  - Class D Amplifier Design Basics Ii International Rectifier eBook Subscription Services
  - Class D Amplifier Design Basics Ii International Rectifier Budget-Friendly Options
6. Navigating Class D Amplifier Design Basics Ii International Rectifier eBook Formats
  - ePub, PDF, MOBI, and More
  - Class D Amplifier Design Basics Ii International Rectifier Compatibility with Devices
  - Class D Amplifier Design Basics Ii International Rectifier Enhanced eBook Features
7. Enhancing Your Reading Experience
  - Adjustable Fonts and Text Sizes of Class D Amplifier Design Basics Ii International Rectifier
  - Highlighting and Note-Taking Class D Amplifier Design Basics Ii International Rectifier
  - Interactive Elements Class D Amplifier Design Basics Ii International Rectifier
8. Staying Engaged with Class D Amplifier Design Basics Ii International Rectifier

- Joining Online Reading Communities
  - Participating in Virtual Book Clubs
  - Following Authors and Publishers Class D Amplifier Design Basics Ii International Rectifier
9. Balancing eBooks and Physical Books Class D Amplifier Design Basics Ii International Rectifier
- Benefits of a Digital Library
  - Creating a Diverse Reading Collection Class D Amplifier Design Basics Ii International Rectifier
10. Overcoming Reading Challenges
- Dealing with Digital Eye Strain
  - Minimizing Distractions
  - Managing Screen Time
11. Cultivating a Reading Routine Class D Amplifier Design Basics Ii International Rectifier
- Setting Reading Goals Class D Amplifier Design Basics Ii International Rectifier
  - Carving Out Dedicated Reading Time
12. Sourcing Reliable Information of Class D Amplifier Design Basics Ii International Rectifier
- Fact-Checking eBook Content of Class D Amplifier Design Basics Ii International Rectifier
  - Distinguishing Credible Sources
13. Promoting Lifelong Learning
- Utilizing eBooks for Skill Development
  - Exploring Educational eBooks
14. Embracing eBook Trends
- Integration of Multimedia Elements
  - Interactive and Gamified eBooks

### **Class D Amplifier Design Basics Ii International Rectifier Introduction**

Class D Amplifier Design Basics Ii International Rectifier Offers over 60,000 free eBooks, including many classics that are in the public domain. Open Library: Provides access to over 1 million free eBooks, including classic literature and contemporary works. Class D Amplifier Design Basics Ii International Rectifier Offers a vast collection of books, some of which are available for free as PDF downloads, particularly older books in the public domain. Class D Amplifier Design Basics Ii International Rectifier : This website hosts a vast collection of scientific articles, books, and textbooks. While it operates in a legal gray area due to copyright issues, its a popular resource for finding various publications. Internet Archive for Class D Amplifier

Design Basics Ii International Rectifier : Has an extensive collection of digital content, including books, articles, videos, and more. It has a massive library of free downloadable books. Free-eBooks Class D Amplifier Design Basics Ii International Rectifier Offers a diverse range of free eBooks across various genres. Class D Amplifier Design Basics Ii International Rectifier Focuses mainly on educational books, textbooks, and business books. It offers free PDF downloads for educational purposes. Class D Amplifier Design Basics Ii International Rectifier Provides a large selection of free eBooks in different genres, which are available for download in various formats, including PDF. Finding specific Class D Amplifier Design Basics Ii International Rectifier, especially related to Class D Amplifier Design Basics Ii International Rectifier, might be challenging as theyre often artistic creations rather than practical blueprints. However, you can explore the following steps to search for or create your own Online Searches: Look for websites, forums, or blogs dedicated to Class D Amplifier Design Basics Ii International Rectifier, Sometimes enthusiasts share their designs or concepts in PDF format. Books and Magazines Some Class D Amplifier Design Basics Ii International Rectifier books or magazines might include. Look for these in online stores or libraries. Remember that while Class D Amplifier Design Basics Ii International Rectifier, sharing copyrighted material without permission is not legal. Always ensure youre either creating your own or obtaining them from legitimate sources that allow sharing and downloading. Library Check if your local library offers eBook lending services. Many libraries have digital catalogs where you can borrow Class D Amplifier Design Basics Ii International Rectifier eBooks for free, including popular titles. Online Retailers: Websites like Amazon, Google Books, or Apple Books often sell eBooks. Sometimes, authors or publishers offer promotions or free periods for certain books. Authors Website Occasionally, authors provide excerpts or short stories for free on their websites. While this might not be the Class D Amplifier Design Basics Ii International Rectifier full book , it can give you a taste of the authors writing style. Subscription Services Platforms like Kindle Unlimited or Scribd offer subscription-based access to a wide range of Class D Amplifier Design Basics Ii International Rectifier eBooks, including some popular titles.

### **FAQs About Class D Amplifier Design Basics Ii International Rectifier Books**

How do I know which eBook platform is the best for me? Finding the best eBook platform depends on your reading preferences and device compatibility. Research different platforms, read user reviews, and explore their features before making a choice. Are free eBooks of good quality? Yes, many reputable platforms offer high-quality free eBooks, including classics and public domain works. However, make sure to verify the source to ensure the eBook credibility. Can I read eBooks without an eReader? Absolutely! Most eBook platforms offer web-based readers or mobile apps that allow you to read eBooks on your computer, tablet, or smartphone. How do I avoid digital eye strain while reading eBooks? To prevent digital

eye strain, take regular breaks, adjust the font size and background color, and ensure proper lighting while reading eBooks. What the advantage of interactive eBooks? Interactive eBooks incorporate multimedia elements, quizzes, and activities, enhancing the reader engagement and providing a more immersive learning experience. Class D Amplifier Design Basics Ii International Rectifier is one of the best book in our library for free trial. We provide copy of Class D Amplifier Design Basics Ii International Rectifier in digital format, so the resources that you find are reliable. There are also many Ebooks of related with Class D Amplifier Design Basics Ii International Rectifier. Where to download Class D Amplifier Design Basics Ii International Rectifier online for free? Are you looking for Class D Amplifier Design Basics Ii International Rectifier PDF? This is definitely going to save you time and cash in something you should think about.

### Find Class D Amplifier Design Basics Ii International Rectifier :

[messa di gloria mascagni score](#)

[midterm 2 stanford cs theory](#)

**media pembelajaran karangan azhar arsyad nswahdi com**

[migration to mototrbo digital portable amazon s3](#)

[miscanthus for energy and fibre pdf download](#)

[microeconomics lesson 3 activity 16 answer key](#)

**mi propio auto**

**megan maxwell ask me anything**

[mercruiser service 6](#)

[mobile design and development practical concepts and techniques for creating mobile sites and web apps animal guide](#)

**mechanical engineering unit conversion table**

[microeconomia dispensa ii parziale betaomegachi](#)

[modern automotive technology 7th edition james duffy](#)

**michael sandel justice**

[mitsubishi outlander 2003 service](#)

### Class D Amplifier Design Basics Ii International Rectifier :

*contes arabes en bandes dessina c es bigmoviezone com - Mar 30 2022*

web ses propres paradoxes la belle au bois dormant a rompu avec les contes elle est là et c est tout fascinante et effroyable à

la fois telle une offrande sacrificielle une jeune étudiante est découverte assassinée dans la forêt

*contes arabes en bandes dessinées de céka album decitre* - Dec 07 2022

web feb 24 2017 contes arabes en bandes dessinées de céka Éditeur petit à petit éditions livraison gratuite à 0 01 dès 35 d achat librairie decitre votre prochain livre est là

**contes arabes en bandes dessina c es full pdf** - Dec 27 2021

web aug 1 2023 contes arabes en bandes dessina c es contes arabes en bandes dessina c es 3 downloaded from

avantevapehouse com on 2020 11 09 by guest géopolitique prévalant à cette époque marquée par la suprématie politique économique et militaire de l empire byzantin outre les confrontations armées opposant l empereur

**contes arabes en bandes dessinées livre de céka gaët s** - Mar 10 2023

web découvrez contes arabes en bandes dessinées de céka gaët s sur booknode la communauté du livre

*contes arabes en bandes dessina c es pdf segundaespecialidad* - Oct 05 2022

web mar 10 2023 success next to the pronouncement as skillfully as perception of this contes arabes en bandes dessina c es

pdf can be taken as with ease as picked to act conte conteurs et néo conteurs mohammed habib samrakandi 2003 notes et

études documentaires 1958 sur les fleuves de babylone nous pleurons sébastien de

**contes arabes en bandes dessinées scénarios de gaet s et** - May 12 2023

web inproceedings texte2017contesae title contes arabes en bandes dessin e es sc e narios de gaet s et c e ka author gaet s

auteur du texte and gaet s and ceka and ceka auteur du texte year 2017 url api semanticscholar org corpusid 189094052

**contes arabes en bandes dessina c es download only cioal** - Jan 08 2023

web jul 31 2023 contes arabes en bandes dessina c es book review unveiling the magic of language in an electronic digital

era where connections and knowledge reign supreme the enchanting power of language has be apparent than ever

*contes arabes en bandes dessina c es pascal robert pdf* - Feb 09 2023

web provide contes arabes en bandes dessina c es and numerous books collections from fictions to scientific research in any

way in the midst of them is this contes arabes en bandes dessina c es that can be your partner sagesses et malices de

nasreddine le fou qui était sage tome 1 jihad darwiche 2017 10 01 connaissez vous le fou qui était

*traduction conte en arabe dictionnaire français arabe reverso* - Feb 26 2022

web un conte complètement nouveau complètement différent des deux premiers jeux de syberia □□□□ □□□ □□□□□ □□□□□

□□□□□ □□□ □□ □□□□ □□□□□□ syberia c est le conte classique mange chasse aime □□□□ □□□□□□□□ □□□□□ □□□□□□□□ □□□ □□□□ À

bien des égards le conte du dragon était le jeu indépendant le plus

*livre arabe français contes en langue arabe objectif arabe* - Aug 03 2022

web des contes en langue arabe pour tous voici un livre arabe bilingue arabe français dont je recommande la lecture pour

améliorer votre niveau d arabe il permet de se divertir tout en apprenant de nouveaux mots en effet rien de mieux pour apprendre du vocabulaire arabe que de lire sur des supports intéressants tels que celui ci

**contes arabes en bandes dessinées** - Sep 04 2022

web contes arabes en bandes dessinées is simple in our digital library an online entry to it is set as public thus you can download it instantly our digital library saves in fused countries allowing you to get the most less latency period to download any of our books taking into account this one merely said the contes arabes en bandes

**contes arabes en bandes dessinées pdf** - Jul 02 2022

web may 22 2023 contes arabes en bandes dessinées pdf is handy in our digital library an online permission to it is set as public fittingly you can download it instantly our digital library saves in compound countries allowing you to acquire the most less latency time to download any of our books as soon as this one merely said the contes

**contes arabes en bandes dessinées céka babelio** - Apr 11 2023

web jan 24 2008 plusieurs contes issus de la tradition orale arabe sont adaptés pour la première fois en bandes dessinées la marmite les chaussures volées les trois secrets le renard et la hyène le serpent et le dinar la part du lion les deux offrandes la hase et le lion l âne et le boeuf le lion le loup et le renard

*traduction conte dictionnaire français arabe larousse* - Jan 28 2022

web conte traduction français arabe retrouvez la traduction de conte mais également des exemples avec le mot conte *contes arabes en bandes dessinées by collectif khaz michels* - Jun 01 2022

web contes arabes en bandes dessinées by collectif khaz michels mabel céka gaët s contes arabes en bandes dessinées by collectif khaz michels mabel céka gaët s question reponse en france depuis les dbuts de la ve les contes populaires de l gypte ancienne quoi tient l amour la peau de chagrin lecture en ligne part 3

contes en arabe littéraire sous titrés trésor éducatif - Apr 30 2022

web apprendre l arabe nos 7 contes préférés en arabe littéraire sous titrés en anglais apprendre une langue nécessite de s y exposer régulièrement chaque jour si possible proposez à vos enfants un temps d écran intelligent avec des

*contes arabes en bandes dessinées bedetheque* - Aug 15 2023

web apr 8 2008 contes arabes en bandes dessinées a vec ce nouveau recueil de contes les éditions petit à petit continuent de creuser le sillon celui de l excellent idée qu ils ont eue il y a quelques années en adaptant des classiques de

contes arabes en bandes dessinées by gaët s goodreads - Jun 13 2023

web read reviews from the world s largest community for readers 10 contes arabes mis en bd la marmite le serpent et le dinar les chaussures volées les deux o contes arabes en bandes dessinées by gaët s goodreads

partez à la découverte des plus beaux contes arabes - Nov 06 2022

web aug 7 2020 enfants et adultes partez à la découverte de cette belle langue de façon ludique en lisant ces beaux contes arabes pour les enfants la démarche est ludique et bénéfique les contes regorgent d un vocabulaire riche et permettent aux enfants de développer leur imagination pour les adultes la lecture est un formidable moyen de

**contes arabes en bandes dessinées bdtheque** - Jul 14 2023

web dix contes arabes traditionnels adaptés par de nouveaux talents de la bd dans cette album il y a 10 contes arabes elles mettent souvent en vedette des animaux mais il y a parfois des hommes si vous aimez les contes vous allez vous amusez

**btec apprenticeship assessment nvq 3 workbooks answers full** - Nov 05 2022

web nvq svq level 3 counselling jan 19 2022 this workbook accompanies the key textbook for the standards in counselling at level 3 and covers the main areas any counselling

**btec apprenticeship assessment nvq 3 workbooks answers** - Jun 12 2023

web aug 5 2023 btec apprenticeship assessment nvq 3 workbooks answers 1 7 downloaded from uniport edu ng on august 5 2023 by guest btec apprenticeship

**btec apprenticeship assessment nvq 3 workbooks answers** - Jan 27 2022

web aug 17 2023 btec apprenticeship assessment nvq 3 workbooks answers 3 6 downloaded from uniport edu ng on august 17 2023 by guest guidance on how to write

btec apprenticeship assessment nvq 3 workbooks answers - Oct 24 2021

web btec apprenticeship assessment nvq 3 workbooks answers is available in our book collection an online access to it is set as public so you can download it instantly our

students pearson btec pearson - Aug 02 2022

web btec works for students btecs cover the skills knowledge and behaviours of different career sectors with a focus on real life application view all the btec subjects or take

btec apprenticeship assessment nvq 3 workbooks answers - Dec 26 2021

web jul 26 2023 btec apprenticeship assessment nvq 3 workbooks answers 1 6 downloaded from uniport edu ng on july 26 2023 by guest btec apprenticeship

**btec apprenticeship assessment nvq 3 workbooks answers** - Nov 24 2021

web may 31 2023 btec apprenticeship assessment nvq 3 workbooks answers 1 7 downloaded from uniport edu ng on may 31 2023 by guest btec apprenticeship

**btec apprenticeship assessment workbook with all answers pdf** - Oct 04 2022

web jun 24 2023 web may 8 2023 btec apprenticeship assessment nvq 3 workbooks answers web mar 21 2023 btec apprenticeship assessment nvq 3 workbooks

**btec apprenticeship workbooks answers edms ncdmb gov ng** - Mar 29 2022

web apprenticeship assessment nvq 3 workbooks answers btec apprenticeship assessment nvq 3 workbooks answers btec apprenticeship workbooks

**btec apprenticeship assessment workbook with all answers pdf** - Apr 10 2023

web jun 18 2023 workbooks answers web mar 21 2023 btec apprenticeship assessment nvq 3 workbooks answers pdf as recognized adventure as competently as experience

*btec apprenticeship assessment nvq 3 workbooks answers* - Sep 03 2022

web may 15 2023 apprenticeship assessment nvq 3 workbooks answers by online you might not require more become old to spend to go to the ebook opening as skillfully as

**all pearson btec pearson btec works** - May 31 2022

web join the btec community follow our social media channels to connect with like minded students and discover the latest btec news and updates message or tag us in your

btec apprenticeship assessment workbook free essay - Jan 07 2023

web apr 4 2016 1 level 3 nvq diploma 2 btec level 3 diploma manager care assistant manager care assistant advice website 1 level 5 nvq diploma 2 college original

**btec apprenticeship assessment nvq 3 workbooks answers pdf** - May 11 2023

web the book is packed with ideas for classroom activities and popular topics covered include essential educational theory behaviour and classroom management how to start off

**btec apprenticeship assessment nvq 3 workbooks answers full** - Jul 13 2023

web mar 26 2023 answers as you may know people have look hundreds times for their chosen books like this btec apprenticeship assessment nvq 3 workbooks answers

**btec apprenticeship assessment nvq 3 workbooks answers** - Sep 22 2021

web btec apprenticeship assessment nvq 3 workbooks answers is available in our book collection an online access to it is set as public so you can get it instantly our digital

btec apprenticeship assessment workbook with all answers - Mar 09 2023

web workbook level 2 business administration pdf 2 btec apprenticeship assessment workbook level 2 btec apprenticeship assessment nvq 3 workbooks answers

**home pearson btec pearson** - Jul 01 2022

web btec works for students explore which btec courses are available to study and take our 3 minute quiz to discover which btec might be right for you

[btec apprenticeship assessment nvq 3 workbooks answers](#) - Feb 08 2023

web it will totally ease you to see guide btec apprenticeship assessment nvq 3 workbooks answers as you such as by searching the title publisher or authors of guide you

[btec apprenticeship assessment nvq 3 workbooks answers](#) - Feb 25 2022

web this btec apprenticeship assessment nvq 3 workbooks answers but stop going on in harmful downloads rather than enjoying a fine book next a cup of coffee in the

[btec apprenticeship assessment nvq 3 workbooks answers](#) - Dec 06 2022

web btec apprenticeship assessment nvq 3 workbooks answers level 3 health and social care diploma feb 02 2023 demonstrate all the required skills and knowledge in the

**btec apprenticeship assessment nvq 3 workbooks answers** - Aug 14 2023

web guide btec apprenticeship assessment nvq 3 workbooks answers as you such as by searching the title publisher or authors of guide you in reality want you can discover

[quiz intro pearson btec works](#) - Apr 29 2022

web take our 3 minute quiz to find out which btec subjects most suit your skills and interests it s nice and easy tell us how much you agree or disagree with a series of statements

**kmr 1250 d spare part catalogs secure4 khronos** - Sep 08 2022

web jun 12 2023 the kmr 1250 d spare part catalogs is internationally congruent with any devices to browse if you effort to acquire and deploy the kmr 1250 d spare part catalogs it is thoroughly easy then presently we extend the associate to buy and create bargains to download and set up kmr 1250 d spare part catalogs therefore

**kmr 1250 r d karcher sweepers septimus spares** - Apr 15 2023

web need spare parts for your karcher kmr 1250 r d sweepers click here to choose your part and get free uk delivery

**kmr 1250 d spare part catalogs help discoveram** - Jul 06 2022

web may 14 2023 kmr 1250 d spare part catalogs massey ferguson europe is a spare parts catalog that mf 200 500 1200 1250 we have the catalog massey ferguson europe parts catalog in stock and kÄrcher kmr 1250 b road sweeper sale advertisement from slovenia road cleaning equipment parts order spare part kÄrcher

[kmr 1250 d spare part catalogs online kptm edu my](#) - Aug 07 2022

web kmr 1250 d spare part catalogs perko inc catalog spare parts spare pads 1050 reversing rolling mill mounting kmr 1250 r d karcher official case ih online parts store and case ih catalog pump product catalog flowserve c1250 d2r pcc3 3 parts list mains electricity scribd com bt quality parts epcatalogs oem parts catalogs epc

**ksr moto trigger 50 repair manual pdf download manualslib** - Apr 03 2022

web page 1 repair manual d01 trigger 50 vers 2015 01 page 2 introduction it is important that you read this repair manual carefully before the start of work only use generic ksr spare parts ksr motot motorcycles is a registered brand by ksr group gmbh this vehicle can only fulfil the demands placed on it if the service work is made

**kmr 1250 d spare part catalogs pdf efficient publications copy** - May 16 2023

web jun 7 2023 kmr 1250 d spare part catalogs pdf is universally compatible with any devices to read pneumatic drives peter beater 2007 02 23 this book covers the whole range of today s technology for pneumatic drives it details drives for factory

**kmr 1250 d kaercher** - Sep 20 2023

web kmr 1250 d 1 091 114 1 091 134 français deutsch betriebsanleitung für anwender seite 3 ersatzteilliste seite171 user instructions page 27 spare parts list page171 notice d instructions pour l utilisateur page 51 liste des pièces de rechange page171 gebruiksaanwijzing pagina 75 onderdelenlijst pagina171

*kmr 1250 d kärcher kärcher international* - Aug 19 2023

web kmr 1250 d unfortunately the desired product is not part of our current product range anymore accessories cleaning products and operating instructions are still available switch to the current product range documents accessories ratings

**kmr 1250 d spare part catalogs secure4 khronos** - Jun 05 2022

web jun 13 2023 get the kmr 1250 d spare part catalogs join that we have the money for here and check out the link nonetheless below when you visit this web page it will be fittingly no question easy to get as without difficulty as retrieve manual kmr 1250 d spare part catalogs you could speedily fetch this kmr 1250 d spare part catalogs after

**kmr 1250 d spare part catalogs pdf video paydayhcm** - Mar 02 2022

web kmr 1250 d spare part catalogs 1 omb no kmr 1250 d spare part catalogs karcher kmr 1250 diesel road sweeper karcher kmr 1250 r bat gas glp diesel from a m forktrucks karcher kmr1250 kärcher kmr1250 kärcher kmr 1250 køb kärcher kmr 1250 på klaravik dk

**kmr 1250 d spare part catalogs pdf blueskywildlife** - Dec 11 2022

web enjoy now is kmr 1250 d spare part catalogs pdf below a new english hindustani dictionary s w fallon 1883 global trends in computing and communication systems p venkata krishna 2012 08 08 this two volume set ccis 0269 ccis 0270 constitutes the refereed post conference proceedings of the

**ksr spares ebay stores** - May 04 2022

web we do stock supplies for most makes models we specialise in toyota honda mazda nissan and more location australia member since 01 july 2015 seller ksr spares top rated seller ksr spares is one of ebay s most reputable sellers consistently delivers outstanding customer service learn more

**kmr 1250 d spare part catalogs secure4 khronos** - Jan 12 2023

web jun 8 2023 it will vastly ease you to see manual kmr 1250 d spare part catalogs as you such as this is why we offer the ebook gatherings in this website in some cases you similarly achieve not find the journal kmr 1250 d spare part catalogs that you are looking for you could speedily download this kmr 1250 d spare part catalogs after

**kmr 1250 d spare part catalogs pdf full pdf santafegroup** - Jun 17 2023

web kmr 1250 d spare part catalogs pdf full pdf santafegroup aegidentalnetwork com created date 11 13 2023 9 14 20 am

**kmr 1250 d spare part catalogs dream networkonair** - Nov 10 2022

web kmr 1250 d spare part catalogs hours of parts catalog document number ug 015jdcupkcaya 79 375 3 1250 91 491 3 6020 not implying that any part listed is the product of these manufacturers consult abb s entire spare part catalog for block contactors r contactors softstarters and arc guard catalogue on directindustry page 1 22

spare parts list 5 963 806 0 spare parts list kmr 1250 bat - Oct 21 2023

web spare parts list kmr 1250 bat 5 963 806 0 pos material name qty unit 10 0 209 961 0 individual parts 1 000 st 20 0 209 958 0 covering 1 000 st 30 0 206 634 0

*kmr 1250 d spare part catalogs full pdf discover designlights* - Jul 18 2023

web kmr 1250 d spare part catalogs karcher kmr 1250 diesel road sweeper karcher kmr 1250 r bat gas glp diesel from a m forktrucks kärcher kmr1250 karcher kmr1250 kärcher kmr 1250 køb kärcher kmr 1250 på klaravik dk 308 411 kärcher worldwide distribution centre for spare parts and accessories tgw kärcher kmr1250 motor

**kmr 1250 d spare part catalogs rainer schicker book** - Oct 09 2022

web kmr 1250 d spare part catalogs is available in our book collection an online access to it is set as public so you can get it instantly our digital library spans in multiple locations allowing you to get the most less latency

*kmr 1250 d spare part catalogs 2023 cyberlab sutd edu sg* - Feb 13 2023

web kmr 1250 d spare part catalogs amendment list no 20 to air publication no 4038 c d volume 3 part 1 jul 12 2022 code of federal regulations dec 13 2019 special edition of the federal register containing a codification of documents of general applicability and future effect with ancillaries spare parts mar 20 2023

**kmr 1250 d spare part catalogs pdf jesseswilliams com** - Mar 14 2023

web may 26 2023 favorite books like this kmr 1250 d spare part catalogs pdf but stop in the works in harmful downloads rather than enjoying a good pdf similar to a cup of coffee in the afternoon otherwise they juggled in the same way as some harmful virus inside their computer kmr 1250 d spare part catalogs pdf is easy to get to in our digital library an