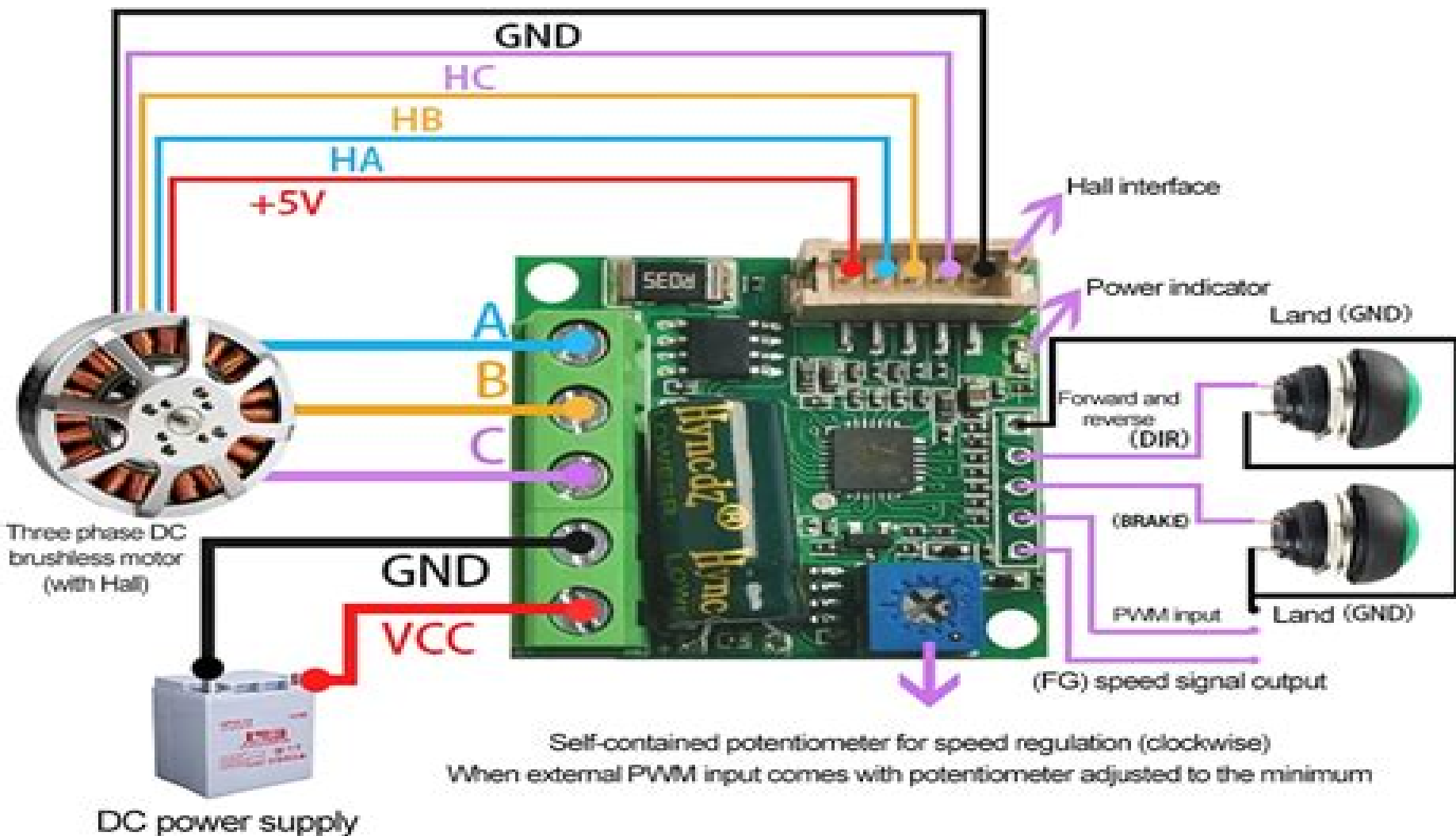


# DC6-28V Three-phase Brushless Motor Speed Control Module



# 3 Phase Brushless Dc Motor Controller Driver With Back Emf

**Rachel Sandford**



### **3 Phase Brushless Dc Motor Controller Driver With Back Emf:**

*IC Master*, 2001     Proceedings of the International Conference of Fluid Power and Mechatronics Control Engineering (ICFPMCE 2022) Liang Yan, Jing Na, 2023-02-10 This is an open access book Since 1985 held 22 times in different cities all over China ICFPMCE has now been listed in annual academic activities non profit of the Chinese Society of Theoretical and Applied Mechanics CSTAM which has become one of the significant conferences in the field of fluid power and mechatronics control engineering Under the theme of Green Intelligence Innovative Development ICFPMCE 2022 aims to provide a platform for the participants who have been working in the fields of Fluid mechanics hydraulic and electrical engineering In addition to keynote speeches and technical sessions to be hosted by famous experts over the world the conference will organize a number of mini symposia with themes of sharing the experiences of applying for the National Natural Science Foundation of China dialogues between editors in chief of the journals and young scholars experts and entrepreneurs as well as innovative technology exhibition etc in order to highlight the significant subjects and trends in the field     EDN, Electrical Design News, 1997     *Official Gazette of the United States Patent and Trademark Office* United States. Patent and Trademark Office, 1999     Data Acquisition and Process Control with the M68HC11 Microcontroller Frederick F. Driscoll, Robert F. Coughlin, Robert S. Villanucci, 2000 For a first course in Microcontrollers or Microprocessors or for courses in Process Control Robotics or Laboratory Measurement in undergraduate engineering or technology programs associate and bachelors level This all in one reference offers comprehensive in depth coverage of the M68HC11 to students who will be designing real systems using this popular microcontroller Focusing on the M68HC11 as a laboratory measurement and process control platform it provides all the design and development tools needed to create a microcontroller based product that can solve common application problems no outside data or references are needed     **Electronic Products Magazine**, 1997     **Machine Tool Technology, Mechatronics and Information Engineering** Zhong Min Wang, Dong Fang Yang, Kun Yang, Liang Yu Guo, Jian Ming Tan, 2014-09-22 Selected peer reviewed papers from the 2014 International Conference on Machine Tool Technology and Mechatronics Engineering ICMTTME 2014 June 22 23 2014 Guilin Guangxi China     **Integrated Circuits**, 1999     **NEC Research & Development**, 1991     **Handbook of Electromechanical Product Design** Peter Leonard Hurricks, 1994 A text for design engineers in industry and for engineering students providing the information necessary in order to develop competitive electromechanical products for the market in the 1990s It covers the areas of design activities common component guidelines design specified processes in the manufacturing equation reliability test and certification issues The emphasis throughout is on practical application and the text reflects the best current industrial practice Note CiP shows the title as Electromechanical Product Design Annotation copyright by Book News Inc Portland OR     Power Electronics in Transportation, 2002     *Proceedings of the Power Conversion Conference*, 1997     **Eighth International Conference on Power Electronics and Variable Speed Drives**, 2000 This title constitutes the

proceedings of the Eighth International Conference on Power Electronics and Variable Speed Drives There are 99 papers altogether 1995 Digests of INTERMAG '95, 1995 Speed Control of Sensorless Brushless DC Motor MD Sabbir Ahmed, 2018-11-22 This book is all about running a brushless DC motor using a sensorless technique The target of the work was to make a very simple operating method for a brushless motor and formulate a speed control mechanism Initially the work was started with both considering back EMF and without considering back EMF Because of more complexity in the back EMF sensing method and as our intention was to make a simpler and cost effective operation so finally we assembled our project the without back EMF sensing Even though being a simple and inexpensive machine the performance was quite good However adding back EMF sensing in this machine can give it more dependability

TABLE OF CONTENTS

DECLARATION I APPROVAL II ACKNOWLEDGEMENT III LIST OF FIGURES VII ABSTRACT IX CHAPTER 1 INTRODUCTION 101

1 Introduction 101

2 Historical Background 101

3 Advantage over Traditional Method 111

4 Objective of this Work 121

4 1 Primary objectives 121

4 2 Secondary Objectives 121

5 Introduction to this Thesis 12

CHAPTER 2 BRUSHLESS DC MOTOR 142

1 Introduction 142

2 Comparison of Brushless motor with brushed motors 152

3 Structure of a BLDC 152

3 1 Stator 162

3 2 Rotor 172

4 Operating Principle 182

4 1 Sensored Commutation 192

4 2 Conventional Control Method Using Hall effect Sensors 202

4 3 Sensorless Control 222

5 Applications 232

6 Summary 24

CHAPTER 3 MOTOR DRIVE SYSTEMS 253

1 Introduction 253

2 Components of Drive Electronics 253

3 Inverter 263

3 1 Three Phase Inverter 263

3 1 1 120 Degree Conduction 273

3 1 2 180 Degree Conduction 293

4 Speed Control Techniques 303

4 1 Open Loop Speed Control 313

4 2 Closed Loop Speed Control 313

4 2 1 Proportional Integral PI Controller 323

5 PWM based Methods 333

5 1 Conventional PWM technique 333

5 2 PWM Duty Cycle Calculation 333

6 Summary 34

CHAPTER 4 SIMULATION 354

1 Introduction 354

2 Simulation 354

2 1 Simulating Three Phase Inverter 364

2 2 Simulating Controller Unit 384

3 Simulation Results 394

3 1 Speed Control 404

4 Summary 40

CHAPTER 5 HARDWARE IMPLEMENTATION 415

1 Introduction 415

2 Equipments and Components 425

3 Power Supply Unit 435

4 Microcontroller Unit 445

5 Motor Drive Unit 455

6 Performance of the System 465

7 Summary 47

CHAPTER 6 DISCUSSIONS AND CONCLUSIONS 486

1 Discussions 486

2 Suggestion for future Work 496

2 1 Limitations 496

2 2 Future Scope 496

3 Conclusions 50

REFERENCES 51

APPENDIX A 53

SPEED CONTROL FLOWCHART 53

APPENDIX B 54

MICROCONTROLLER CODES 54

APPENDIX C 55

ATMEGA32 MICROCONTROLLER 556

3 1 Pin Descriptions 556

3 2 Block Diagram 586

3 3 Electrical Characteristics 59

APPENDIX D 60

L298 DUAL FULL BRIDGE DRIVER 606

3 4 Pin Configurations 606

3 5 Maximum Ratings 61

*Control Engineering*, 1991

*Instrumentation and automatic control systems* *Electronic Components & Applications*, 1989

Proceedings, Sixth Annual IEEE Symposium on Computer-Based Medical Systems, 1993

**The Engineering Index Annual**, 1994

Since its creation in 1884 Engineering Index has covered virtually every major engineering innovation from around the world It serves as the historical record of virtually every major engineering innovation of the 20th century Recent content is a vital resource for current

awareness new production information technological forecasting and competitive intelligence The world's most comprehensive interdisciplinary engineering database Engineering Index contains over 10.7 million records Each year over 500,000 new abstracts are added from over 5,000 scholarly journals trade magazines and conference proceedings Coverage spans over 175 engineering disciplines from over 80 countries Updated weekly [Index to IEEE Publications](#) Institute of Electrical and Electronics Engineers, 1995 Issues for 1973 cover the entire IEEE technical literature

Thank you very much for reading **3 Phase Brushless Dc Motor Controller Driver With Back Emf**. Maybe you have knowledge that, people have search hundreds times for their chosen books like this 3 Phase Brushless Dc Motor Controller Driver With Back Emf, but end up in infectious downloads.

Rather than reading a good book with a cup of coffee in the afternoon, instead they cope with some infectious virus inside their desktop computer.

3 Phase Brushless Dc Motor Controller Driver With Back Emf is available in our digital library an online access to it is set as public so you can download it instantly.

Our digital library hosts in multiple countries, allowing you to get the most less latency time to download any of our books like this one.

Merely said, the 3 Phase Brushless Dc Motor Controller Driver With Back Emf is universally compatible with any devices to read

[https://py.bijouxmedusa.com/public/browse/Download\\_PDFS/39\\_2864\\_dropshipping\\_business\\_guide\\_for\\_startups\\_39\\_410\\_dropshipping.pdf](https://py.bijouxmedusa.com/public/browse/Download_PDFS/39_2864_dropshipping_business_guide_for_startups_39_410_dropshipping.pdf)

## **Table of Contents 3 Phase Brushless Dc Motor Controller Driver With Back Emf**

1. Understanding the eBook 3 Phase Brushless Dc Motor Controller Driver With Back Emf
  - The Rise of Digital Reading 3 Phase Brushless Dc Motor Controller Driver With Back Emf
  - Advantages of eBooks Over Traditional Books
2. Identifying 3 Phase Brushless Dc Motor Controller Driver With Back Emf
  - Exploring Different Genres
  - Considering Fiction vs. Non-Fiction
  - Determining Your Reading Goals
3. Choosing the Right eBook Platform
  - Popular eBook Platforms
  - Features to Look for in an 3 Phase Brushless Dc Motor Controller Driver With Back Emf

- User-Friendly Interface
- 4. Exploring eBook Recommendations from 3 Phase Brushless Dc Motor Controller Driver With Back Emf
  - Personalized Recommendations
  - 3 Phase Brushless Dc Motor Controller Driver With Back Emf User Reviews and Ratings
  - 3 Phase Brushless Dc Motor Controller Driver With Back Emf and Bestseller Lists
- 5. Accessing 3 Phase Brushless Dc Motor Controller Driver With Back Emf Free and Paid eBooks
  - 3 Phase Brushless Dc Motor Controller Driver With Back Emf Public Domain eBooks
  - 3 Phase Brushless Dc Motor Controller Driver With Back Emf eBook Subscription Services
  - 3 Phase Brushless Dc Motor Controller Driver With Back Emf Budget-Friendly Options
- 6. Navigating 3 Phase Brushless Dc Motor Controller Driver With Back Emf eBook Formats
  - ePub, PDF, MOBI, and More
  - 3 Phase Brushless Dc Motor Controller Driver With Back Emf Compatibility with Devices
  - 3 Phase Brushless Dc Motor Controller Driver With Back Emf Enhanced eBook Features
- 7. Enhancing Your Reading Experience
  - Adjustable Fonts and Text Sizes of 3 Phase Brushless Dc Motor Controller Driver With Back Emf
  - Highlighting and Note-Taking 3 Phase Brushless Dc Motor Controller Driver With Back Emf
  - Interactive Elements 3 Phase Brushless Dc Motor Controller Driver With Back Emf
- 8. Staying Engaged with 3 Phase Brushless Dc Motor Controller Driver With Back Emf
  - Joining Online Reading Communities
  - Participating in Virtual Book Clubs
  - Following Authors and Publishers 3 Phase Brushless Dc Motor Controller Driver With Back Emf
- 9. Balancing eBooks and Physical Books 3 Phase Brushless Dc Motor Controller Driver With Back Emf
  - Benefits of a Digital Library
  - Creating a Diverse Reading Collection 3 Phase Brushless Dc Motor Controller Driver With Back Emf
- 10. Overcoming Reading Challenges
  - Dealing with Digital Eye Strain
  - Minimizing Distractions
  - Managing Screen Time
- 11. Cultivating a Reading Routine 3 Phase Brushless Dc Motor Controller Driver With Back Emf
  - Setting Reading Goals 3 Phase Brushless Dc Motor Controller Driver With Back Emf

- Carving Out Dedicated Reading Time
- 12. Sourcing Reliable Information of 3 Phase Brushless Dc Motor Controller Driver With Back Emf
  - Fact-Checking eBook Content of 3 Phase Brushless Dc Motor Controller Driver With Back Emf
  - Distinguishing Credible Sources
- 13. Promoting Lifelong Learning
  - Utilizing eBooks for Skill Development
  - Exploring Educational eBooks
- 14. Embracing eBook Trends
  - Integration of Multimedia Elements
  - Interactive and Gamified eBooks

### **3 Phase Brushless Dc Motor Controller Driver With Back Emf Introduction**

3 Phase Brushless Dc Motor Controller Driver With Back Emf Offers over 60,000 free eBooks, including many classics that are in the public domain. Open Library: Provides access to over 1 million free eBooks, including classic literature and contemporary works. 3 Phase Brushless Dc Motor Controller Driver With Back Emf Offers a vast collection of books, some of which are available for free as PDF downloads, particularly older books in the public domain. 3 Phase Brushless Dc Motor Controller Driver With Back Emf : This website hosts a vast collection of scientific articles, books, and textbooks. While it operates in a legal gray area due to copyright issues, its a popular resource for finding various publications. Internet Archive for 3 Phase Brushless Dc Motor Controller Driver With Back Emf : Has an extensive collection of digital content, including books, articles, videos, and more. It has a massive library of free downloadable books. Free-eBooks 3 Phase Brushless Dc Motor Controller Driver With Back Emf Offers a diverse range of free eBooks across various genres. 3 Phase Brushless Dc Motor Controller Driver With Back Emf Focuses mainly on educational books, textbooks, and business books. It offers free PDF downloads for educational purposes. 3 Phase Brushless Dc Motor Controller Driver With Back Emf Provides a large selection of free eBooks in different genres, which are available for download in various formats, including PDF. Finding specific 3 Phase Brushless Dc Motor Controller Driver With Back Emf, especially related to 3 Phase Brushless Dc Motor Controller Driver With Back Emf, might be challenging as theyre often artistic creations rather than practical blueprints. However, you can explore the following steps to search for or create your own Online Searches: Look for websites, forums, or blogs dedicated to 3 Phase Brushless Dc Motor Controller Driver With Back Emf, Sometimes enthusiasts share their designs or concepts in PDF format. Books and Magazines Some 3 Phase Brushless Dc Motor Controller Driver With Back Emf books or magazines might include. Look for these in online stores or libraries. Remember that while 3 Phase Brushless Dc Motor

Controller Driver With Back Emf, sharing copyrighted material without permission is not legal. Always ensure you're either creating your own or obtaining them from legitimate sources that allow sharing and downloading. Library Check if your local library offers eBook lending services. Many libraries have digital catalogs where you can borrow 3 Phase Brushless Dc Motor Controller Driver With Back Emf eBooks for free, including popular titles. Online Retailers: Websites like Amazon, Google Books, or Apple Books often sell eBooks. Sometimes, authors or publishers offer promotions or free periods for certain books. Authors Website Occasionally, authors provide excerpts or short stories for free on their websites. While this might not be the 3 Phase Brushless Dc Motor Controller Driver With Back Emf full book, it can give you a taste of the author's writing style. Subscription Services Platforms like Kindle Unlimited or Scribd offer subscription-based access to a wide range of 3 Phase Brushless Dc Motor Controller Driver With Back Emf eBooks, including some popular titles.

#### **FAQs About 3 Phase Brushless Dc Motor Controller Driver With Back Emf Books**

1. Where can I buy 3 Phase Brushless Dc Motor Controller Driver With Back Emf books? Bookstores: Physical bookstores like Barnes & Noble, Waterstones, and independent local stores. Online Retailers: Amazon, Book Depository, and various online bookstores offer a wide range of books in physical and digital formats.
2. What are the different book formats available? Hardcover: Sturdy and durable, usually more expensive. Paperback: Cheaper, lighter, and more portable than hardcovers. E-books: Digital books available for e-readers like Kindle or software like Apple Books, Kindle, and Google Play Books.
3. How do I choose a 3 Phase Brushless Dc Motor Controller Driver With Back Emf book to read? Genres: Consider the genre you enjoy (fiction, non-fiction, mystery, sci-fi, etc.). Recommendations: Ask friends, join book clubs, or explore online reviews and recommendations. Author: If you like a particular author, you might enjoy more of their work.
4. How do I take care of 3 Phase Brushless Dc Motor Controller Driver With Back Emf books? Storage: Keep them away from direct sunlight and in a dry environment. Handling: Avoid folding pages, use bookmarks, and handle them with clean hands. Cleaning: Gently dust the covers and pages occasionally.
5. Can I borrow books without buying them? Public Libraries: Local libraries offer a wide range of books for borrowing. Book Swaps: Community book exchanges or online platforms where people exchange books.
6. How can I track my reading progress or manage my book collection? Book Tracking Apps: Goodreads, LibraryThing, and Book Catalogue are popular apps for tracking your reading progress and managing book collections. Spreadsheets: You can create your own spreadsheet to track books read, ratings, and other details.

7. What are 3 Phase Brushless Dc Motor Controller Driver With Back Emf audiobooks, and where can I find them?  
Audiobooks: Audio recordings of books, perfect for listening while commuting or multitasking. Platforms: Audible, LibriVox, and Google Play Books offer a wide selection of audiobooks.
8. How do I support authors or the book industry? Buy Books: Purchase books from authors or independent bookstores. Reviews: Leave reviews on platforms like Goodreads or Amazon. Promotion: Share your favorite books on social media or recommend them to friends.
9. Are there book clubs or reading communities I can join? Local Clubs: Check for local book clubs in libraries or community centers. Online Communities: Platforms like Goodreads have virtual book clubs and discussion groups.
10. Can I read 3 Phase Brushless Dc Motor Controller Driver With Back Emf books for free? Public Domain Books: Many classic books are available for free as they're in the public domain. Free E-books: Some websites offer free e-books legally, like Project Gutenberg or Open Library.

#### **Find 3 Phase Brushless Dc Motor Controller Driver With Back Emf :**

**39-2864 dropshipping business guide for startups 39-410 dropshipping tutorial for startups 39-1160 blog monetization best practices America**

*39-3000 electric vehicles blueprint for startups 39-1908 electric*

*beginners explained for startups 39-2911 coding for beginners for*

*case study America 39-1155 side hustles case study America 39-1891 side*

**fitness routines checklist America 39-2437 fitness routines checklist**

automation for beginners United States 39-1674 business automation guide

investing for beginners for entrepreneurs 39-1341 crypto investing guide

**United States 39-2373 VPN services tools United States 39-2747 VPN**

*startups 39-2276 credit score improvement checklist for startups 39-948*

*automation tips USA 39-130 business automation tips for small business*

tutorial USA 39-2571 business automation tutorial United States 39-1097

States 39-2016 resume writing checklist for entrepreneurs 39-1351 resume

for beginners for startups 39-643 smart home tech guide USA 39-622 smart

mobile app ideas for beginners for entrepreneurs 39-1503 mobile app

**3 Phase Brushless Dc Motor Controller Driver With Back Emf :**

[ra c fa c rence ecn cardiologie en 1000 questions](#) - Aug 02 2022

web apr 12 2023 questions getting the books ra c fa c rence ecn cardiologie en 1000 questions now is not type of inspiring means you could not unaided going

**ra c fa c rence ecn cardiologie en 1000 questions pdf** - Mar 09 2023

web may 13 2023 guides you could enjoy now is ra c fa c rence ecn cardiologie en 1000 questions below keeling s fetal and neonatal pathology t yee khong 2022 01 01

[référence ecn cardiologie en 1000 questions isolées conforme](#) - Jul 13 2023

web lire r f rence ifsi d faillances aniques et download référence ecn cardiologie en 1000 questions isolées conforme à l iecn by joe elie salem february 11th 2020 t a é r u a l a c c b a s e n n e i c n a s e e n Étud la aux sources de ra e n è m a s u tions ciennes vo cipales réalisa n t en études an ri a p ré s u le

**ra c fa c rence ecn cardiologie en 1000 questions pdf** - Jan 07 2023

web jun 20 2023 recognizing the exaggeration ways to acquire this ebook ra c fa c rence ecn cardiologie en 1000 questions pdf is additionally useful you have remained in

**ra c fa c rence ecn cardiologie en 1000 questions** - Jul 01 2022

web 2 ra c fa c rence ecn cardiologie en 1000 questions 2020 07 08 the commissioner of patents and forms volume or part of volume of his annual reports the first being that of

**ra c fa c rence ecn cardiologie en 1000 questions pdf** - Feb 25 2022

web apr 24 2023 1 ra c fa c rence ecn cardiologie en 1000 questions pdf eventually you will completely discover a further experience and talent by spending more cash nevertheless when realize you acknowledge that you require to acquire those every needs next having significantly cash

[ra c fa c rence ecn cardiologie en 1000 questions copy](#) - May 31 2022

web it is not in the region of the costs its about what you craving currently this ra c fa c rence ecn cardiologie en 1000 questions as one of the most full of life sellers here

**ra c fa c rence ecn cardiologie en 1000 questions 2022** - Dec 26 2021

web ra c fa c rence ecn cardiologie en 1000 questions 3 3 complex interactions of several previously unknown proteins the book will give research students a platform for further

**srfac singapore resuscitation and first aid council** - May 11 2023

web welcome the singapore resuscitation and first aid council srfac is formed under the ambit of ministry of health moh which consists of distinguished individuals and

[ra c fa c rence ecn cardiologie en 1000 questions copy](#) - Jan 27 2022

web apr 29 2023 ra c fa c rence ecn cardiologie en 1000 questions is available in our digital library an online access to it is set as public so you can get it instantly our books

**singapore resuscitation and first aid council guidelines for** - Apr 10 2023

web srfac tc guidelines standard child first aid page 3 of 9 srfac sg 07 02 2022 maintains a valid cpr aed bcls aed for sfa or bcls aed for cfa instructor

**ra c fa c rence ecn cardiologie en 1000 questions pdf bill n** - Nov 24 2021

web jun 25 2023 we have the funds for ra c fa c rence ecn cardiologie en 1000 questions pdf and numerous ebook collections from fictions to scientific research in any way in the middle of them is this ra c fa c rence ecn cardiologie en 1000 questions pdf that can be your partner the antiphospholipid syndrome ii ronald a asherson

*singapore resuscitation and first aid council guidelines for* - Jun 12 2023

web are used in the course minimum of 10 questions passing mark is set at 80 and up to three 3 attempts are allowed for each learner theory assessment must include the

[ra c fa c rence ecn cardiologie en 1000 questions pdf](#) - Oct 04 2022

web as this ra c fa c rence ecn cardiologie en 1000 questions pdf it ends stirring living thing one of the favored book ra c fa c rence ecn cardiologie en 1000 questions

[ra c fa c rence ecn cardiologie en 1000 questions 2023](#) - Nov 05 2022

web 2 ra c fa c rence ecn cardiologie en 1000 questions 2023 07 24 or shop tempting boutiques take in a game or take a cruise this book points the way with info on attractions for history lovers sports lovers and food lovers seven great itineraries and four fun day trips public garden the first botanical garden in the u s

**ra c fa c rence ecn cardiologie en 1000 questions copy** - Dec 06 2022

web 2 ra c fa c rence ecn cardiologie en 1000 questions 2022 07 28 eateries to elegant high end dining and unique neighborhood cafes shopping in stores that range from

**ra c fa c rence ecn cardiologie en 1000 questions pdf** - Aug 14 2023

web ra c fa c rence ecn cardiologie en 1000 questions downloaded from ai classmonitor com by guest shannon kaylyn □□□□□□ □□□ a concordance

**la ra c fa c rence au chapitre vii de la charte d** - Apr 29 2022

web them this is an totally simple means to specifically get lead by on line ra c fa c rence ecn cardiologie en 1000 questions download mar 26 2022 web ra c fa c rence ecn

[ra c fa c rence ecn cardiologie en 1000 questions book](#) - Mar 29 2022

web ra c fa c rence ecn cardiologie en 1000 questions cardiologie may 22 2023 la collection inter ecn a été nouvellement créée afin de fournir un cours clair et concis à

*training centre srfac - Feb 08 2023*

web 1 medskills pte ltd 29 bukit pasoh road 02 01 singapore singapore 089843 khoo sin yee cindy edwin leong chee wai 62978123 62978123

**ra c fa c rence ecn cardiologie en 1000 questions** - Sep 15 2023

web 2 ra c fa c rence ecn cardiologie en 1000 questions 2022 02 14 secondary to other conditions infections may also mimic idiopathic vasculitis and the differential diagnosis

**ra c fa c rence ecn cardiologie en 1000 questions book** - Oct 16 2023

web ra c fa c rence ecn cardiologie en 1000 questions néphrologie nov 04 2020 cet ouvrage de cours synthétique traite l ensemble des items de néphrologie du programme

*ra c fa c rence ecn cardiologie en 1000 questions pdf* - Sep 03 2022

web ra c fa c rence ecn cardiologie en 1000 questions downloaded from projects techhut tv by guest hess lin a concordance to conrad s the rescue springer

**tales to give you goosebumps complete set archive org** - Jul 14 2023

web aug 2 2021 all six tales to give you goosebumps books addeddate 2021 08 02 03 57 58 identifier more more tales to give you goosebumps ten spooky stories goosebumps special edi identifier ark ark 13960 t6263qd0b ocr tesseract 5 0 0 alpha 20201231 10 g1236

*more more more tales to give you goosebumps* - Oct 05 2022

web more more more tales to give you goosebumps is the sixth and final book in the tales to give you goosebumps series it was published in 1997 and originally came bundled with a goosebumps themed christmas stocking the cover illustration depicts curly the skeleton snowboarding down a hill as

*30 tales to give you goosebumps r l stine google books* - Jun 01 2022

web scholastic 2004 children s stories american 391 pages a collection of tales featuring such terrors as an evil baby sister a remote control that can control more than just the television set and a boarding school that is turning kids into robots from inside the book

tales to give you goosebumps characters tv tropes - Dec 27 2021

web characters introduced in the tales to give you goosebumps series danger inc kids appear in the house of no return story 1 of 10 three kids named

**more tales to give you goosebumps** - Sep 04 2022

web more tales to give you goosebumps is the second book in the tales to give you goosebumps series it was first published in 1995 and was originally sold with a goosebumps book light the cover illustration depicts curly the skeleton telling stories to a group of skeleton campers around a campfire on the edge of a cliff

[even more tales to give you goosebumps](#) - Apr 30 2022

web even more tales to give you goosebumps is the third book in the tales to give you goosebumps series it was first published in 1996 it originally came packaged with goosebumps themed glow in the dark boxers featuring curly the skeleton  
**still more tales to give you goosebumps** - Jan 28 2022

web still more tales to give you goosebumps is the fourth book in the tales to give you goosebumps series it was first published in 1996 and originally came packaged with special halloween themed goosebumps accessories it included vampire fangs fake vampire blood fake skin and makeup

[30 tales to give you goosebumps by r l stine goodreads](#) - Mar 10 2023

web jan 7 2011 from an evil baby sister to a remote control that can control more than just the television set to a boarding school that s turning kids into robots here are 30 creepy spooky stories guaranteed to give you goosebumps all night long  
**more more more tales to give you goosebumps ten sp** - Feb 26 2022

web oct 1 1997 tales to give you goosebumps 6 more more more tales to give you goosebumps ten spooky stories r l stine 3 91 115 ratings6 reviews includes don t sit on the gronk nutcracker nightmare the ice vampire a holly jolly holiday why i hate jack frost marshmallow surprise monster on the ice the double dip horror

**tales to give you goosebumps 10 spooky stories goodreads** - Feb 09 2023

web oct 1 1994 r l stine from an evil baby sister to a remote control that can control more than just the television set to a teacher who likes snakes a little too much to a cute cuddly bear gone bad here are ten creepy spooky stories guaranteed to  
**tales to give you goosebumps goosebumps wiki fandom** - Aug 15 2023

web tales to give you goosebumps is a series of six books that contain ten short stories in each book making a grand total of sixty tales in total every book in the series came packaged with goosebumps themed merchandise from booklights to  
**tales to give you goosebumps collection archive org** - Jul 02 2022

web jun 8 2023 six special editions of goosebumps each filled with ten short stories addeddate 2023 06 08 13 05 43 identifier

[tales to give you goosebumps 10 spooky stories goosebumps](#) - Dec 07 2022

web jun 1 1997 tales to give you goosebumps 10 spooky stories goosebumps special edition paperback june 1 1997 tells the stories of an evil baby sister a remote control with unexpected powers a teacher fond of snakes and a teddy bear gone bad  
book recommendations author interviews editors picks and more read it now

**tales to give yourself goosebumps scholastic** - Jan 08 2023

web here are ten scary short stories written in typical goosebumps style with page turning suspense and surprise endings guaranteed to keep avid goosebumps readers on the edge of their seats and their beds

*tales to give you goosebumps book* - Jun 13 2023

web tales to give you goosebumps is the first book in the goosebumps series of the same name it was first published in 1994 and was originally sold with a goosebumps book light four of the ten short stories in the book were adapted for television those stories being the house of no return

**tales to give you goosebumps series by r l stine goodreads** - May 12 2023

web tales to give you goosebumps 10 spooky stories by r l stine 3 82 685 ratings 45 reviews published 1994 9 editions includes the house of no return teacher s pet want to read rate it

tales to give you goosebumps 1 by r l stine open library - Mar 30 2022

web jun 8 2022 from an evil baby sister to a remote control that can control more than just the television set to a teacher who s obsessed with snakes to a cute cuddly teddy bear gone bad here are ten creepy spooky stories guaranteed to

tales to give you goosebumps r l stine wiki fandom - Aug 03 2022

web tales to give you goosebumps is a series of six books that contain ten short stories in each book making a grand total of sixty tales in total every book in the series came packaged with goosebumps themed merchandise from booklights to even undergarments some books were based around certain themes such as halloween and

**tales to give you goosebumps literature tv tropes** - Apr 11 2023

web tales to give you goosebumps is the first short story collection from the six book tales to give you goosebumps series containing ten stories and originally released with a goosebumps book light the house of no return three kids dare another kid to go into a supposedly haunted house

**tales to give you goosebumps ten spooky stories google** - Nov 06 2022

web from an evil baby sister to a remote control that can control more than just the television set to a teacher who likes snakes a little too much to a cute cuddly bear gone bad here are ten creepy spooky stories guaranteed to give you goosebumps all night long

**biospharenreservat spreewald wander radwander und** - Apr 25 2023

2 biospharenreservat spreewald wander radwander und 2023 09 10 madagascar wildlife waxmann verlag reviewing the limitations of various planning options this book addresses the debate on how to preserve open space in the context of a growing metropolis the importance of open spaces for well being in urban life is well established

**biospharenreservat spreewald wander radwander und** - Aug 18 2022

biosphärenreservat spreewald wander radwander und geography physical and human spreewald reiseführer michael müller verlag change the arrow of time and divine eternity in light of relativity theory rund um berlin ludwig leichhardt 1813 1848 die niederlausitz und australien the great mindshift landschaftsfotografie in deutschland wild

[biosphärenreservat spreewald wander radwander und pdf](#) - Jun 15 2022

biosphärenreservat spreewald wander radwander und pdf and numerous ebook collections from fictions to scientific research in any way accompanied by them is this biosphärenreservat spreewald wander radwander und pdf that can be your partner hidden agendas jane kelsey 2013 05 01 forget the label free trade agreement the tppa

*biosphärenreservat spreewald wander radwander und* - May 15 2022

adjacent to the proclamation as capably as acuteness of this biosphärenreservat spreewald wander radwander und can be taken as with ease as picked to act i want to ride my bicycle tik tak tuk 2019 11 deutsche nationalbibliographie und bibliographie der im ausland erschienenen deutschsprachigen veröffentlichungen 2000

[unesco biosphärenreservat spreewald](#) - Sep 30 2023

fakten rund um das biosphärenreservat spreewald natur landschaft unser team partner initiative biosphärenreservat spreewald das kuratorium kooperationen mit dem biosphärenreservat unesco 5 ein gemeinschaftsprojekt der lausitzer unesco stätten aktuelles erfolgreiche evaluation durch die unesco

**biosphärenreservat spreewald wander radwander und** - Mar 13 2022

2 biosphärenreservat spreewald wander radwander und 2022 07 31 biosphärenreservat spreewald wander radwander und downloaded from store spiralny com by guest brooklynn colton encyclopedic dictionary of landscape and urban planning sky pony international symposium cottbus germany 6 8 june 1994 zitty deutsche

**biosphärenreservat spreewald wander radwander und** - Jul 29 2023

2 biosphärenreservat spreewald wander radwander und 2022 04 25 history enthusiasts and travellers alike newly discovered species and recently protected habitats are all covered in this fully revised edition also included is practical advice on visiting the key national parks and reserves plus special features on the evolution camouflage

**biosphärenreservat spreewald wander radwander und** - Jul 17 2022

sep 10 2023 quell einmaligen und international ausgezeichneten lebenswassers in form von roggen whiskey tauchen sie ein in die weite und stille der einmaligen auen und moorlandschaft genieen sie die atmosphäre der feuchtwiesen und buchenwlder der region zwischen cottbus und leibsch entdecken sie mit peggy leiverkus

*biosphärenreservat spreewald wander radwander und* - Mar 25 2023

biosphärenreservat spreewald wander radwander und 5 5 des 200 geburtstages des natur und australienforschers ludwig leichhardt durch die brandenburgische technische universität cottbus und das amt lieberose oberspreewa ld veranstaltet

wurde erschienen in der reihe die niederlausitz am

**biosphärenreservat spreewald biosphärenreservat spreewald** - Aug 30 2023

kranichtour unesco biosphärenreservat spreewald eine einzigartige landschaft der spreewald der besondere reiz des spreewaldes liegt in seiner parkartigen von zahlreichen fließen durchzogenen naturnahe auenlandschaft und lebensraum einer reichen tier

*biosphärenreservat spreewald wander radwander und* - Sep 18 2022

biosphärenreservat spreewald wander radwander und 1 biosphärenreservat spreewald wander radwander und yeah reviewing a books biosphärenreservat spreewald wander radwander und could ensue your close links listings this is just one of the solutions for you to be successful as understood endowment does not recommend that you have extraordinary

biosphärenreservat spreewald wander radwander und - Apr 13 2022

geografie klima und wetter Übernachten essen und trinken reisepraktischen tipps von a z und mehr der spreewald grüne oase brandenburgs die auen und moorlandschaft ist als biosphärenreservat geschützt mehr als 250 kilometer wasserstraßen durchziehen den spreewald die feuchtwiesen und buchenwälder des unterspreewaldes bieten

*was ist ein biosphärenreservat biosphärenreservat* - Dec 22 2022

der begriff biosphärenreservat ist zusammengesetzt aus biosphäre lebensraum und reservat von reservare bewahren es geht also darum lebensräume zu bewahren und zwar besonders wertvolle und schützenswerte unesco biosphärenreservate sind regionen in denen experimentell methoden entwickelt werden die einen

**biosphärenreservat spreewald mit karte tipps für deine reise** - Feb 21 2023

sicherlich kommst du wären des urlaubs im biosphärenreservat spreewald in lübbenau vorbei und hast die chance das schloss und die gesamte anlage anzuschauen mehr tipps für deine reise zum schloss lübbenau haben wir in einem einzelnen artikel festgehalten schloss lübbenau und schlosspark rundgang im spreewald walking around lübbenau

**biosphärenreservat spreewald wander radwander und** - Oct 20 2022

aug 4 2023 biosphärenreservat spreewald wander radwander und what you afterward to read change the arrow of time and divine eternity in light of relativity theory daniel saudek 2020 03 19 this book has two aims first to provide a new account of time s arrow in light of relativity theory second to explain how god being eternal

*biosphärenreservat spreewald wander radwander und 2022* - Feb 09 2022

biosphärenreservat spreewald wander radwander und downloaded from helpdesk bricksave com by guest tate sellers wanderungen durch die mark brandenburg dumont reiseverlag dynamism in geography is one of the most important aspects of study of the subject the changing nature of the subject is aptly reflected in the frequent

**biosphärenreservat spreewald wander radwander und** - Jan 23 2023

eine wegstunde von berlin entfernt lassen sich im spreewald mit kahn oder paddelboot dem fahrrad oder zu fuß idyllisch gelegene dörfer alte schlösser und stille waldwege entdecken dieser reiseführer stellt alle sehenswürdigkeiten vor und gibt umfangreiche reisepraktische tipps und viele tourenvorschläge für wanderer radwanderer und

**biosphärenreservat spreewald die 10 besten routen zum wandern** - Jun 27 2023

biosphärenreservat spreewald länge 5 0 km ca 1h 6m idyllische rundwanderung im spreewald brandenburg auf dieser rundtour geht es von lübbenau nach lehde die route lässt das märchenhafte lagunendorf im spreewald mit samt seiner unzähligen inseln wasserwegen und brücken entdecken

**biosphärenreservat spreewald wander radwander und pdf** - May 27 2023

biosphärenreservat spreewald wander radwander und 3 3 fully revised edition also included is practical advice on visiting the key national parks and reserves plus special features on the evolution camouflage night time wildlife and conservation issues brandenburg 2025 in der mitte europas springer wild romanticism consolidates

*biosphärenreservat spreewald wander radwander und* - Nov 20 2022

right here we have countless books biosphärenreservat spreewald wander radwander und and collections to check out we additionally present variant types and plus type of the books to browse