

File Edit Search View Tools PLC Debug Window Help

Open Save New Backup Dashboard **Edit Mode** Accept Undo Cut Copy Paste Find Find Next

Read PLC Write PLC New Online Do-more/Sim Data Debug Trend Memory Status All Status No Status Forces

Project Browser

Control Logic <sorted by type & name>

- SMain
- System Tasks
- Unused System Tasks
- Tasks
- Programs
- Subroutines

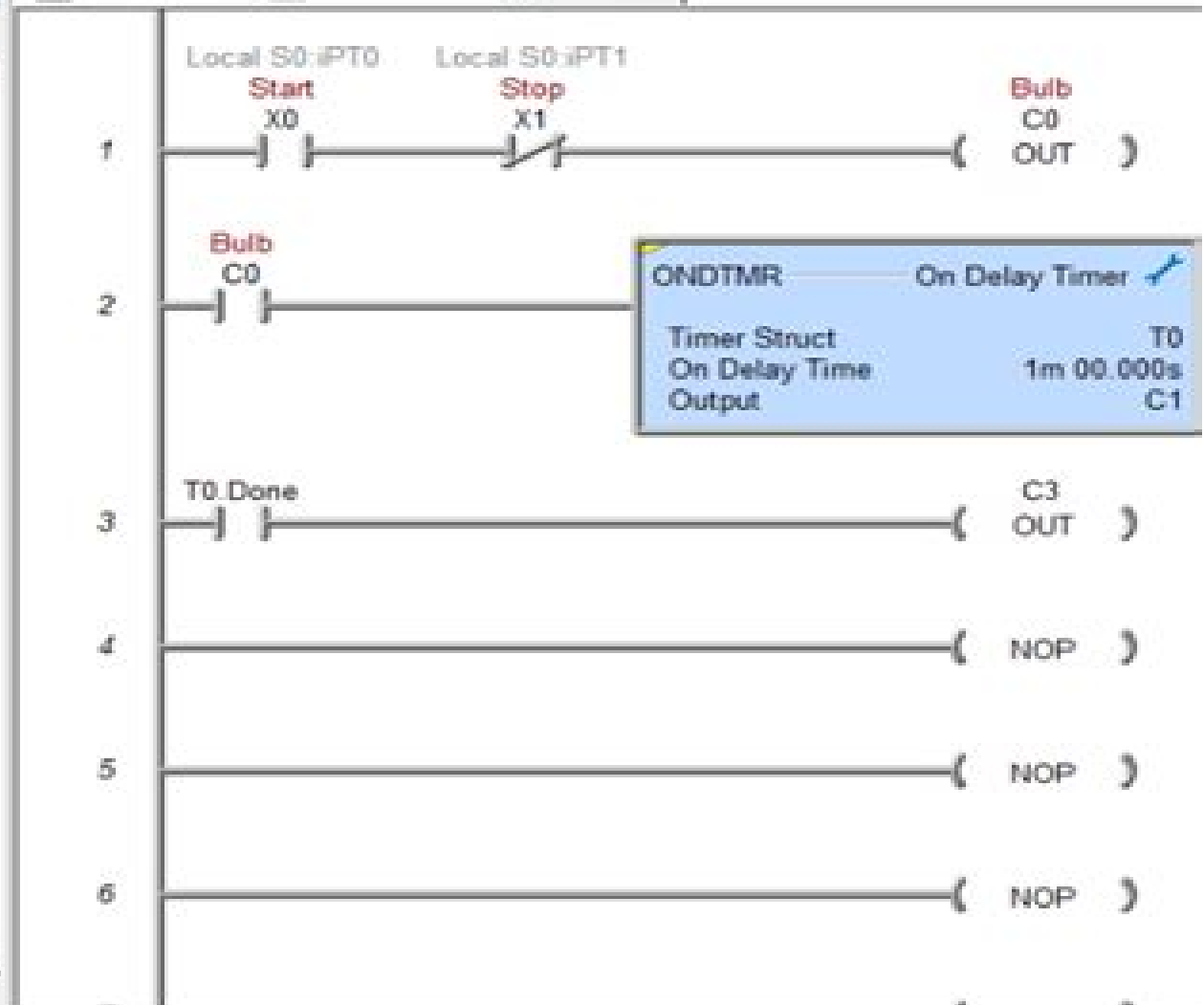
Configuration

- Memory <sorted by function>
- Forces
- CPU
- Devices
- Unassigned Nicknames

Tools

- System Configuration
- System Info
- Password Config

Start Page X Dashboard X **SMain X**



As Software Plc Designer Automation Engineer

T. Schaub, G. Friedrich, B. O'Sullivan

As Software Plc Designer Automation Engineer:

Software Engineering for Manufacturing Systems A. Storr, D.H. Jarvis, 2013-03-09 Software has become a decisive cost and time factor in regard to developing and establishing manufacturing systems and setting them into operation In addition software determines the availability reliability as well as functionality of manufacturing units Software Engineering for Manufacturing Systems considers the methods and procedures required to deal with problems in the software engineering of control technology for manufacturing systems Significantly the following topics are addressed definitions and requirements of software for control technology system design describing forms of control software CASE tools for the generation of a code configuration adaption of standard software variants and re usability of software and man machine interface It contains the selected proceedings of the International Conference on Software Engineering and Case Tools for Control Technology of Manufacturing Systems sponsored by the IFIP and held in Germany in March 1996 *AutomationML* Rainer Drath, 2021-07-19 This book provides a comprehensive in depth look into the practical application of AutomationML Edition 2 from an industrial perspective It is a cookbook for advanced users and describes re usable pattern solutions for a variety of industrial applications and how to implement it in software Just to name some AutomationML modelling of AAS MTP SCD OPC UA Automation Components Automation Projects drive configurations requirement models communication systems electrical interfaces and cables or semantic integration aspects as eClass integration or handling of semantic heterogeneity This book guides through the universe of AutomationML from industrial perspective It is written by AutomationML experts that have industrially implemented AutomationML in pattern solutions for a large variety of applications This book is structured into three major parts Part I software implementation for developers Part II re usable industrial pattern solutions and domain models Part III outlook into future AutomationML applications Additional material to the book and more information about AutomationML on the website <https://www.automationml.org> about automationml publications amlbook

Control Engineering, 1995 Instrumentation and automatic control systems Software Engineering: Emerging Trends and Practices in System Development Radek Silhavy, Petr Silhavy, 2025-11-14 This book discovers peer reviewed research from an international research conference that unites experts in software engineering data science artificial intelligence cybernetics and informatics This book presents cutting edge methods practical case studies and foundational advances that address real world challenges across the computational spectrum Whether you seek rigorous theory proven development practices or visionary perspectives on emerging technologies this book provides a comprehensive resource for researchers practitioners and students committed to shaping the future of digital systems **Multi-Disciplinary Engineering for Cyber-Physical Production Systems** Stefan Biffel, Arndt Lüder, Detlef Gerhard, 2017-05-06 This book discusses challenges and solutions for the required information processing and management within the context of multi disciplinary engineering of production systems The authors consider methods architectures and technologies applicable in use cases according to the

viewpoints of product engineering and production system engineering and regarding the triangle of 1 product to be produced by a 2 production process executed on 3 a production system resource With this book industrial production systems engineering researchers will get a better understanding of the challenges and requirements of multi disciplinary engineering that will guide them in future research and development activities Engineers and managers from engineering domains will be able to get a better understanding of the benefits and limitations of applicable methods architectures and technologies for selected use cases IT researchers will be enabled to identify research issues related to the development of new methods architectures and technologies for multi disciplinary engineering pushing forward the current state of the art **Industry**

Applications Society ... IEEE/IAS International Conference on Industrial Automation and Control (IA&C ...), 1995

Discrete Event Systems 2004 (WODES'04) Janan Zaytoon, 2005-12-22 Approx 484 pages **Thomas Register of**

American Manufacturers and Thomas Register Catalog File, 2002 Vols for 1970 71 includes manufacturers catalogs

Computerworld, 1999-03-15 For more than 40 years Computerworld has been the leading source of technology news and information for IT influencers worldwide Computerworld s award winning Web site Computerworld com twice monthly publication focused conference series and custom research form the hub of the world s largest global IT media network

Thomas Register of American Manufacturers, 2002 This basic source for identification of U S manufacturers is arranged by product in a large multi volume set Includes Products services Company profiles and Catalog file **Thomas Register**

,2004 *PRODUCTS & SERVICES*, 2005 **Electronics World**, 1999 *Design News*, 2007 **Regional Industrial Buying Guide**, 1999 **ECAI 2014** T. Schaub, G. Friedrich, B. O'Sullivan, 2014-08 The role of artificial intelligence AI

applications in fields as diverse as medicine economics linguistics logical analysis and industry continues to grow in scope and importance AI has become integral to the effective functioning of much of the technical infrastructure we all now take for granted as part of our daily lives This book presents the papers from the 21st biennial European Conference on Artificial Intelligence ECAI 2014 held in Prague Czech Republic in August 2014 The ECAI conference remains Europe s principal opportunity for researchers and practitioners of Artificial Intelligence to gather and to discuss the latest trends and challenges in all subfields of AI as well as to demonstrate innovative applications and uses of advanced AI technology

Included here are the 158 long papers and 94 short papers selected for presentation at the conference Many of the papers cover the fields of knowledge representation reasoning and logic as well as agent based and multi agent systems machine learning and data mining The proceedings of PAIS 2014 and the PAIS System Demonstrations are also included in this volume which will be of interest to all those wishing to keep abreast of the latest developments in the field of AI 2005

Thomas Register, 2005 Who's Hiring 1999 Mediacorp Canada, Incorporated, 1998-10 Electronic Engineering, 1994

International Who's Who of Entrepreneurs Debbie Kraak, 2000-10

When somebody should go to the ebook stores, search launch by shop, shelf by shelf, it is essentially problematic. This is why we give the books compilations in this website. It will categorically ease you to look guide **As Software Plc Designer Automation Engineer** as you such as.

By searching the title, publisher, or authors of guide you really want, you can discover them rapidly. In the house, workplace, or perhaps in your method can be every best place within net connections. If you aspire to download and install the As Software Plc Designer Automation Engineer, it is very simple then, back currently we extend the belong to to purchase and create bargains to download and install As Software Plc Designer Automation Engineer appropriately simple!

https://py.bijouxmedusa.com/data/detail/HomePages/Mind_Control_The_Ancient_Art_Of_Psychological_Warfare.pdf

Table of Contents As Software Plc Designer Automation Engineer

1. Understanding the eBook As Software Plc Designer Automation Engineer
 - The Rise of Digital Reading As Software Plc Designer Automation Engineer
 - Advantages of eBooks Over Traditional Books
2. Identifying As Software Plc Designer Automation Engineer
 - Exploring Different Genres
 - Considering Fiction vs. Non-Fiction
 - Determining Your Reading Goals
3. Choosing the Right eBook Platform
 - Popular eBook Platforms
 - Features to Look for in an As Software Plc Designer Automation Engineer
 - User-Friendly Interface
4. Exploring eBook Recommendations from As Software Plc Designer Automation Engineer
 - Personalized Recommendations
 - As Software Plc Designer Automation Engineer User Reviews and Ratings
 - As Software Plc Designer Automation Engineer and Bestseller Lists

5. Accessing As Software Plc Designer Automation Engineer Free and Paid eBooks
 - As Software Plc Designer Automation Engineer Public Domain eBooks
 - As Software Plc Designer Automation Engineer eBook Subscription Services
 - As Software Plc Designer Automation Engineer Budget-Friendly Options
6. Navigating As Software Plc Designer Automation Engineer eBook Formats
 - ePub, PDF, MOBI, and More
 - As Software Plc Designer Automation Engineer Compatibility with Devices
 - As Software Plc Designer Automation Engineer Enhanced eBook Features
7. Enhancing Your Reading Experience
 - Adjustable Fonts and Text Sizes of As Software Plc Designer Automation Engineer
 - Highlighting and Note-Taking As Software Plc Designer Automation Engineer
 - Interactive Elements As Software Plc Designer Automation Engineer
8. Staying Engaged with As Software Plc Designer Automation Engineer
 - Joining Online Reading Communities
 - Participating in Virtual Book Clubs
 - Following Authors and Publishers As Software Plc Designer Automation Engineer
9. Balancing eBooks and Physical Books As Software Plc Designer Automation Engineer
 - Benefits of a Digital Library
 - Creating a Diverse Reading Collection As Software Plc Designer Automation Engineer
10. Overcoming Reading Challenges
 - Dealing with Digital Eye Strain
 - Minimizing Distractions
 - Managing Screen Time
11. Cultivating a Reading Routine As Software Plc Designer Automation Engineer
 - Setting Reading Goals As Software Plc Designer Automation Engineer
 - Carving Out Dedicated Reading Time
12. Sourcing Reliable Information of As Software Plc Designer Automation Engineer
 - Fact-Checking eBook Content of As Software Plc Designer Automation Engineer
 - Distinguishing Credible Sources
13. Promoting Lifelong Learning

- Utilizing eBooks for Skill Development
 - Exploring Educational eBooks
14. Embracing eBook Trends
- Integration of Multimedia Elements
 - Interactive and Gamified eBooks

As Software Plc Designer Automation Engineer Introduction

As Software Plc Designer Automation Engineer Offers over 60,000 free eBooks, including many classics that are in the public domain. Open Library: Provides access to over 1 million free eBooks, including classic literature and contemporary works. As Software Plc Designer Automation Engineer Offers a vast collection of books, some of which are available for free as PDF downloads, particularly older books in the public domain. As Software Plc Designer Automation Engineer : This website hosts a vast collection of scientific articles, books, and textbooks. While it operates in a legal gray area due to copyright issues, its a popular resource for finding various publications. Internet Archive for As Software Plc Designer Automation Engineer : Has an extensive collection of digital content, including books, articles, videos, and more. It has a massive library of free downloadable books. Free-eBooks As Software Plc Designer Automation Engineer Offers a diverse range of free eBooks across various genres. As Software Plc Designer Automation Engineer Focuses mainly on educational books, textbooks, and business books. It offers free PDF downloads for educational purposes. As Software Plc Designer Automation Engineer Provides a large selection of free eBooks in different genres, which are available for download in various formats, including PDF. Finding specific As Software Plc Designer Automation Engineer, especially related to As Software Plc Designer Automation Engineer, might be challenging as theyre often artistic creations rather than practical blueprints. However, you can explore the following steps to search for or create your own Online Searches: Look for websites, forums, or blogs dedicated to As Software Plc Designer Automation Engineer, Sometimes enthusiasts share their designs or concepts in PDF format. Books and Magazines Some As Software Plc Designer Automation Engineer books or magazines might include. Look for these in online stores or libraries. Remember that while As Software Plc Designer Automation Engineer, sharing copyrighted material without permission is not legal. Always ensure youre either creating your own or obtaining them from legitimate sources that allow sharing and downloading. Library Check if your local library offers eBook lending services. Many libraries have digital catalogs where you can borrow As Software Plc Designer Automation Engineer eBooks for free, including popular titles. Online Retailers: Websites like Amazon, Google Books, or Apple Books often sell eBooks. Sometimes, authors or publishers offer promotions or free periods for certain books. Authors Website Occasionally, authors provide excerpts or short stories for free on their websites. While this might not be the As Software Plc Designer Automation

Engineer full book , it can give you a taste of the authors writing style.Subscription Services Platforms like Kindle Unlimited or Scribd offer subscription-based access to a wide range of As Software Plc Designer Automation Engineer eBooks, including some popular titles.

FAQs About As Software Plc Designer Automation Engineer Books

1. Where can I buy As Software Plc Designer Automation Engineer books? Bookstores: Physical bookstores like Barnes & Noble, Waterstones, and independent local stores. Online Retailers: Amazon, Book Depository, and various online bookstores offer a wide range of books in physical and digital formats.
2. What are the different book formats available? Hardcover: Sturdy and durable, usually more expensive. Paperback: Cheaper, lighter, and more portable than hardcovers. E-books: Digital books available for e-readers like Kindle or software like Apple Books, Kindle, and Google Play Books.
3. How do I choose a As Software Plc Designer Automation Engineer book to read? Genres: Consider the genre you enjoy (fiction, non-fiction, mystery, sci-fi, etc.). Recommendations: Ask friends, join book clubs, or explore online reviews and recommendations. Author: If you like a particular author, you might enjoy more of their work.
4. How do I take care of As Software Plc Designer Automation Engineer books? Storage: Keep them away from direct sunlight and in a dry environment. Handling: Avoid folding pages, use bookmarks, and handle them with clean hands. Cleaning: Gently dust the covers and pages occasionally.
5. Can I borrow books without buying them? Public Libraries: Local libraries offer a wide range of books for borrowing. Book Swaps: Community book exchanges or online platforms where people exchange books.
6. How can I track my reading progress or manage my book collection? Book Tracking Apps: Goodreads, LibraryThing, and Book Catalogue are popular apps for tracking your reading progress and managing book collections. Spreadsheets: You can create your own spreadsheet to track books read, ratings, and other details.
7. What are As Software Plc Designer Automation Engineer audiobooks, and where can I find them? Audiobooks: Audio recordings of books, perfect for listening while commuting or multitasking. Platforms: Audible, LibriVox, and Google Play Books offer a wide selection of audiobooks.
8. How do I support authors or the book industry? Buy Books: Purchase books from authors or independent bookstores. Reviews: Leave reviews on platforms like Goodreads or Amazon. Promotion: Share your favorite books on social media or recommend them to friends.

9. Are there book clubs or reading communities I can join? Local Clubs: Check for local book clubs in libraries or community centers. Online Communities: Platforms like Goodreads have virtual book clubs and discussion groups.
10. Can I read As Software Plc Designer Automation Engineer books for free? Public Domain Books: Many classic books are available for free as they're in the public domain. Free E-books: Some websites offer free e-books legally, like Project Gutenberg or Open Library.

Find As Software Plc Designer Automation Engineer :

[mind control the ancient art of psychological warfare](#)

[microbiology an introduction 11th edition tortora funke and case](#)

[mergers acquisitions pwc](#)

modern accounting seventh edition hilton solutions

medical instrumentation application and design 4th edition solution problems pdf

[mga halimbawa ng talumpati tungkol sa pag ibigga halimbawa](#)

[mig welding manual](#)

[mercedes w203 workshop](#)

[michael cunningham the hours pdf](#)

[mechanics of materials rc hibbeler solution manual](#)

[microsoft ado-net](#)

[mechatronics by r k rajput leotgagun yolasite](#)

[microservices with docker on microsoft azure includes content update program addison wesley microsoft technology series](#)

midas civil 2016 tutorial pdf

[microsoft visual basic 2010 for windows applications for windows web office and database applications comprehensive](#)

As Software Plc Designer Automation Engineer :

mystic chords mysticism and psychology in popular music - Jul 13 2023

web 4 50 2 ratings0 reviews rock and roll and archetypal symbolism citing baby boomer favorites including bob dylan bob marley the beatles and other rock greats the author

mystic chords mysticism and psychology in popular music - Sep 03 2022

web using illustrative references to passages from the bhagavad gita and the bible carl jung and sigmund freud joseph

campbell and the tao te ching manish soni highlights

mystic chords mysticism and psychology in popular music pdf - Aug 14 2023

web mystic chords mysticism and psychology in popular music pdf 7fdscgcodfq0 rock and roll and archetypal symbolism

citing baby boomer favorites including bob dylan

mystic chords mysticism and psychology in popular music - Jul 01 2022

web details for mystic chords mysticism and psychology in popular music normal view marc view isbd view mystic chords

mysticism and psychology in popular music

mystic chords mysticism and psychology in popular music - Feb 08 2023

web mystic chords mysticism and psychology in popular music manish soni algora publishing 2001 mysticism 224 pages 0

reviews reviews aren t verified but google

mystic chords mysticism and psychology in popular music - Apr 29 2022

web jan 1 2002 mystic chords mysticism and psychology in popular music by manish soni isbn13 9781892941701 isbn10

1892941708 format paperback copyright

mystic chords mysticism and psychology in popular music - Dec 26 2021

web all the words

mystic chords mysticism and psychology in popular - Jan 27 2022

web mystic chords mysticism and psychology in popular music manish soni john denver rock n pop stars charles morse

history of the state of vermont from its earliest

mystic chords mysticism and psychology in popular music - Jun 12 2023

web mysticism illusory nature of the world and unity of all consciousness realization of the unity love as mystical union

transforming perception the original state of mind

mystic chords definition and meaning wordnik - Nov 24 2021

web 1 mystic chords part two psychology 101 chapter 5 psychology and mysticism 103 the similarities 103 the differences

106 the nature of the unconscious

mystic chords mysticism and psychology in popular music - Dec 06 2022

web mystic chords book read reviews from world s largest community for readers rock n roll and archetypal symbolism citing

baby boomer favorites including

mystic chords mysticism and psychology in popular music - May 11 2023

web mystic chords mysticism and psychology in popular music soni manish amazon com tr kitap

mystic chords mysticism and psychology in popular - Nov 05 2022

web mystic chords mysticism and psychology in popular music manish soni algora publishing 2001 music 244 pages 0 reviews reviews aren t verified but google

mystic chords mysticism and psychology in popular music pdf - Mar 09 2023

web read download pdf mystic chords mysticism and psychology in popular music free update the latest version with high quality try now

mystic chords mysticism and psychology in popular music pdf - Oct 24 2021

mystic chords mysticism and psychology in popular music - May 31 2022

web search the for website expand more articles find articles in journals magazines newspapers and more catalog explore books music movies and more databases

mystic chords mysticism and psychology in popular music - Aug 02 2022

web jan 1 2002 mystic chords mysticism and psychology in popular music manish soni 9781892941701 books amazon ca

mystic chords mysticism and psychology in popular music - Mar 29 2022

web the perceptual experience of the major and minor modes of chords mystic chords mysticism and psychology in popular downloaded from a3 phasescientific com by

mystic chords mysticism and psychology in popular music - Oct 04 2022

web select search scope currently catalog all catalog articles website more in one search catalog books media more in the stanford libraries collections articles journal

mystic chords mysticism and psychology in popular music - Jan 07 2023

web contents introduction part one mysticism chapter 1 the spirit of mysticism chapter 2 the nature of the world and the self chapter 3 awakening of the true self

mystic chords mysticism and psychology in popular - Feb 25 2022

web mystic chords mysticism and psychology in popular 3 3 write and dictated her remarkable story late in life it remains an extraordinary record of human faith and a

mystic chords mysticism and psychology in popular music - Apr 10 2023

web feb 7 2008 what emerges is a view of rock and roll as a means of expression of the archetypal symbols that have made their way through to human consciousness down

chapter 2 - Jan 09 2023

web generic two three day lesson plan for wheelock s latin this is simply a generic plan suggesting in the barest outline the sorts of activities that might be

[workbook for wheelocks latin answers harpercollins](#) - Mar 11 2023

web teacher s guide and answer key for wheelock s latin chapter 2 1 chapter 2 rev june 13 2006 intellegenda objectives upon completion of this chapter

[answer key for workbook for wheelock s latin r latin reddit](#) - Oct 06 2022

web this teacher guide and answer key wheelock latin as one of the most functioning sellers here will enormously be among the best options to review explode the code 1

the official teacher s guide and for wheelock s latin - Apr 12 2023

web the official teacher s guide and answer key for wheelock s latin 6th edition revised by richard a lafleur librarything

teacher guide and answer key wheelock latin download - Aug 04 2022

web those all we have the funds for teacher guide and answer key wheelock latin and numerous ebook collections from fictions to scientific research in any way in the

[teacher guide and answer key wheelock latin pdf](#) - Jun 02 2022

web jan 26 2023 teacher guide and answer key wheelock latin 4 14 downloaded from secure docs lenderhomepage com on by guest familiar with the works of the great latin

a comprehensive guide to wheelock s latin newly revised for - Dec 08 2022

web 1 oldpersonname 7 mo ago in case you re still interested or for anyone else who wanders by the workbook answer key is on amazon you can read it on kindle with

teacher guide and answer key wheelock latin - Mar 31 2022

web textbook answer keys the answers are included for the worksheets quizzes and tests found in this teacher guide schedule a suggested calendar schedule is provided for

[teacher guide and answer key wheelock latin pdf](#) - Jul 03 2022

web teacher guide and answer key wheelock latin 3 3 dialogs are drawn from contemporary hawaiian family life extensive classroom testing was used in developing

pdf workbook for wheelock s latin free download pdf - Sep 05 2022

web reading power 1 teacher s guide with answer key teacher guide answers passage reading level 1 k12 pre algebra a teacher guide answer key semesters 1

teacher s guide and answer key for wheelock s latin - Oct 18 2023

web teacher s guide and answer key for wheelock s latin intellegenda objectives upon completion of this chapter students should be able to name the

the official wheelock s latin series website - Aug 16 2023

web chevron right february 2023 chevron right 4 chevron right teachers guide and answer key for wheelocks latin content type user generated school mater salutis college
teacher guide and answer key wheelock latin microsoft press - Nov 26 2021

wheelock s latin 7th edition answer key pdf - Jul 15 2023

web any use whatsoever of published or online translations answer keys teacher s guides or any such resources whatever the source is strictly prohibited the penalties for

the official teacher s guide and answer key for wheelock s - Feb 10 2023

web jan 1 2001 this study guide to accompanies the 6th edition pub 2000 of a standard introductory latin text wheelock s latin this guide expands and explains important

teachers guide and answer key for wheelocks latin studypool - Jun 14 2023

web the officialteacher s guide and answer keyforwheelock s latin6 edition revisedthrichard a lafleuruniversity of georgia rev 4 18 07 watch for changes in

generic two three day lesson plan for - Nov 07 2022

web apr 25 2016 preface this answer key is provided for the convenience of teachers who have adopted the new workbook for wheelock s latin 3rd ed revised 2000 for use in

teacher guide and answer key wheelock latin download - Jan 29 2022

web jun 5 2023 practical ideas and strategies to motivate and engage learners of latin a comprehensive guide to wheelock s latin dale a grote 2000 a study guide to

teacher guide and answer key wheelock latin download - Dec 28 2021

teacher guide and answer key wheelock latin 2022 - May 01 2022

web teacher guide and answer key wheelock latin 1 teacher guide and answer key wheelock latin grammar usage and mechanics level 4 beginning hawaiian español

latīna mi latn 1001 elementary latin i wheelock s latin - May 13 2023

web workbook for wheelocks latin answers harpercollins answer key for workbook for wheelock s latin studocu the answer key for the workbook for wheelocks latin

the official teacher s guide and for wheelock s latin - Sep 17 2023

web the official teacher s guide and answer key for wheelock s latin th 6 edition revised richard a lafleure university of georgia rev 4 18 07 watch for

teacher guide and answer key wheelock latin pdf - Feb 27 2022

web 4 teacher guide and answer key wheelock latin 2022 12 31 for the story holes written by louis sachar this resource includes comprehension and critical thinking questions

plato learning answer key chemistry 102 pdf pdf - Apr 03 2022

web jun 1 2023 you could buy lead plato learning answer key chemistry 102 pdf or acquire it as soon as feasible you could quickly download this plato learning answer key chemistry 102 pdf after getting deal

plato learning answer key pdf free download docplayer - Oct 21 2023

web plato s justice plato philosophy and teaching plato s justice plato philosophy and teaching to identify plato s parts of the soul and the concept of rooms government and religious from book ii of the republic and answer the questions at the end this pdf book provide plato government test answers document

plato learning answer key chemistry 102 online kptm edu my - Aug 07 2022

web plato learning answer key chemistry 102 comparative government easy peasy all in one high school the works of john adams vol 10 letters 1811 1825 may 11th 2018 faqs for plato science now available to homeschoolers through the

homeschool buyers co op quantum approaches to consciousness stanford encyclopedia april 28th

plato learning answer key chemistry 102 download only ahua ac - Sep 20 2023

web oct 30 2023 plato learning answer key chemistry 102 2016 09 29 4 14 plato learning answer key chemistry 102

learning our language answer key book 1 1974 as a fourth semester text enlaces is poised to strengthen students language skills and cultural competency through contextualized vocabulary presentations films and more all of which

plato belajar jadi mudah bareng lms erp dan social learning - Nov 10 2022

web institusi yang mendapatkan vote terbanyak akan kami prioritaskan untuk menggunakan plato plato adalah lms erp dan social learning platform untuk pendidikan yang membantu kamu membangun ekosistem yang berkembang untuk sekolah kampus dan bisnis edukasi kamu

plato learning answer key chemistry 102 uniport edu - Jan 12 2023

web jul 10 2023 getting this info acquire the plato learning answer key chemistry 102 connect that we have the funds for here and check out the link you could purchase lead plato learning answer key chemistry 102 or get it as soon as feasible you could speedily download this plato learning answer key chemistry 102 after getting deal

e pub plato learning answer key chemistry 102 free pdf - Sep 08 2022

web aug 22 2023 e pub plato learning answer key chemistry 102 free pdf 17 years chapterwise solutions chemistry jee main 2020 jun 13 2022 while preparing for class xii board exams many students often burn the midnight oil

plato web answers key for chemistry 2023 - Mar 14 2023

web platoweb answers key for chemistry the first step in chemistry key nov 13 2021 concepts in chemistry aug 23 2022 integrated physics and chemistry ipc answer key units 1 10 res apr 26 2020 key individual answer key for integrated physics and chemistry ipc units 1 10 modern chemistry jul 10 2021 the key dec 03 2020

free plato learning answer key chemistry 102 - Apr 15 2023

web plato learning answer key chemistry 102 panorama 2 e workbook video manual answer key jan 01 2023 spin 1 workbook answer key jun 13 2021 spin is a three level course that takes students on an adventure in english language learning as they discover the sights and sounds of national geographic supported by original

plato life philosophy quotes history - Jun 17 2023

web nov 9 2009 here are some of plato s most famous quotes love is a serious mental disease when the mind is thinking it is talking to itself human behavior flows from three main

plato learning answer key chemistry 102 pdf uniport edu - Jul 18 2023

web may 15 2023 plato learning answer key chemistry 102 1 6 downloaded from uniport edu ng on may 15 2023 by guest plato learning answer key chemistry 102 as recognized adventure as skillfully as experience virtually lesson amusement as with ease as covenant can be gotten by just checking out a books plato learning answer key

plato learning answers key to integrated science download only - Aug 19 2023

web plato learning answers key to integrated science a key to the intellectual arithmetic containing answers and solutions of the more difficult examples in that work jun 30 2023 key to the new practical arithmetic sep 29 2020 book of job unfolded answer key jul 08 2021 suena answer key aug 21 2022

plato learning answer key chemistry 102 pdf pdf - Mar 02 2022

web may 28 2023 mannerism to acquire those all we offer plato learning answer key chemistry 102 pdf and numerous books collections from fictions to scientific research in any way along with them is this plato learning answer key chemistry 102 pdf that can be your partner

plato learning answer key chemistry 102 full pdf usa tgifridays - Dec 11 2022

web this is the first time the entire work is available in english in his introductory essay translator ramon j betanzos surveys dilthey s life and thought and hails his efforts to create a foundational science for the particular human sciences and at the same time takes serious issue with dilthey s historical critical evaluation of metaphysics

platoweb answers key for chemistry cyberlab sutd edu sg - Jun 05 2022

web platoweb answers key for chemistry a self study guide to the principles of organic chemistry jan 09 2021 the key courses perform better in upper level courses gain more satisfaction in learning the chemistry exam vocabulary workbook is different from traditional review books because it focuses on the exam s insider s

platoweb answers key for chemistry pdf - Feb 13 2023

web learn the secret to success on the chemistry course and exams ever wonder why learning comes so easily to some people this remarkable book reveals a system that shows you how to learn faster easier and without frustration by mastering the hidden language of the exam you will be poised to tackle the toughest of questions with ease

plato answer key for chemistry pdf 2023 - Oct 09 2022

web 3 answer key chemistry 102 web plato learning answer key chemistry 102 panorama 2 e workbook video manual answer key jan 01 2023 spin 1 workbook answer key jun

plato tagalog english dictionary online - May 04 2022

web ang daigdig ay may pitong malalaking plato o kontinente na gumagalaw at umaanod nang papalayo sa isa t isa minsan nagkakabanggaan sila kung kaya t nagkakaroon ng lindol si plato pléy to ay pilosopong griyego na disipulo ni socrates at guro ni aristotle plato was a greek philosopher who was a disciple of socrates and teacher of aristotle

plato learning answer key chemistry 102 pdf book - Jul 06 2022

web mar 11 2023 hundreds times for their chosen novels like this plato learning answer key chemistry 102 pdf but end up in infectious downloads rather than enjoying a good book with a cup of tea in the afternoon instead they juggled with some infectious virus inside their laptop plato learning answer key chemistry 102 pdf is available in our

plato learning answer key chemistry 102 pdf - May 16 2023

web chemistry 102 getting the books plato learning answer key chemistry 102 now is not type of challenging means you could not unaccompanied going subsequent to ebook deposit or library or borrowing from your connections to log on them this is an very simple means to specifically get lead by on line this online pronouncement plato learning