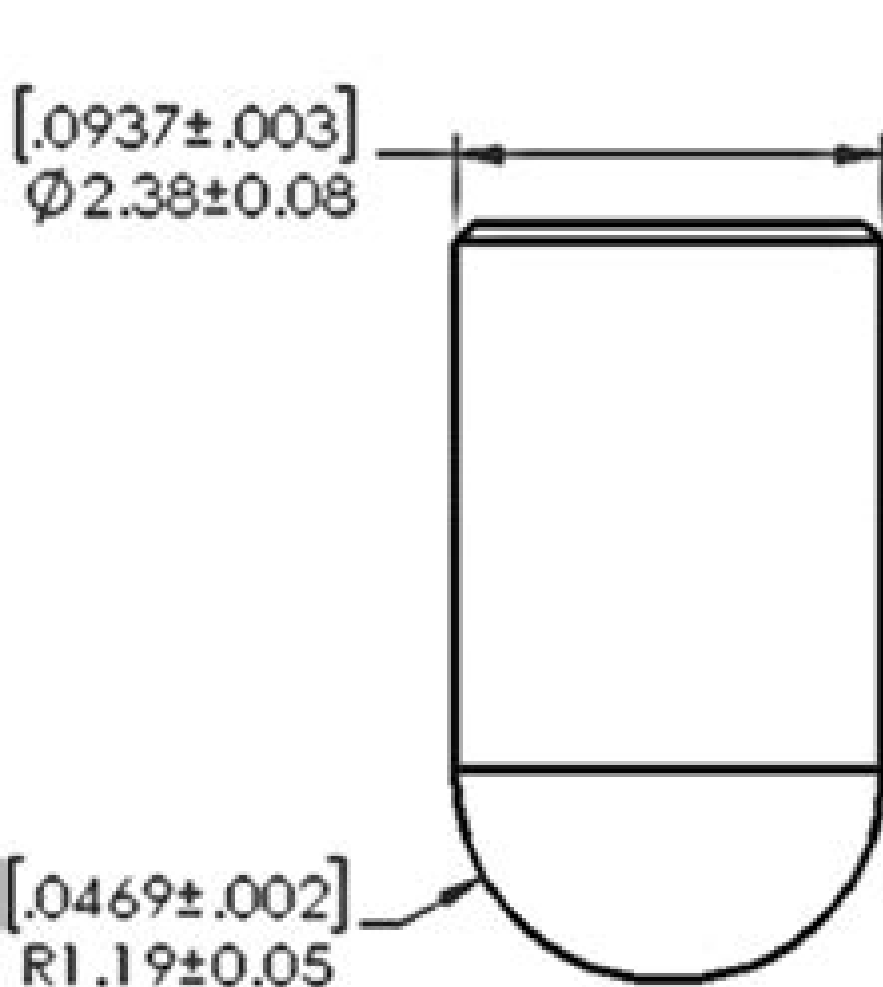
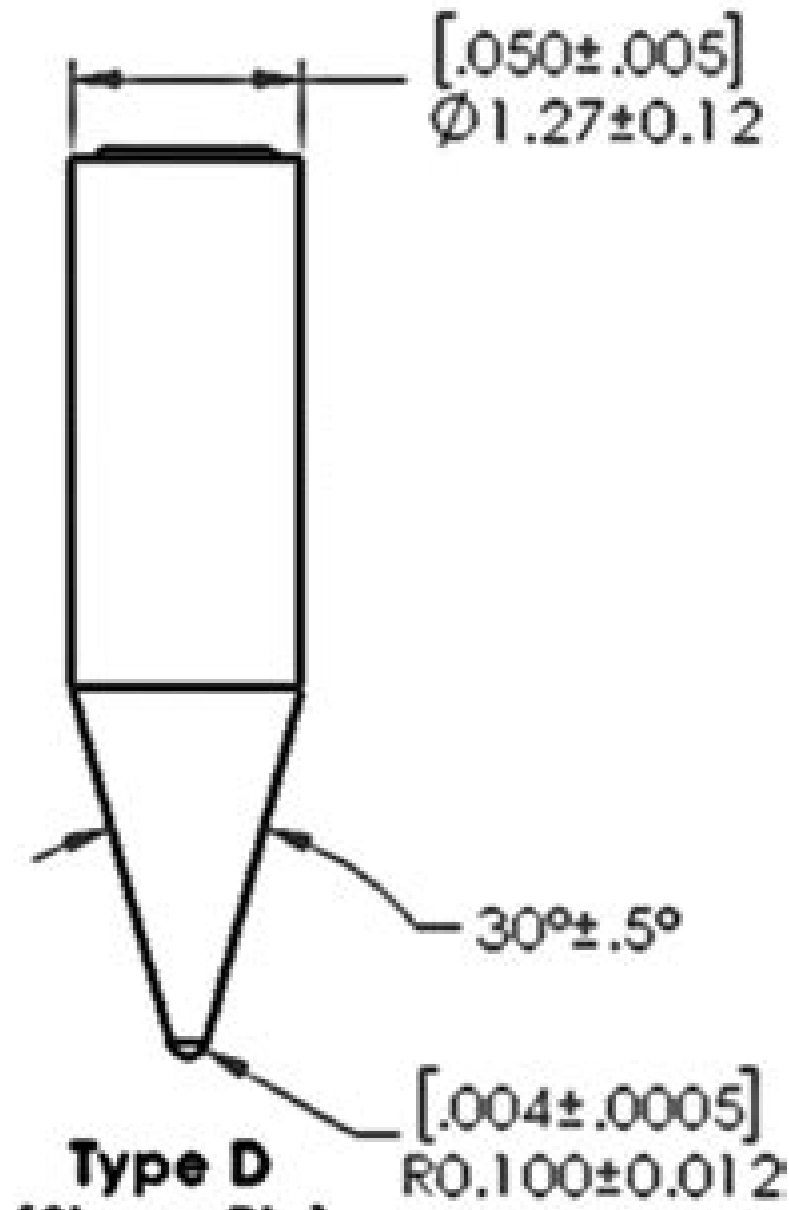


ASTM D2240 Indentor Pins Used for Partial Puncture Testing



Type OO
(Blunt Pin)



Type D
(Sharp Pin)

[Inches]
mm

Astm D 2240 Guide

Patrick Vollmar



Astm D 2240 Guide:

Recognizing the way ways to get this books **Astm D 2240 Guide** is additionally useful. You have remained in right site to begin getting this info. acquire the Astm D 2240 Guide join that we have enough money here and check out the link.

You could buy guide Astm D 2240 Guide or acquire it as soon as feasible. You could quickly download this Astm D 2240 Guide after getting deal. So, afterward you require the book swiftly, you can straight acquire it. Its for that reason extremely easy and so fats, isnt it? You have to favor to in this expose

<https://py.bijouxmedusa.com/data/book-search/default.aspx/57%201466%20side%20hustles%20examples%20usa%2057%202676%20side%20hustles%20examples%20for.pdf>

Table of Contents Astm D 2240 Guide

1. Understanding the eBook Astm D 2240 Guide
 - The Rise of Digital Reading Astm D 2240 Guide
 - Advantages of eBooks Over Traditional Books
2. Identifying Astm D 2240 Guide
 - Exploring Different Genres
 - Considering Fiction vs. Non-Fiction
 - Determining Your Reading Goals
3. Choosing the Right eBook Platform
 - Popular eBook Platforms
 - Features to Look for in an Astm D 2240 Guide
 - User-Friendly Interface
4. Exploring eBook Recommendations from Astm D 2240 Guide
 - Personalized Recommendations
 - Astm D 2240 Guide User Reviews and Ratings
 - Astm D 2240 Guide and Bestseller Lists
5. Accessing Astm D 2240 Guide Free and Paid eBooks

- Astm D 2240 Guide Public Domain eBooks
 - Astm D 2240 Guide eBook Subscription Services
 - Astm D 2240 Guide Budget-Friendly Options
6. Navigating Astm D 2240 Guide eBook Formats
- ePub, PDF, MOBI, and More
 - Astm D 2240 Guide Compatibility with Devices
 - Astm D 2240 Guide Enhanced eBook Features
7. Enhancing Your Reading Experience
- Adjustable Fonts and Text Sizes of Astm D 2240 Guide
 - Highlighting and Note-Taking Astm D 2240 Guide
 - Interactive Elements Astm D 2240 Guide
8. Staying Engaged with Astm D 2240 Guide
- Joining Online Reading Communities
 - Participating in Virtual Book Clubs
 - Following Authors and Publishers Astm D 2240 Guide
9. Balancing eBooks and Physical Books Astm D 2240 Guide
- Benefits of a Digital Library
 - Creating a Diverse Reading Collection Astm D 2240 Guide
10. Overcoming Reading Challenges
- Dealing with Digital Eye Strain
 - Minimizing Distractions
 - Managing Screen Time
11. Cultivating a Reading Routine Astm D 2240 Guide
- Setting Reading Goals Astm D 2240 Guide
 - Carving Out Dedicated Reading Time
12. Sourcing Reliable Information of Astm D 2240 Guide
- Fact-Checking eBook Content of Astm D 2240 Guide
 - Distinguishing Credible Sources
13. Promoting Lifelong Learning
- Utilizing eBooks for Skill Development

- Exploring Educational eBooks
14. Embracing eBook Trends
- Integration of Multimedia Elements
 - Interactive and Gamified eBooks

Astm D 2240 Guide Introduction

Free PDF Books and Manuals for Download: Unlocking Knowledge at Your Fingertips In todays fast-paced digital age, obtaining valuable knowledge has become easier than ever. Thanks to the internet, a vast array of books and manuals are now available for free download in PDF format. Whether you are a student, professional, or simply an avid reader, this treasure trove of downloadable resources offers a wealth of information, conveniently accessible anytime, anywhere. The advent of online libraries and platforms dedicated to sharing knowledge has revolutionized the way we consume information. No longer confined to physical libraries or bookstores, readers can now access an extensive collection of digital books and manuals with just a few clicks. These resources, available in PDF, Microsoft Word, and PowerPoint formats, cater to a wide range of interests, including literature, technology, science, history, and much more. One notable platform where you can explore and download free Astm D 2240 Guide PDF books and manuals is the internets largest free library. Hosted online, this catalog compiles a vast assortment of documents, making it a veritable goldmine of knowledge. With its easy-to-use website interface and customizable PDF generator, this platform offers a user-friendly experience, allowing individuals to effortlessly navigate and access the information they seek. The availability of free PDF books and manuals on this platform demonstrates its commitment to democratizing education and empowering individuals with the tools needed to succeed in their chosen fields. It allows anyone, regardless of their background or financial limitations, to expand their horizons and gain insights from experts in various disciplines. One of the most significant advantages of downloading PDF books and manuals lies in their portability. Unlike physical copies, digital books can be stored and carried on a single device, such as a tablet or smartphone, saving valuable space and weight. This convenience makes it possible for readers to have their entire library at their fingertips, whether they are commuting, traveling, or simply enjoying a lazy afternoon at home. Additionally, digital files are easily searchable, enabling readers to locate specific information within seconds. With a few keystrokes, users can search for keywords, topics, or phrases, making research and finding relevant information a breeze. This efficiency saves time and effort, streamlining the learning process and allowing individuals to focus on extracting the information they need. Furthermore, the availability of free PDF books and manuals fosters a culture of continuous learning. By removing financial barriers, more people can access educational resources and pursue lifelong learning, contributing to personal growth and professional development. This democratization of knowledge promotes intellectual curiosity and empowers

individuals to become lifelong learners, promoting progress and innovation in various fields. It is worth noting that while accessing free Astm D 2240 Guide PDF books and manuals is convenient and cost-effective, it is vital to respect copyright laws and intellectual property rights. Platforms offering free downloads often operate within legal boundaries, ensuring that the materials they provide are either in the public domain or authorized for distribution. By adhering to copyright laws, users can enjoy the benefits of free access to knowledge while supporting the authors and publishers who make these resources available. In conclusion, the availability of Astm D 2240 Guide free PDF books and manuals for download has revolutionized the way we access and consume knowledge. With just a few clicks, individuals can explore a vast collection of resources across different disciplines, all free of charge. This accessibility empowers individuals to become lifelong learners, contributing to personal growth, professional development, and the advancement of society as a whole. So why not unlock a world of knowledge today? Start exploring the vast sea of free PDF books and manuals waiting to be discovered right at your fingertips.

FAQs About Astm D 2240 Guide Books

How do I know which eBook platform is the best for me? Finding the best eBook platform depends on your reading preferences and device compatibility. Research different platforms, read user reviews, and explore their features before making a choice. Are free eBooks of good quality? Yes, many reputable platforms offer high-quality free eBooks, including classics and public domain works. However, make sure to verify the source to ensure the eBook credibility. Can I read eBooks without an eReader? Absolutely! Most eBook platforms offer webbased readers or mobile apps that allow you to read eBooks on your computer, tablet, or smartphone. How do I avoid digital eye strain while reading eBooks? To prevent digital eye strain, take regular breaks, adjust the font size and background color, and ensure proper lighting while reading eBooks. What the advantage of interactive eBooks? Interactive eBooks incorporate multimedia elements, quizzes, and activities, enhancing the reader engagement and providing a more immersive learning experience. Astm D 2240 Guide is one of the best book in our library for free trial. We provide copy of Astm D 2240 Guide in digital format, so the resources that you find are reliable. There are also many Ebooks of related with Astm D 2240 Guide. Where to download Astm D 2240 Guide online for free? Are you looking for Astm D 2240 Guide PDF? This is definitely going to save you time and cash in something you should think about. If you trying to find then search around for online. Without a doubt there are numerous these available and many of them have the freedom. However without doubt you receive whatever you purchase. An alternate way to get ideas is always to check another Astm D 2240 Guide. This method for see exactly what may be included and adopt these ideas to your book. This site will almost certainly help you save time and effort, money and stress. If you are looking for free

books then you really should consider finding to assist you try this. Several of Astm D 2240 Guide are for sale to free while some are payable. If you arent sure if the books you would like to download works with for usage along with your computer, it is possible to download free trials. The free guides make it easy for someone to free access online library for download books to your device. You can get free download on free trial for lots of books categories. Our library is the biggest of these that have literally hundreds of thousands of different products categories represented. You will also see that there are specific sites catered to different product types or categories, brands or niches related with Astm D 2240 Guide. So depending on what exactly you are searching, you will be able to choose e books to suit your own need. Need to access completely for Campbell Biology Seventh Edition book? Access Ebook without any digging. And by having access to our ebook online or by storing it on your computer, you have convenient answers with Astm D 2240 Guide To get started finding Astm D 2240 Guide, you are right to find our website which has a comprehensive collection of books online. Our library is the biggest of these that have literally hundreds of thousands of different products represented. You will also see that there are specific sites catered to different categories or niches related with Astm D 2240 Guide So depending on what exactly you are searching, you will be able to choose ebook to suit your own need. Thank you for reading Astm D 2240 Guide. Maybe you have knowledge that, people have search numerous times for their favorite readings like this Astm D 2240 Guide, but end up in harmful downloads. Rather than reading a good book with a cup of coffee in the afternoon, instead they juggled with some harmful bugs inside their laptop. Astm D 2240 Guide is available in our book collection an online access to it is set as public so you can download it instantly. Our digital library spans in multiple locations, allowing you to get the most less latency time to download any of our books like this one. Merely said, Astm D 2240 Guide is universally compatible with any devices to read.

Find Astm D 2240 Guide :

57-1466 side hustles examples USA 57-2676 side hustles examples for
57-2209 personal finance comparison for creators 57-999 personal finance
for creators 57-824 home organization roadmap for entrepreneurs 57-1053
resume writing strategies for startups 57-894 resume writing tips for
57-807 retirement planning ideas America 57-694 retirement planning
entrepreneurs 57-2987 online business tools for creators 57-1997 online
entrepreneurs 57-1994 luxury travel blueprint for small business 57-744
case study for creators 57-1926 print on demand case study for small
America 57-213 crypto trading ideas America 57-2866 crypto trading ideas

States 57-2886 interview tips tutorial for creators 57-2888 interview minimalist lifestyle guide America 57-1035 minimalist lifestyle guide examples for creators 57-1151 real estate investing explained USA 57-2821 fitness routines review United States 57-2510 fitness routines luxury travel tips United States 57-369 luxury travel tips for small comparison America 57-505 SEO strategy comparison for creators 57-1280

Astm D 2240 Guide :

pdf hallelujah milk and honey 3 sheets pianofiles - Apr 30 2022

web hallelujah milk and honey 3 sheets pianofiles alfred s basic adult piano course greatest hits book 1 sep 18 2021 this series answers the often expressed need for a variety of supplementary material in many different popular styles what could be more fun for an adult than to play the music that everybody knows and loves

[milk and honey hallelujah chords chordu](#) - Dec 07 2022

web ab eb cm fm ebm chords for milk and honey hallelujah with key bpm and easy to follow letter notes in sheet play with guitar piano ukulele or any instrument you choose

halleluja גלילי אתרי חלב ודבש 4 ידים פסנתר - Jan 08 2023

web aug 22 2019 este es mi arreglo para piano a 4 manos del tema halleluja tema escrito en hebreo con el cual israel ganó el festival de eurovision de 1979 celebrado e

sheet music scores hallelujah milk and honey - Nov 06 2022

web hallelujah milk and honey 2 sheet music scores instruments ensembles opera composers performers sheet music lyrics sheet music scores hallelujah milk and honey sheet music 29 99 original the coffeehouse companion melody lyrics and chords for 220 acoustic favorites in a handy flute piano song recent requests

[hallelujah milk and honey 3 sheets pianofiles](#) - Aug 03 2022

web april 21st 2018 hallelujah milk and honey 3 sheets pianofiles pdf free download here halleluya piano milk amp honey youtube youtube com watch v blpxvta wiq josh woodward s mp3 music collection all songs josh april 23rd 2018 josh woodward ann arbor michigan singer songwriter josh woodward s mp3 music collection all songs

[hallelujah milk and honey 3 sheets pianofiles liululu](#) - Dec 27 2021

web point 3 sheets cana brava hallelujah sheet music pentatonix pdf free download hallelujah sheet music pentatonix performed in hebrew by gali atari and milk amp honey for israel title hallelujah milk and honey 3 sheets pianofiles author target books keywords download books hallelujah milk and honey 3 sheets pianofiles

[hallelujah milk and honey sheet music plus](#) - Feb 09 2023

web shop and buy hallelujah milk and honey sheet music piano vocal and guitar sheet music book by music vault at sheet music plus bt mv00001172

hallelujah milk and honey 3 sheets pianofiles - Sep 04 2022

web march 10th 2018 box 64 contains individual frames or strips of negatives in various formats as well as three glass milk and honey 1961 container 24 1 3 30 3 sheets of lp hands and arms april 20th 2018 a1 plantasia 3 23 a2 symphony for a a6 in a little while 3 37 b1 wild honey 3 45 b2 peace on a lula a5 hallelujah i love her a6 red sails

hallelujah milk and honey 3 sheets pianofiles - Mar 30 2022

web hallelujah milk and honey 3 sheets pianofiles josh woodward s mp3 music collection all songs josh guide to the kenneth patchen papers oac cdlib org haven gastropub orange ca opentable reusable non plastic food wrap hallelujah home e56yjhdt6e by vodkawertys issuu about dawn nicole designs

hallelujah milk and honey sheet music for piano trombone - Jun 13 2023

web apr 24 2022 download and print in pdf or midi free sheet music for hallelujah by milk and honey israel arranged by atomadde for piano trombone vocals tambourine trumpet in b flat guitar bass guitar drum group

[hallelujah milk and honey piano tutorial musescore com](#) - May 12 2023

web learn how to play hallelujah milk and honey on the piano our lesson is an easy way to see how to play these sheet music join our community

[milk and honey from milk and honey sheet music in c major](#) - Apr 11 2023

web print and download milk and honey sheet music from milk and honey sheet music arranged for piano vocal guitar in c major transposable

hallelujah milk and honey 3 sheets pianofiles pdf - Jun 01 2022

web 2 hallelujah milk and honey 3 sheets pianofiles 2021 11 10 news go tell it on the mountain carry me home swing low sweet chariot deep river rise and shine sing with the spirit i m gonna sing when the spirit says sing i m gonna sing sing sing the concise new partridge dictionary of slang and unconventional english alfred

[hallelujah by milk honey sheet music for piano solo](#) - Jul 14 2023

web mar 28 2019 download and print in pdf or midi free sheet music for hallelujah by milk and honey israel arranged by kayser ad for piano solo

halleluya sheet music piano voice pdf download oktav - Mar 10 2023

web official sheet music download halleluya by milk and honey gali atari for piano voice download pdf print play 20 000 more pieces audio samples video key b flat major category pop rock

[hallelujah milk and honey 3 sheets pianofiles](#) - Feb 26 2022

web april 21st 2018 hallelujah milk and honey 3 sheets pianofiles pdf free download here halleluya piano milk amp honey youtube youtube com watch v blpxvta wiq

hallelujah milk and honey 3 sheets pianofiles pdf uniport edu - Oct 05 2022

web apr 26 2023 hallelujah milk and honey 3 sheets pianofiles 3 7 downloaded from uniport edu ng on april 26 2023 by guest tradition we call the blues is truly a musical phenomenon belonging to the african cultural world gerhard kubik is a professor in the department of ethnology and african studies at the university of mainz germany

free hallelujah by milk and honey israel sheet music - Aug 15 2023

web hallelujah milk and honey atomadde pro 21 parts 28 pages 03 14 apr 24 2022 427 views 7 favorites 9 votes mixed ensemble vocals trumpet in b flat trombone guitar bass guitar tubular bells piano strings group tambourine drum group

[hallelujah milk and honey 3 sheets pianofiles](#) - Jan 28 2022

web jan 11 2023 4730014 hallelujah milk and honey 3 sheets pianofiles 3 7 downloaded from ctwelland clearfit com on by guest shared by peoples across africa bold and original the power of black music offers a new way of listening to the music of black america and appreciating its profound contribution to all american music striving to break down the

[hallelujah milk and honey 3 sheets pianofiles survey thecube](#) - Jul 02 2022

web hallelujah milk and honey 3 sheets pianofiles hallelujah milk and honey 3 sheets pianofiles brunch archives page 24 of 30 heather s florida kitchen blackbelt karaoke new book the beach boys the beatles uncategorised anglo list free download here pdfsdocuments2 com communication affirmation amp love haven gastropub orange

sync how order emerges from chaos in the universe nature - Jul 08 2022

web sync how order emerges from chaos in the universe nature and daily life audible audiobook unabridged steven strogatz author kevin t collins narrator 1 more 4 5 532 ratings see all formats and editions kindle edition 15 99 read with our free app audiobook 0 00 free with your audible trial

sync how order emerges from chaos in the universe nature - May 06 2022

web sync how order emerges from chaos in the universe nature and daily life 1st edition kindle edition by steven h strogatz author format kindle edition 371 ratings see all formats and editions kindle edition 15 99 read with our free app audiobook 0 00 free with your audible trial

sync how order emerges from chaos in the universe nature and daily - Feb 03 2022

web sync how order emerges from chaos in the universe nature and daily life kindle edition by steven h strogatz author format kindle edition 336 ratings see all formats and editions kindle 14 99 read with our free app audiobook 0 00 free with your audible trial

sync how order emerges from chaos in the universe nature - Mar 16 2023

web steven strogatz hachette books 2003 science 352 pages the tendency to synchronize may be the most mysterious and pervasive drive in all of nature it has intrigued some of the most brilliant

sync how order emerges from chaos in the universe nature - May 18 2023

web feb 14 2012 from underground caves in texas where a french scientist spent six months alone tracking his sleep wake cycle to the home of a dutch physicist who in 1665 discovered two of his pendulum clocks

sync how order emerges from chaos in the universe nature - Nov 12 2022

web jan 25 2011 at once elegant and riveting sync tells the story of the dawn of a new science steven strogatz a leading mathematician in the fields of chaos and complexity theory explains how enormous systems can synchronize themselves from the electrons in a superconductor to the pacemaker cells in our hearts

sync how order emerges from chaos in the universe nature - Sep 10 2022

web the tendency to synchronize may be the most mysterious and pervasive drive in all of nature it has intrigued some of the most brilliant minds of the 20th century including albert einstein richard feynman norbert wiener brian josephson and arthur winfree at once elegant and riveting sync tells the story of the dawn of a new science

sync how order emerges from chaos in the universe nature and daily - Aug 21 2023

web feb 14 2012 verified purchase in this book written by steven strogatz professor of applied mathematics at cornell university we learn as the subtitle of the book states how order emerges from chaos in the universe nature and daily life the book is divided into three main sections

sync how order emerges from chaos in the universe nature - Jan 14 2023

web sync how order emerges from chaos in the universe nature and daily life by steven h strogatz books on google play sync how order emerges from chaos in the universe nature and daily

sync how order emerges from chaos in the universe nature a - Jan 02 2022

web a w f edwards 2005 sync how order emerges from chaos in the universe nature and daily life the mathematical intelligencer springer vol 27 1 pages 89 89 december handle repec spr matint v 27 y 2005 i 1 d 10 1007 bf02984822 doi 10 1007 bf02984822

sync how order emerges from chaos in the universe nature - Jun 19 2023

web nov 7 2008 sync how order emerges from chaos in the universe nature and daily life a w f edwards the mathematical intelligencer 27 89 2005 cite this article 526 accesses

sync how order emerges from chaos in the universe nature - Mar 04 2022

web apr 14 2004 sync is the story of this dazzling kind of order in the universe the harmony that comes from cycles in sync

written by the mathematician who created the science bestselling comparison in the tradition of books like flow this book identifies a natural phenomenon and shows readers the implications it has in all agents of life

[sync how order emerges from chaos in the universe nat](#) - Feb 15 2023

web this fun and fascinating book by a leading mathematician examines sync the spontaneous emergence of order out of chaos it s written in bite size chapters each touching on every day realities we all encounter like sleep cycles

sync how order emerges from chaos in the universe nature - Apr 05 2022

web aug 29 2016 inanimate sync stems from deepest laws of math and physics lasers power grids pendulums moon earth asteroids planets electrons all examples poincare is considered the father of chaos theory sync almost always occurs regardless of the number of oscillators or how it started in any population oscillators must be somewhat similar or

sync how order emerges from chaos in the universe nature - Jul 20 2023

web but people from all profes sync how order partly because th are y lighter on au sions with a sufficient interest in math emerges tobiographical detail strogatz almost ematics will profit considerably f om from chaos in the universe makes quantum heory and josephson this book nature junctions comprehensible

[sync how order emerges from chaos in the universe nature daily life](#) - Oct 11 2022

web oct 7 2007 sync tells the story of the dawn of a new science as one of its pioneers steven strogatz a leading mathematician in the fields of chaos and complexity theory explains how enormous systems can synchronize themselves from the electrons in a superconductor to the pacemaker cells in our hearts

sync how order emerges from chaos in the universe nature and daily - Dec 13 2022

web jan 25 2011 sync how order emerges from chaos in the universe nature and daily life unabridged steven strogatz 4 7 3 ratings 19 99 publisher description the tendency to synchronize may be the most mysterious and pervasive drive in all of nature

[sync how order emerges from chaos in the universe nature](#) - Jun 07 2022

web at once elegant and riveting sync tells the story of the dawn of a new science steven strogatz a leading mathematician in the fields of chaos and complexity theory explains how enormous systems can synchronize themselves from the electrons in a superconductor to the pacemaker cells in our hearts

sync how order emerges from chaos in the universe nature - Apr 17 2023

web feb 14 2012 at once elegant and riveting sync tells the story of the dawn of a new science steven strogatz a leading mathematician in the fields of chaos and complexity theory explains how enormous

[sync how order emerges from chaos in the universe nature and daily](#) - Aug 09 2022

web feb 14 2012 strogatz explores synchrony in chaos systems at the quantum level in small world networks as exemplified

by the parlor game six degrees of kevin bacon and in human behavior involving fads mobs and the herd mentality of stock traders

[regulatory ecl danfoss](#) - Nov 10 2022

web oprogramowanie narzędzie ecl tool zarządzanie regulatorami ecl comfort i modyfikowanie ich nastaw narzędzie ecl umożliwia serwisantom połączenie z regulatorem ecl comfort 210 310 oraz ładowanie modyfikację i zapisywanie wszystkich jego

ecl comfort 310 24 volt p302 danfoss - Jun 17 2023

web 9600 on off even on p active 1 stop bit on p active on p active on 19200 on on odd off inactive no parity 2 stop bits off inactive off inactive off p 38400 off on p mcx 08 m2 eca 5 guide mcx 08 m2 eca 5 ecl comfort 310 p302 danfoss com or store danfoss com

[ecl 9300 9310 danfoss](#) - May 16 2023

web title ecl 9300 9310

[ecl controllers danfoss](#) - Aug 19 2023

web case studies electronic controllers ecl are intelligent temperature regulators for district heating and domestic hot water systems by means of weather compensation and application keys they can be adapted to a variety of district heating systems ensuring a high level of comfort and optimum energy utilisation

[günstig danfoss ecl9600 mit analoguhr heiz24 de 417 99](#) - Aug 07 2022

web danfoss ecl9600 mit analoguhr abb ähnl irrtümer in texten und bildern vorbehalten artikelzustand generalüberholt und funktionsgeprüft vom heiz24 fachpersonal

[danfoss ecl 9600 mit analoger uhr regelungstechnik specht](#) - Mar 14 2023

web danfoss ecl 9600 mit analoger uhr produkt jetzt als erster bewerten 332 38 preis inkl 19 mwst zzgl

[danfoss ecl 9600 bedienungsanleitung manualslib](#) - Oct 09 2022

web ansicht und herunterladen danfoss ecl 9600 bedienungsanleitung online ecl 9600 steuergeräte pdf anleitung herunterladen

[ecl comfort 210 296 310 communication description danfoss](#) - May 04 2022

web the ecl comfort 296 310 has a modbus tcp communication interface that allows the ecl to be connected to an ethernet network this allows remote access to the ecl comfort 296 310 controller based on standard communication infrastructures for specific details please consult the modbus guide modbus messaging implementation guide v1 0b pdf

[ecl regulatorer danfoss](#) - Feb 13 2023

web intelligent og effektiv energistyring med ecl comfort 310 i centrum ecl comfort 310 er den intelligente elektroniske

multiregulator enheden sikrer let og funktionsvenlig styring af anlæg herunder brugsvand varme og ventilation den enkle og intuitive interface giver perfekt kontrol og et præcist energioverblik

instruktion ecl 9600 danfoss - Jul 18 2023

web instruktion ecl 9600 anlægseksempel 2 parallelkoblet opvarmnings og brugsvandssystem anlægseksempel 3 fjernvarmeanlæg med to varmekredse el tilslutninger de elektriske forbindelser til regulatoren tilsluttes ved hjælp af klemrækker med skrueforbindelser der kan tilsluttes op til 3 x 1 5 mm² eller tilsvarende i hver klemme

ecl regler danfoss - Apr 15 2023

web elektronische regler ecl sind intelligente temperaturregler für fernwärmesysteme und trinkwarmwassersysteme anhand der witterungsführung und applikationsschlüssel können sie an eine vielzahl von fernwärmesystemen angepasst werden und sorgen für hohen komfort und optimale energienutzung

ecl tool danfoss - Mar 02 2022

web mit dem ecl tool kann sich das servicepersonal mit einem ecl comfort 210 310 regler verbinden und die einstellungen aller parameter laden ändern und speichern es kann auch einen bericht über die aktuellen geänderten einstellungen drucken z b nach der inbetriebnahme einer heizungsanlage

ecl comfort controllers danfoss - Sep 20 2023

web danfoss ecl series are intelligent temperature controllers for district heating dh district cooling dc and domestic hot water systems dhw the controllers share the main function of weather compensation

danfoss ecl 9300 9310 operating guide manualzz - Feb 01 2022

web view online or download pdf 140 kb danfoss ecl 9300 9310 operating instructions ecl 9300 9310 pdf manual download and more danfoss online manuals

danfoss ecl comfort 300 user manual pdf download manualslib - Apr 03 2022

web view and download danfoss ecl comfort 300 user manual online for a wide range of heating domestic hot water dhw and cooling systems with different configurations and capacities ecl comfort 300 controller pdf manual download

pobierz plik ecl9600 pdf z tematu regulator pogodowy danfoss ecl 9600 - Sep 08 2022

web regulator pogodowy danfoss ecl 9600 szczegółowa instrukcja obsługi regulatora pogodowego do węzłów centralnego ogrzewania dotyczy wersji oprogramowania 2 0 obrazki elektroda net 16 1255417603 thumb jpg pobierz plik link do postu instrukcja ecl 9600 087r9478 087r9478 dotyczy wersji oprogramowania 2 0 patrz

danfoss ecl comfort 100m manuals manualslib - Jan 12 2023

web danfoss ecl comfort 100m manuals manuals and user guides for danfoss ecl comfort 100m we have 3 danfoss ecl comfort 100m manuals available for free pdf download user manual user s manual and installation instructions

régulateurs de température ambiante ecl danfoss - Jun 05 2022

web régulateur ecl les régulateurs électroniques ecl sont des régulateurs de température intelligents pour les systèmes de chauffage urbain et d eau chaude sanitaire grâce à une régulation en fonction de la température extérieure et aux clés d application ils peuvent être adaptés à divers systèmes de chauffage urbain

danfoss ecl comfort user manual pdf download - Jul 06 2022

web view and download danfoss ecl comfort user manual online ecl comfort control panel pdf manual download

instruktion ecl 9600 assets danfoss com - Dec 11 2022

web elektr anschlüsse der elektrische anschluß erfolgt über zwei klemmreihen mit schraubanschluß die vom gehäuse getrennt werden können an jede klemme können bis zu max 3 1 5 mm² angeschlossen werden die klemmen sind kodiert so daß die netzspannung nicht mit dem fñhleranschluß verwechselt werden kann anschlüsse mit