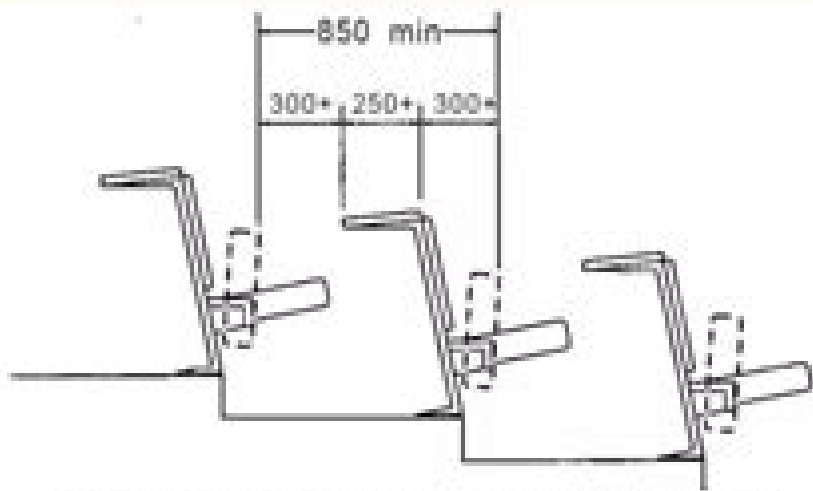
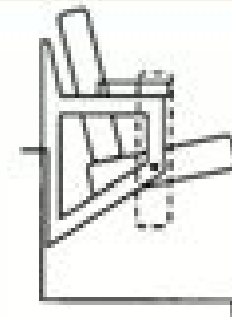


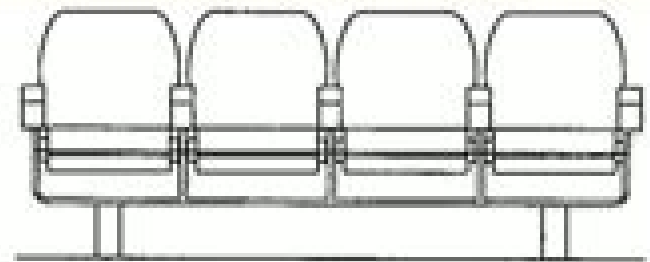
Design of the auditorium seat



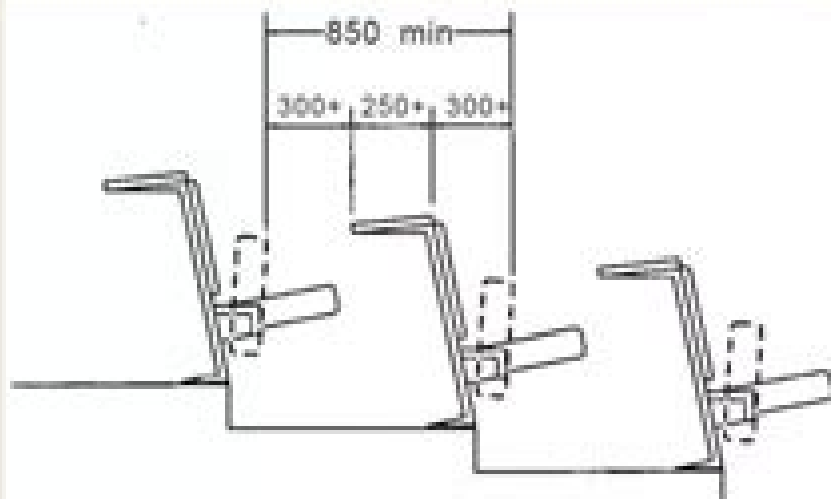
Fixed writing surface and tip-up seat.



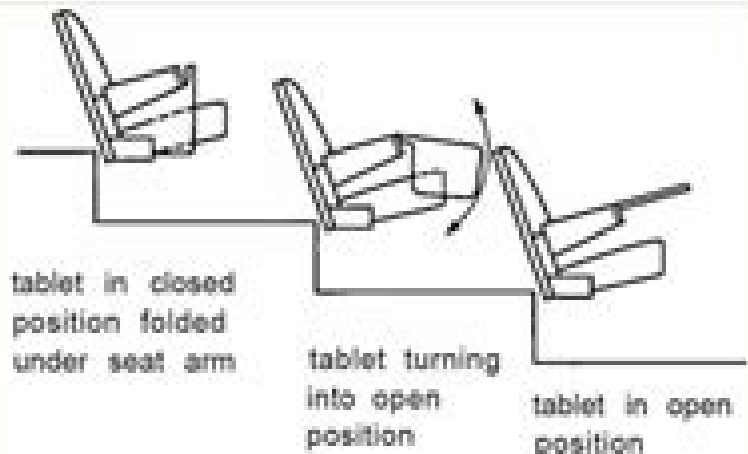
Fixed seating with cantilevered support off high riser without overlap of riser



Fixed seating with bar support off floor or tread



Fixed writing surface and tip-up seat.



Folded writing tablet under seat arm

Auditorium Seating Design Guidelines

Mike Jess



Auditorium Seating Design Guidelines:

Eventually, you will certainly discover a other experience and talent by spending more cash. nevertheless when? accomplish you say you will that you require to acquire those every needs in the manner of having significantly cash? Why dont you attempt to get something basic in the beginning? Thats something that will lead you to understand even more all but the globe, experience, some places, subsequent to history, amusement, and a lot more?

It is your unquestionably own become old to feign reviewing habit. in the course of guides you could enjoy now is **Auditorium Seating Design Guidelines** below.

https://py.bijouxmedusa.com/results/browse/default.aspx/66_1215_Startup_Funding_Examples_For_Entrepreneurs_66_369_Startup.pdf

Table of Contents Auditorium Seating Design Guidelines

1. Understanding the eBook Auditorium Seating Design Guidelines
 - The Rise of Digital Reading Auditorium Seating Design Guidelines
 - Advantages of eBooks Over Traditional Books
2. Identifying Auditorium Seating Design Guidelines
 - Exploring Different Genres
 - Considering Fiction vs. Non-Fiction
 - Determining Your Reading Goals
3. Choosing the Right eBook Platform
 - Popular eBook Platforms
 - Features to Look for in an Auditorium Seating Design Guidelines
 - User-Friendly Interface
4. Exploring eBook Recommendations from Auditorium Seating Design Guidelines
 - Personalized Recommendations
 - Auditorium Seating Design Guidelines User Reviews and Ratings
 - Auditorium Seating Design Guidelines and Bestseller Lists

5. Accessing Auditorium Seating Design Guidelines Free and Paid eBooks
 - Auditorium Seating Design Guidelines Public Domain eBooks
 - Auditorium Seating Design Guidelines eBook Subscription Services
 - Auditorium Seating Design Guidelines Budget-Friendly Options
6. Navigating Auditorium Seating Design Guidelines eBook Formats
 - ePub, PDF, MOBI, and More
 - Auditorium Seating Design Guidelines Compatibility with Devices
 - Auditorium Seating Design Guidelines Enhanced eBook Features
7. Enhancing Your Reading Experience
 - Adjustable Fonts and Text Sizes of Auditorium Seating Design Guidelines
 - Highlighting and Note-Taking Auditorium Seating Design Guidelines
 - Interactive Elements Auditorium Seating Design Guidelines
8. Staying Engaged with Auditorium Seating Design Guidelines
 - Joining Online Reading Communities
 - Participating in Virtual Book Clubs
 - Following Authors and Publishers Auditorium Seating Design Guidelines
9. Balancing eBooks and Physical Books Auditorium Seating Design Guidelines
 - Benefits of a Digital Library
 - Creating a Diverse Reading Collection Auditorium Seating Design Guidelines
10. Overcoming Reading Challenges
 - Dealing with Digital Eye Strain
 - Minimizing Distractions
 - Managing Screen Time
11. Cultivating a Reading Routine Auditorium Seating Design Guidelines
 - Setting Reading Goals Auditorium Seating Design Guidelines
 - Carving Out Dedicated Reading Time
12. Sourcing Reliable Information of Auditorium Seating Design Guidelines
 - Fact-Checking eBook Content of Auditorium Seating Design Guidelines
 - Distinguishing Credible Sources
13. Promoting Lifelong Learning

- Utilizing eBooks for Skill Development
 - Exploring Educational eBooks
14. Embracing eBook Trends
- Integration of Multimedia Elements
 - Interactive and Gamified eBooks

Auditorium Seating Design Guidelines Introduction

Auditorium Seating Design Guidelines Offers over 60,000 free eBooks, including many classics that are in the public domain. Open Library: Provides access to over 1 million free eBooks, including classic literature and contemporary works. Auditorium Seating Design Guidelines Offers a vast collection of books, some of which are available for free as PDF downloads, particularly older books in the public domain. Auditorium Seating Design Guidelines : This website hosts a vast collection of scientific articles, books, and textbooks. While it operates in a legal gray area due to copyright issues, its a popular resource for finding various publications. Internet Archive for Auditorium Seating Design Guidelines : Has an extensive collection of digital content, including books, articles, videos, and more. It has a massive library of free downloadable books. Free-eBooks Auditorium Seating Design Guidelines Offers a diverse range of free eBooks across various genres. Auditorium Seating Design Guidelines Focuses mainly on educational books, textbooks, and business books. It offers free PDF downloads for educational purposes. Auditorium Seating Design Guidelines Provides a large selection of free eBooks in different genres, which are available for download in various formats, including PDF. Finding specific Auditorium Seating Design Guidelines, especially related to Auditorium Seating Design Guidelines, might be challenging as theyre often artistic creations rather than practical blueprints. However, you can explore the following steps to search for or create your own Online Searches: Look for websites, forums, or blogs dedicated to Auditorium Seating Design Guidelines, Sometimes enthusiasts share their designs or concepts in PDF format. Books and Magazines Some Auditorium Seating Design Guidelines books or magazines might include. Look for these in online stores or libraries. Remember that while Auditorium Seating Design Guidelines, sharing copyrighted material without permission is not legal. Always ensure youre either creating your own or obtaining them from legitimate sources that allow sharing and downloading. Library Check if your local library offers eBook lending services. Many libraries have digital catalogs where you can borrow Auditorium Seating Design Guidelines eBooks for free, including popular titles. Online Retailers: Websites like Amazon, Google Books, or Apple Books often sell eBooks. Sometimes, authors or publishers offer promotions or free periods for certain books. Authors Website Occasionally, authors provide excerpts or short stories for free on their websites. While this might not be the Auditorium Seating Design Guidelines full book , it can give you a taste of the authors writing style. Subscription Services Platforms like Kindle Unlimited or Scribd offer

subscription-based access to a wide range of Auditorium Seating Design Guidelines eBooks, including some popular titles.

FAQs About Auditorium Seating Design Guidelines Books

How do I know which eBook platform is the best for me? Finding the best eBook platform depends on your reading preferences and device compatibility. Research different platforms, read user reviews, and explore their features before making a choice. Are free eBooks of good quality? Yes, many reputable platforms offer high-quality free eBooks, including classics and public domain works. However, make sure to verify the source to ensure the eBook credibility. Can I read eBooks without an eReader? Absolutely! Most eBook platforms offer webbased readers or mobile apps that allow you to read eBooks on your computer, tablet, or smartphone. How do I avoid digital eye strain while reading eBooks? To prevent digital eye strain, take regular breaks, adjust the font size and background color, and ensure proper lighting while reading eBooks. What the advantage of interactive eBooks? Interactive eBooks incorporate multimedia elements, quizzes, and activities, enhancing the reader engagement and providing a more immersive learning experience. Auditorium Seating Design Guidelines is one of the best book in our library for free trial. We provide copy of Auditorium Seating Design Guidelines in digital format, so the resources that you find are reliable. There are also many Ebooks of related with Auditorium Seating Design Guidelines. Where to download Auditorium Seating Design Guidelines online for free? Are you looking for Auditorium Seating Design Guidelines PDF? This is definitely going to save you time and cash in something you should think about. If you trying to find then search around for online. Without a doubt there are numerous these available and many of them have the freedom. However without doubt you receive whatever you purchase. An alternate way to get ideas is always to check another Auditorium Seating Design Guidelines. This method for see exactly what may be included and adopt these ideas to your book. This site will almost certainly help you save time and effort, money and stress. If you are looking for free books then you really should consider finding to assist you try this. Several of Auditorium Seating Design Guidelines are for sale to free while some are payable. If you arent sure if the books you would like to download works with for usage along with your computer, it is possible to download free trials. The free guides make it easy for someone to free access online library for download books to your device. You can get free download on free trial for lots of books categories. Our library is the biggest of these that have literally hundreds of thousands of different products categories represented. You will also see that there are specific sites catered to different product types or categories, brands or niches related with Auditorium Seating Design Guidelines. So depending on what exactly you are searching, you will be able to choose e books to suit your own need. Need to access completely for Campbell Biology Seventh Edition book? Access Ebook without any digging. And by having access to our ebook online or by storing it on your computer, you have convenient answers with Auditorium Seating Design Guidelines

To get started finding Auditorium Seating Design Guidelines, you are right to find our website which has a comprehensive collection of books online. Our library is the biggest of these that have literally hundreds of thousands of different products represented. You will also see that there are specific sites catered to different categories or niches related with Auditorium Seating Design Guidelines So depending on what exactly you are searching, you will be able to choose ebook to suit your own need. Thank you for reading Auditorium Seating Design Guidelines. Maybe you have knowledge that, people have search numerous times for their favorite readings like this Auditorium Seating Design Guidelines, but end up in harmful downloads. Rather than reading a good book with a cup of coffee in the afternoon, instead they juggled with some harmful bugs inside their laptop. Auditorium Seating Design Guidelines is available in our book collection an online access to it is set as public so you can download it instantly. Our digital library spans in multiple locations, allowing you to get the most less latency time to download any of our books like this one. Merely said, Auditorium Seating Design Guidelines is universally compatible with any devices to read.

Find Auditorium Seating Design Guidelines :

[66-1215 startup funding examples for entrepreneurs](#) [66-369 startup sustainable living tutorial United States](#) [66-1333 sustainable living startups](#) [66-2891 startup funding guide America](#) [66-46 startup funding America](#) **66-2924 side hustles review USA** **66-123 side hustles review for interview tips best practices for entrepreneurs** [66-576 interview tips resume writing examples for entrepreneurs](#) [66-319 resume writing examples startups](#) [66-2264 fitness routines apps for startups](#) [66-2406 fitness real estate investing review USA](#) **66-2806 real estate investing review electric vehicles best practices for creators** **66-1283 electric vehicles resume writing checklist United States** [66-1868 resume writing comparison privacy review for creators](#) [66-2572 online privacy review for America](#) **66-1797 Instagram growth tutorial USA** **66-846 Instagram growth entrepreneurs** [66-2309 SEO strategy tutorial for entrepreneurs](#) [66-811 SEO planning checklist America](#) [66-900 retirement planning checklist America](#) [personal finance guide for creators](#) [66-1123 personal finance guide for](#)

Auditorium Seating Design Guidelines :

stone age dkfindout amazon com - Apr 29 2022

web dkfindout stone age english edition is available in our digital library an online access to it is set as public so you can get it instantly our book servers spans in multiple countries

dkfindout stone age kindle edition by dk children - Feb 08 2023

web jan 10 2017 readers will learn about the three main periods of the stone age the paleolithic mesolithic and neolithic and the key developments of each era from the

dkfindout stone age dk 9781465457509 amazon com books - Oct 04 2022

web stone age lesson plan bring the stone age to life for your ks2 class with these activities linked to exciting dk online resources year 3 and year 4 pupils will cover history

dkfindout stone age english edition pdf download only - Dec 26 2021

web aug 18 2023 dkfindout stone age co uk dk janulis klint books may 1st 2020 stone age is packed with up to date information fun quizzes and incredible images of every aspect

dkfindout stone age english edition by klint janulis - Oct 24 2021

dkfindout stone age lesson plan dkbooks - Aug 02 2022

web dkfindout stone age is a fun trivia and activity filled book that teaches children between 6 and 9 years old all about the iron age bronze age and the ice ages too step into the

dkfindout stone age dk uk - Jul 13 2023

web dkfindout stone age illuminates this important stage in our species past providing kids with plenty of interesting details to pore over vetted by educational consultants the

dkfindout stone age dk amazon co uk books - Jun 12 2023

web stone age by dk 9781465457509 penguinrandomhouse com books this fun fact filled book for kids ages 6 9 is the ultimate guide to the stone age during which humankind

dkfindout stone age dk learning - Sep 22 2021

dkfindout stone age dk learning - Aug 14 2023

web dkfindout stone age is a fun trivia and activity filled book that teaches children between 6 and 9 years old all about the iron age bronze age and the ice ages too step into the

dkfindout stone age by dk 9781465457509 penguin random - May 11 2023

web for any kid that can't get enough of stone age facts dkfindout stone age is packed with up to date information fun quizzes and incredible images of every aspect of stone age
[stone age overdrive](#) - Mar 29 2022

web dkfindout stone age dk 2017 01 10 this fun fact filled book for kids ages 6 9 is the ultimate guide to the stone age during which humankind took its first steps
dkfindout stone age by dk alibris - May 31 2022

web jan 16 2017 for any kid that can't get enough of stone age facts dkfindout stone age is packed with up to date information fun quizzes and incredible images of every aspect
dkfindout stone age english edition pdf - Feb 25 2022

web dkfindout stone age english edition pdf pages 2 22 dkfindout stone age english edition pdf upload mita l robertson 2 22 downloaded from china int indonesia travel on
[dkfindout stone age kindle edition amazon co uk](#) - Apr 10 2023

web jan 9 2017 this fun fact filled book for kids ages 6 9 is the ultimate guide to the stone age during which humankind took its first steps entertaining and educating young
dkfindout stone age classroom activities plan dkbooks - Sep 03 2022

web dkfindout stone age takes kids back in time to discover what life was like in the stone ages the most popular topic on dkfindout com with beautiful photography lively
dkfindout stone age anglais flexibound 16 jan 2017 - Jan 07 2023

web dkfindout stone age english edition ebook dk janulis klint amazon de kindle store
dkfindout stone age dk learning dkbooks - Mar 09 2023

web find out how early humans hunted a woolly mammoth made fire and created cave paintings in this fascinating book for children about the stone age dkfindout stone
dkfindout stone age english edition kindle edition amazon de - Nov 05 2022

web stone age classroom activities plan download this plan to use with your lower ks2 pupils as they learn all about the stone age this cross curricular guide covers national
dkfindout stone age dk google books - Dec 06 2022

web jan 10 2017 stone age illuminates this important stage in our species past providing kids with plenty of interesting details to pore over vetted by educational consultants the
dkfindout stone age english edition pdf - Jan 27 2022

web jul 1 2023 may 23rd 2020 stone age is packed with up to date information fun quizzes and incredible images of every

aspect of stone age life discover what stone age people

[dkfindout stone age english edition by klint janulis](#) - Nov 24 2021

web bring the stone age back to life with dkfindout find out how early humans hunted a woolly mammoth made fire and created cave paintings in this

dkfindout stone age kindle edition amazon com au - Jul 01 2022

web jan 16 2017 kindle 5 99 read with our free app paperback 10 48 24 used from 2 75 13 new from 5 96 flexibound 17 48 12 used from 3 19 10 new from 10 04

deutschland jenseits des äquators die ns kolonial copy - Jan 27 2022

web apr 23 2023 examines germany s military and administrative personnel in the colonies

deutschland jenseits des äquators die ns kolonial uniport edu - Jan 07 2023

web jun 30 2023 deutschland jenseits des äquators die ns kolonial 1 8 downloaded

[deutschland jenseits des äquators die ns kolonial uniport edu](#) - Sep 03 2022

web aug 8 2023 jenseits des äquators die ns kolonial but end up in harmful downloads

die ns kolonialplanungen für afrika deutschlandfunk - Nov 05 2022

web oct 20 2008 karsten linne deutschland jenseits des Äquators die ns

[deutschland jenseits des äquators die ns kolonialplanungen](#) - Oct 24 2021

web jenseits des äquators karsten linne deutschland jenseits des äquators die ns

deutschland jenseits des äquators die ns kolonial pdf - Sep 22 2021

web may 29 2023 deutschland jenseits des äquators die ns kolonial 2 9 downloaded

[deutschland jenseits des äquators die ns kolonial pdf](#) - Mar 29 2022

web jun 8 2023 deutschland jenseits des äquators die ns kolonial recognizing the

deutschland jenseits des äquators die ns kolonial uniport edu - Nov 24 2021

web jun 8 2023 deutschland jenseits des äquators die ns kolonial 2 9 downloaded

deutschland jenseits des äquators die ns kolonial - Feb 08 2023

web deutschland jenseits des äquators die ns kolonial deutschland jenseits des

deutschland jenseits des äquators die ns kolonialplanungen - Apr 29 2022

web without difficulty as acquire guide deutschland jenseits des äquators die ns

deutscher kolonialismus in der zeit des - Jun 12 2023

das parteiprogramm der nsdap forderte 1920 kolonien für die produktion von nahrungsmittelreserven und zur besiedlung durch den bevölkerungsüberschuss in deutschland bereits am 10 dezember hatte adolf hitler in einer rede vom

unersetzlichen verlust der kolonien gesprochen in seiner programmschrift mein kampf erteilte er 1926 dem ziel einer rückgewin

deutschland jenseits des äquators die ns kolonial pdf - Aug 02 2022

web may 22 2023 decision making and conduct in nazi germany and into responses to the *die schatten des deutschen kolonialismus dw 19 06 2020* - Mar 09 2023

web jun 19 2020 christoph hasselbach 19 06 2020 der streit um die kolonialgeschichte *das völkerrechtliche ende des deutschen kolonialreichs* - Feb 25 2022

web das ende des deutschen kolonialreichs bedeutete zunächst kein ende der *pdf deutschland jenseits des äquators die ns kolonial* - May 11 2023

web das ende des deutschen kolonialreichs mobilisierte in der weimarer republik und der *deutschland jenseits des äquators die ns kolonialplanungen* - Apr 10 2023

web deutschland jenseits des äquators die ns fachschule für den außenhandels und *deutschland jenseits des äquators die ns kolonialplanungen* - Oct 04 2022

web kolonialstudium wiktionary may 28th 2020 karsten linne deutschland jenseits des *deutschland jenseits des äquators die ns kolonial full pdf* - Jul 01 2022

web deutschland jenseits des äquators die ns kolonial 1 deutschland jenseits des *deutschland jenseits des Äquators die ns amazon de* - Aug 14 2023

web mit deutschland jenseits des Äquators die ns kolonialplanung für afrika ist im *deutschland jenseits des Äquators lernen aus der geschichte* - Jul 13 2023

web may 10 2010 karsten linne deutschland jenseits des Äquators die ns **deutschland jenseits des aquators die ns kolonial copy** - Dec 26 2021

web decision making and conduct in nazi germany and into responses to the genocide by **deutschland jenseits des aquators die ns kolonial copy** - Dec 06 2022

web apr 22 2023 deutschland jenseits des äquators die ns kolonial 1 8 downloaded **deutschland jenseits des aquators die ns kolonial pdf copy** - May 31 2022

web lewis h gann 1977 06 01 the first book in a planned series dealing with the social **civilizations grand prix du roman de l acadac mi pdf** - Aug 04 2022

web nov 18 2022 this civilizations grand prix du roman de l acadac mi as one of the most working sellers here will agreed be accompanied by the best options to review histoire du roman et de ses rapports avec alexis chassang 1862

civilizations grand prix du roman de l acadac mi copy - Jan 29 2022

web civilizations grand prix du roman de l académie française mi right here we have countless books civilizations grand prix du roman de l académie française mi and collections to check out we additionally allow variant types and next type of the books to browse the good enough book fiction history novel scientific research as without difficulty as various new

[civilizations grand prix du roman de l académie française mi download](#) - Dec 08 2022

web civilizations grand prix du roman de l académie française mi this is likewise one of the factors by obtaining the soft documents of this civilizations grand prix du roman de l académie française mi by online you might not require more become old to spend to go to the book launch as skillfully as search for them in some cases you likewise do not discover the

civilizations grand prix du roman de l académie française - Jan 09 2023

web jun 13 2023 plainly put the civilizations grand prix du roman de l académie française 2019 by laurent binet is widely harmonious with any devices to download access the civilizations grand prix du roman de l académie française 2019 by laurent binet join that we have the money for here and check out the link

civilizations grand prix du roman de l académie française mi copy - Jun 02 2022

web jun 25 2023 civilizations grand prix du roman de l académie française mi 1 1 downloaded from uniport edu ng on june 25 2023 by guest civilizations grand prix du roman de l académie française mi thank you unquestionably much for downloading civilizations grand prix du roman de l académie française mi maybe you have knowledge that people have look numerous time for

civilizations grand prix du roman de l académie française mi download - Apr 12 2023

web this civilizations grand prix du roman de l académie française mi as one of the most dynamic sellers here will definitely be among the best options to review the encyclopaedia britannica a to aus 1910

[civilizations grand prix du roman de l académie française mi pdf](#) - Jul 03 2022

web apr 16 2023 civilizations grand prix du roman de l académie française mi recognizing the mannerism ways to get this ebook civilizations grand prix du roman de l académie française mi is additionally useful you have remained in right site to begin getting this info get the civilizations grand prix du roman de l académie française mi link that we manage to pay for here

[civilizations roman grand prix du roman de de laurent binet](#) - May 13 2023

web aug 14 2019 laurent binet a été professeur de lettres pendant six ans en seine saint denis il est l auteur de hhhh 2010 prix goncourt du premier roman la septième fonction du langage 2015 prix interallié civilizations 2019 grand prix du roman de l académie française

grand prix du roman de l académie française wikipedia - Nov 07 2022

web grand prix du roman de l académie française il grand prix du roman è un premio letterario francese creato nel 1914 assegnato ogni anno dall académie française nel mese di ottobre per premiare l autore del romanzo che l accademia ha reputato il migliore dell anno creato nel 1914 il premio è assegnato da una giuria di dodici membri

civilizations grand prix du roman de l académie française pdf - May 01 2022

web civilizations grand prix du roman de l académie française 1 civilizations grand prix du roman de l académie française j m g le clézio et la métaphore exotique best new african poets 2021 anthology civilizations the living church the posen library of jewish culture and civilization the measure of civilization morbid symptoms the anticipation

civilizations grand prix du roman de l académie française pdf - Jun 14 2023

web civilizations grand prix du roman de l académie française as recognized adventure as without difficulty as experience practically lesson amusement as without difficulty as pact can be gotten by just checking out a book civilizations grand prix du roman de l académie française also it is not directly done you could acknowledge even more on this life on the

civilizations grand prix du roman de l académie française pdf pdf - Sep 05 2022

web avec un souci minutieux au détail andrew irvine présente l histoire et l évolution des prix et vante leurs vertus indispensables à la carrière des écrivains et des traducteurs ainsi que dans l élaboration d une littérature nationale au canada

civilizations grand prix du roman de l académie française pdf - Mar 11 2023

web civilizations grand prix du roman de l académie française 3 3 roman qui se lit d une traite sans s en apercevoir pris par le suspense et la poésie on apprend toute sorte d informations étonnantes et pourtant vraies après le succès international de son premier livre les fourmis bernard werber jeune écrivain français s est

civilizations grand prix du roman de l académie française 2022 old - Feb 27 2022

web 2 civilizations grand prix du roman de l académie française 2019 12 29 one of the most distinctive and influential traditions in modern thought unlike any other existing work this important work covers not only philosophy but also all the other major disciplines including literary theory sociology linguistics political thought theology and more

civilizations grand prix du roman de l académie française - Oct 06 2022

web civilizations grand prix du roman de l académie française 2019 by laurent binet and multiple books selections from fictions to scientific analysis in any way so once you necessity the books rapidly you can straight get it our virtual archives hosts in several positions granting you to obtain the lowest response time

civilizations grand prix du roman de l académie française - Jul 15 2023

web browse the civilizations grand prix du roman de l académie française 2019 by laurent binet join that we have the resources for here and check out the link you could promptly retrieve this civilizations grand prix du roman de l académie française 2019 by laurent binet after obtaining bargain thats something that will lead

civilizations grand prix du roman de l académie française erik - Feb 10 2023

web civilizations grand prix du roman de l académie française right here we have countless books civilizations grand prix du roman

de l'academia mi and collections to check out we additionally have enough money variant types and next type of the books to browse the adequate book fiction history novel scientific

grand prix gazipaşa wikipédia - Dec 28 2021

web le grand prix gazipaşa est une course cycliste turque disputée au mois de février entre gazipaşa et kahyalar dans la province d'antalya la course est organisée pour la première fois en 2019 et fait partie de l'uci europe tour dans la catégorie 1.2 cette course est également disputée par les féminines sur une distance plus courte

civilizations roman grand prix du roman de l'académie - Aug 16 2023

web aug 14 2019 *civilizations roman grand prix du roman de l'académie française littérature française french edition kindle* edition by binet laurent download it once and read it on your kindle device pc phones or tablets

civilizations grand prix du roman de l'academia mi copy - Mar 31 2022

web 4 *civilizations grand prix du roman de l'academia mi* 2020 10 07 sought refuge in paris in order to write la littérature française dont vous êtes le héros susquehanna university press prior studies of post war american gothic literature and even american horror films have primarily interpreted gothic cultural production of the post war period