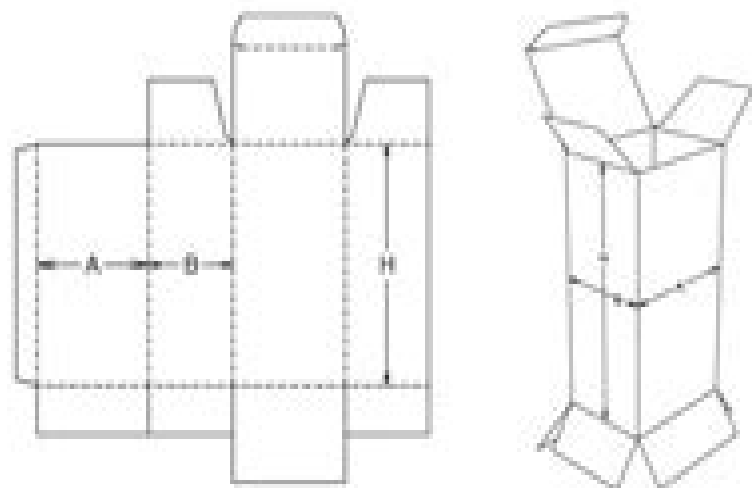
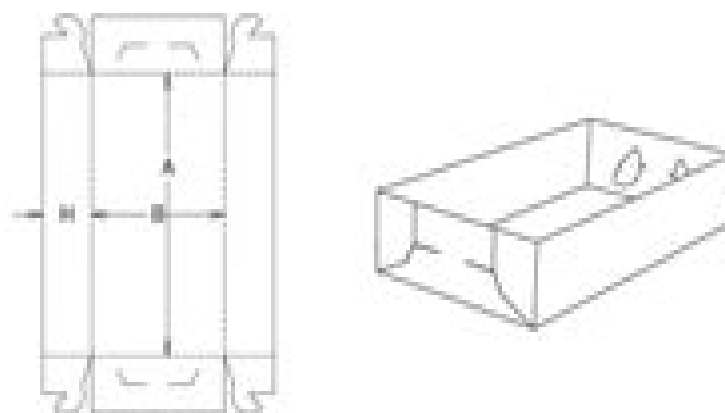


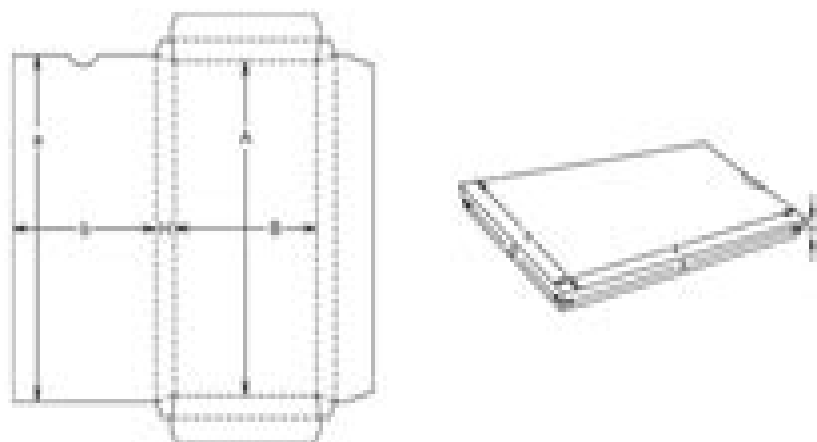
A 11.20.03.03



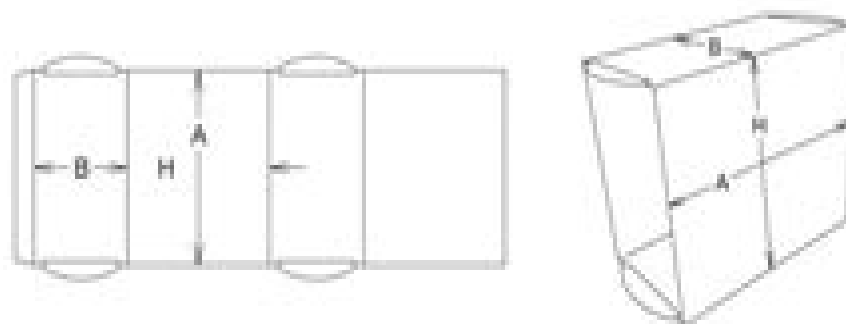
B 15.06.00.00



D20.20.20.50



E11.20.00.00



Standard Ecma

K Morrison



Standard Ecma:

Web Standards Leslie Sikos,2012-01-14 Web Standards Mastering HTML5 CSS3 and XML provides solutions to the most common website problems and gives you a deep understanding of web standards and how they can be applied to improve your website You will learn how to create fully standards compliant websites and provide search engine optimized Web documents with faster download times accurate rendering correct appearance and layout lower development cost approved accessibility backward and forward compatibility and easy maintenance and content updating The book covers all major Web standards focusing on syntax grammar recommended annotations and other standardization concerns Web Standards Mastering HTML5 CSS3 and XML is also a comprehensive guide to current and future standards for the World Wide Web As a web developer you ll have seen problems with inconsistent appearance and behavior of the same site in different browsers Web standards can and should be used to completely eliminate these problems Web Standards Mastering HTML5 CSS3 and XML describes how you can make the most of web standards through technology discussions as well as practical sample code that you can use for your own sites and web applications It also provides a quick guide to standard website creation for Web developers Learn techniques and best practices to achieve full standards compliance Write valid markup styles and news feeds from scratch or standardize websites by redesign Restrict markup to semantics and provide reliable layout

Programming Language Cultures Brian Lennon,2024-08-27 In this book Brian Lennon demonstrates the power of a philological approach to the history of programming languages and their usage cultures In chapters focused on specific programming languages such as SNOBOL and JavaScript as well as on code comments metasyntactic variables the very early history of programming and the concept of DevOps Lennon emphasizes the histories of programming languages in their individual specificities over their abstract formal or structural characteristics viewing them as carriers and sometimes shapers of specific cultural histories The book s philological approach to programming languages presents a natural sensible and rigorous way for researchers trained in the humanities to perform research on computing in a way that draws on their own expertise Combining programming knowledge with a humanistic analysis of the social and historical dimensions of computing Lennon offers researchers in literary studies STS media and digital studies and technical fields the first technically rigorous approach to studying programming languages from a humanities based perspective

JavaScript Programmer's Reference Thomas Valentine,Jonathan Reid,2013-06-26 JavaScript Programmer s Reference is an invaluable resource that won t stray far from your desktop or your tablet It contains detailed information on every JavaScript object and command and combines that reference with practical examples showcasing how you can use those commands in the real world Whether you re just checking the syntax of a method or you re starting out on the road to JavaScript mastery the JavaScript Programmer s Reference will be an essential aid With a detailed and informative tutorial section giving you the ins and outs of programming with JavaScript and the DOM followed by a command by command reference your next project will

pop with interactivity and keep your audience coming back for more JavaScript Programmer's Reference is your one stop source for everything you'll need to know to become a cutting edge web developer using the latest tools and techniques available today In depth explanations and activities to explain not just the command in question but why it is used in that way Progressive learning curve to not overwhelm and confuse you Handy and extremely informative quick reference of every command within the JavaScript DOM specifications

ADA Yearbook 1994 Chris Loftus,1994

OSI Standards and Acronyms,1991 One of the fastest expanding fields in computing and telecommunications is Open Systems Interconnection O S I The requirement for computers to communicate with each other has led to a need for standardisation This in turn has produced an array of international national semi official and proposed standards and an accompanying wealth of acronyms The author has compiled this invaluable book to guide readers through the resulting maze

Guide to IT Standards Makers and Their Standards Peter Judge,1991

Professional JavaScript for Web Developers Nicholas C. Zakas,2012-01-18 This book provides a developer level introduction along with more advanced and useful features of JavaScript Coverage includes JavaScript use with HTML to create dynamic webpages language concepts including syntax and flow control statements variable handling given their loosely typed nature built in reference types such as object and array object oriented programming powerful aspects of function expressions Browser Object Model allowing interaction with the browser itself detecting the client and its capabilities Document Object Model DOM objects available in DOM Level 1 how DOM Levels 2 and 3 augmented the DOM events legacy support and how the DOM redefined how events should work enhancing form interactions and working around browser limitations using the canvas tag to create on the fly graphics JavaScript API changes in HTML5 how browsers handle JavaScript errors and error handling features of JavaScript used to read and manipulate XML data the JSON data format as an alternative to XML Ajax techniques including the use of XMLHttpRequest object and CORS complex patterns including function currying partial function application and dynamic functions offline detection and storing data on the client machine techniques for JavaScript in an enterprise environment for better maintainability This book is aimed at three groups of readers Experienced object oriented programming developers looking to learn JavaScript as it relates to traditional OO languages such as Java and C Web application developers attempting to enhance site usability novice JavaScript developers Nicholas C Zakas worked with the Web for over a decade He has worked on corporate intranet applications used by some of the largest companies in the world and large scale consumer websites such as MyYahoo and the Yahoo homepage He regularly gives talks at companies and conferences regarding front end best practices and new technology

The World of Standards,1991

ECMA Standard,1969

McGraw-Hill's Compilation of Data Communications Standards Harold C. Folts,1986

Pathways to the Information Society M. B. Williams,1982

The Honeywell Computer Journal Honeywell Inc. Electronic Data Processing Division,1974

Guidelines for Electronic Text Encoding and Interchange C. M. Sperberg-McQueen,Lou Burnard,1997

Pathways to the Information Society ,1982 MAP/TOP Networking Vincent C. Jones,1988

Mastering JavaScript and Jscript Jamie Jaworski,1999-04-23 Make Your Web Site Dynamic But how Mastering JavaScript and JScript teaches you everything you need to know about these popular scripting languages to transform any Web site into a dynamic interactive practical application For those without programming knowledge it starts at the beginning you ll learn basic concepts and skills and quickly go on to tackle the tasks you want to accomplish For experienced programmers it offers plenty of advanced instruction Jaworski a scripting expert shares insights and techniques that will see you through the most challenging projects Coverage includes Writing client side JavaScript and JScript Ensuring that your scripts work with IE and Navigator Writing server side JavaScript Writing LiveWire applications Integrating JScript with Active Server Pages Using JavaScript to connect to databases Using JavaScript with Java applets Using JScript with ActiveX Using Windows Scripting Host Handling events Working with objects Communicating with plug ins Processing forms Using hidden fields and cookies Creating Web page widgets Developing search tools Programming games Interfacing with CGI programs Working with style sheets and DHTML Securing your scripts Optical Engineering ,2002 Publishes papers reporting on research and development in optical science and engineering and the practical applications of known optical science engineering and technology *Proceedings of the PCTE '93 Conference* Ian Campbell,1993 *Proceedings of the 8th International Conference of the Nigeria Computer Society* Ajibike O. Iteboje,2005 **Quantifying Pollutant Emissions from Office Equipment : a Concern in Energy-efficient Buildings** ,2011

This book delves into Standard Ecma. Standard Ecma is a vital topic that must be grasped by everyone, from students and scholars to the general public. This book will furnish comprehensive and in-depth insights into Standard Ecma, encompassing both the fundamentals and more intricate discussions.

1. The book is structured into several chapters, namely:
 - Chapter 1: Introduction to Standard Ecma
 - Chapter 2: Essential Elements of Standard Ecma
 - Chapter 3: Standard Ecma in Everyday Life
 - Chapter 4: Standard Ecma in Specific Contexts
 - Chapter 5: Conclusion
2. In chapter 1, this book will provide an overview of Standard Ecma. The first chapter will explore what Standard Ecma is, why Standard Ecma is vital, and how to effectively learn about Standard Ecma.
3. In chapter 2, the author will delve into the foundational concepts of Standard Ecma. The second chapter will elucidate the essential principles that must be understood to grasp Standard Ecma in its entirety.
4. In chapter 3, this book will examine the practical applications of Standard Ecma in daily life. This chapter will showcase real-world examples of how Standard Ecma can be effectively utilized in everyday scenarios.
5. In chapter 4, this book will scrutinize the relevance of Standard Ecma in specific contexts. The fourth chapter will explore how Standard Ecma is applied in specialized fields, such as education, business, and technology.
6. In chapter 5, this book will draw a conclusion about Standard Ecma. This chapter will summarize the key points that have been discussed throughout the book.

This book is crafted in an easy-to-understand language and is complemented by engaging illustrations. It is highly recommended for anyone seeking to gain a comprehensive understanding of Standard Ecma.

https://py.bijouxmedusa.com/data/virtual-library/Download_PDFS/o_radiant_dawn.pdf

Table of Contents Standard Ecma

1. Understanding the eBook Standard Ecma

- The Rise of Digital Reading Standard Ecma
 - Advantages of eBooks Over Traditional Books
2. Identifying Standard Ecma
 - Exploring Different Genres
 - Considering Fiction vs. Non-Fiction
 - Determining Your Reading Goals
 3. Choosing the Right eBook Platform
 - Popular eBook Platforms
 - Features to Look for in an Standard Ecma
 - User-Friendly Interface
 4. Exploring eBook Recommendations from Standard Ecma
 - Personalized Recommendations
 - Standard Ecma User Reviews and Ratings
 - Standard Ecma and Bestseller Lists
 5. Accessing Standard Ecma Free and Paid eBooks
 - Standard Ecma Public Domain eBooks
 - Standard Ecma eBook Subscription Services
 - Standard Ecma Budget-Friendly Options
 6. Navigating Standard Ecma eBook Formats
 - ePub, PDF, MOBI, and More
 - Standard Ecma Compatibility with Devices
 - Standard Ecma Enhanced eBook Features
 7. Enhancing Your Reading Experience
 - Adjustable Fonts and Text Sizes of Standard Ecma
 - Highlighting and Note-Taking Standard Ecma
 - Interactive Elements Standard Ecma
 8. Staying Engaged with Standard Ecma
 - Joining Online Reading Communities
 - Participating in Virtual Book Clubs
 - Following Authors and Publishers Standard Ecma

9. Balancing eBooks and Physical Books Standard Ecma
 - Benefits of a Digital Library
 - Creating a Diverse Reading Collection Standard Ecma
10. Overcoming Reading Challenges
 - Dealing with Digital Eye Strain
 - Minimizing Distractions
 - Managing Screen Time
11. Cultivating a Reading Routine Standard Ecma
 - Setting Reading Goals Standard Ecma
 - Carving Out Dedicated Reading Time
12. Sourcing Reliable Information of Standard Ecma
 - Fact-Checking eBook Content of Standard Ecma
 - Distinguishing Credible Sources
13. Promoting Lifelong Learning
 - Utilizing eBooks for Skill Development
 - Exploring Educational eBooks
14. Embracing eBook Trends
 - Integration of Multimedia Elements
 - Interactive and Gamified eBooks

Standard Ecma Introduction

Standard Ecma Offers over 60,000 free eBooks, including many classics that are in the public domain. Open Library: Provides access to over 1 million free eBooks, including classic literature and contemporary works. Standard Ecma Offers a vast collection of books, some of which are available for free as PDF downloads, particularly older books in the public domain.

Standard Ecma : This website hosts a vast collection of scientific articles, books, and textbooks. While it operates in a legal gray area due to copyright issues, its a popular resource for finding various publications. Internet Archive for Standard Ecma : Has an extensive collection of digital content, including books, articles, videos, and more. It has a massive library of free downloadable books. Free-eBooks Standard Ecma Offers a diverse range of free eBooks across various genres. Standard Ecma Focuses mainly on educational books, textbooks, and business books. It offers free PDF downloads for educational purposes. Standard Ecma Provides a large selection of free eBooks in different genres, which are available for download in

various formats, including PDF. Finding specific Standard Ecma, especially related to Standard Ecma, might be challenging as they're often artistic creations rather than practical blueprints. However, you can explore the following steps to search for or create your own Online Searches: Look for websites, forums, or blogs dedicated to Standard Ecma, Sometimes enthusiasts share their designs or concepts in PDF format. Books and Magazines Some Standard Ecma books or magazines might include. Look for these in online stores or libraries. Remember that while Standard Ecma, sharing copyrighted material without permission is not legal. Always ensure you're either creating your own or obtaining them from legitimate sources that allow sharing and downloading. Library Check if your local library offers eBook lending services. Many libraries have digital catalogs where you can borrow Standard Ecma eBooks for free, including popular titles. Online Retailers: Websites like Amazon, Google Books, or Apple Books often sell eBooks. Sometimes, authors or publishers offer promotions or free periods for certain books. Authors Website Occasionally, authors provide excerpts or short stories for free on their websites. While this might not be the Standard Ecma full book, it can give you a taste of the author's writing style. Subscription Services Platforms like Kindle Unlimited or Scribd offer subscription-based access to a wide range of Standard Ecma eBooks, including some popular titles.

FAQs About Standard Ecma Books

How do I know which eBook platform is the best for me? Finding the best eBook platform depends on your reading preferences and device compatibility. Research different platforms, read user reviews, and explore their features before making a choice. Are free eBooks of good quality? Yes, many reputable platforms offer high-quality free eBooks, including classics and public domain works. However, make sure to verify the source to ensure the eBook credibility. Can I read eBooks without an eReader? Absolutely! Most eBook platforms offer web-based readers or mobile apps that allow you to read eBooks on your computer, tablet, or smartphone. How do I avoid digital eye strain while reading eBooks? To prevent digital eye strain, take regular breaks, adjust the font size and background color, and ensure proper lighting while reading eBooks. What the advantage of interactive eBooks? Interactive eBooks incorporate multimedia elements, quizzes, and activities, enhancing the reader engagement and providing a more immersive learning experience. Standard Ecma is one of the best book in our library for free trial. We provide copy of Standard Ecma in digital format, so the resources that you find are reliable. There are also many Ebooks of related with Standard Ecma. Where to download Standard Ecma online for free? Are you looking for Standard Ecma PDF? This is definitely going to save you time and cash in something you should think about. If you trying to find then search around for online. Without a doubt there are numerous these available and many of them have the freedom. However without doubt you receive whatever you purchase. An alternate way to get ideas is always to

check another Standard Ecma. This method for see exactly what may be included and adopt these ideas to your book. This site will almost certainly help you save time and effort, money and stress. If you are looking for free books then you really should consider finding to assist you try this. Several of Standard Ecma are for sale to free while some are payable. If you arent sure if the books you would like to download works with for usage along with your computer, it is possible to download free trials. The free guides make it easy for someone to free access online library for download books to your device. You can get free download on free trial for lots of books categories. Our library is the biggest of these that have literally hundreds of thousands of different products categories represented. You will also see that there are specific sites catered to different product types or categories, brands or niches related with Standard Ecma. So depending on what exactly you are searching, you will be able to choose e books to suit your own need. Need to access completely for Campbell Biology Seventh Edition book? Access Ebook without any digging. And by having access to our ebook online or by storing it on your computer, you have convenient answers with Standard Ecma To get started finding Standard Ecma, you are right to find our website which has a comprehensive collection of books online. Our library is the biggest of these that have literally hundreds of thousands of different products represented. You will also see that there are specific sites catered to different categories or niches related with Standard Ecma So depending on what exactly you are searching, you will be able to choose ebook to suit your own need. Thank you for reading Standard Ecma. Maybe you have knowledge that, people have search numerous times for their favorite readings like this Standard Ecma, but end up in harmful downloads. Rather than reading a good book with a cup of coffee in the afternoon, instead they juggled with some harmful bugs inside their laptop. Standard Ecma is available in our book collection an online access to it is set as public so you can download it instantly. Our digital library spans in multiple locations, allowing you to get the most less latency time to download any of our books like this one. Merely said, Standard Ecma is universally compatible with any devices to read.

Find Standard Ecma :

o radiant dawn

[numerical linear algebra trefethen homework solutions](#)

[new perspectives on javascript and ajax comprehensive html](#)

nota geografi tingkatan 1 pdf orudekyqles wordpress

oliver twist cd fw n e black cat green apple kindle

nonlinear systems hassan khalil solution manual full

nynorsk grammatikk oppgaver

numerical techniques in electromagnetics second edition 2nd edition by sadiku matthew no published by crc

press hardcover

[nrpe documentation nagios](#)

nicola yoon tuebl download ebook pdf epub

official isc 2 guide to the hcispp cbk

[online tinkle comics](#)

[nvidia grid k1 k2 datasheet](#)

nobody knows my name james baldwin

open source lab how to build your own hardware and reduce research costs

Standard Ecma :

slavery contract are you willing to do anything to - Sep 23 2021

[sample consensual slavery contract submissive guide](#) - Aug 15 2023

web 1 0 0 slave s role the slave agrees to submit completely to the master in all ways there are no boundaries of place time or situation in which the slave may willfully refuse to

castration archives deviance desire - Dec 27 2021

web slavery contract t his contract is provided as a secure and binding agreement which defines in specific terms the relationship and interaction between two individuals

[maid s contract the trek bbs](#) - Nov 25 2021

the contract belonging to master - Dec 07 2022

web nov 1 2018 topics bdsm consensual enslavement collection opensource language english master slave contracts
adddate 2018 11 01 05 39 40

d s mistress sub slave contract jotform - Apr 11 2023

web 4 8 satisfied 54 votes how to fill out and sign sissy slut contract online get your online template and fill it in using progressive features enjoy smart fillable fields and

[sample dominant submissive contract sample one boundyou](#) - Jun 01 2022

web check out our sissy contract selection for the very best in unique or custom handmade pieces from our templates shops

[a real life slave contract everything2 com](#) - Jan 28 2022

web the slave will seek during the enslavement term to learn how to please the master better and will gracefully accept any

criticism in whatever form the master chooses within the

master slave contracts free download borrow and streaming - Sep 04 2022

web mar 3 2020 dominant submissive contract this contract contains the elements of a d s staying together however it is also applicable for those that is having a long distance

master mikey faglife com master slave contract - Apr 30 2022

web mar 24 2001 this is an example of a slave contract essentially a pre nuptial agreement for a bdsm relationship every relationship has a set of common

slavery contracts archives deviance desire - May 12 2023

web above all the primary duty of this submissive slave sissy is to please personal duties attend to the physical and emotional needs of behave as her sexual plaything

slave contract form fill out and sign printable pdf - Nov 06 2022

web the sissy s primary purpose is to serve men and to be used and enjoyed by them on a frequent and regular basis 2 the sissy shall at all times be obedient and or submissive

sissy contract etsy - Feb 26 2022

web breach of contract by mistress occurs when instruction is given to maid to do any act which may lead to prosecution of maid family disorder for maid have damaging

slave contract mistress jane - Mar 30 2022

web cbt cock and ball torture part 1 by fledermaus aka tony deblase this is part 1 of a two part article on cbt by the late tony deblase part 2 includes piercing urethral

sample master slave contract basic submissive guide - Oct 05 2022

web complete sissy contract online with us legal forms easily fill out pdf blank edit and sign them save or instantly send your ready documents

sissy contract pdf human sexual activity anal sex scribd - Aug 03 2022

web master mikey faglife com master slave contracts determine rights roles and expectations for all slaves masters can use this as a guide to managing slaves i have

d s contracts submissive guide - Jun 13 2023

web slave application form consensual slavery contract voluntary servitude contract dog training agreement chastity contract sissy maid contract cuckold affirmation

sissy slut contract fill and sign printable template - Mar 10 2023

web sep 6 2022 example lines from a light general dom sub contract 1 the dominant insert name will care for the

submissive s physical emotional mental well being until

sissy slut contract fill out sign online dochub - Jul 14 2023

web sample master slave contract basic a great basic contract example to use for your own d s relationships copy it completely or use it to customize for your own personal

sissy contract fill and sign printable template online us - Jul 02 2022

web if the slave attempts to break this contract i e by stopping compliance with any of its terms or by refusing to accept the mistress domination of him the mistress may use whatever

3 dom sub contracts examples made easy jryze me - Feb 09 2023

web a slave will always walk and stand sit to master s right side b slave will always address master using the pet name my love c slave will wait until after master

slave contract my slave contract - Oct 25 2021

sissy maid contract pdf spanking breach of - Jan 08 2023

web d s contracts sample master slave contract basic this is our current contract making adjustments from our other standard version that has served us so well over the years

pdf motorrad katalog 1 2020 jahrgang 2020 - Sep 06 2022

web motorrad katalog 1 2020 jahrgang 2020 jim murray s whisky bible 2020 dec 20 2022 this is the most comprehensive and thoroughly researched guide to the world s whiskies ever produced

all models bmw motorrad - May 02 2022

web r 1250 rt powerful machine so you arrive relaxed at your destination from 80 800 k 1600 gt bursting with dynamics full of impressions from 84 800 k 1600 gtl travelling together from 86 800

[motorrad katalog 2020 motorradonline de](#) - Oct 19 2023

web dec 11 2019 auf 292 seiten bietet der motorrad katalog 2020 den umfangreichsten Überblick über die in deutschland erhältlichen motorräder 125er elektro motorräder sowie 50er und pocketbikes inklusive umfangreicher datentabellen mit *motorrÄder der jahreskatalog 2020 e paper kat 2020 2* - Apr 13 2023

web der jahreskatalog 2020 zeigt die neufahrzeuge des jahres 2020 neben den aktuellen neuerscheinungen gibt s messwerte und testergebnisse aus der motorrad news redaktion sowie gebrauchtpreise kein modell verpassen mit dem motorrad news plus abo flattert der katalog jährlich die motorrad news monatlich in deinen

motorrad katalog 1 2020 jahrgang 2020 pdf - Feb 11 2023

web 1 motorrad katalog 1 2020 jahrgang 2020 roads and airports pavement surface characteristics dec 04 2022 roads and

airports pavement surface characteristics contains the papers presented at the 9th international symposium on pavement surface characteristics surf 2022 milan italy 12 14 september 2022 the symposium

[motorrad katalog 1 2020 jahrgang 2020 pdf ws 1 ps2pdf](#) - May 14 2023

web motorrad katalog 1 2020 jahrgang 2020 downloaded from ws 1 ps2pdf com by guest cameron issac european employment law 2nd edition hb penguin a unique take on the history of porsche all photographs are of highly detailed miniatures in 1 43 scale each one taken with an iphone and each uploaded to instagram with the hashtag

free motorrad katalog 1 2020 jahrgang 2020 pdf - Aug 05 2022

web oct 4 2023 this online publication motorrad katalog 1 2020 jahrgang 2020 pdf can be one of the options to accompany you subsequently having further time it will not waste your time believe me the e book will completely heavens you additional thing to read just invest tiny period to way in this on line notice motorrad katalog 1 2020 jahrgang 2020 pdf

home bmw motorrad - Jan 10 2023

web bmw motorrad offers everything you need to start your own journey motorcycles equipment events stories and much more 0 home models sport r 1250 rs s 1000 rr m m 1000 rr m 1000 r tour k 1600 gt k 1600 gtl r 1250 rt roadster r 1250 r s 1000 r f 900 r g 310 r heritage r ninet limited edition r ninet 100 years

motorrad katalog 1 2020 jahrgang 2020 pdf admin store motogp - Dec 09 2022

web motorrad katalog 1 2020 jahrgang 2020 downloaded from admin store motogp com by guest carey page run away with me girl 1 simon and schuster bernt spiegel s the upper half of the motorcycle was a best selling motorcycling book in its original german with multiple editions and printings to its credit

motorrad katalog 1 2020 jahrgang 2020 by motorrad katalog - Jun 15 2023

web motorradonline de motorrad katalog 1 2020 jahrgang 2020 meine zeitschrift de mo motorrad jahrbuch 2020 erscheinungsdatum husqvarna fs 450 jahrgang 2020 produkte speedweek com motorrad oldtimer kaufen und verkaufen classic trader bikerbetten tourenplaner 2020

motorrad katalog 2020 einzelheft print offizieller motor - Jul 16 2023

web motorrad katalog 2020 inhaltsverzeichnis siehe leseprobe hotline 0781 639 6657 dieser anruf kostet 0 20 verbindung aus allen deutschen netzen heft abo

motorrad katalog 2020 pdf motorrad katalog 2020 pdf rating 4 8 - Feb 28 2022

web motorrad katalog 2020 pdf rating 4 8 5 17328 votes downloads 103823 click here to download then it is time to begin crafting motorrad katalog 1 jahrgang pdf

motorrad katalog 1 2020 jahrgang 2020 pdf download only - Aug 17 2023

web motorrad katalog 1 2020 jahrgang 2020 pdf pages 2 8 motorrad katalog 1 2020 jahrgang 2020 pdf upload caliva f

ferguson 2 8 downloaded from aeromeet2021 malaysia travel on october 2 2023 by caliva f ferguson drawings with concise figure legends show each surgical procedure step by step this atlas on

motorrad katalog 1 2020 jahrgang 2020 ws 1 ps2pdf - Nov 08 2022

web motorrad katalog 1 2020 jahrgang 2020 downloaded from ws 1 ps2pdf com by guest karlee cardenas run away with me girl 1 vintage having been born a freeman and for more than thirty years enjoyed the blessings of liberty in a free state and having at the end of that time been kidnapped and sold into slavery where i remained until happily

motorrad katalog 1 2020 jahrgang 2020 pdf download only - Sep 18 2023

web introduction motorrad katalog 1 2020 jahrgang 2020 pdf download only mgb the superlative mg david knowles 2022 01 22 the mgb was a great british success story a product largely conceived designed and produced by a small team of dedicated people who genuinely cared about their work

motorrad katalog 1 2020 jahrgang 2020 book htaccess - Jul 04 2022

web mar 16 2023 motorrad katalog 1 2020 jahrgang 2020 is nearby in our digital library an online access to it is set as public thus you can download it instantly our digital library saves in merged countries allowing you to acquire the most less latency era to download any of our books behind this one merely said the motorrad katalog 1 2020

adac motorradkatalog - Mar 12 2023

web adac motorradkatalog in dem adac motorradkatalog finden sie über 500 aktuelle modelle mit allen technischen daten neben motorrädern und motorrollern sind auch leichtkrafträder roller dabei alle motorräder motorroller verfügen seit anfang 2017 über das vorgeschriebene abs

motorrad katalog 1 2020 jahrgang 2020 copy cdn writermag - Oct 07 2022

web 2 motorrad katalog 1 2020 jahrgang 2020 2023 04 29 frequently used words in the language based on a 4 2 million word corpus which is evenly divided between spoken fiction and non fiction texts the dictionary provides a detailed frequency based list plus alphabetical and part of speech indexes all entries in the rank frequency

motorrad katalog 1 2020 jahrgang 2020 dean batchelor pdf - Jun 03 2022

web motorrad katalog 1 2020 jahrgang 2020 motorrad katalog 1 2020 jahrgang 2020 2 downloaded from old restorativejustice org on 2020 02 20 by guest reports on the results obtained on instrumented vehicles modelling simulation and control of two wheeled vehicles is a comprehensive reference for those in academia who are interested in the state

motorcycle price list sg bikemart singapore - Apr 01 2022

web sep 2 2022 price 2001 yamaha tzm150 used 17 000 00 2009 yamaha fz6 sa used 0 00 2011 honda cb400 super four used 15 000 00

teme diplome mbi te drejten civile pdf copy - Aug 04 2022

web may 14 2023 teme diplome mbi te drejten civile pdf recognizing the showing off ways to acquire this ebook teme diplome mbi te drejten civile pdf is additionally useful you have remained in right site to start getting this info get the teme diplome mbi te drejten civile pdf associate that we provide here and check out the link

[teme diplome pdf scribd](#) - May 13 2023

web tem diplome tema elita n emigracion n krkim t strategjive rikthyese punoi enkeleda jakupllari udhheqsi prf asc dr irena nika fabstrakti ky punim argumenton se fenomeni i ikjes s trurit apo emigrimi i elitave shqiptare sht nj fenomen shqetsues i cili ndikon n zhvillimin e ardhshm t vendit

teme diplome pdf scribd - Aug 16 2023

web save save teme diplome 1 for later 100 100 found this document useful mark this document as useful 0 0 found this document not useful mark this document as not useful e drejta procedurale civile përcakton rregullat e procedurës që ndjek gjykata për përpjekjen me pajtim të palëve për të zgjidhur mosmarrëveshjen sipas

udhëzues për temë të diplomës kolegji aab - Jul 15 2023

web Çfarë është një disertacion ose tema e diplomimit tema e diplomës o siç quhet ndry e di rtacioni ap o edhe projekt hulumtimi është ndoshta detyra apo projekti më i rëndë ëm që një udent do të ndërmerë dhe të punojë gjatë kohës në univer tet dhe ë të pe një tregue krye r i aftë ve komunikue udiuese dhe hulumtue

teme diplome mbi te drejten civile pdf copy - Dec 08 2022

web web may 28 2023 web teme diplome mbi te drejten civile qytetarë të aftësuar mbi median dhe informacionin sep 24 2022 përdorimi politik i fesë në rindërtimin e identiteteve mar 06 2021 mbi të drejtën e kombeve për vetëvendosje oct teme diplome e drejta civile lia erc gov web teme diplome mbi te drejten civile pdf teme diplome

[finale tema e diplomes e permirsuar shkelqimi 27 tetor](#) - Apr 12 2023

web nov 3 2020 mbeturinave industrinë e ndërtimit policinë vendore dhënien e rrugëve civile dhe organizimin e brendshëm të autoriteteve civile financat dhe administratën komunale shpenzimet komunale përbëjnë rreth një të katërtën e të gjitha shpenzimeve të qeverisë në zvicër popullsia e 2 842

free download here pdf filetema diplome te gatshme drejte civile - Jan 09 2023

web temë diplome tema elita në emigracion në 1 2 abstrakti një numër nismash të shoqërisë civile si dhe një strategjiqeveritare mjaft të teme diplome e drejte biznesi

teme diplome kontratat ne te drejten civile pdf - May 01 2022

web jun 17 2023 1 teme diplome kontratat ne te drejten civile pdf thank you certainly much for downloading teme diplome kontratat ne te drejten civile pdf most likely you have knowledge that people have see numerous time for their favorite books gone this teme diplome kontratat ne te drejten civile

teme diplome master shkencor slideshare - Jun 14 2023

web feb 19 2021 teme diplome master shkencor rreziku dhe përfitimet që lidhen me teknologjinë e avancuar të mobile banking ardit novruzi dorëzuar universitetit europian të tiranës departamentit të informatikes dhe arkitektures në përmbushje të detyrimeve të programit master i shkencave në teknologji informacionit

temat e miratuara nga departamenti i te drejtes civile per - Sep 05 2022

web apr 8 2019 tema per lenden e drejte pune prof as dr ilir rusi migrimi dhe emigrimi për motive punësimi barazia gjinore dhe mosdiskriminimi në marrëdhëniet e punës në këndvështimin krahasues

teme diplome e drejta civile blog theupside - Mar 11 2023

web 2 teme diplome e drejta civile 2020 10 04 252 executive posts slightly less than seven percent in shattered cracked or firmly intact farida jalalzai explores the patterns of women executive s paths powers and potential impacts examining the global and national mechanisms that prevent women from attaining executive office

tureng teme türkçe İngilizce sözlük - Feb 10 2023

web İngilizce türkçe online sözlük tureng kelime ve terimleri çevir ve farklı aksanlarda sesli dinleme unmodified instruction teme komut ne demek

pdf doktoratura xhensila kadi fakulteti i drejtesise - Oct 06 2022

web doktoratura xhensila kadi fakulteti i drejtesise departamenti i se drejtes civile close log in log in with facebook log in with google or email password remember me on this computer or reset password enter the email address you signed up with and we ll email you a reset link

teme diplome civile help environment harvard edu - Nov 07 2022

web teme diplome civile recognizing the exaggeration ways to get this books teme diplome civile is additionally useful you have remained in right site to start getting this info acquire the teme diplome civile link that we give here and check out the link you could buy guide teme diplome civile or acquire it as soon as feasible you could speedily

2020 2021 İhl meslek dersleri sene başı zümre tutanağı - Dec 28 2021

web 2020 2021 İhl meslek dersleri sene başı zümre tutanağı siz de katkı sağlamak İçin eğitimle İlgili dosyalarınızı gönderebilirsiniz dosya göndermek İçin tıklayın

teme diplome kontratat ne te drejten civile - Jan 29 2022

web teme diplome kontratat ne te drejten civile teme diplome kontratat ne te drejten civile kontratat e dyshimta të akp së me lushtakët kallxo com e drejta e detyrimeve amp llojet e kontratave esi hasko teme diplome ne te drejten tregtare ksbsfa de detyra kursi ese shkollë tema e drejta e traktateve

teme diplome kontratat ne te drejten civile - Feb 27 2022

web teme diplome kontratat ne te drejten civile teme diplome pergjegjesit sociale dhe etike te biznesit may 4th 2018 qoftë nga shoqëria civile teme diplome ne industria e perpunimit te vajit te lulediellit ne shqiperi qellimi i realizimit te kesaj teme diplome kontrata e lisingut financiar per transport in detar scribd

teme diplome civile admision cbp edu - Jul 03 2022

web il monitore tecnico giornale d architettura d ingegneria civile ed industriale d edilizia ed arti affini recueil des proclamations et arrêtes des représentants du peuple français le génie civil

teme nedir ne demek teme hakkında bilgiler ile ilgili org - Jun 02 2022

web teme nedir teme ne demek yerel türkçe deki anlamı tümünden bu iş teme kaldı teme ile ilgili cümleler temelde ben dürüst bir insanım sorunun kendisi temel olarak yanlıştır hiçbir bilimsel temeli olmamasına rağmen astroloji çok popülerdir ve pek çok insan ona inanıyor gibi görünüyor

teme ne demek teme nedir teme anlamı nedemek org - Mar 31 2022

web teme ne demek teme nedir teme sözlük anlamı ve teme hakkında bilgi kaynağı türkçe İngilizce almanca fransızca ve birçok dilde anlamı teme tdk sözlük