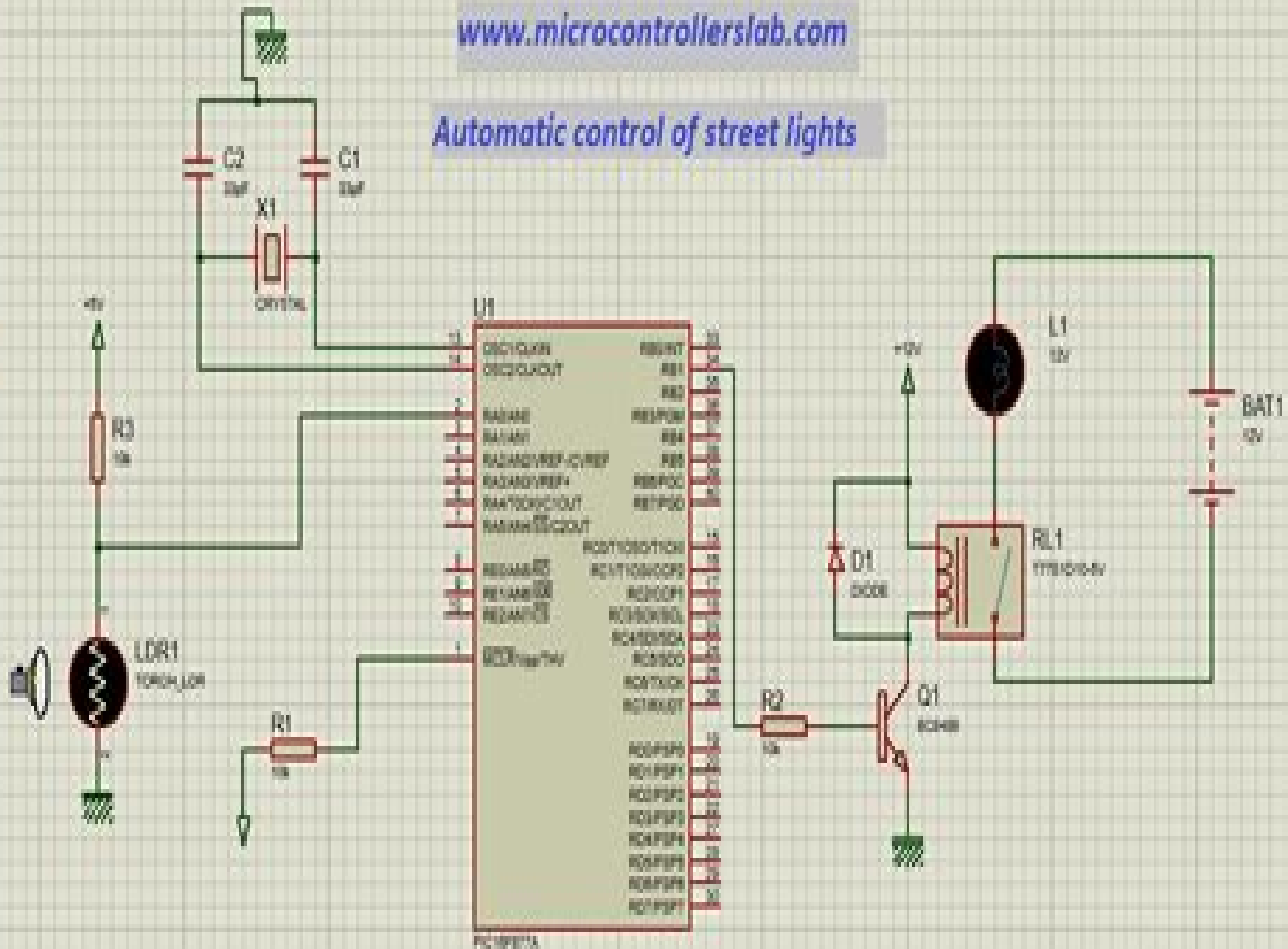


Automatic control of street lights



Automatic Street Light Control System Using Microcontroller

Eckehard Schnieder,U. Becker



Automatic Street Light Control System Using Microcontroller:

Recognizing the pretentiousness ways to acquire this book **Automatic Street Light Control System Using Microcontroller** is additionally useful. You have remained in right site to start getting this info. get the Automatic Street Light Control System Using Microcontroller associate that we have the funds for here and check out the link.

You could purchase lead Automatic Street Light Control System Using Microcontroller or get it as soon as feasible. You could quickly download this Automatic Street Light Control System Using Microcontroller after getting deal. So, in imitation of you require the books swiftly, you can straight get it. Its therefore totally simple and therefore fats, isnt it? You have to favor to in this make public

https://py.bijouxmedusa.com/About/browse/index.jsp/2004_cr125_service_manual_synergysalontallahassee.pdf

Table of Contents Automatic Street Light Control System Using Microcontroller

1. Understanding the eBook Automatic Street Light Control System Using Microcontroller
 - The Rise of Digital Reading Automatic Street Light Control System Using Microcontroller
 - Advantages of eBooks Over Traditional Books
2. Identifying Automatic Street Light Control System Using Microcontroller
 - Exploring Different Genres
 - Considering Fiction vs. Non-Fiction
 - Determining Your Reading Goals
3. Choosing the Right eBook Platform
 - Popular eBook Platforms
 - Features to Look for in an Automatic Street Light Control System Using Microcontroller
 - User-Friendly Interface
4. Exploring eBook Recommendations from Automatic Street Light Control System Using Microcontroller
 - Personalized Recommendations
 - Automatic Street Light Control System Using Microcontroller User Reviews and Ratings
 - Automatic Street Light Control System Using Microcontroller and Bestseller Lists

5. Accessing Automatic Street Light Control System Using Microcontroller Free and Paid eBooks
 - Automatic Street Light Control System Using Microcontroller Public Domain eBooks
 - Automatic Street Light Control System Using Microcontroller eBook Subscription Services
 - Automatic Street Light Control System Using Microcontroller Budget-Friendly Options
6. Navigating Automatic Street Light Control System Using Microcontroller eBook Formats
 - ePub, PDF, MOBI, and More
 - Automatic Street Light Control System Using Microcontroller Compatibility with Devices
 - Automatic Street Light Control System Using Microcontroller Enhanced eBook Features
7. Enhancing Your Reading Experience
 - Adjustable Fonts and Text Sizes of Automatic Street Light Control System Using Microcontroller
 - Highlighting and Note-Taking Automatic Street Light Control System Using Microcontroller
 - Interactive Elements Automatic Street Light Control System Using Microcontroller
8. Staying Engaged with Automatic Street Light Control System Using Microcontroller
 - Joining Online Reading Communities
 - Participating in Virtual Book Clubs
 - Following Authors and Publishers Automatic Street Light Control System Using Microcontroller
9. Balancing eBooks and Physical Books Automatic Street Light Control System Using Microcontroller
 - Benefits of a Digital Library
 - Creating a Diverse Reading Collection Automatic Street Light Control System Using Microcontroller
10. Overcoming Reading Challenges
 - Dealing with Digital Eye Strain
 - Minimizing Distractions
 - Managing Screen Time
11. Cultivating a Reading Routine Automatic Street Light Control System Using Microcontroller
 - Setting Reading Goals Automatic Street Light Control System Using Microcontroller
 - Carving Out Dedicated Reading Time
12. Sourcing Reliable Information of Automatic Street Light Control System Using Microcontroller
 - Fact-Checking eBook Content of Automatic Street Light Control System Using Microcontroller
 - Distinguishing Credible Sources
13. Promoting Lifelong Learning

- Utilizing eBooks for Skill Development
 - Exploring Educational eBooks
14. Embracing eBook Trends
- Integration of Multimedia Elements
 - Interactive and Gamified eBooks

Automatic Street Light Control System Using Microcontroller Introduction

In today's digital age, the availability of Automatic Street Light Control System Using Microcontroller books and manuals for download has revolutionized the way we access information. Gone are the days of physically flipping through pages and carrying heavy textbooks or manuals. With just a few clicks, we can now access a wealth of knowledge from the comfort of our own homes or on the go. This article will explore the advantages of Automatic Street Light Control System Using Microcontroller books and manuals for download, along with some popular platforms that offer these resources. One of the significant advantages of Automatic Street Light Control System Using Microcontroller books and manuals for download is the cost-saving aspect. Traditional books and manuals can be costly, especially if you need to purchase several of them for educational or professional purposes. By accessing Automatic Street Light Control System Using Microcontroller versions, you eliminate the need to spend money on physical copies. This not only saves you money but also reduces the environmental impact associated with book production and transportation. Furthermore, Automatic Street Light Control System Using Microcontroller books and manuals for download are incredibly convenient. With just a computer or smartphone and an internet connection, you can access a vast library of resources on any subject imaginable. Whether you're a student looking for textbooks, a professional seeking industry-specific manuals, or someone interested in self-improvement, these digital resources provide an efficient and accessible means of acquiring knowledge. Moreover, PDF books and manuals offer a range of benefits compared to other digital formats. PDF files are designed to retain their formatting regardless of the device used to open them. This ensures that the content appears exactly as intended by the author, with no loss of formatting or missing graphics. Additionally, PDF files can be easily annotated, bookmarked, and searched for specific terms, making them highly practical for studying or referencing. When it comes to accessing Automatic Street Light Control System Using Microcontroller books and manuals, several platforms offer an extensive collection of resources. One such platform is Project Gutenberg, a nonprofit organization that provides over 60,000 free eBooks. These books are primarily in the public domain, meaning they can be freely distributed and downloaded. Project Gutenberg offers a wide range of classic literature, making it an excellent resource for literature enthusiasts. Another popular platform for Automatic Street Light Control System Using Microcontroller books and manuals is Open Library. Open Library is an initiative of the Internet Archive, a non-profit

organization dedicated to digitizing cultural artifacts and making them accessible to the public. Open Library hosts millions of books, including both public domain works and contemporary titles. It also allows users to borrow digital copies of certain books for a limited period, similar to a library lending system. Additionally, many universities and educational institutions have their own digital libraries that provide free access to PDF books and manuals. These libraries often offer academic texts, research papers, and technical manuals, making them invaluable resources for students and researchers. Some notable examples include MIT OpenCourseWare, which offers free access to course materials from the Massachusetts Institute of Technology, and the Digital Public Library of America, which provides a vast collection of digitized books and historical documents. In conclusion, Automatic Street Light Control System Using Microcontroller books and manuals for download have transformed the way we access information. They provide a cost-effective and convenient means of acquiring knowledge, offering the ability to access a vast library of resources at our fingertips. With platforms like Project Gutenberg, Open Library, and various digital libraries offered by educational institutions, we have access to an ever-expanding collection of books and manuals. Whether for educational, professional, or personal purposes, these digital resources serve as valuable tools for continuous learning and self-improvement. So why not take advantage of the vast world of Automatic Street Light Control System Using Microcontroller books and manuals for download and embark on your journey of knowledge?

FAQs About Automatic Street Light Control System Using Microcontroller Books

1. Where can I buy Automatic Street Light Control System Using Microcontroller books? Bookstores: Physical bookstores like Barnes & Noble, Waterstones, and independent local stores. Online Retailers: Amazon, Book Depository, and various online bookstores offer a wide range of books in physical and digital formats.
2. What are the different book formats available? Hardcover: Sturdy and durable, usually more expensive. Paperback: Cheaper, lighter, and more portable than hardcovers. E-books: Digital books available for e-readers like Kindle or software like Apple Books, Kindle, and Google Play Books.
3. How do I choose a Automatic Street Light Control System Using Microcontroller book to read? Genres: Consider the genre you enjoy (fiction, non-fiction, mystery, sci-fi, etc.). Recommendations: Ask friends, join book clubs, or explore online reviews and recommendations. Author: If you like a particular author, you might enjoy more of their work.
4. How do I take care of Automatic Street Light Control System Using Microcontroller books? Storage: Keep them away from direct sunlight and in a dry environment. Handling: Avoid folding pages, use bookmarks, and handle them with clean hands. Cleaning: Gently dust the covers and pages occasionally.

5. Can I borrow books without buying them? Public Libraries: Local libraries offer a wide range of books for borrowing. Book Swaps: Community book exchanges or online platforms where people exchange books.
6. How can I track my reading progress or manage my book collection? Book Tracking Apps: Goodreads, LibraryThing, and Book Catalogue are popular apps for tracking your reading progress and managing book collections. Spreadsheets: You can create your own spreadsheet to track books read, ratings, and other details.
7. What are Automatic Street Light Control System Using Microcontroller audiobooks, and where can I find them? Audiobooks: Audio recordings of books, perfect for listening while commuting or multitasking. Platforms: Audible, LibriVox, and Google Play Books offer a wide selection of audiobooks.
8. How do I support authors or the book industry? Buy Books: Purchase books from authors or independent bookstores. Reviews: Leave reviews on platforms like Goodreads or Amazon. Promotion: Share your favorite books on social media or recommend them to friends.
9. Are there book clubs or reading communities I can join? Local Clubs: Check for local book clubs in libraries or community centers. Online Communities: Platforms like Goodreads have virtual book clubs and discussion groups.
10. Can I read Automatic Street Light Control System Using Microcontroller books for free? Public Domain Books: Many classic books are available for free as they're in the public domain. Free E-books: Some websites offer free e-books legally, like Project Gutenberg or Open Library.

Find Automatic Street Light Control System Using Microcontroller :

2004 cr125 service manual synergysalontallahassee

25 weirdest animals in the world amazing facts photos and video links to the strangest creatures on the planet 25 amazing animals series book 1

[2210760682 bfr26](#)

2010 peugeot 207 s english

6th grade math practice workbook

3 secrets on how male porn stars enlarge their penis

4 waves aqa physics exam style questions

2008 audi a8 quattro owners manual skrsat

[2004 2009 suzuki dl650 dl650a abs v strom workshop service repair manual 2004 2005 2006 2007 2008 2009](#)

[250 poems a portable anthology](#)

[27th annual report 201516](#)

[2008 mitsubishi lancer x service repair manual fleshore](#)

[2kd engines](#)

600 motorcycle rotax engine

[4g technology paper presentation in ieee format](#)

Automatic Street Light Control System Using Microcontroller :

the signifying monkey a theory of african american literary - May 18 2023

web the signifying monkey a theory of african american literary criticism henry louis gates

[can monkeys that survived hurricane maria teach us about](#) - Oct 31 2021

web nov 6 2023 how monkeys came to monkey island in the 1930s american primatologist clarence carpenter wanted to create a naturalistic research facility to study the primates social and sexual behaviors

the signifying monkey a theory of african american literary - Aug 21 2023

web jul 23 2014 the signifying monkey continues to signify wole soyinka the signifying monkey is a trailblazing act of the critical imagination a bold and brilliant reshaping of the african american literary and cultural tradition that has redrawn the map of american studies

the signifying monkey wikipedia - Sep 22 2023

web the book traces the folkloric origins of the african american cultural practice of signifying and uses the concept of signifying to analyze the interplay between texts of prominent african american writers specifically richard wright ralph ellison zora neale hurston and ishmael reed

the signifying monkey a theory of african american literary - Jun 19 2023

web jun 24 2014 hailed in the new york times book review as eclectic exciting convincing provocative and in the

the signifying monkey a theory of african american literary - Nov 12 2022

web the second volume in an enterprising trilogy on african american literature the signifying monkey which expands the arguments of figures in black makes an important contribution to

amazon com the signifying monkey a theory of african american - Jun 07 2022

web jun 24 2014 henry louis gates jr the signifying monkey a theory of african american literary criticism kindle edition by henry louis gates jr author format kindle edition 4 7 96 ratings see all formats and editions kindle 9 99 hardcover 93 95 13 used from 17 78 2 collectible from 85 00 paperback 18 56 18 79 24 used from 6 68 26 new

[the signifying monkey towards a theory of afro american](#) - Oct 23 2023

web the racial self 1987 and the signifying monkey a theory of afro american literary criticism 1988 signifying is the practice of representing an idea indirectly through a commentary that is often humorous boastful insulting or provocative

[the signifying monkey a theory of african american literary criticism](#) - Dec 01 2021

web jul 23 2014 the signifying monkey a theory of african american literary criticism by henry louis gates jr write a review paperback twenty fifth anniversary edition 21 99 paperback 21 99 ebook 10 99 view all available formats editions ship this item qualifies for free shipping choose expedited shipping at checkout for delivery by

the signifying monkey a theory of afro american literary - Feb 03 2022

web bibliography p 259 280 includes index a myth of origins esu elegbara and the signifying monkey the signifying monkey and the language of signifying rhetorical difference and the orders of meaning figures of signification thr trope of the talking book zora neale hurston and the speakerly text on the blackness of blackness

the signifying monkey a theory of african american lit - Dec 13 2022

web jan 1 2001 3 98 435 ratings24 reviews henry louis gates jr s original groundbreaking study explores the relationship between the african and african american vernacular traditions and black literature elaborating a new critical approach located within this tradition that allows the black voice to speak for itself

the signifying monkey summary supersummary - Sep 10 2022

web plot summary the signifying monkey henry louis gates jr nonfiction book adult published in 1988 plot summary the signifying monkey a theory of african american literary criticism is a groundbreaking work of literary theory by revered african american scholar henry louis gates jr

why does this hybrid monkey glow green scientific american - Sep 29 2021

web nov 10 2023 although the greenish glow is evident in released images of the monkey the researchers created it isn t so green as to suggest that 60 percent of the monkey s cells came from donor material

the signifying monkey a theory of by gates jr henry louis - Oct 11 2022

web dec 14 1989 the second volume in an enterprising trilogy on african american literature the signifying monkey which expands the arguments of figures in black makes an important contribution to literary theory african american literature folklore and literary history read more isbn 10 019506075x

the signifying monkey a theory of african american literary - Mar 16 2023

web oxford university press dec 14 1989 literary criticism 320 pages the signifying monkey is the first book of literary criticism to trace the roots of contemporary black literature to

the signifying monkey a theory of african american literary criticism - Jul 08 2022

web examining the ancient poetry and myths found in african latin american and caribbean culture and particularly the

yoruba trickster figure of esu elegbara and the signifying monkey whose myths help articulate the black tradition s theory of its literature gates uncovers a unique system of interpretation and a powerful vernacular tradition

the signifying monkey a theory of afro american literary - May 06 2022

web hailed in the new york times book review as eclectic exciting convincing provocative and in the washington post book world as brilliantly original henry louis gates jr s the signifying monkey is a groundbreaking work that illuminates the relationship between the african and african american vernacular traditions and black literature

the signifying monkey a theory of afro american literary - Feb 15 2023

web scholars in the field of literary theory have defined clearly the role of signifying in african american literature this article identifies one aspect of the signifying tradition and its influence expand

[the signifying monkey a theory of african american literary](#) - Jan 14 2023

web the second volume in a ground breaking trilogy on afro american literature the signifying monkey explores the relationships between the african and afro american vernacular traditions and black literature elaborating a new critical approach located within this tradition that allows the black voice to speak for itself

the signifying monkey a theory of african american literary - Apr 17 2023

web jan 1 2014 hailed in the new york times book review as eclectic exciting convincing provocative and in the washington post book world as brilliantly original henry louis gates jr s the signifying monkey is a groundbreaking work that illuminates the relationship between the african and african american vernacular traditions and black

the signifying monkey a theory of african american literary - Mar 04 2022

web the signifying monkey a theory of african american literary criticism henry louis gates jr pronde s the critical framework to examine several major works including their eyes were watching god by zora neale hurston invisible man by ralph ellison and mumbo jumbo by ishmael reed

the signifying monkey a theory of afro american literary - Jul 20 2023

web english xxviii 290 pages 25 cm henry louis gates jr s original groundbreaking study explores the relationship between the african and african american vernacular traditions and black literature elaborating a new critical approach located within this tradition that allows the black voice to speak for itself

the signifying monkey a theory of african american literary - Apr 05 2022

web henry louis gates jr s original groundbreaking study explores the relationship between the african and african american vernacular traditions and black literature elaborating a new critical apprao

[the signifying monkey a theory of african american literary](#) - Aug 09 2022

web the second volume in an enterprising trilogy on african american literature the signifying monkey which expands the

arguments of figures in black makes an important contribution to literary theory african american literature folklore and literary history

the signifying monkey a theory of afro american literary - Jan 02 2022

web the signifying monkey a theory of afro american literary criticism summary henry louis gates jr s original groundbreaking study explores the relationship between the african and african american vernacular traditions and black literature elaborating a new critical approach located within this tradition that allows the black voice to

ford 2000 3000 4000 5000 operators service manual tractor - Jun 16 2023

web 19078764 ford tractor models 2000 3000 4000 and 5000 operators service manual text free download as pdf file pdf text file txt or view presentation slides online

ford tractor models 2000 3000 4000 and 5000 operators - Apr 14 2023

web download 30 ford tractor pdf manuals user manuals ford tractor operating guides and service manuals

ford 3000 tractor manuals service repair owners parts - Jan 11 2023

web this is a complete service manual contains all necessary instructions needed for any repair your ford 3000 tractor may require service manual for ford 3000 tractor

ford 3000 tractors service repair manuals emanualonline - Oct 08 2022

web user manual view the manual for the ford 3000 here for free this manual comes under the category tractors and has been rated by 47 people with an average of a 8 7 this

ford 3000 manuals and user guides tractor manuals all - Mar 13 2023

web service manual svc the service manual a k a shop manual or repair manual tells you how to take the ford tractor apart fix it and put it back together it is written in the

download free ford 3000 tractor service repair manual ford - Mar 01 2022

web jan 17 2018 ford 3000 tractor service manual download ford 3000 tractor service manual free ford 3000 tractor service manual full ford 3000 tractor service

1966 ford 3000 tractor service repair manual issuu - Jan 31 2022

web electronics service manual exchange schematics datasheets diagrams repairs schema service manuals eeprom bins pcb as

ford 3000 tractor workshop repair service manual - Nov 09 2022

web ford 3000 service manual this is a service manual for the ford 3000 with 763 pages of important information pertaining to your ford tractor full description 3000 gas and

ford 3000 tractor manual service manual free - Nov 28 2021

ford tractor models 2000 3000 4000 and 5000 operator s - May 15 2023

web ford 3000 manuals user guides user manuals guides and specifications for your ford 3000 tractor database contains 3 ford 3000 manuals available for free online viewing

ford 3000 user manual 116 pages - Aug 06 2022

web description 1965 1975 ford 3000 series tractor service shop manual parts catalog owners operators manual 4 manuals the following 4 manuals are

ford 3000 tractor workshop service manual for repair - Jul 05 2022

web 46 32 07 1 16 of 221 results for ford 3000 tractor manual results ford shop manual series 2000 3000 4000 1975 i t shoppervice by editors of haynes manuals

19078764 ford tractor models 2000 3000 4000 and - Aug 18 2023

web sep 10 2021 14649 views 4 replies 5 participants last post by deerhide sep 10 2021 c chris lifetime premium discussion starter jun 4 2017 edited by moderator this is

user manual ford 3000 116 pages - Jul 17 2023

web ford tractor models 2000 3000 4000 and 5000 operator s service manual free download as pdf file pdf or view presentation slides online ford model 2000 3000

ford 3000 service manual yesterday s tractors - Sep 07 2022

web ford 3000 tractor service repair manual meets all your information needs to repair or make some adjustments to your ford 3000 tractor service repair manual this

1969 ford 3000 tractor service repair manual issuu - Apr 02 2022

web sep 16 2019 read 1966 ford 3000 tractor service repair manual by 16365432 on issuu and browse thousands of other publications on our platform start here

ford 3000 tractor service manual by o603 issuu - Dec 30 2021

web sep 25 2017 ford 3000 tractor service manual download ford 3000 tractor service manual free ford 3000 tractor service manual full ford 3000 tractor service

ford 3000 tractor service manual it shop amazon com - Dec 10 2022

web our 3000 ford tractors workshop manuals contain in depth maintenance service and repair information get your emanual now

ford tractor user manuals download manualslib - Feb 12 2023

web feb 27 2019 ford 3000 tractor service manual it shop brand jensales 5 0 4 ratings currently unavailable we don t know when or if this item will be back in stock additional

[ford 3000 tractor service manual by raytaylor2479 issuu](#) - Oct 28 2021

ford 3000 series manuals manualslib - Sep 19 2023

web view the manual for the ford 3000 here for free this manual comes under the category tractors and has been rated by 47 people with an average of a 8 7 this manual is

amazon com ford 3000 tractor manual - May 03 2022

web ford 3000 3 cylinder tractor service parts catalog owners 6 manuals 1965 75 download ford 3000 series 3 cylinder tractors service manual shop manual parts

ford 3000 tractor service parts owners manual 4 manuals - Jun 04 2022

web aug 2 2018 read 1969 ford 3000 tractor service repair manual by 163961dd2 on issuu and browse thousands of other publications on our platform start here issuu

san sebastian michelin city plan 84 city plans by not - Mar 09 2023

web find many great new used options and get the best deals for san sebastian michelin city plan 84 city plans by not available sheet map 2008 at the best online prices at

[michelin city plan 84 buy san sebastian flipkart](#) - Jul 01 2022

web san sebastian michelin city plan 84 by unknown from flipkart com only genuine products 30 day replacement guarantee free shipping cash on delivery

san sebastian michelin city plan 84 city plans michelin city - Aug 14 2023

web jan 2 2008 buy san sebastian michelin city plan 84 city plans michelin city plans 84 2017 by michelin isbn 9782067127968 from amazon s book store

san sebastian cheesecake tarifi ve püf noktaları - Sep 22 2021

san sebastian city plan michelin city plans 84 by michelin - Apr 10 2023

web find many great new used options and get the best deals for san sebastian city plan michelin city plans 84 by michelin sheet map folded at the best online prices at

san Sebastián michelin restaurants the michelin guide - Jan 27 2022

web starred restaurants bib gourmand and all the michelin restaurants in donostia san Sebastián on the michelin guide s official website michelin inspector reviews and

san sebastian city plan michelin city plans goodreads - Apr 29 2022

web 1 pages map published january 2 2008 book details editions

san sebastian michelin city plan 84 city plans pl pdf azenza - Oct 04 2022

web dec 3 2022 sebastian michelin city plan 84 city plans pl can be taken as competently as picked to act norms and space understanding public space regulation in the

san sebastian michelin city plan 84 sheet map - Sep 03 2022

web michelin city plans come in practical formats paper laminated and accordian folds suited for tourist use and with clear precise mapping starting at 1 8000 scale and upwards

san sebastian michelin city plan 84 city plans map amazon - Aug 02 2022

web san sebastian michelin city plan 84 city plans amazon sg books skip to main content sg hello select your address all search amazon sg en hello sign in account

san sebastian michelin city plan 84 city plans hive co uk - Jun 12 2023

web discover san sebastian by foot car or bike using michelin san sebastian city plan scale 1 9 000 cm in addition to michelin s clear and accurate mapping this city plan

metropol kentsel tasarım ve planlama İstanbul türkiye - Nov 24 2021

web welcome to the villa san sebastiano google satellite map this place is situated in laquila abruzzo italy its geographical coordinates are 42 1 0 north 13 18 0 east and its

san sebastian michelin city plan 84 waterstones - Feb 08 2023

web jan 2 2008 buy san sebastian michelin city plan 84 from waterstones today click and collect from your local waterstones or get free uk delivery on orders over 25

villa san sebastiano map italy google satellite maps - Oct 24 2021

web oct 20 2020 san sebastian cheesecake tarifi püf noktaları artık san sebastian cheesecake tarifine dair bilmeniz gerekenleri öğrendiğimize göre bundan sonraki

san sebastian michelin city plan 84 city plans michelin - Dec 06 2022

web san sebastian michelin city plan 84 city plans michelin editions des voyages booky fi

michelin san sebastián map viamichelin - Dec 26 2021

web metropol kentsel tasarım İstanbul da planlamanın yanında harita mühendisliği mimarlık ve peyzaj mimarlığı kentsel tasarım projeleri yapmaktadır

download solutions san sebastian michelin city plan 84 city - Jan 07 2023

web san sebastian michelin city plan 84 city plans pl the law of city planning and zoning apr 04 2023 hospital city health care nation sep 16 2021 hospital city health

san sebastian city plan michelin city plans written by michelin - May 31 2022

web buy san sebastian city plan michelin city plans written by michelin 2008 edition 1st edition publisher michelin france map by michelin isbn 8601416386973

michelin san sebastian map viamichelin - Mar 29 2022

web the viamichelin map of donostia san sebastián get the famous michelin maps the result of more than a century of mapping experience san sebastian is located in españa

tourist map of san sebastian plan touristique de saint sébastien - Feb 25 2022

web donostia san sebastián t 943 429 214 10 00 a 05 00 h casinokursaal com calle 31 de agosto parte vieja t 943 426 394 août 2013 august barlacepa com musée

buy san sebastian michelin city plan 84 city plans michelin - May 11 2023

web amazon in buy san sebastian michelin city plan 84 city plans michelin city plans book online at best prices in india on amazon in read san sebastian michelin city

san sebastian michelin city plan 84 city plans michelin - Jul 13 2023

web san sebastian michelin city plan 84 city plans michelin city plans 84 by michelin at abebooks co uk isbn 10 2067127969 isbn 13 9782067127968 michelin maps

san sebastian michelin city plan 84 city plans pl pdf - Nov 05 2022

web san sebastian michelin city plan 84 city plans pl pdf is available in our digital library an online right of entry to it is set as public fittingly you can download it instantly